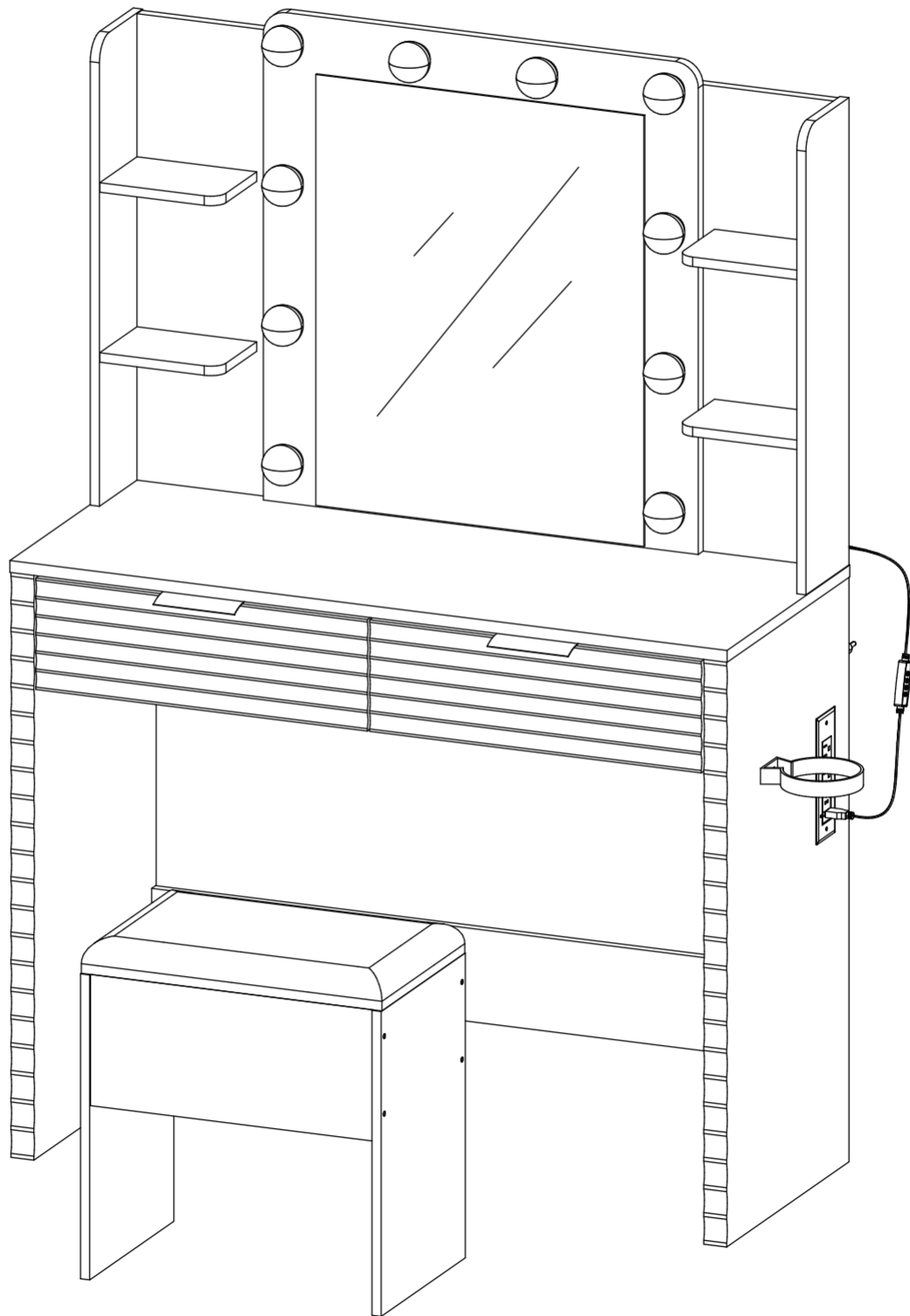
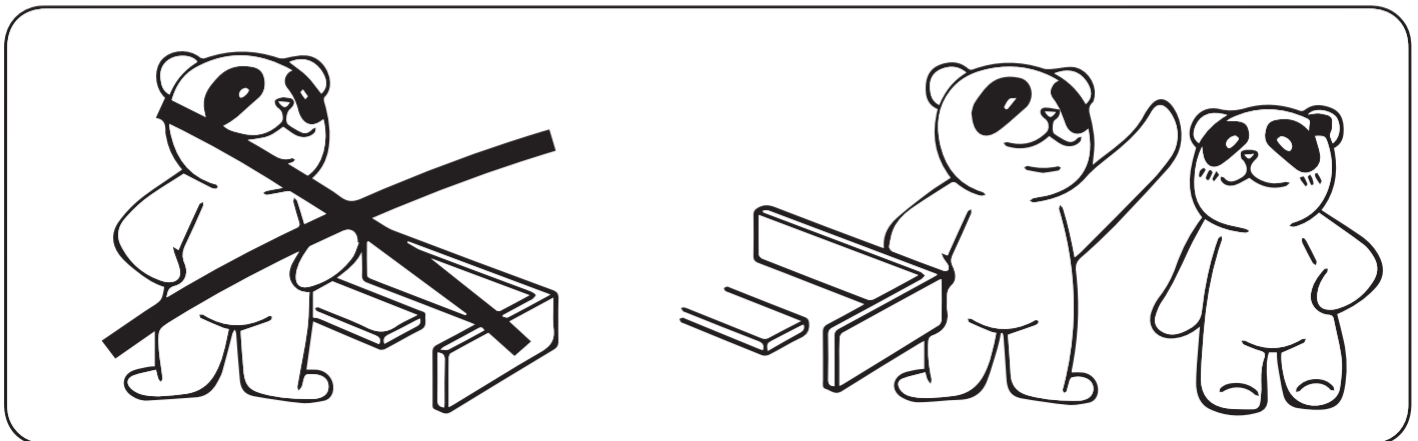
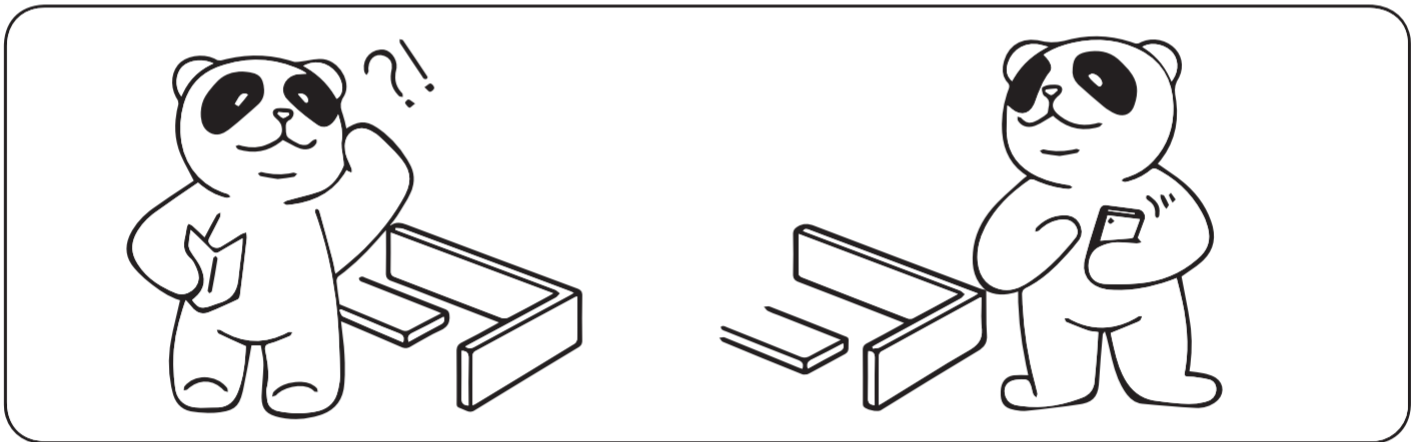
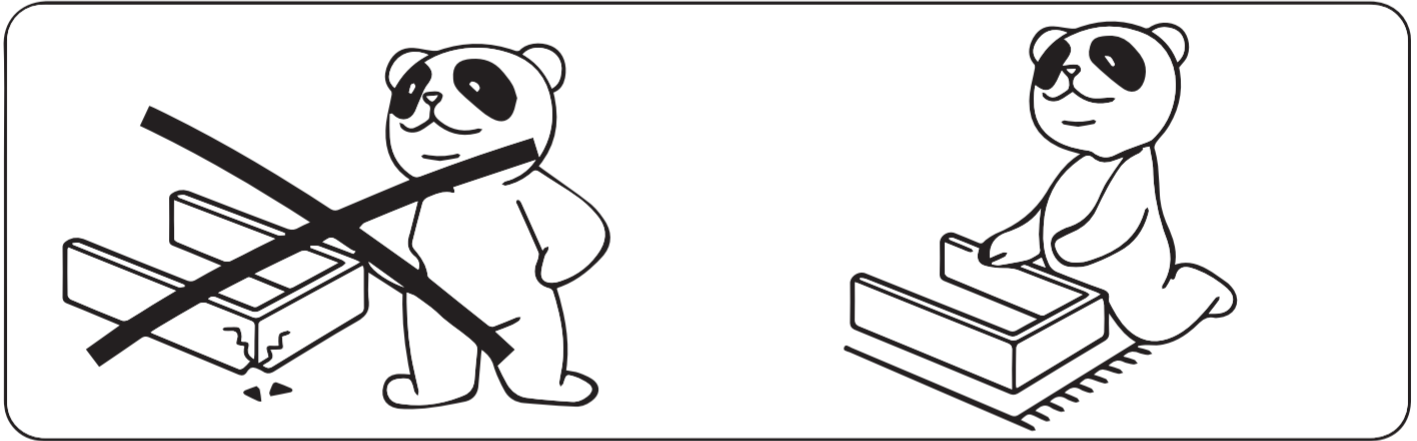
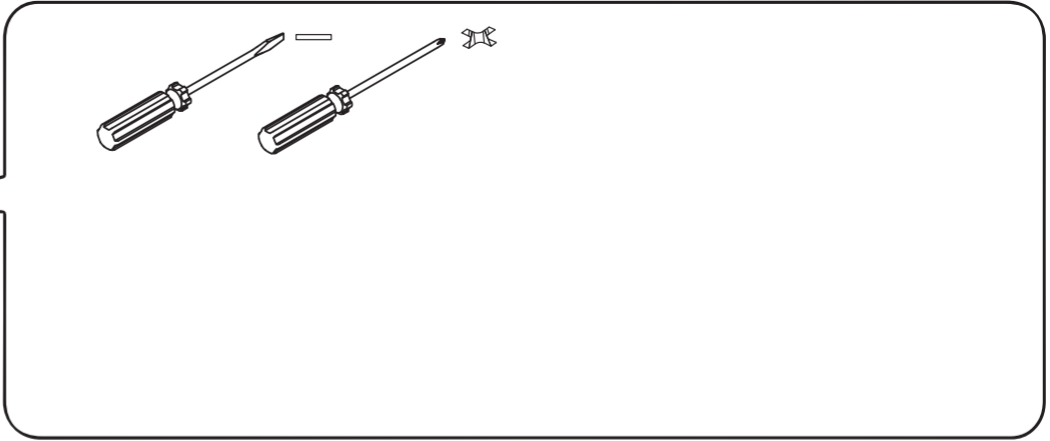
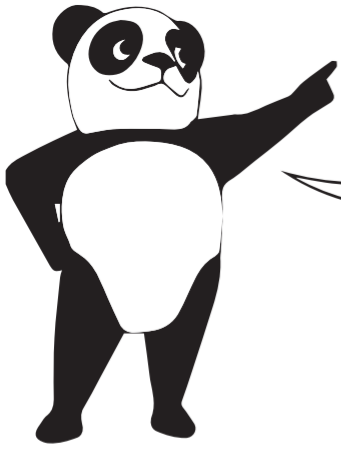








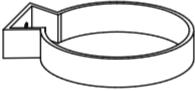
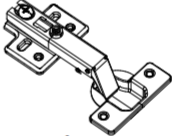


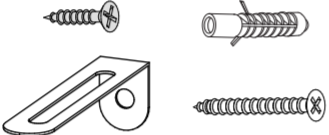

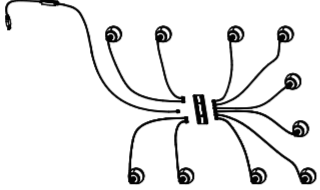

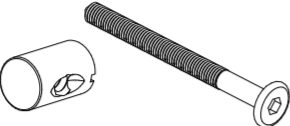
# Assembly Instruction

SKU:N704P340251B

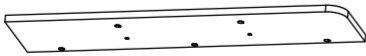
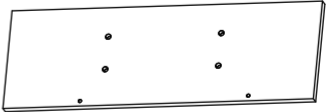

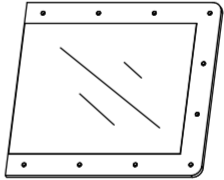



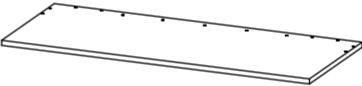
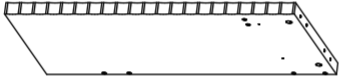
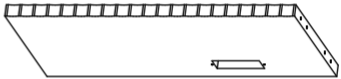
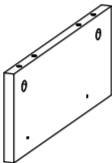
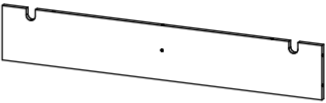








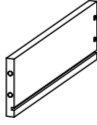
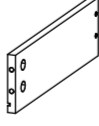



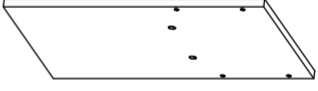
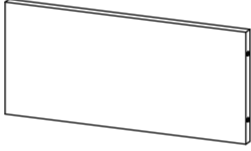
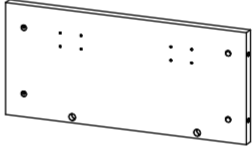
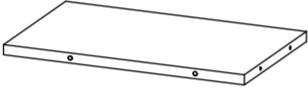
# Installation Parts

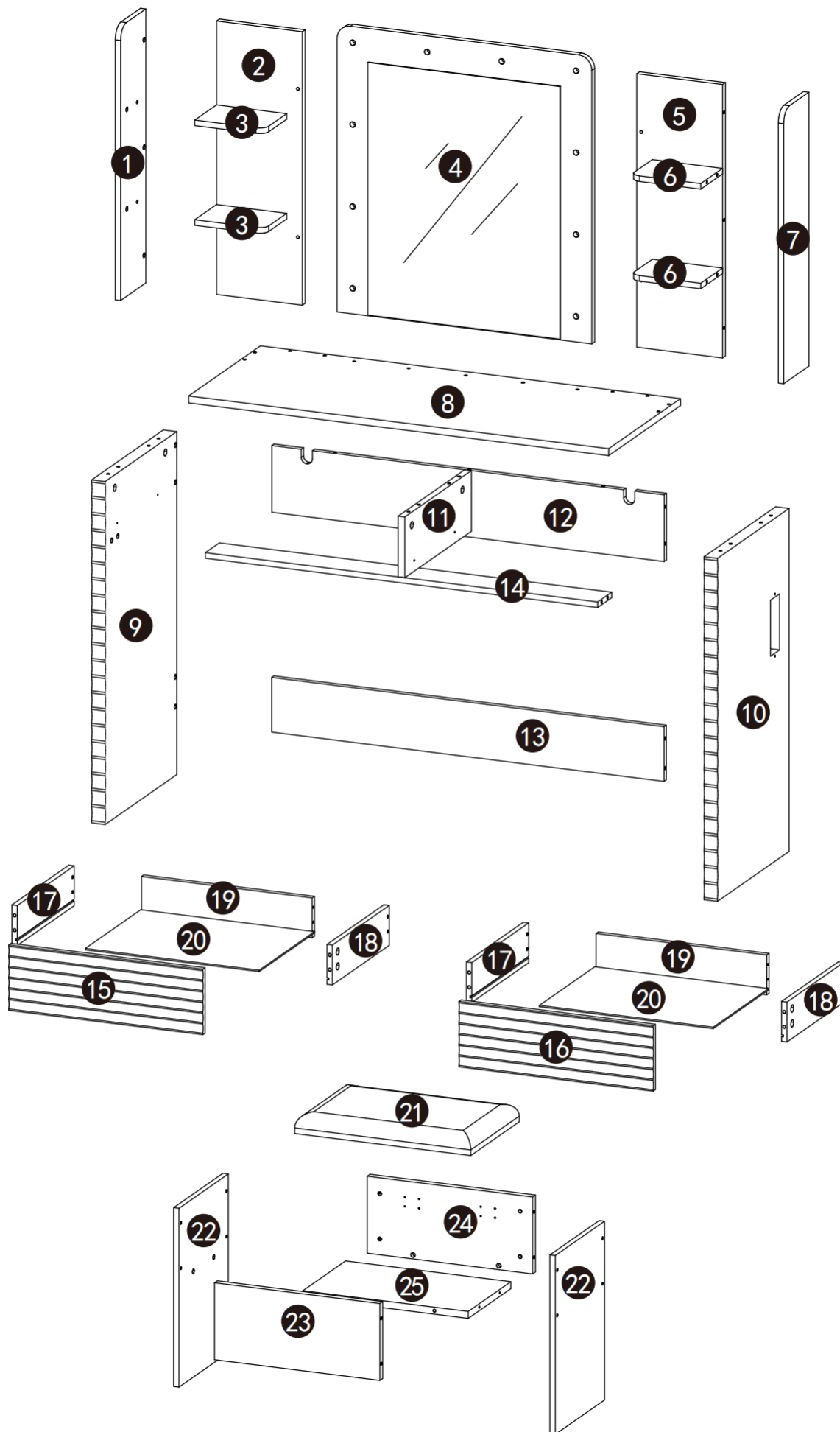
Item no.	Reference Image	Qty.	Item no.	Reference Image	Qty.
<b>A</b>	 6x35	x55	<b>B</b>	 15x11	x55
<b>C</b>	<b>CL+CR+DL+DR</b>  12inches	x2	<b>D</b>	 6x30	x12
<b>E</b>	 M3.5x12	x38	<b>F</b>	 M5x40/#3	x22
<b>G</b>		x1	<b>H</b>	 Hinge	x2
<b>I</b>		x1	<b>J</b>		x2
<b>K</b>		x2	<b>L</b>		x8
<b>M</b>		x1	<b>N</b>	 M6x25	x4
<b>O</b>		x8			

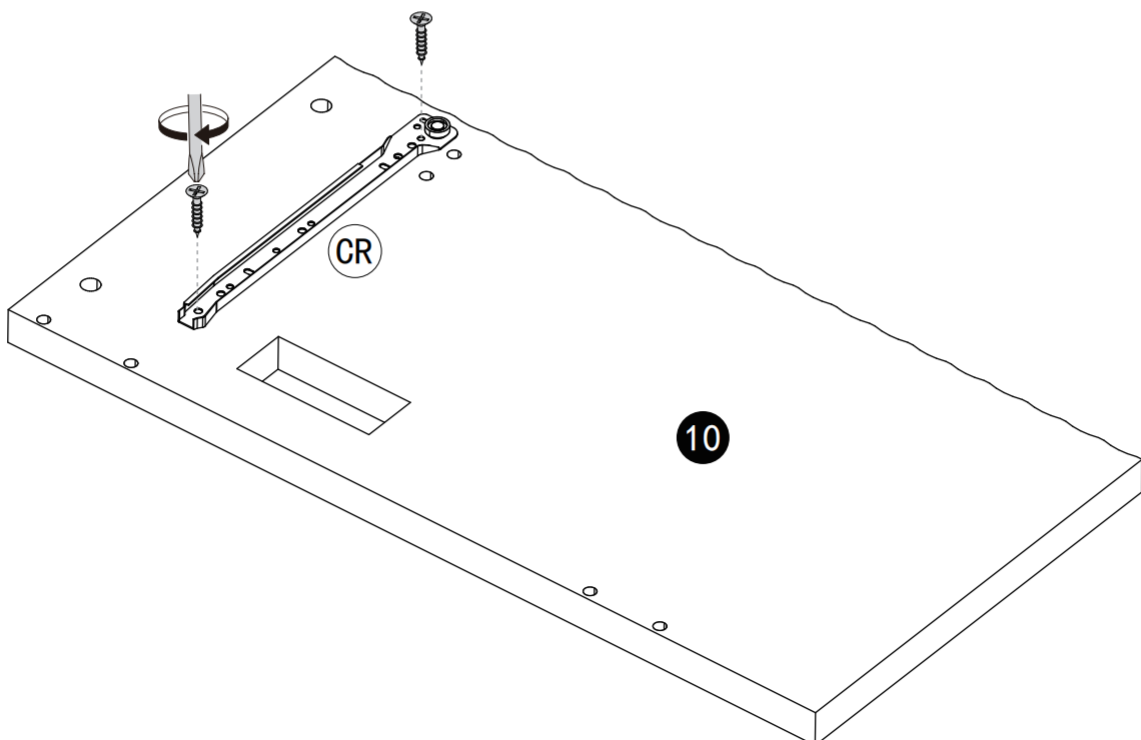
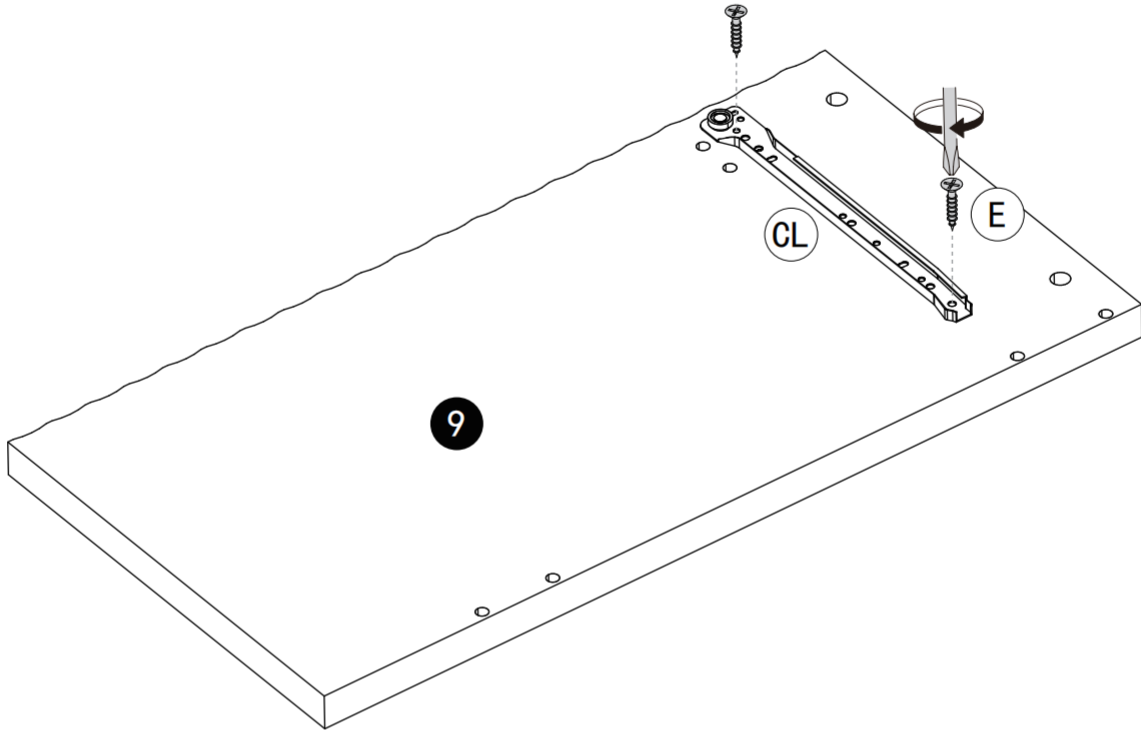
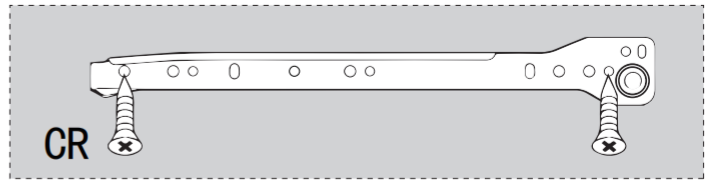
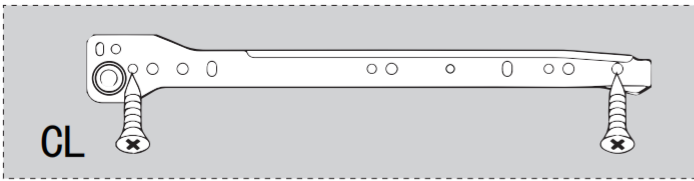
# Mounting Frame

Item no.	Reference Image	Qty.	Item no.	Reference Image	Qty.
1		x1	2		x1
3		x2	4		x1
5		x1	6		x2
7		x1	8		x1
9		x1	10		x1
11		x1	12		x1
13		x1	14		x1
15		x1	16		x1

# Mounting Frame

Item no.	Reference Image	Qty.	Item no.	Reference Image	Qty.
<b>17</b>		x2	<b>18</b>		x2
<b>19</b>		x2	<b>20</b>		x2
<b>21</b>		x1	<b>22</b>		x2
<b>23</b>		x1	<b>24</b>		x1
<b>25</b>		x1			



**1****YOU WILL NEED****CL x1****CR x1****E x4**

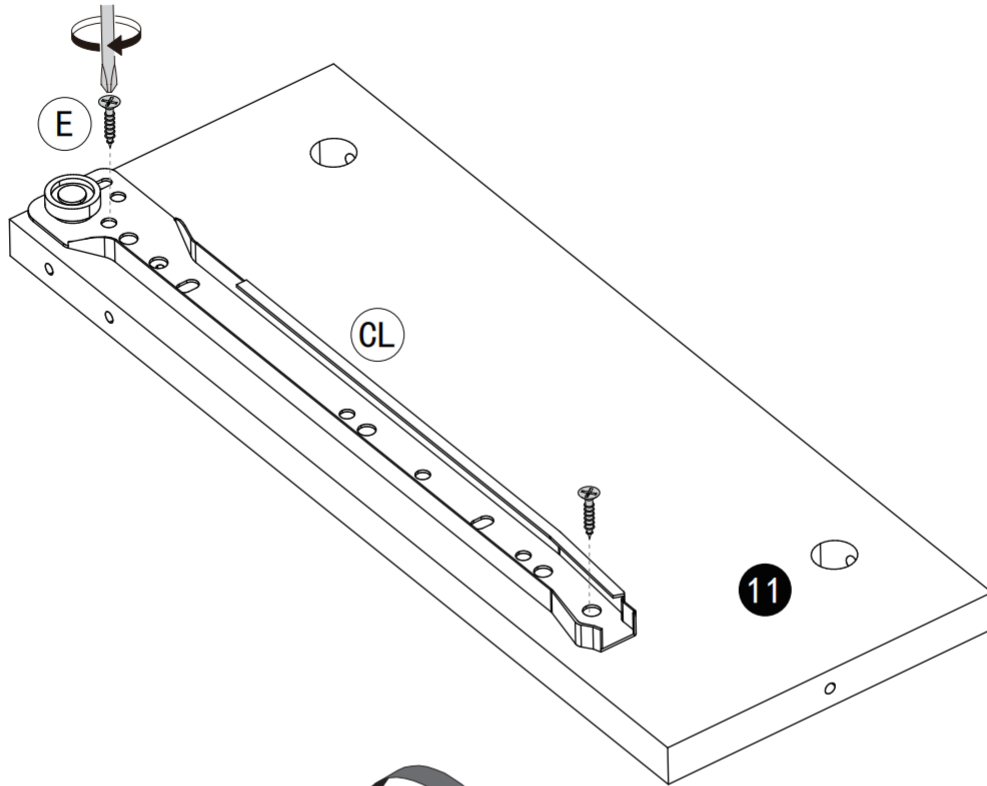
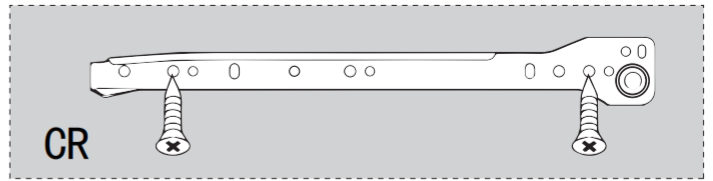
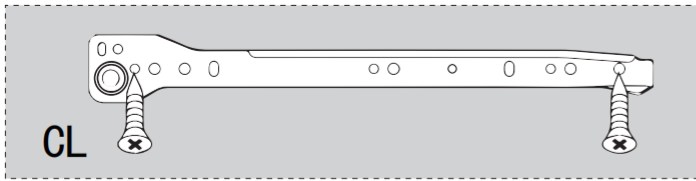
2

YOU WILL NEED

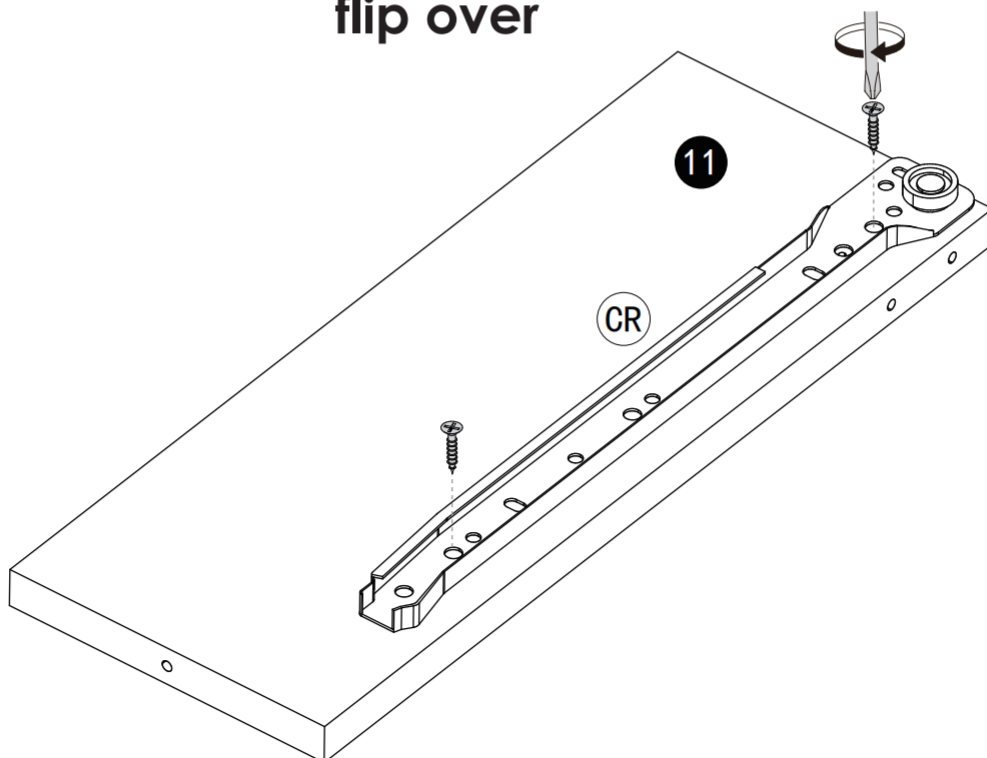
CL x1

CR x1

E x4



flip over



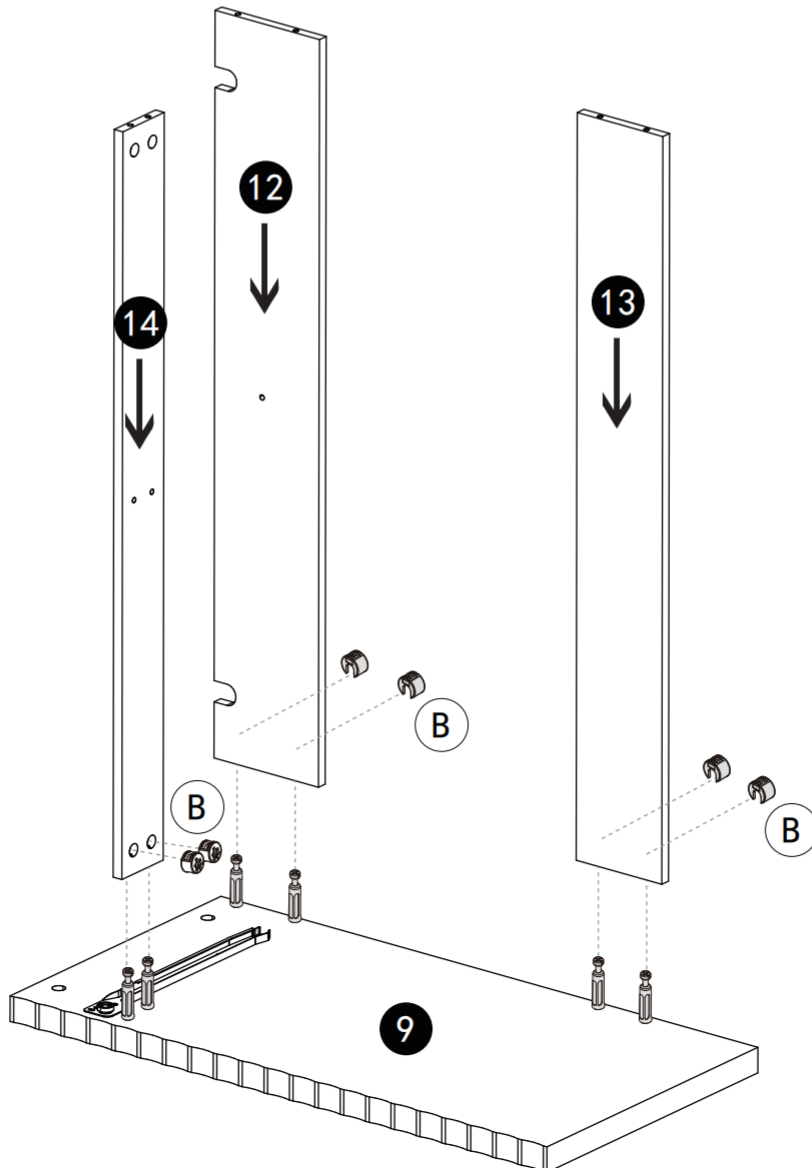
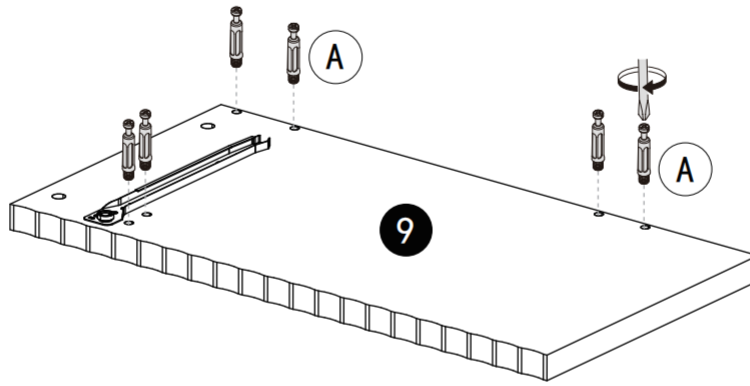
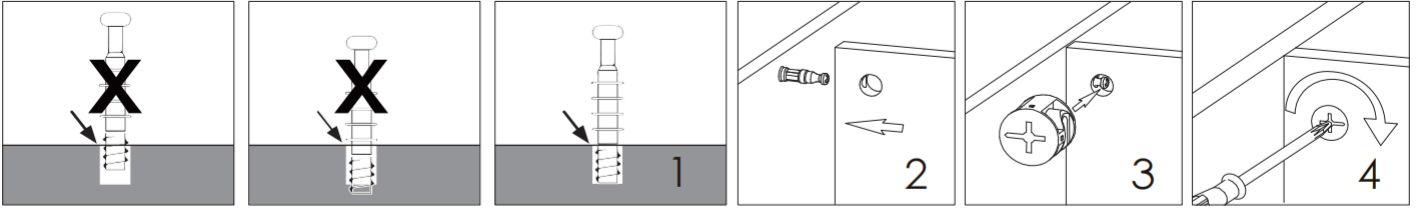
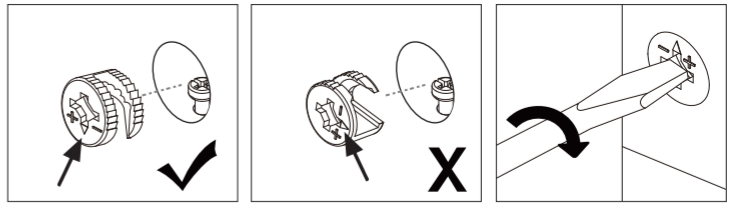
# 3

## YOU WILL NEED

A x6

B x6

Installation method of three in one rod and buckle

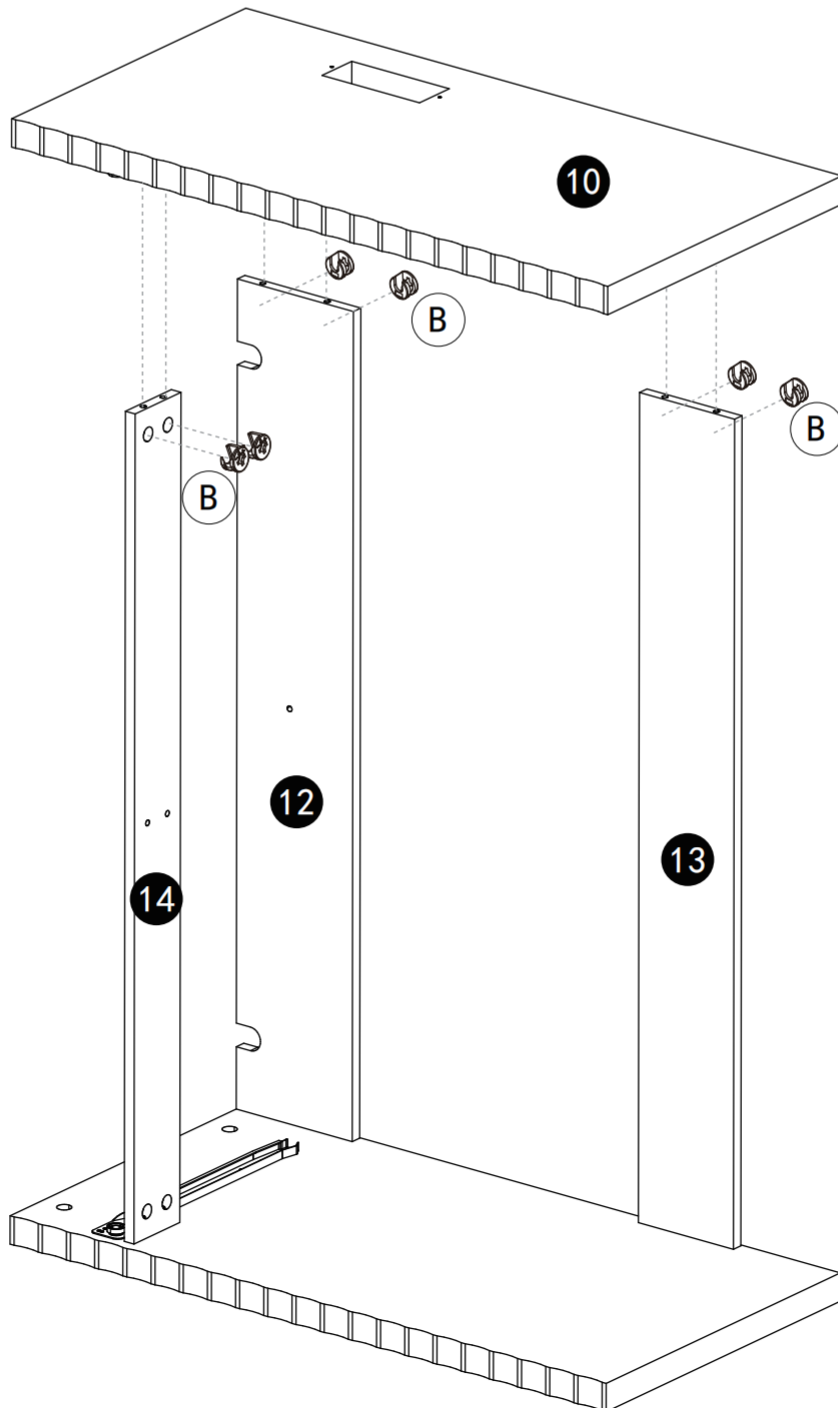
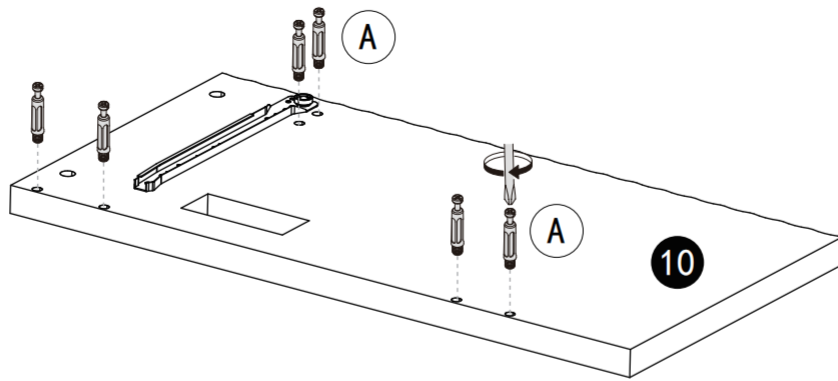


4

YOU WILL NEED

A x6

B x6



5

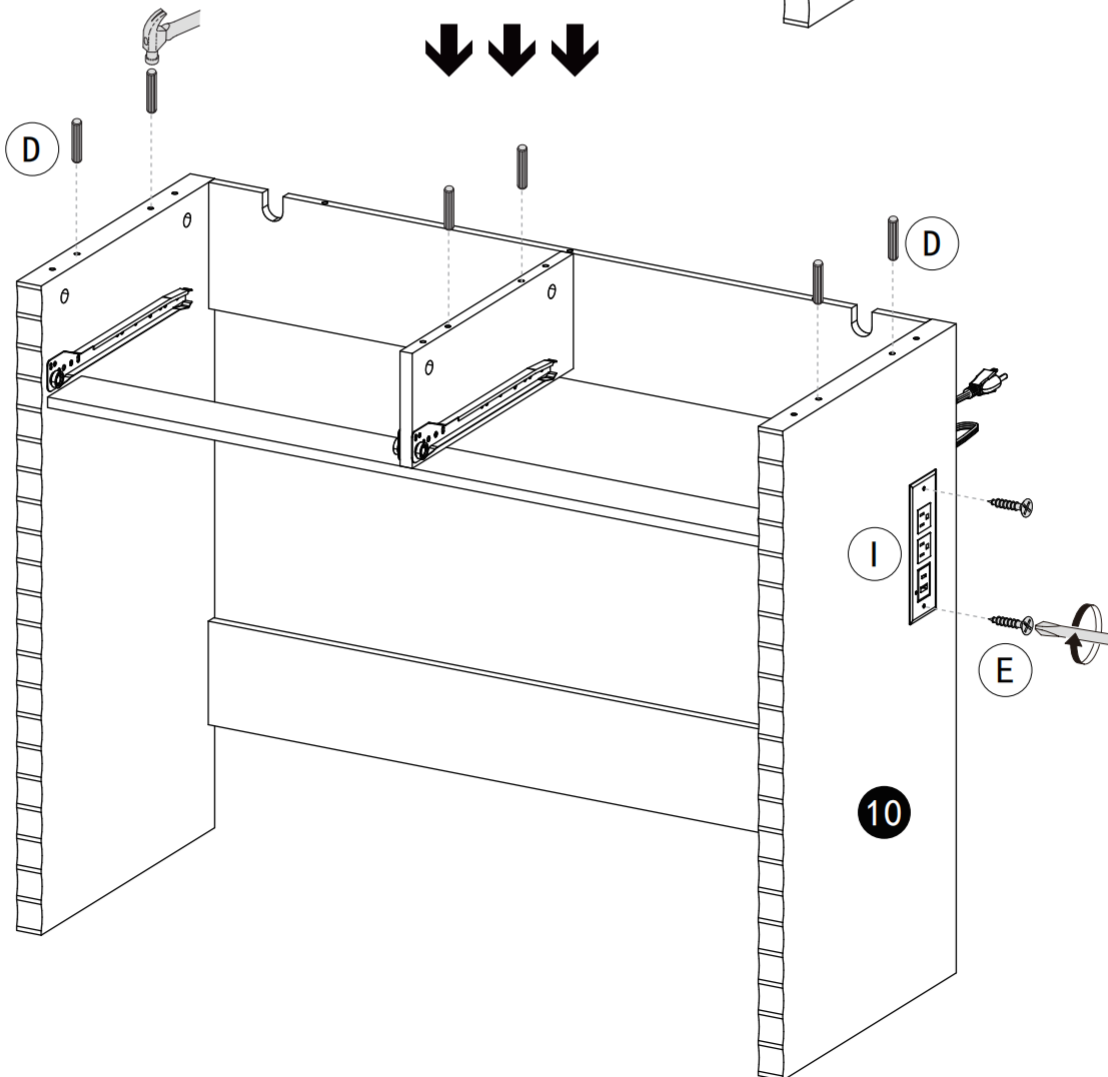
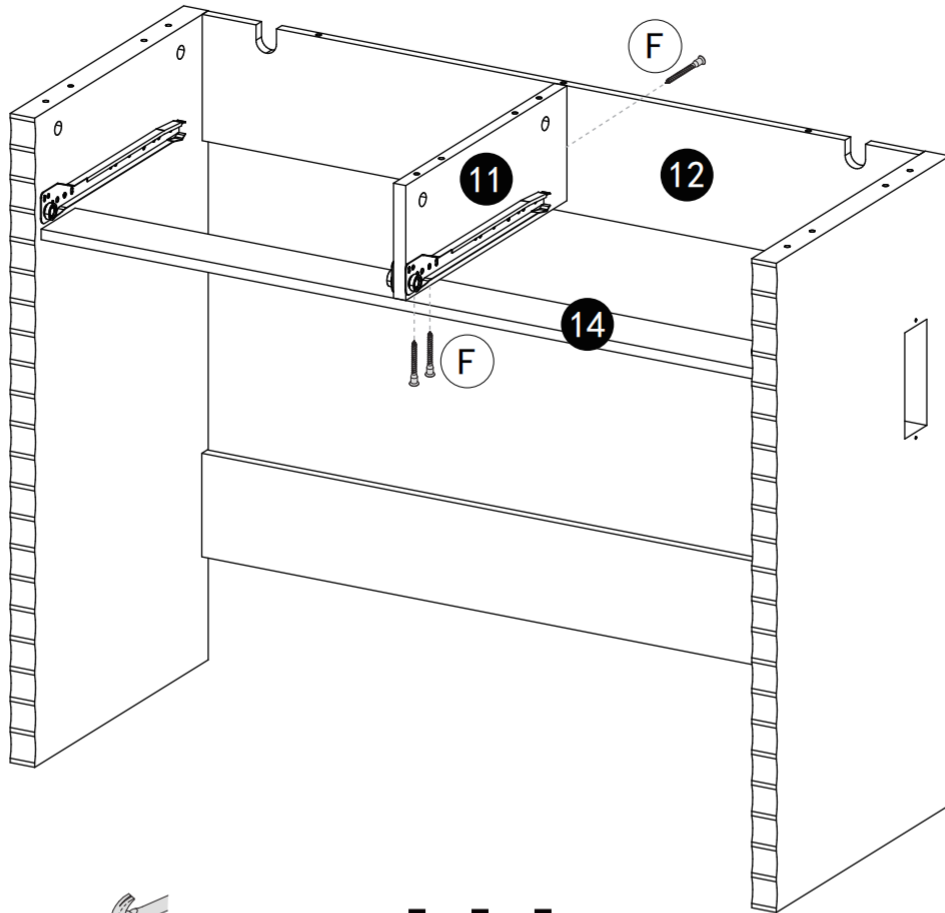
YOU WILL NEED

F x3

E x2

I x1

D x6



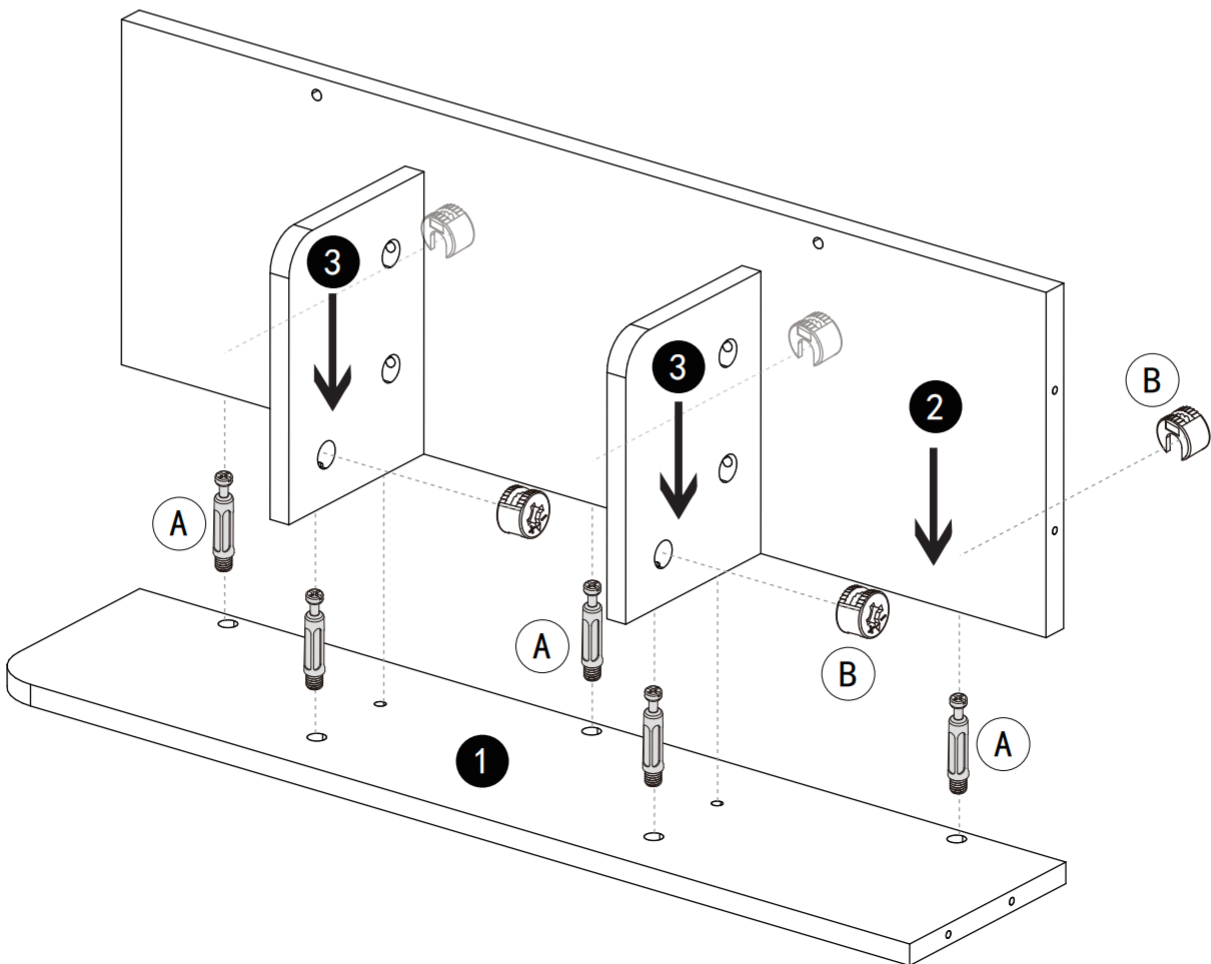
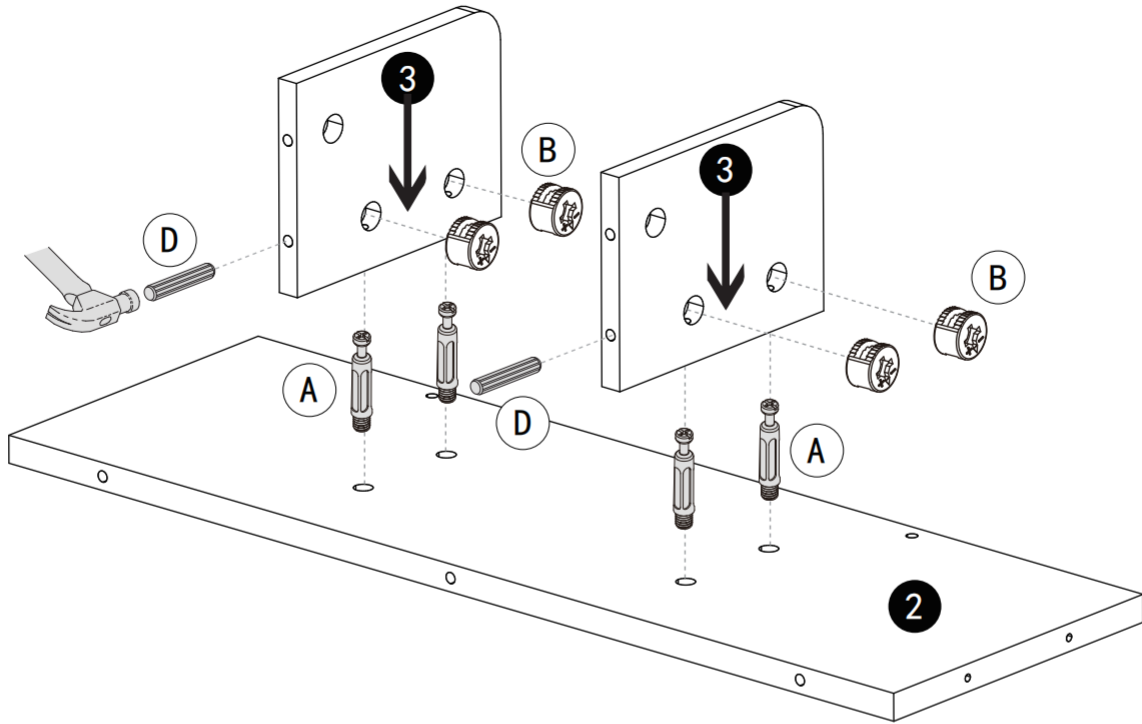
6

YOU WILL NEED

A x9

D x2

B x9



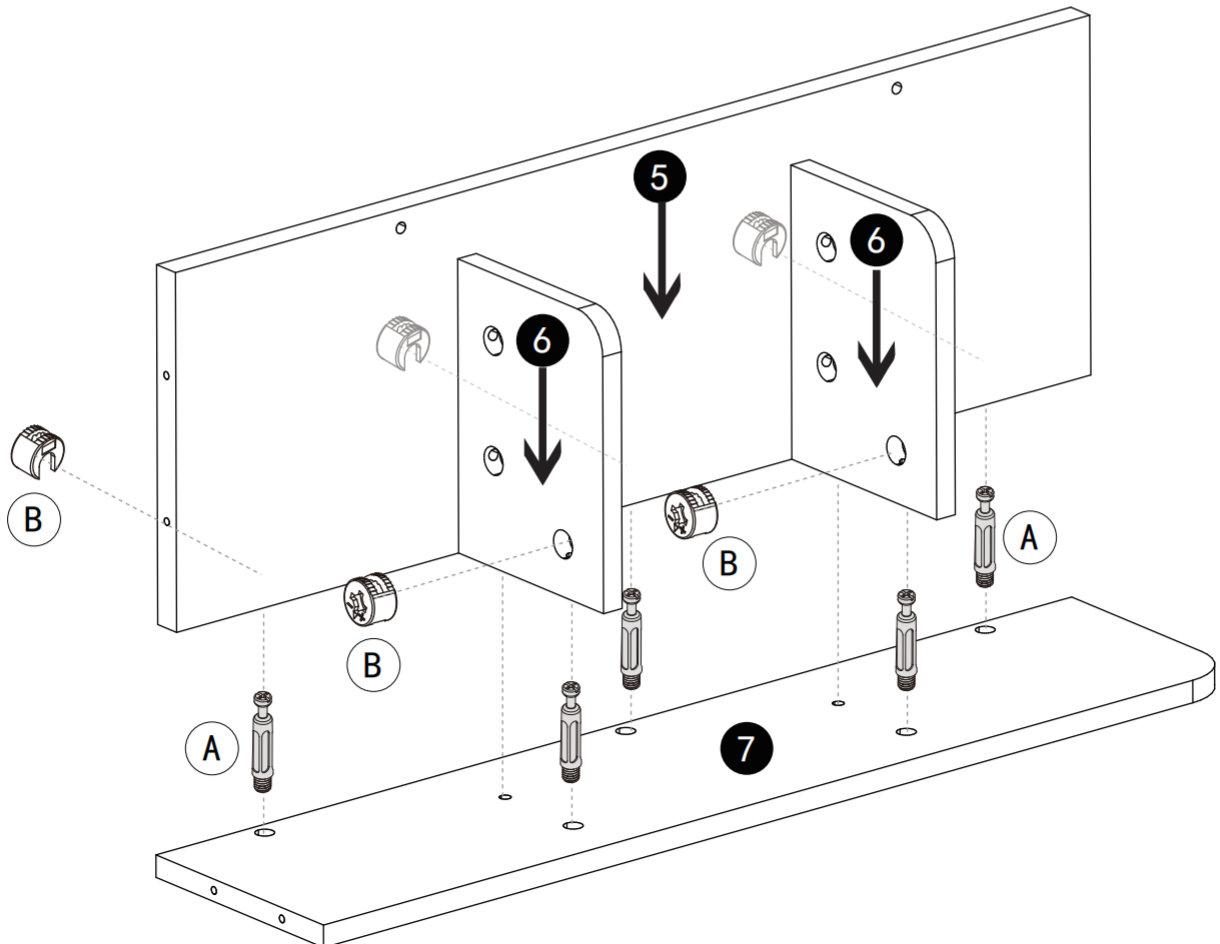
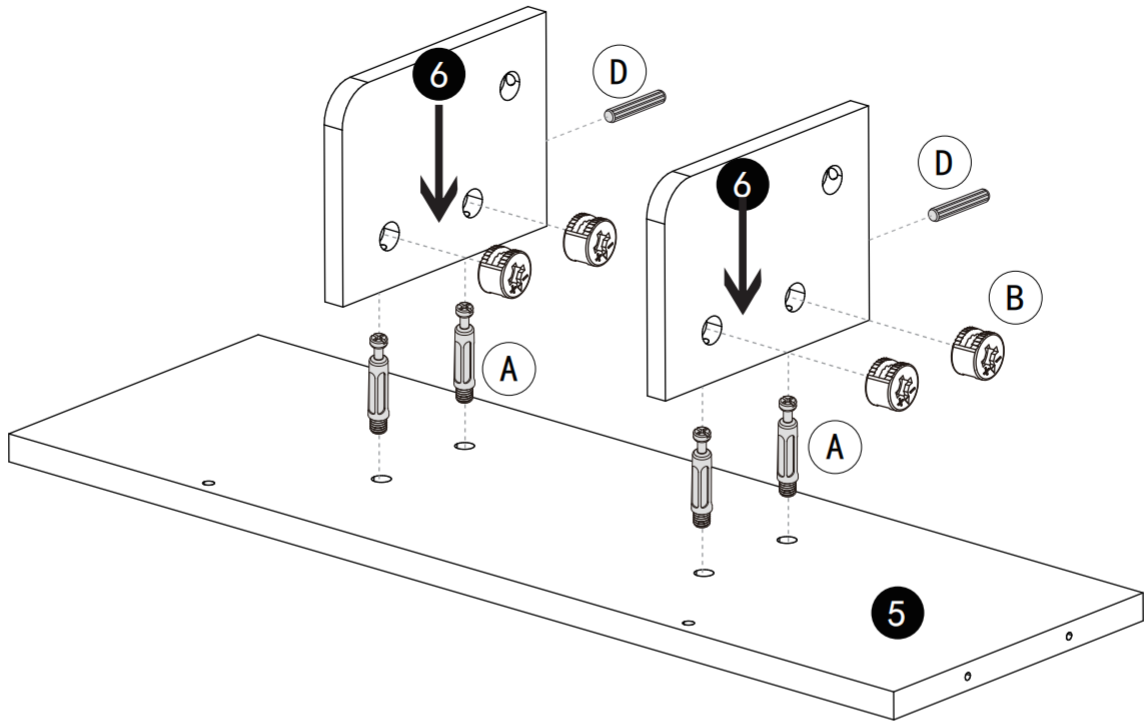
7

YOU WILL NEED

A x9

D x2

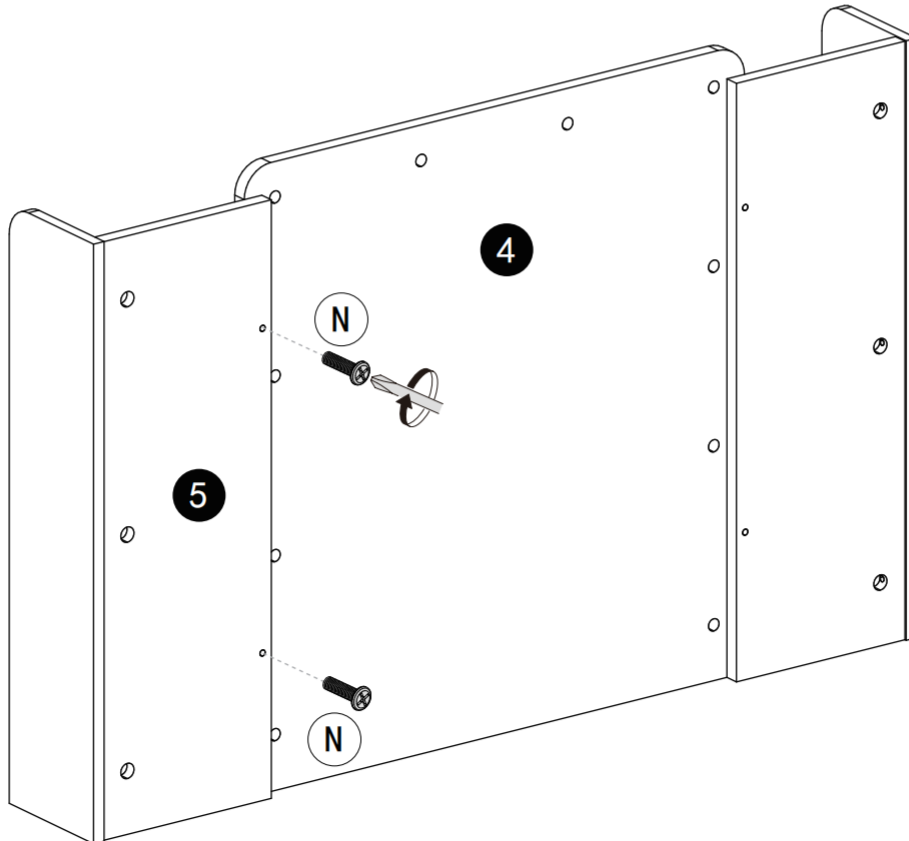
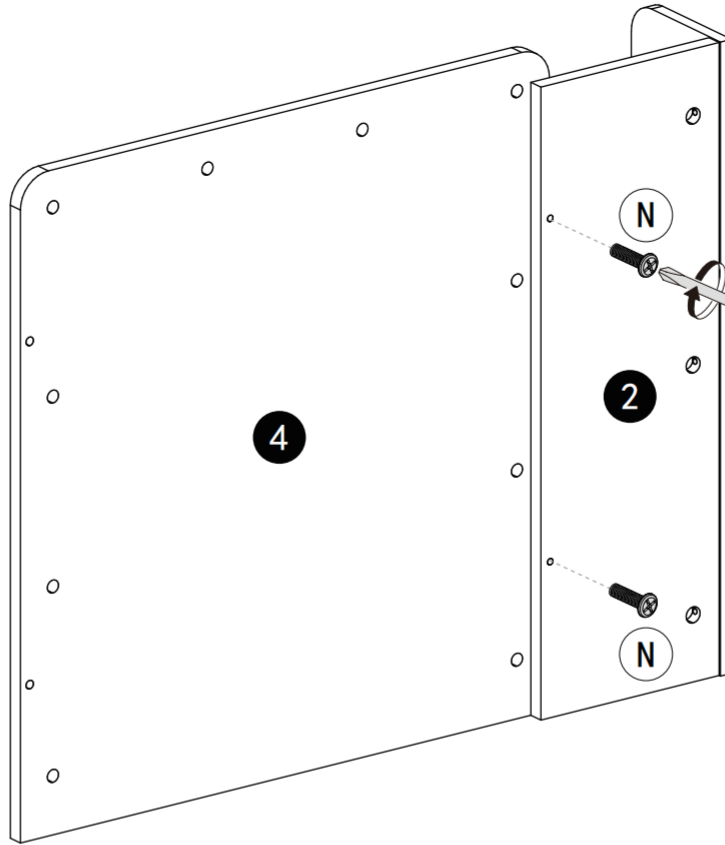
B x9



8

YOU WILL NEED

N x4



9

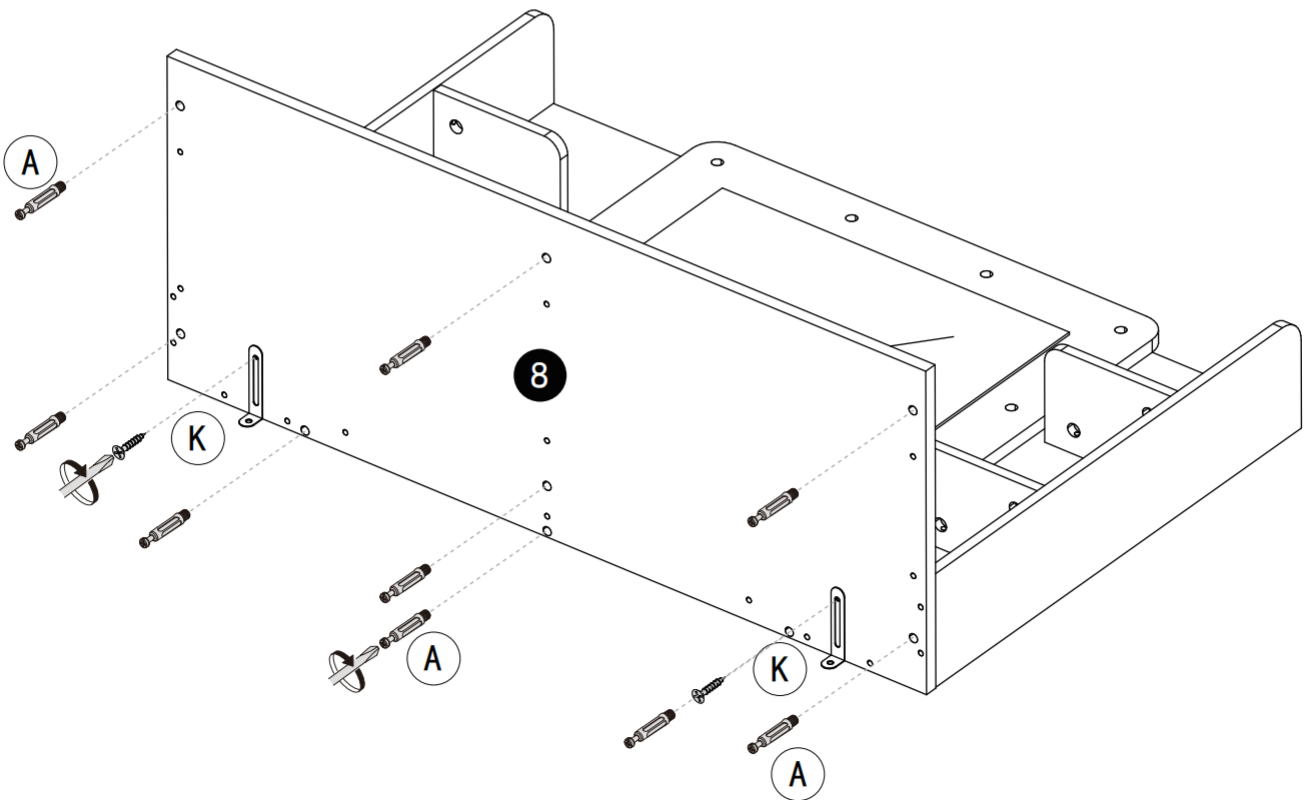
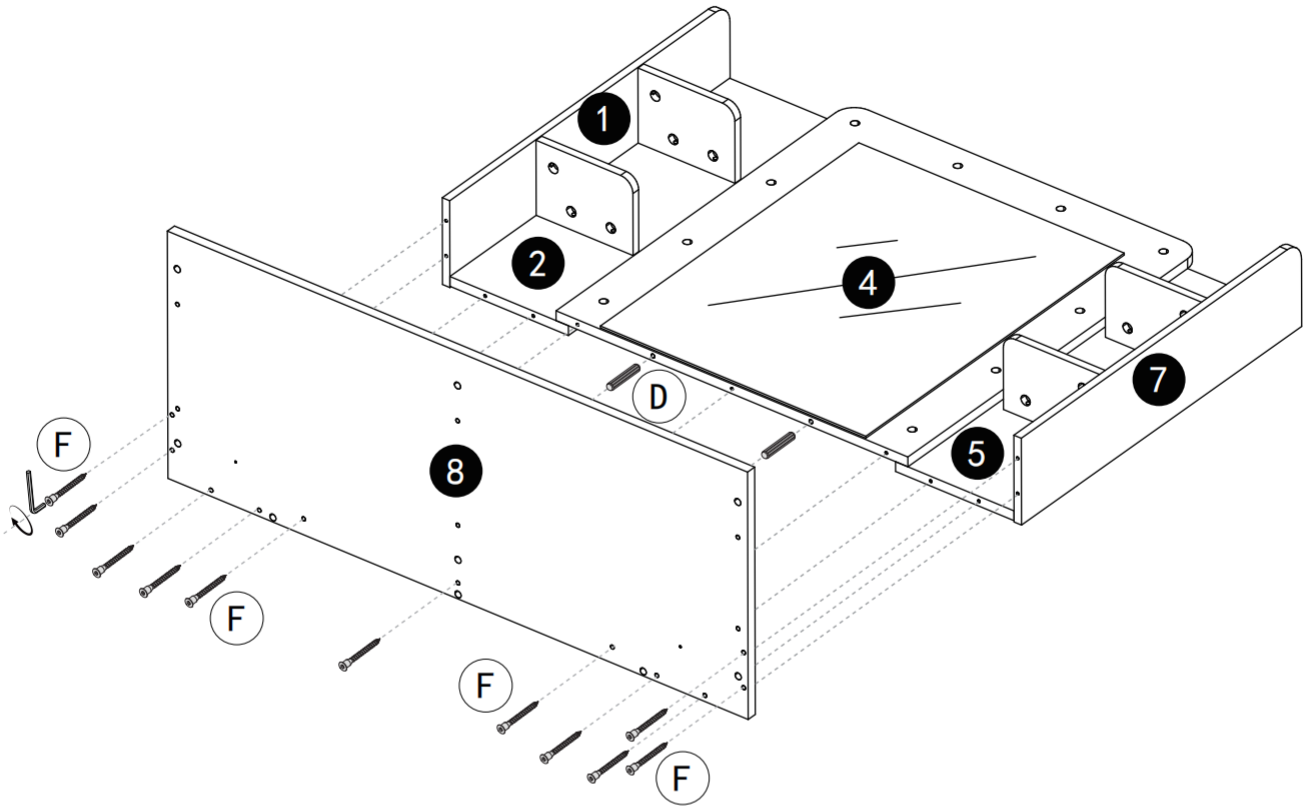
YOU WILL NEED

F x11

D x2

A x9

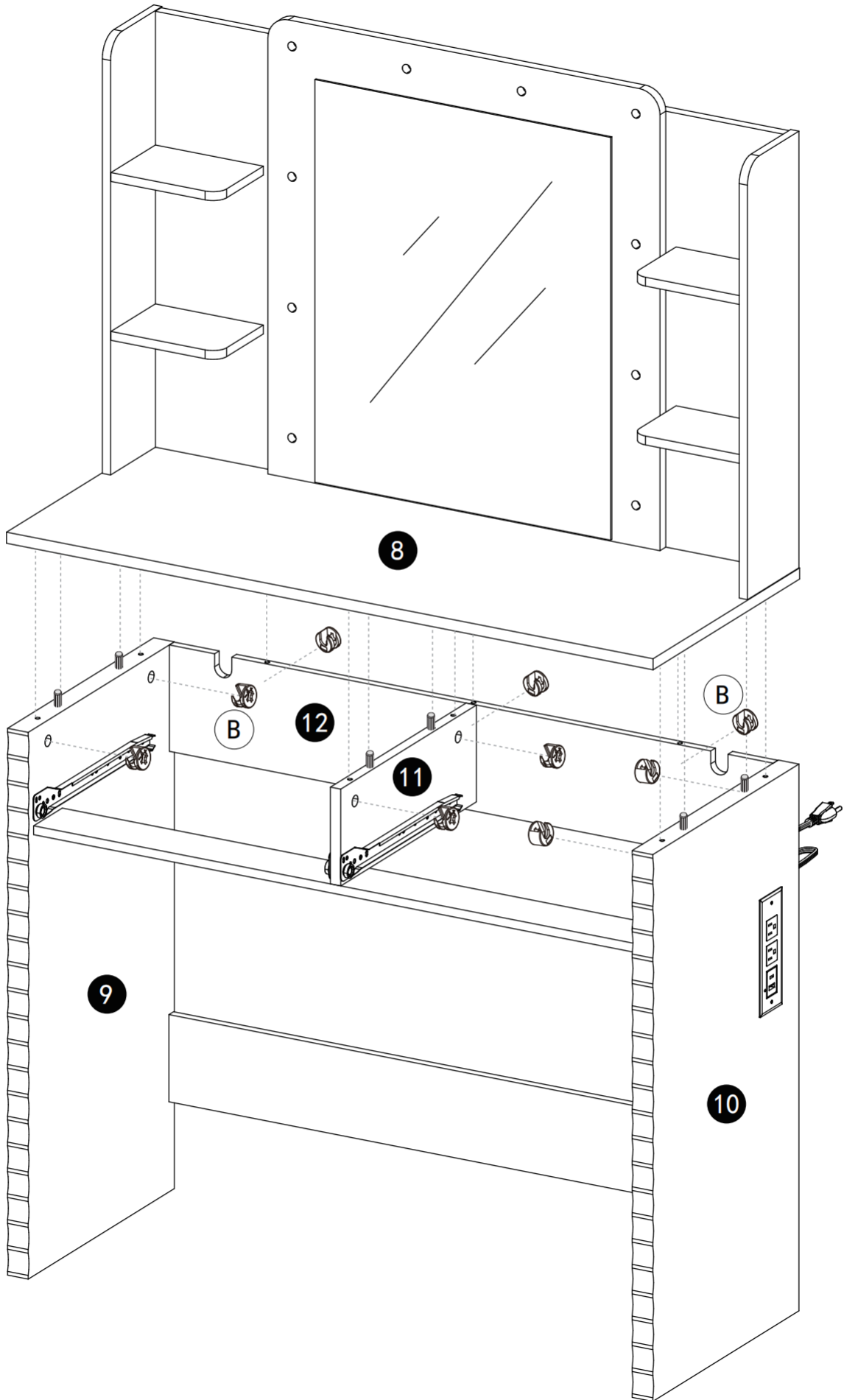
K x2

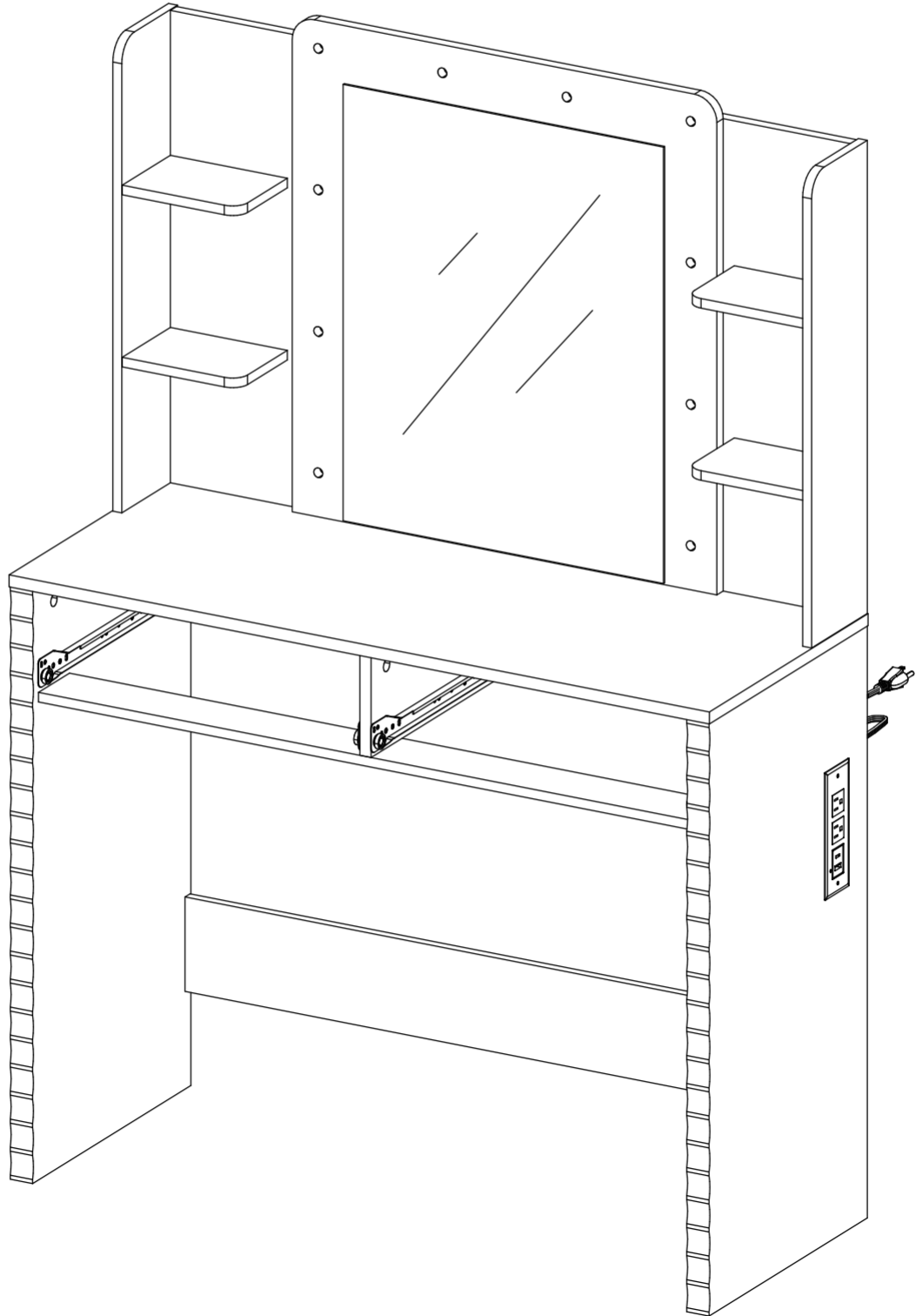
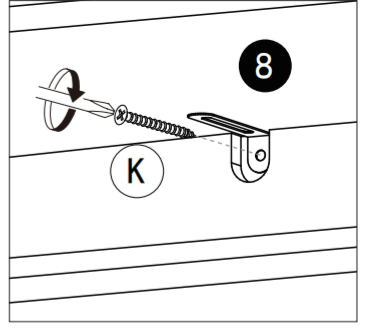
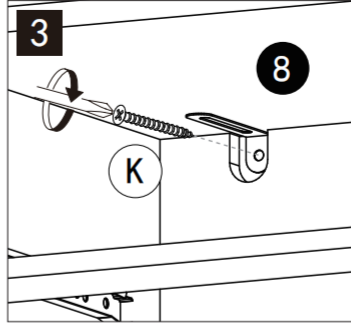
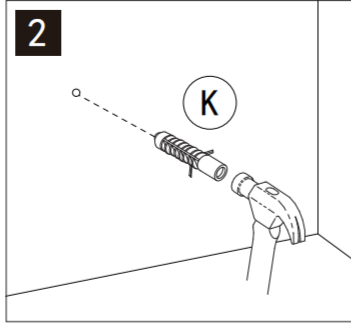
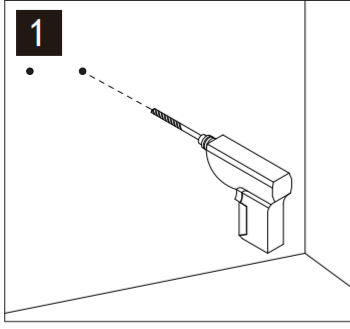


10

YOU WILL NEED

B x9





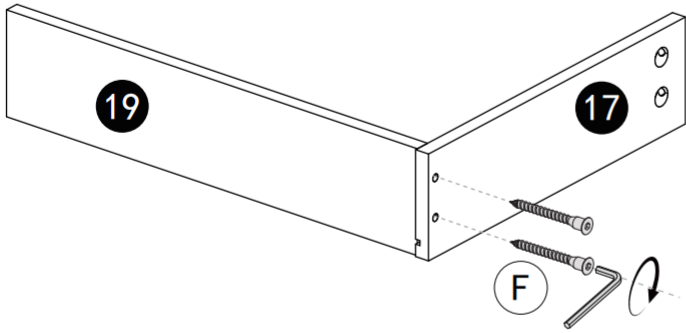
# 12

## YOU WILL NEED

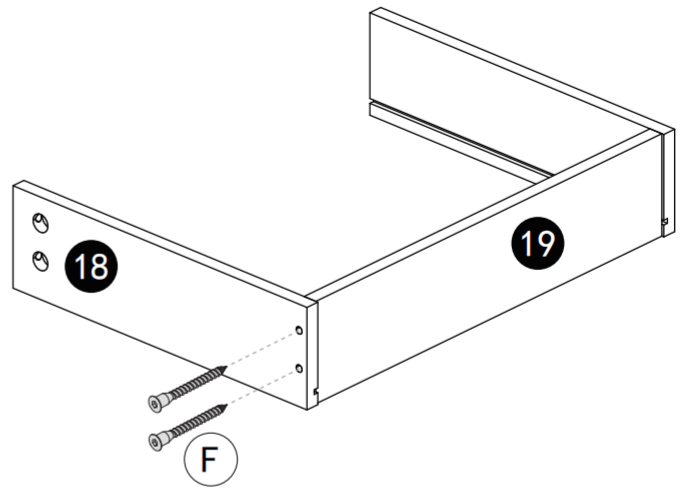
A x8

F x8

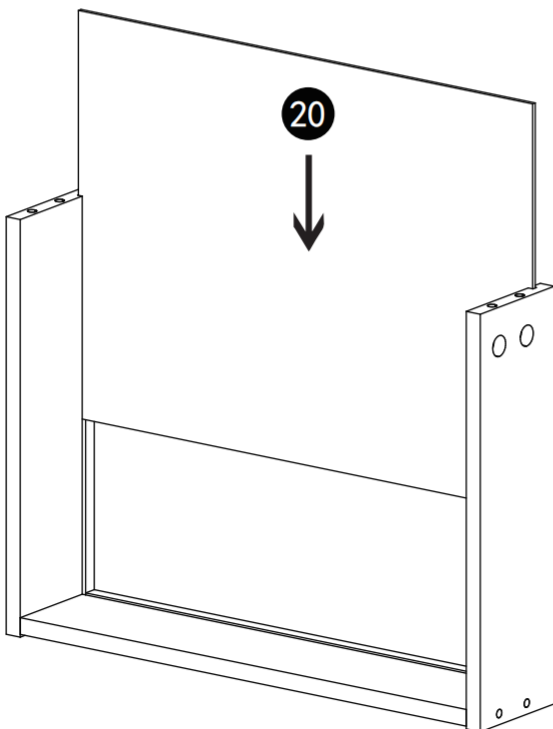
1



2

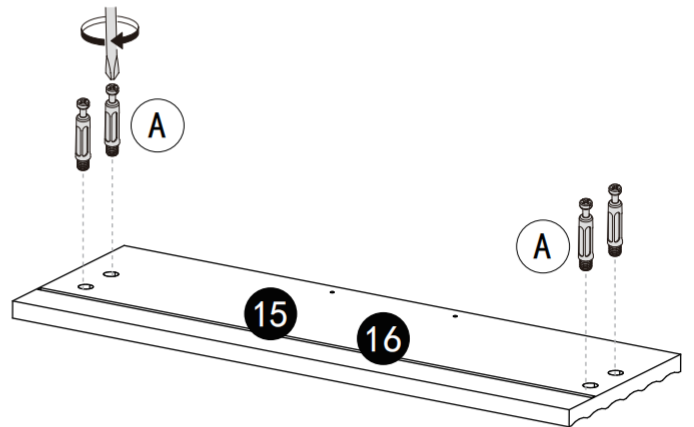


3



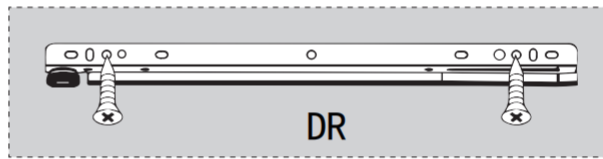
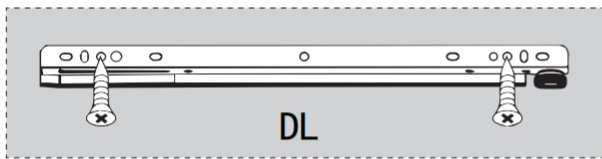
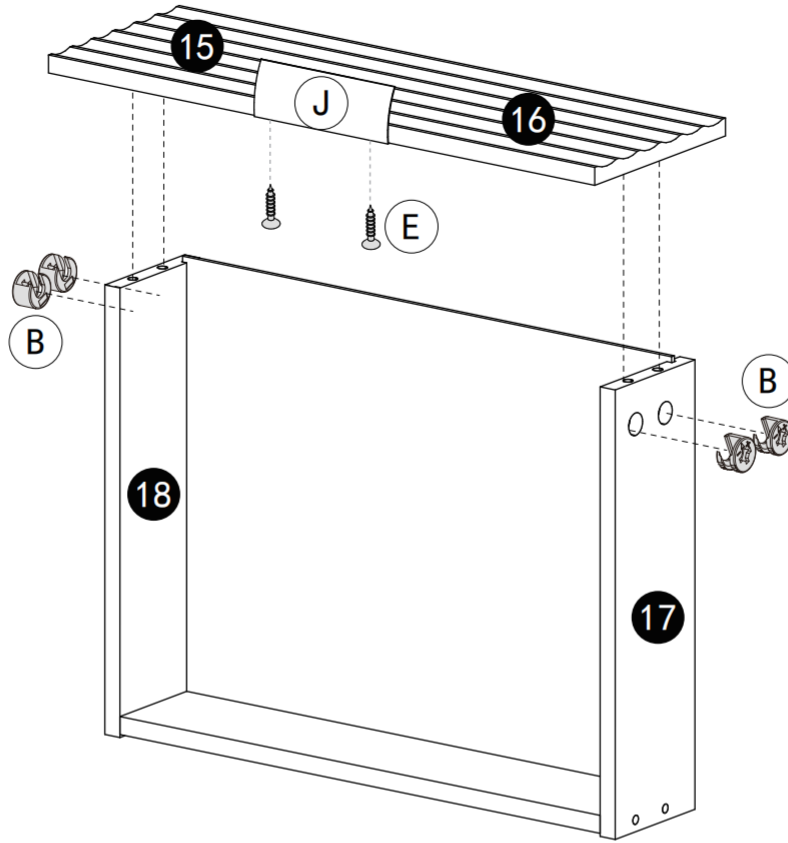
x2

4

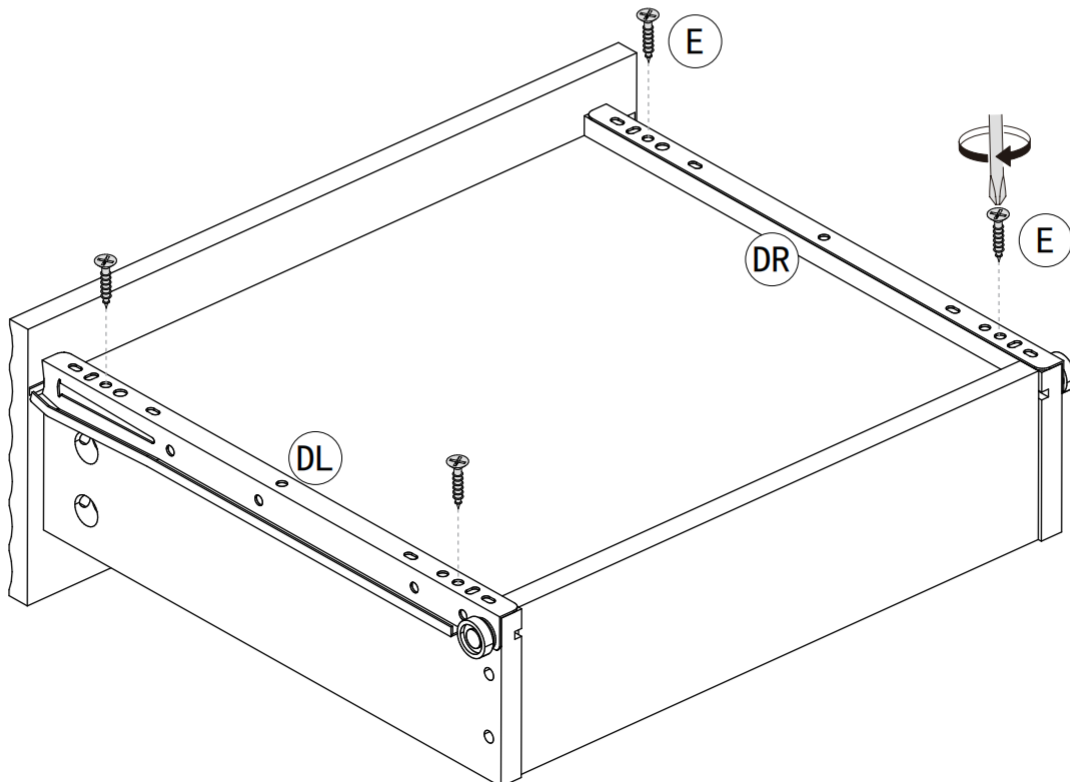


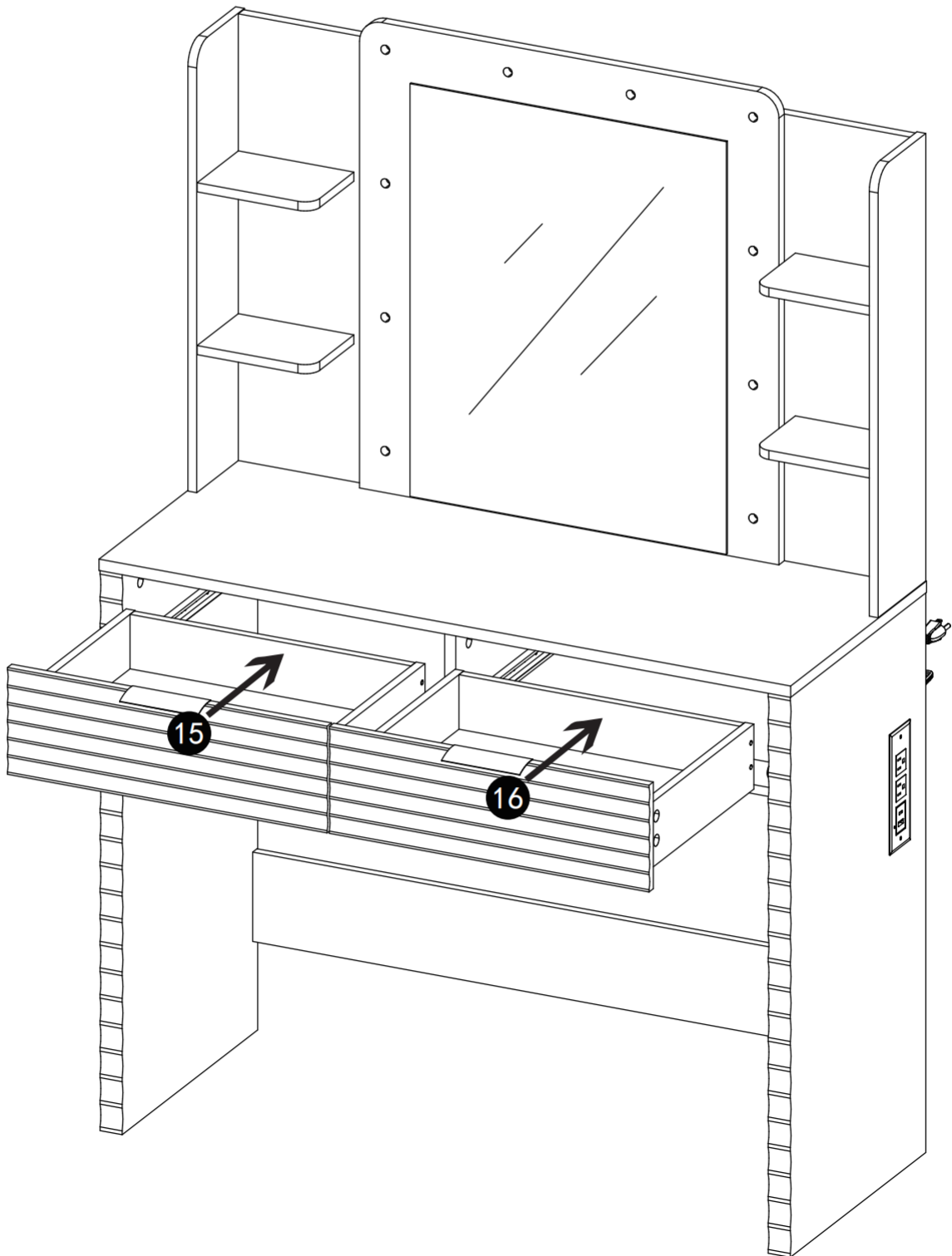
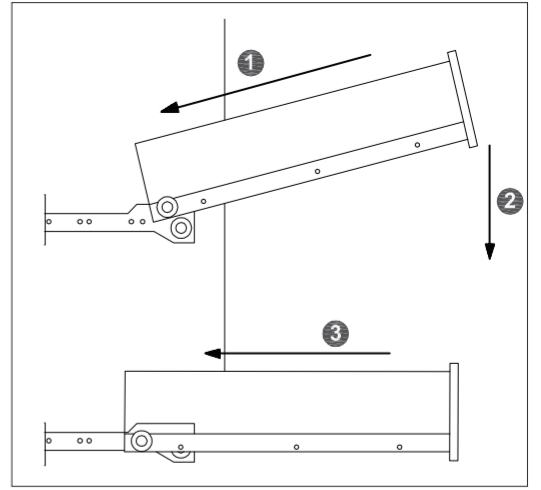
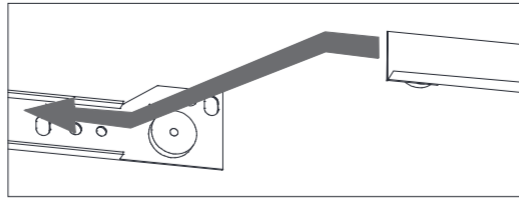
## YOU WILL NEED

<b>B</b> x8	<b>J</b> x2	<b>DL</b> x2	<b>DR</b> x2	<b>E</b> x12
-------------	-------------	--------------	--------------	--------------



x2





15

YOU WILL NEED

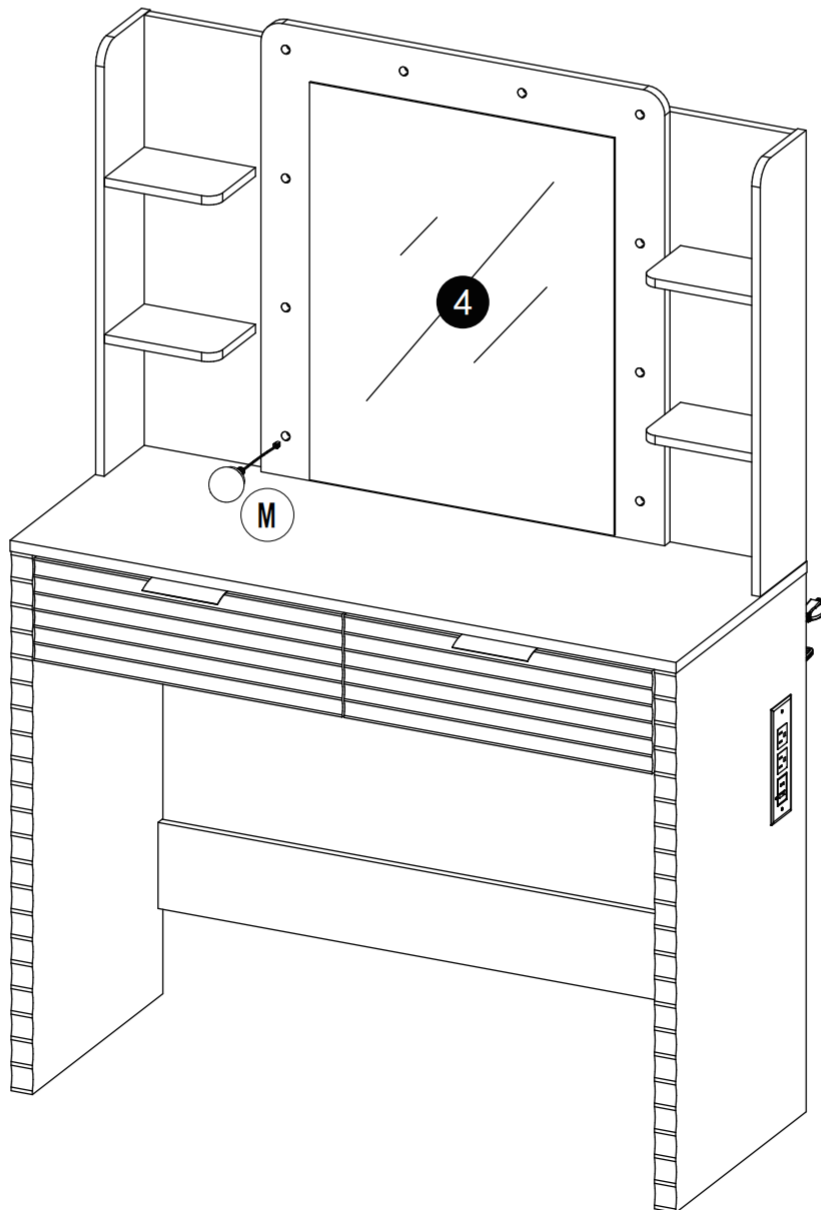
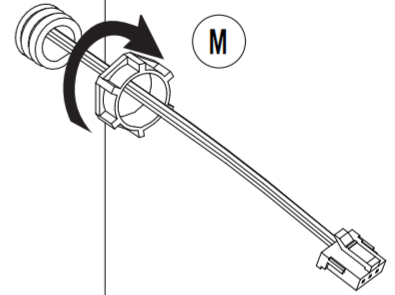
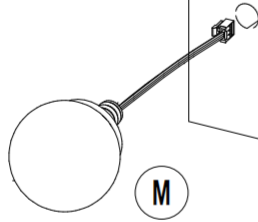
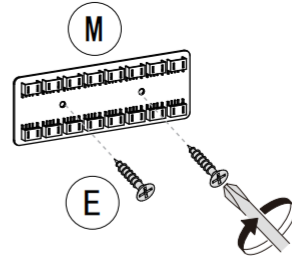
M x1

E x2

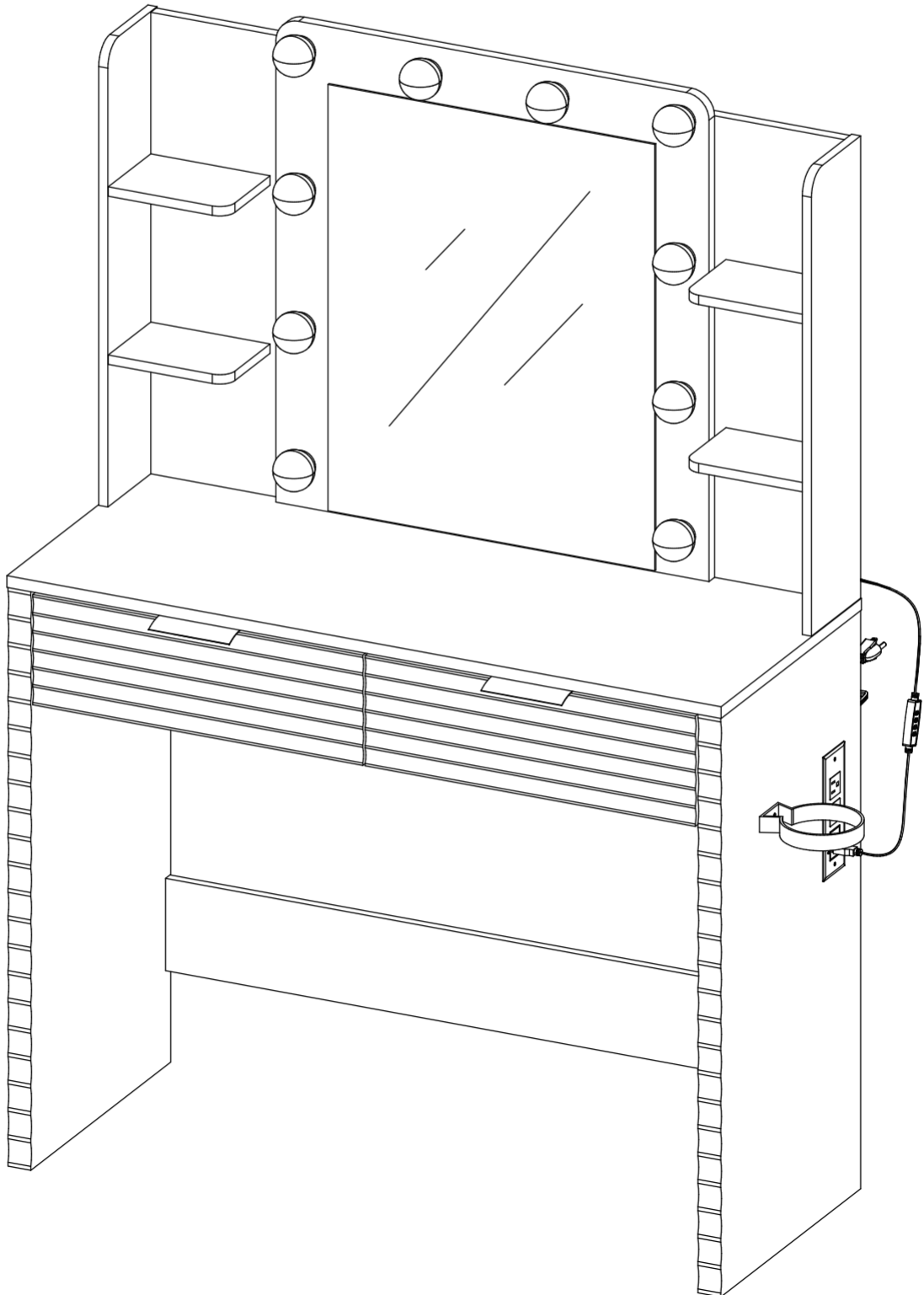
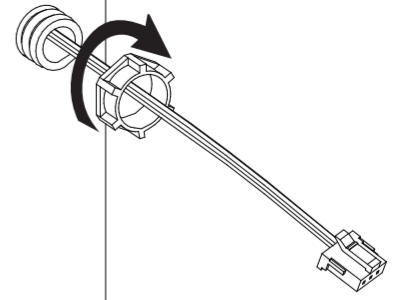
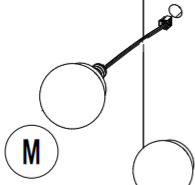


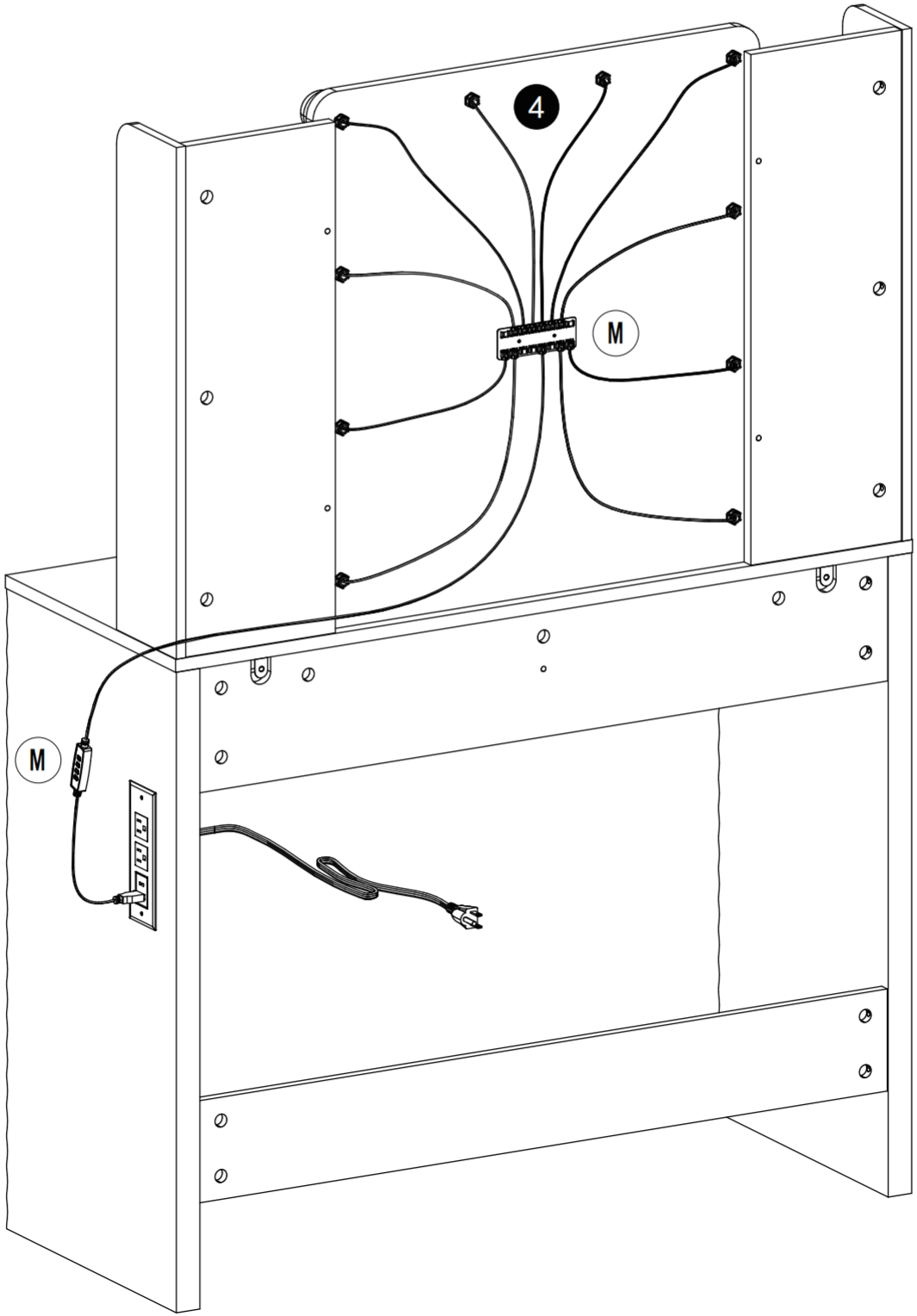
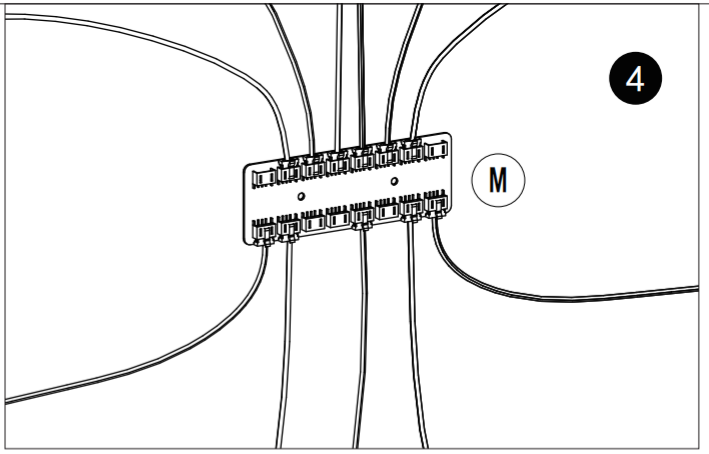
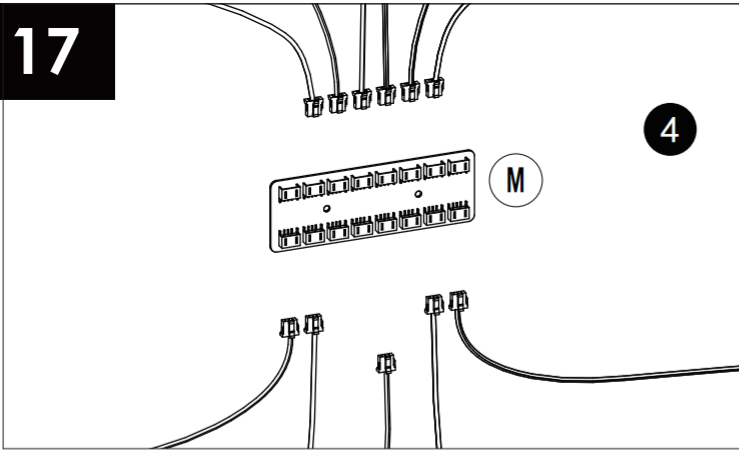
**x10 PC**

Install the  
middle bulbs  
(10 pcs)



16





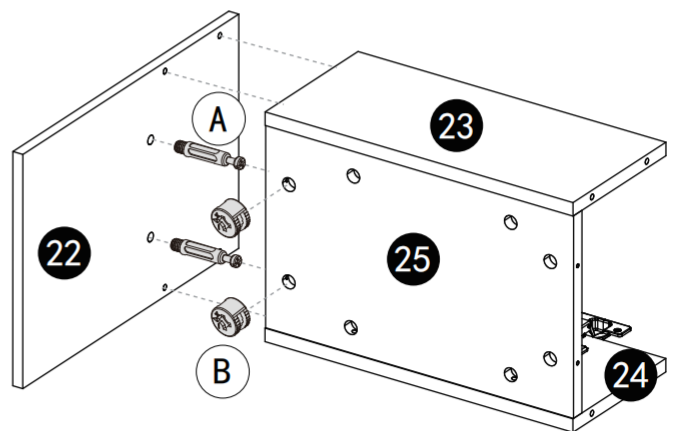
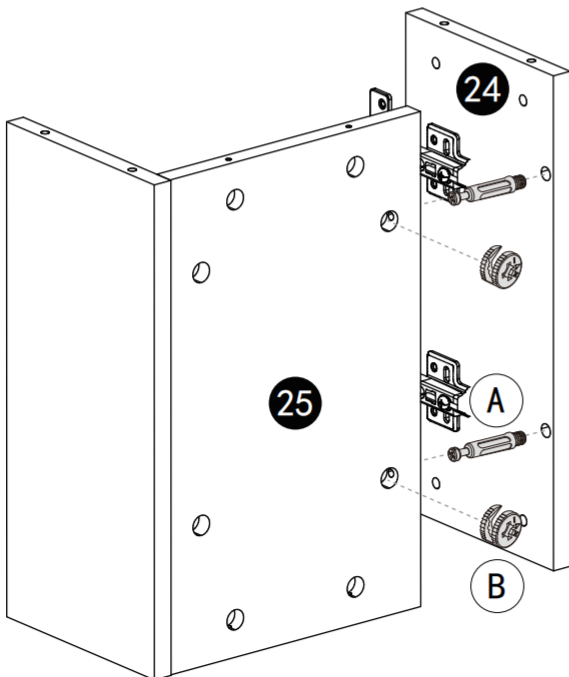
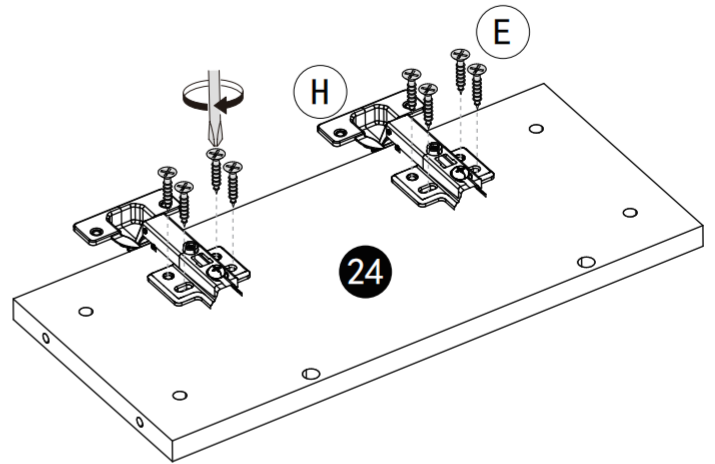
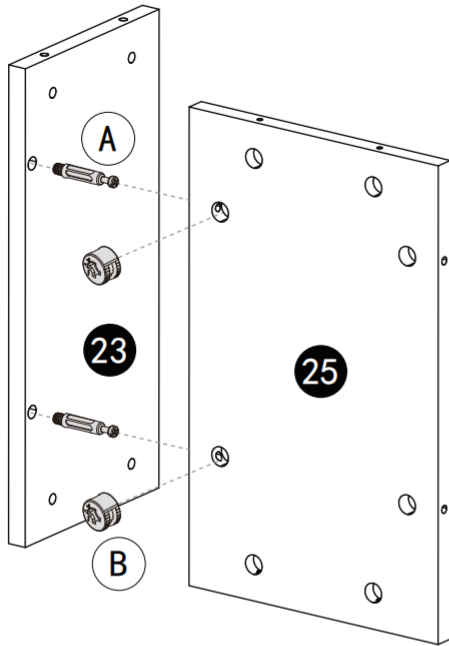
## YOU WILL NEED

**A** x6

**B** x6

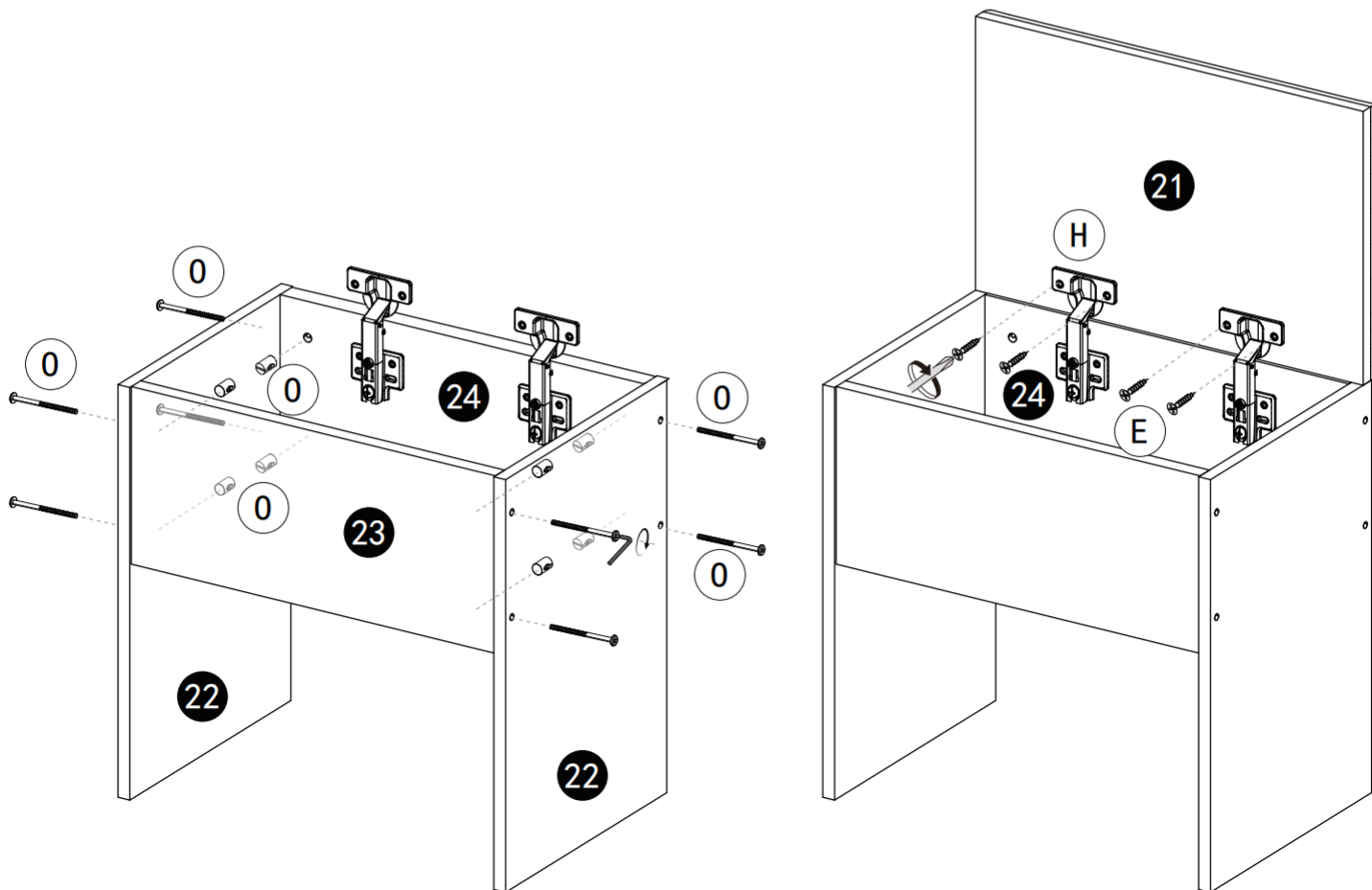
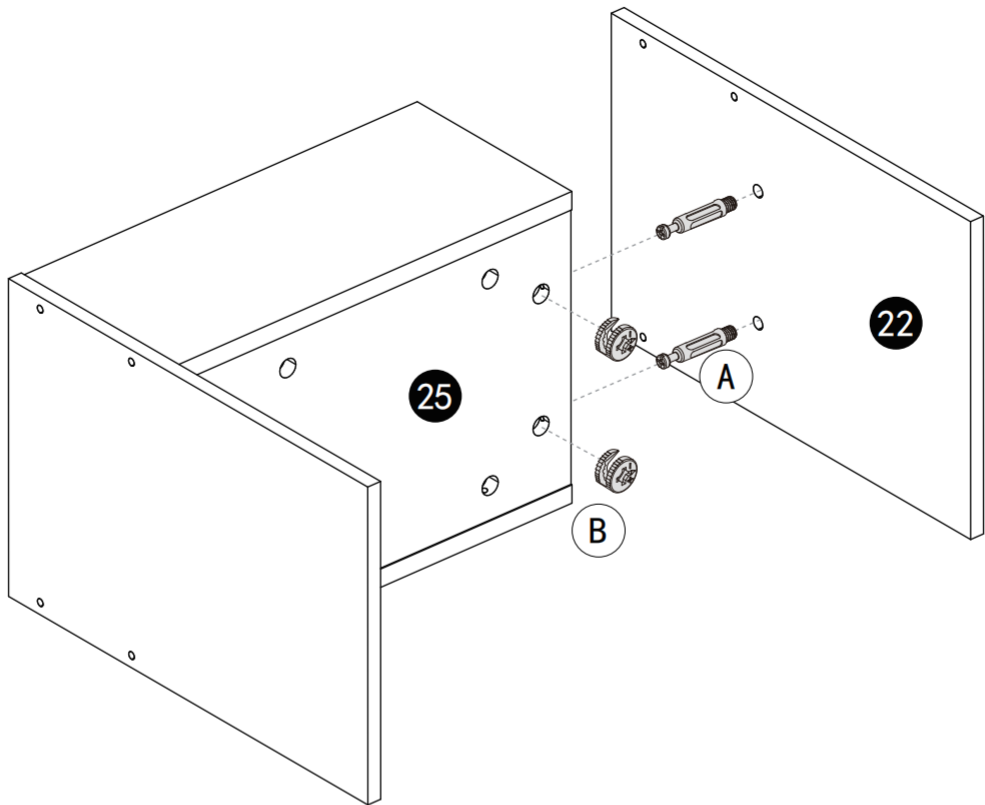
**H** x2

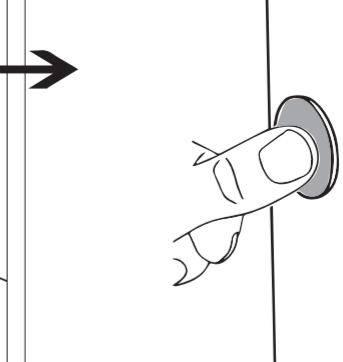
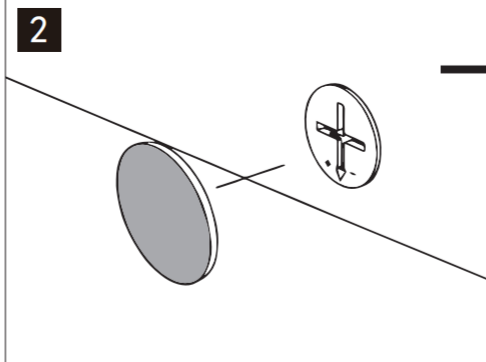
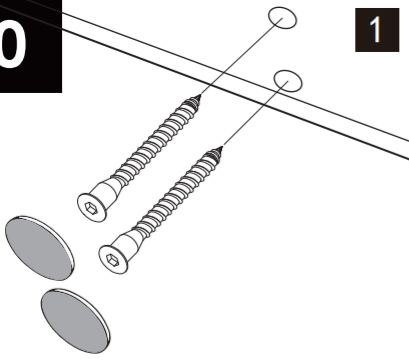
**E** x8



YOU WILL NEED

A x2	B x2	O x8	E x4
------	------	------	------



**20****1****2**

Add L fittings to all exposed holes on the front of the product

**YOU WILL NEED**

**G** x1**E** x2**L** x8