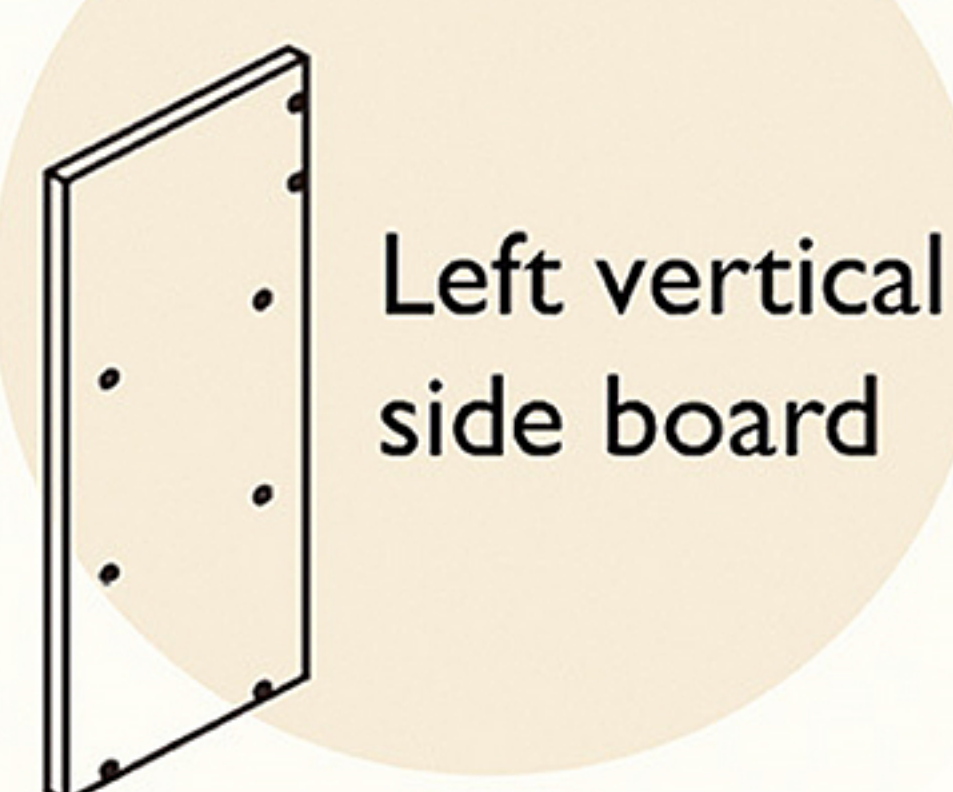


STORAGE CABINET INSTALLATION GUIDE

Please follow this illustration step by step, and don't hesitate to contact us if you have any questions during installation. We are always here to help.

Installation Instructions

Board 1 (x1)



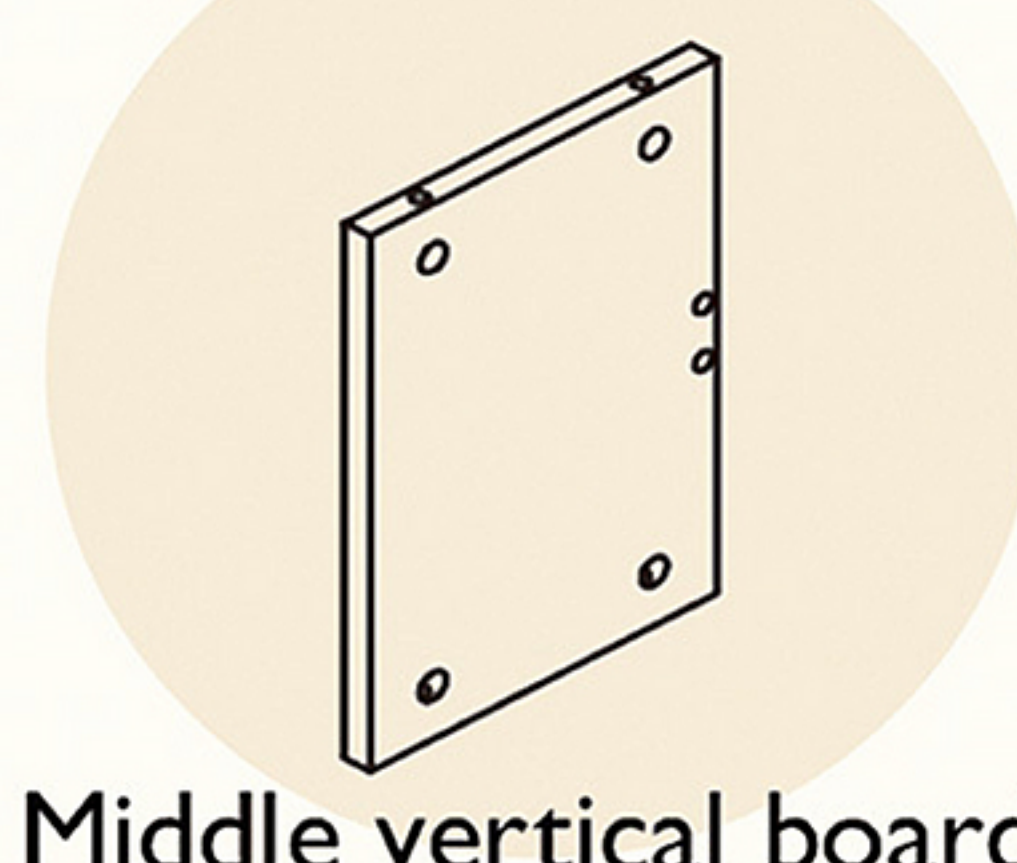
Left vertical side board

Board 2 (x1)



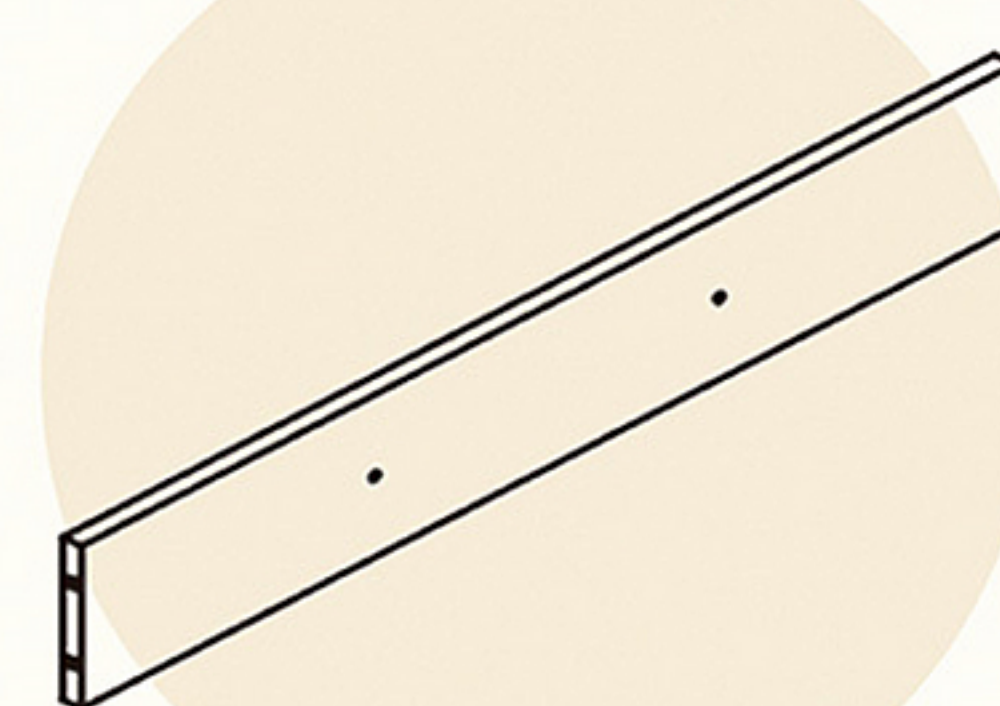
Right vertical side board

Board 3 (x1)



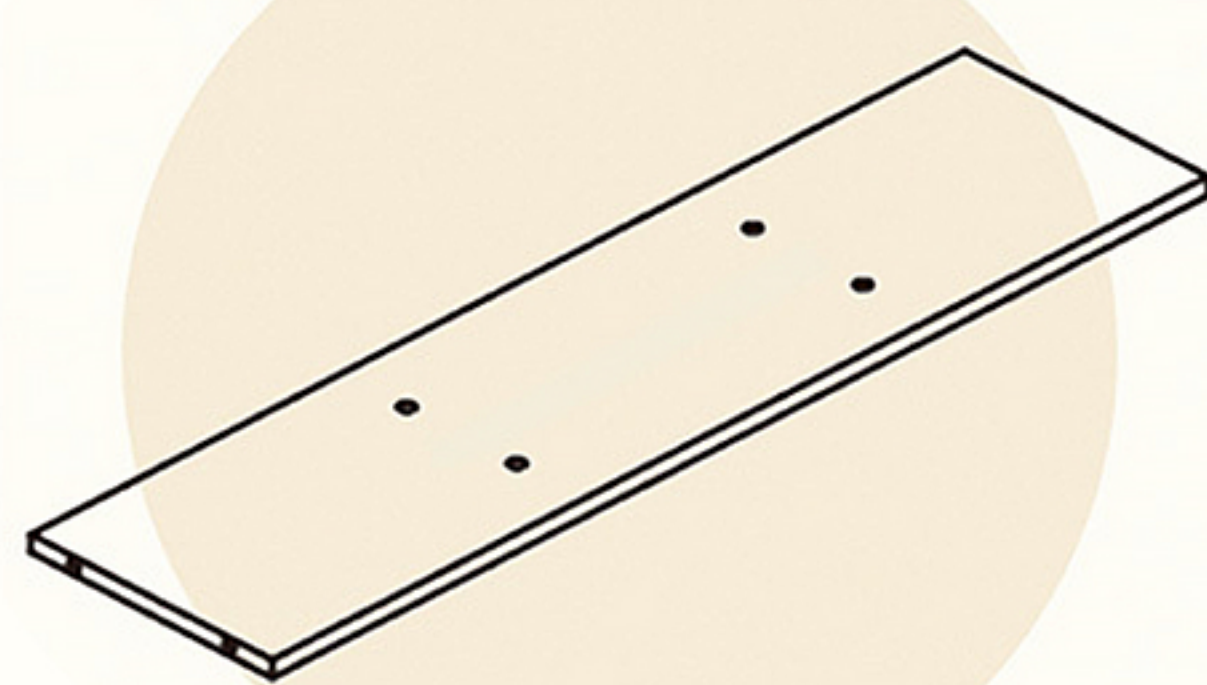
Middle vertical board

Board 4 (x1)



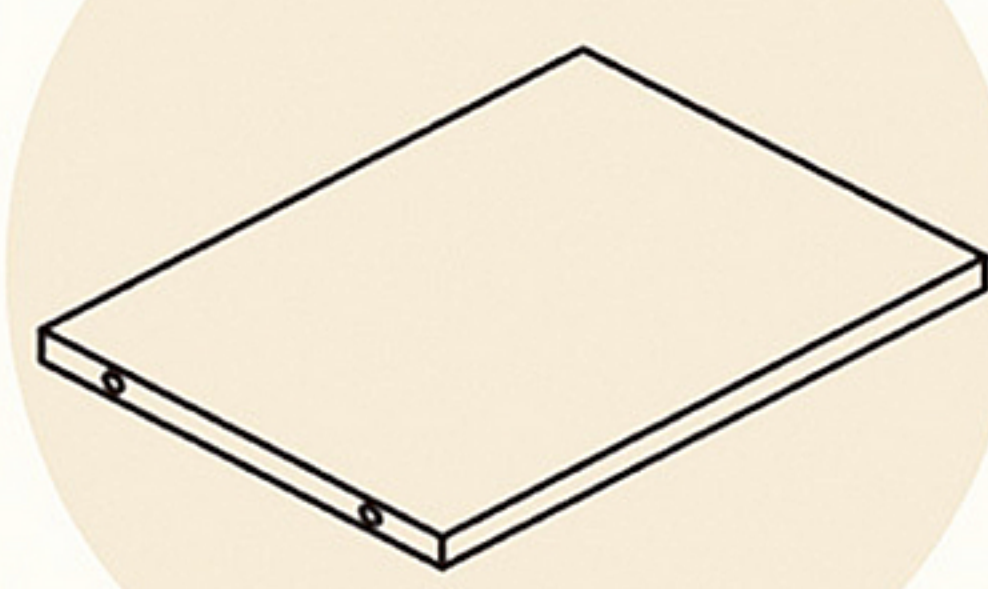
Top vertical board

Board 5 (x1)



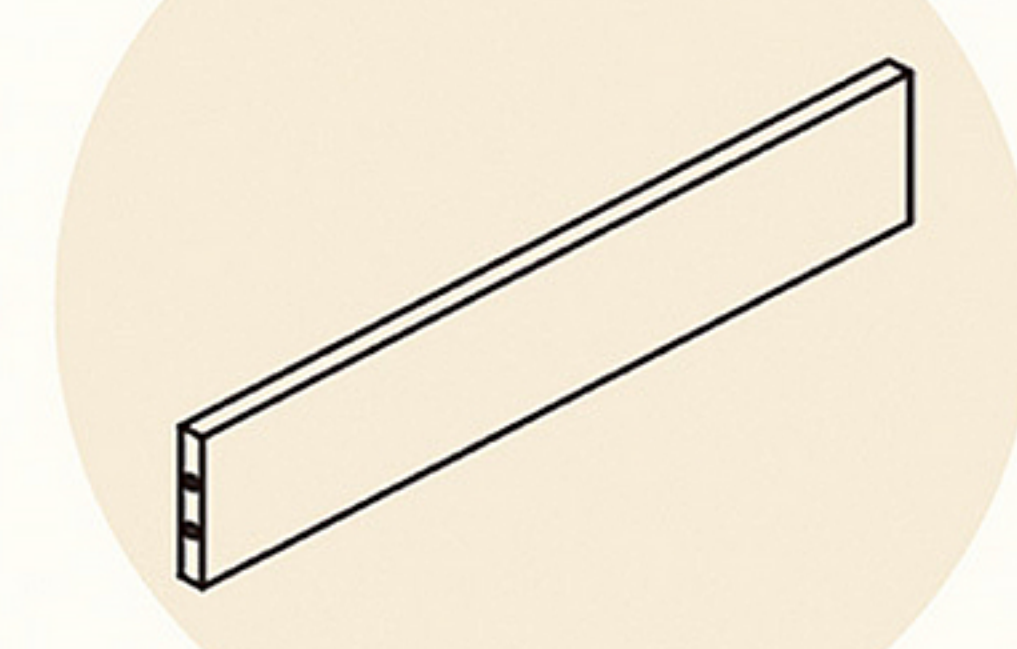
Top board

Board 6 (x1)



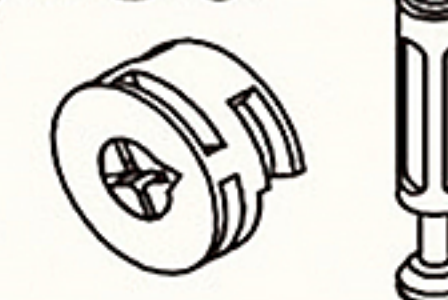
Layer board

Board 7 (x1)



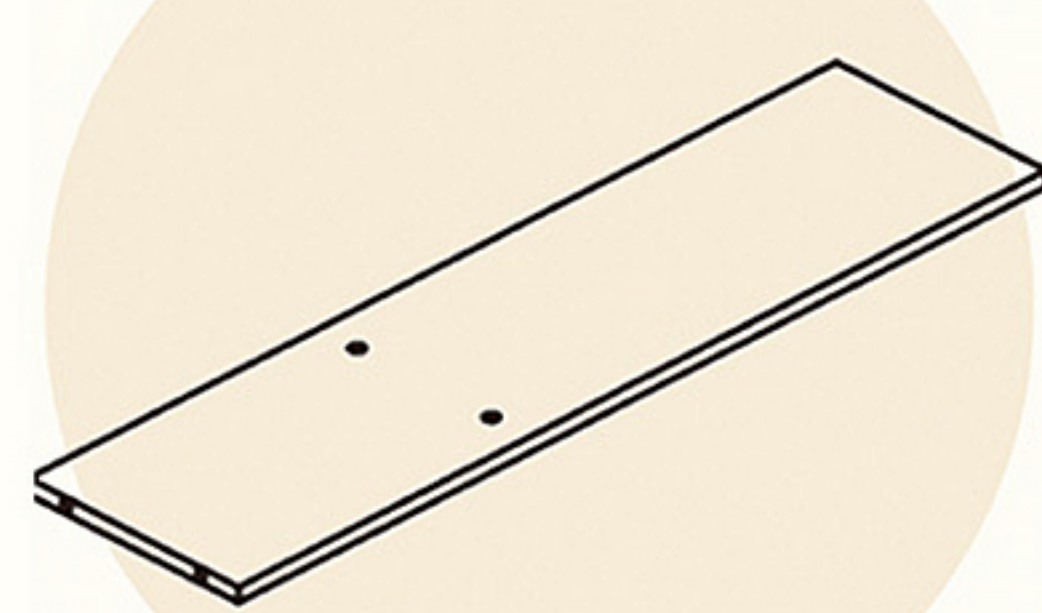
Bottom vertical board

Bx30



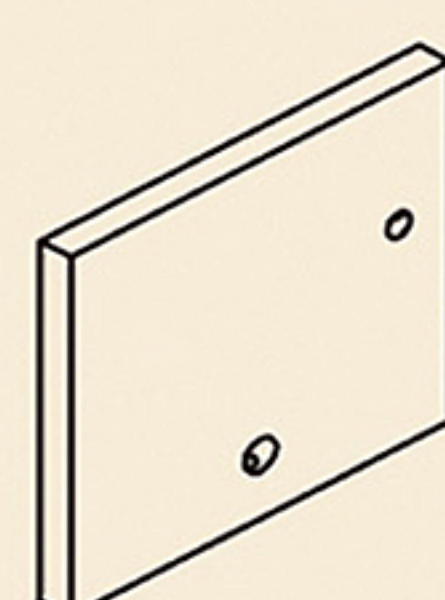
Cam parts

Board 8 (x1)



Bottom board

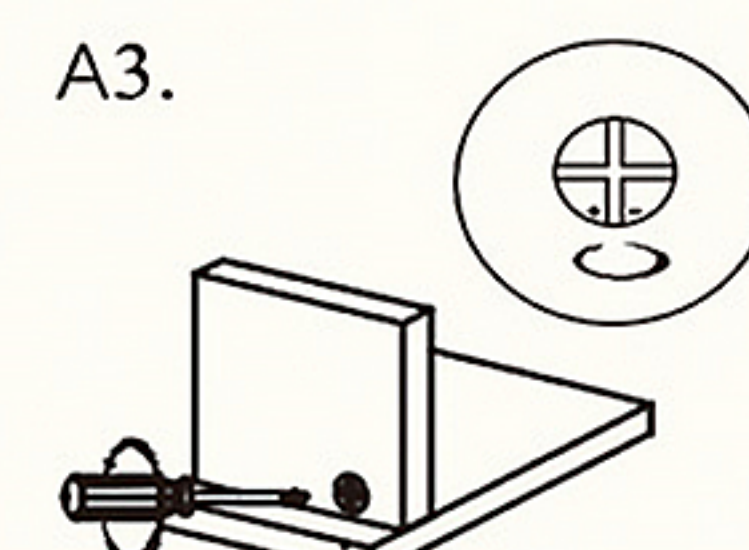
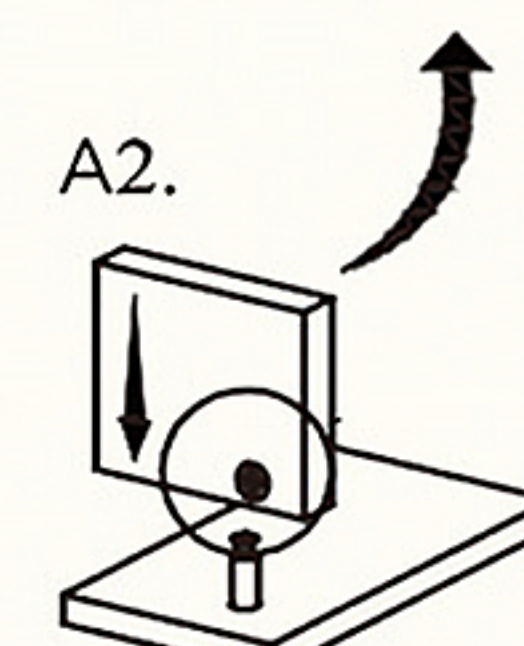
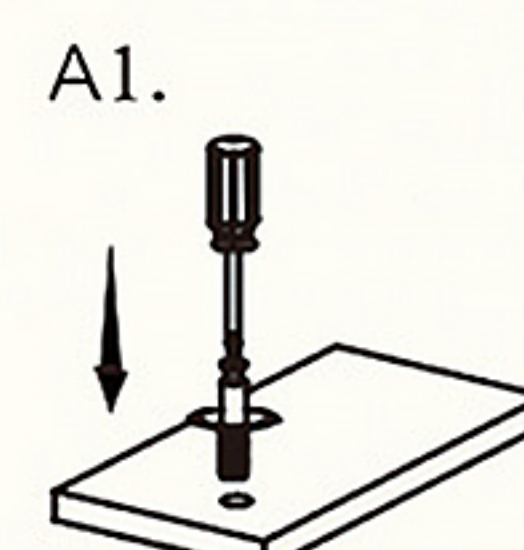
Board 9 (x1)



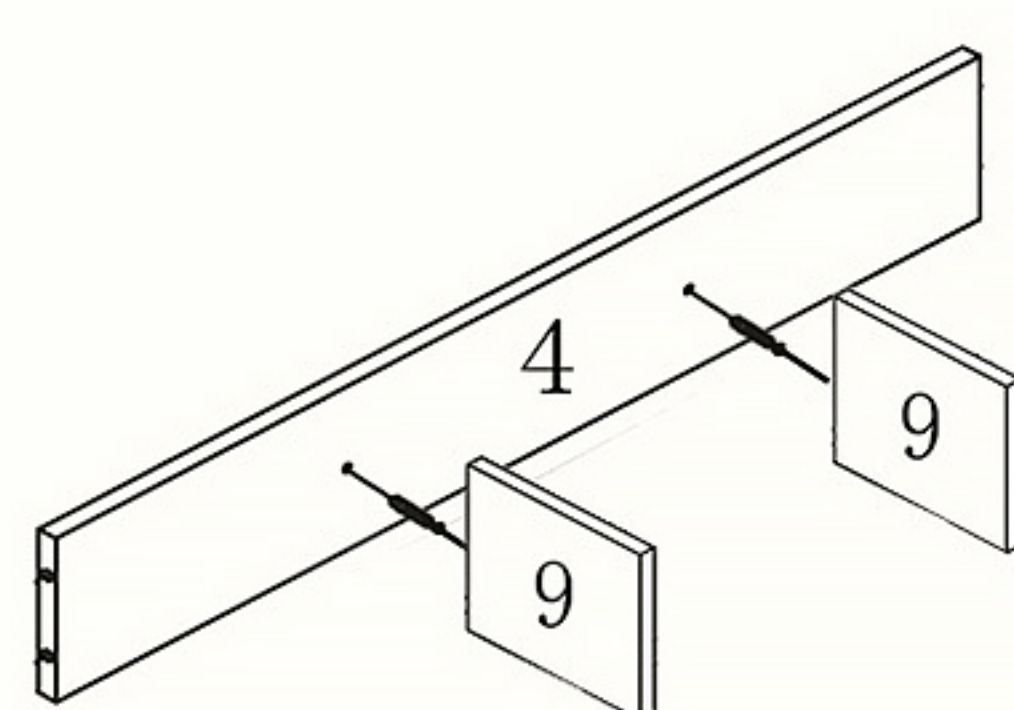
Divide board

Assembly method of cam parts:

Pay attention to the tip direction. Rotate and tighten to the direction of "+" sign.

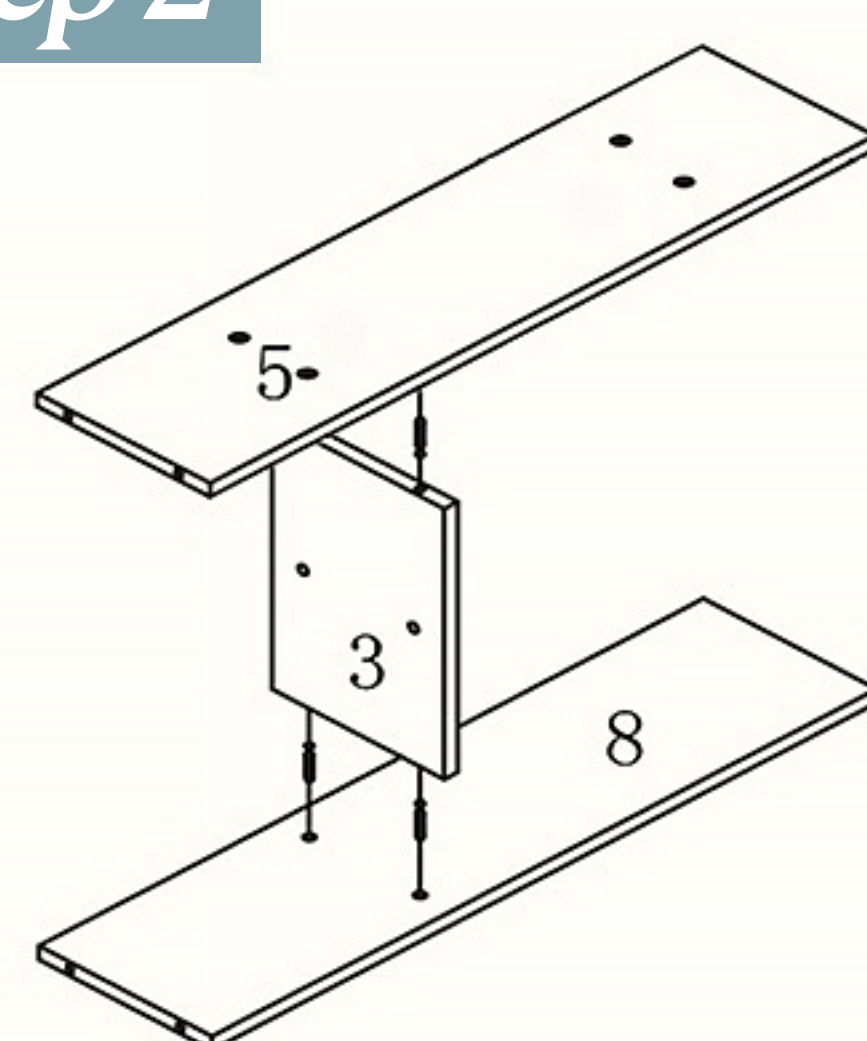


step 1



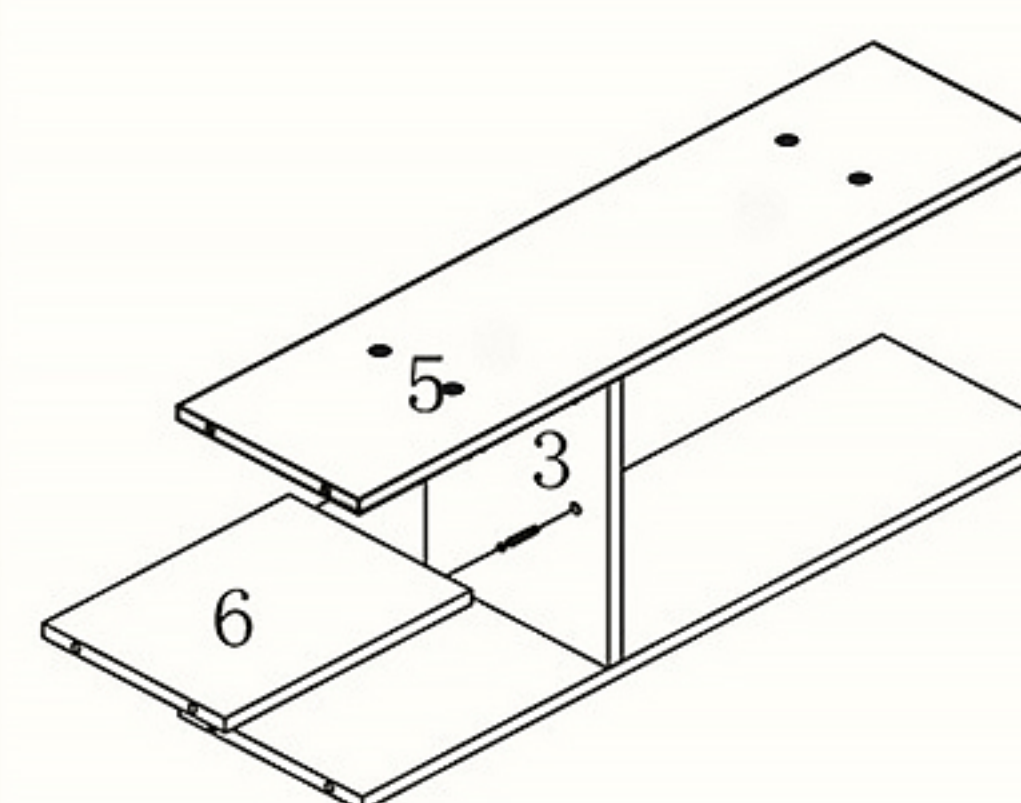
Insert cam parts (Bx30) into the corresponding holes on Board 4, and connect with Board 9.

step 2



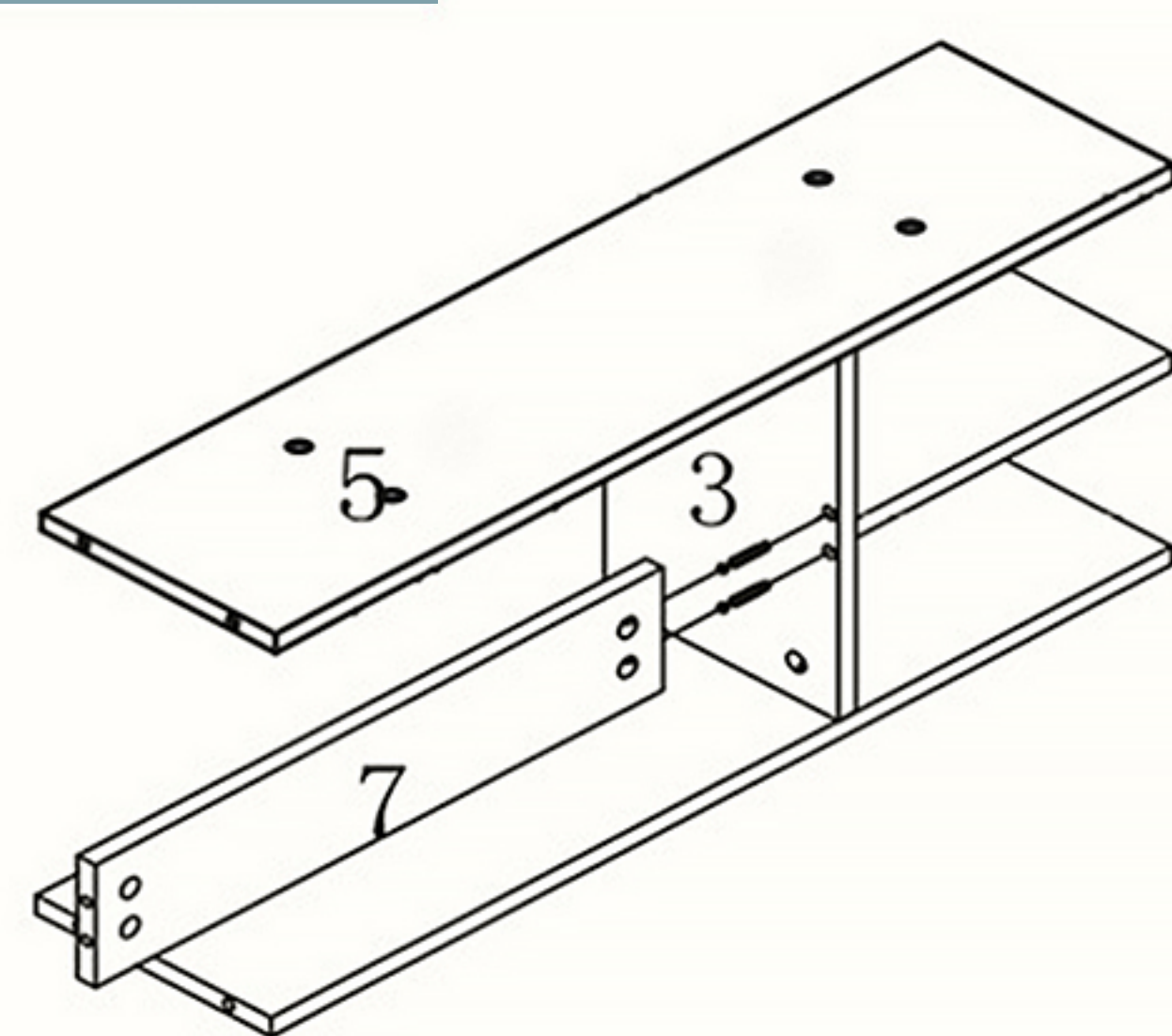
Insert cam parts (Bx30) into the corresponding holes on Board 5 and 8, and connect with Board 3.

step 3



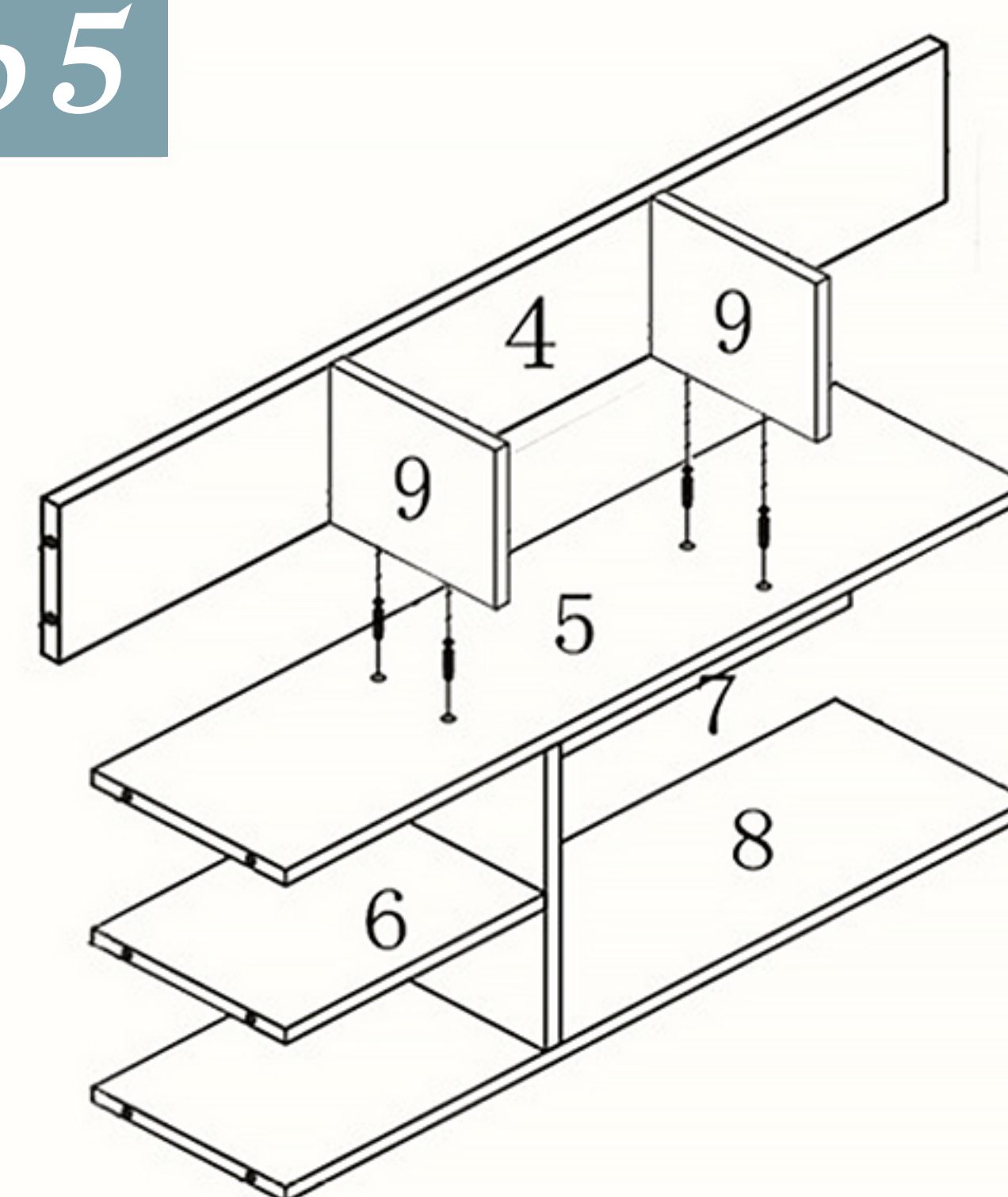
Insert cam parts (Bx30) into the corresponding holes on Board 3, and connect with Board 6.

step 4



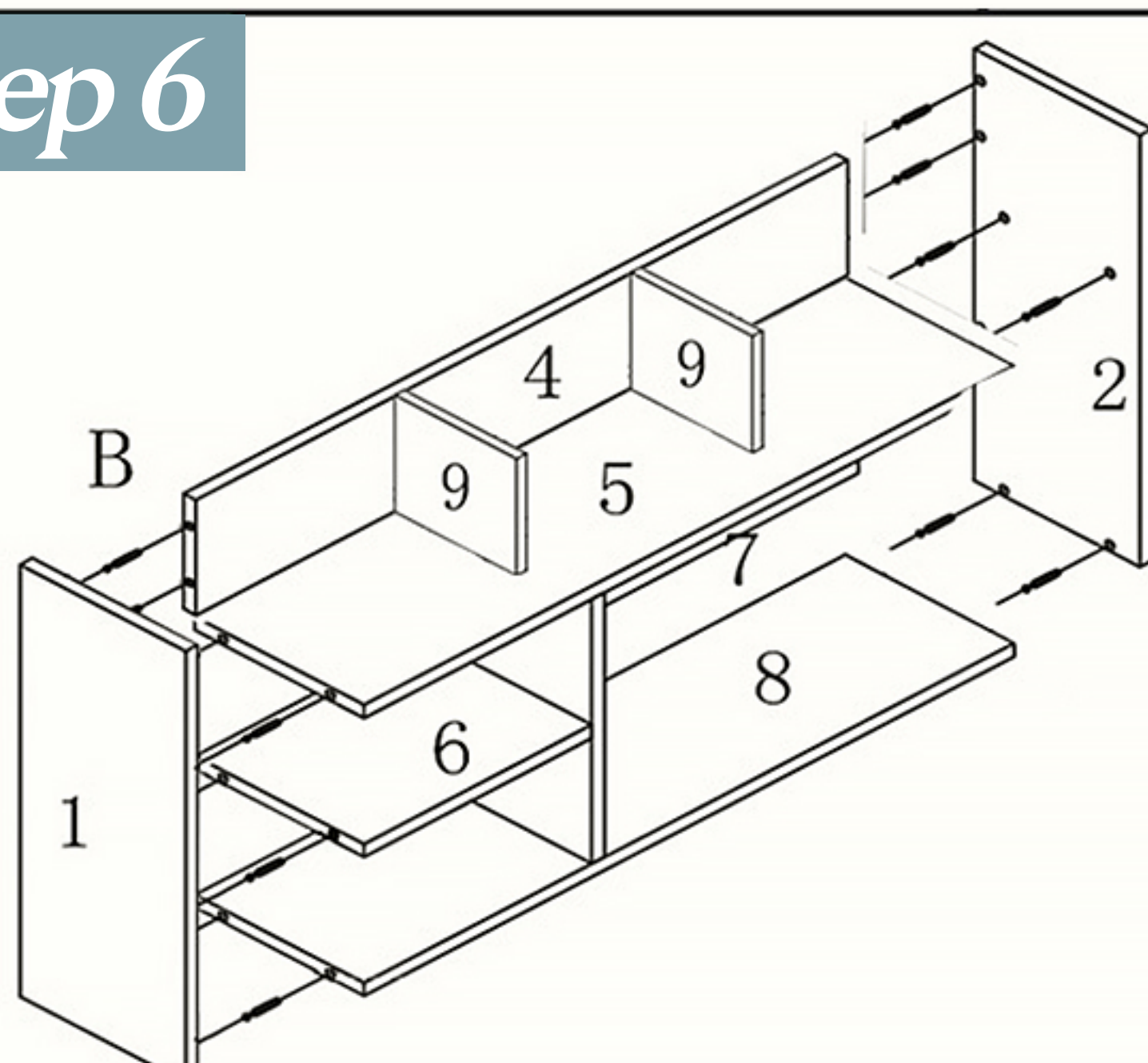
Insert cam parts (Bx30) into the corresponding holes on Board 3, and connect with Board 7.

step 5



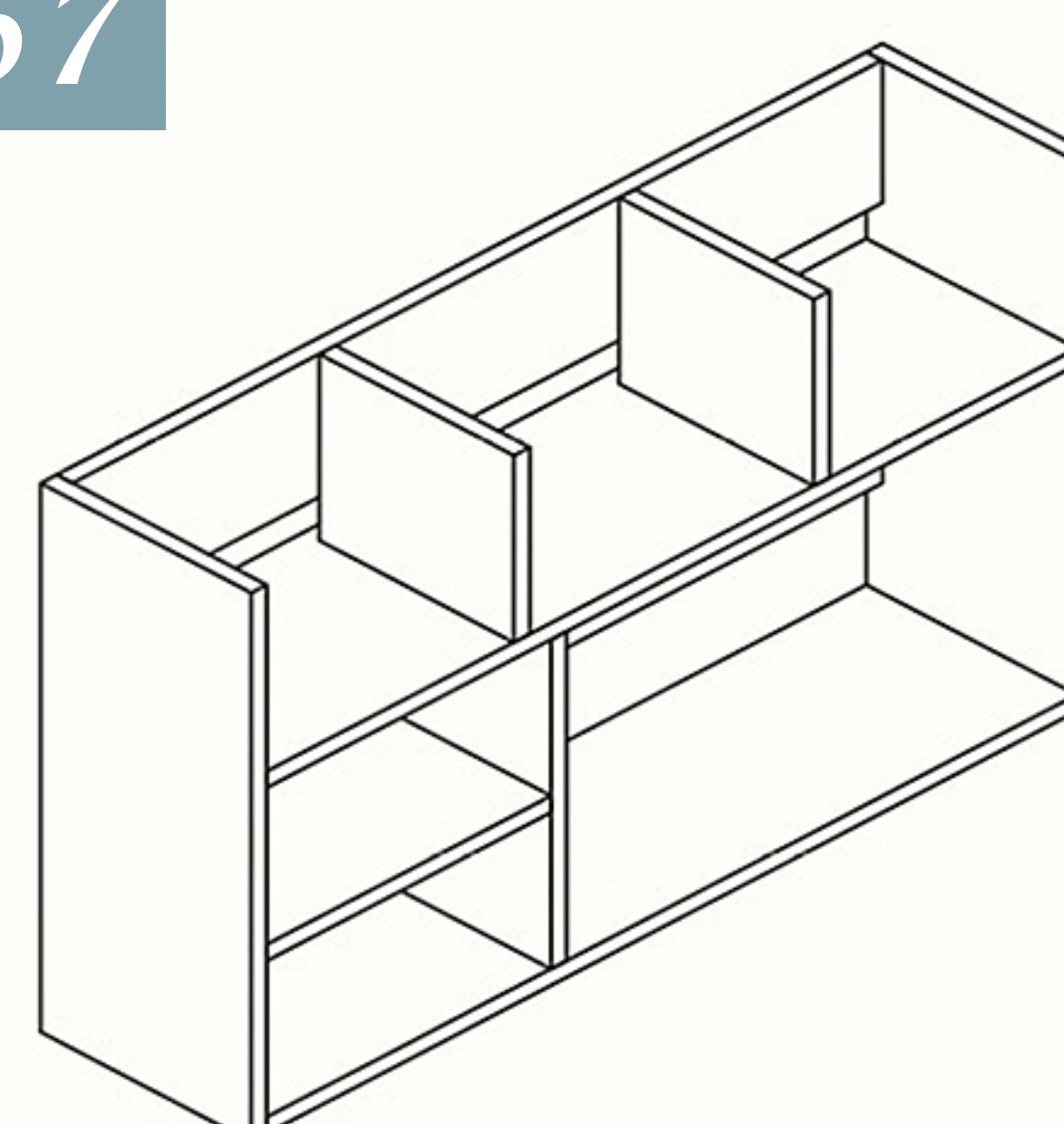
Insert cam parts (Bx30) into the corresponding holes on Board 5, and connect with Board 9 (Combination of board 4 and board 9).

step 6



Insert cam parts (Bx30) into the corresponding holes on Board 1 and 2, and connect with Board 4,5,6,7,8.

step 7



FINISH