

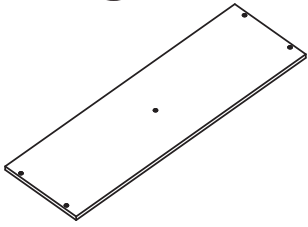
Dresser TV Stand

Instruction Manual



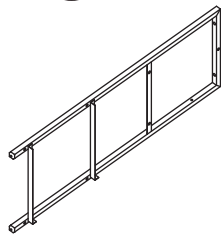
1 Component List

A X1



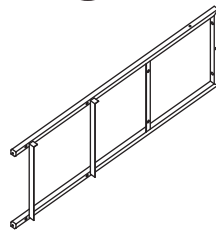
Top Board

B X1



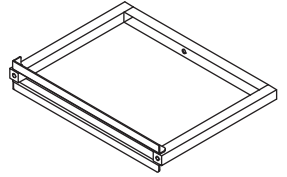
Side Frame

C X1



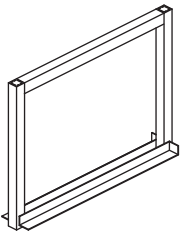
Side Frame

D X2



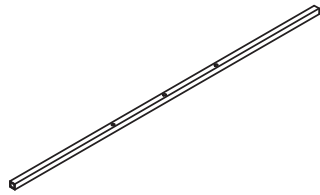
Middle Frame

E X1



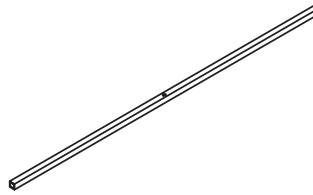
Middle Frame

F X2



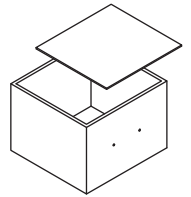
Cross Tube

G X3



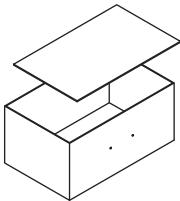
Cross Tube

H X3



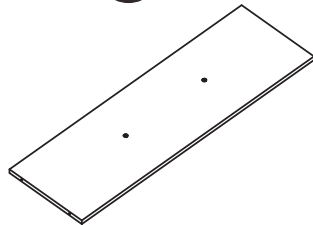
Drawer

I X2



Drawer

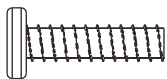
J X1



Middle Board

2 Supplied Parts and Hardware

1 X25



Bolts
M6x25mm

2 X4



Bolts
M6x12mm

3 X10



Bolts
M4x10mm

4 X5



Drawer Handle

5 X4



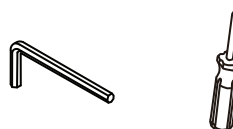
Adjusting Foot

6 X2

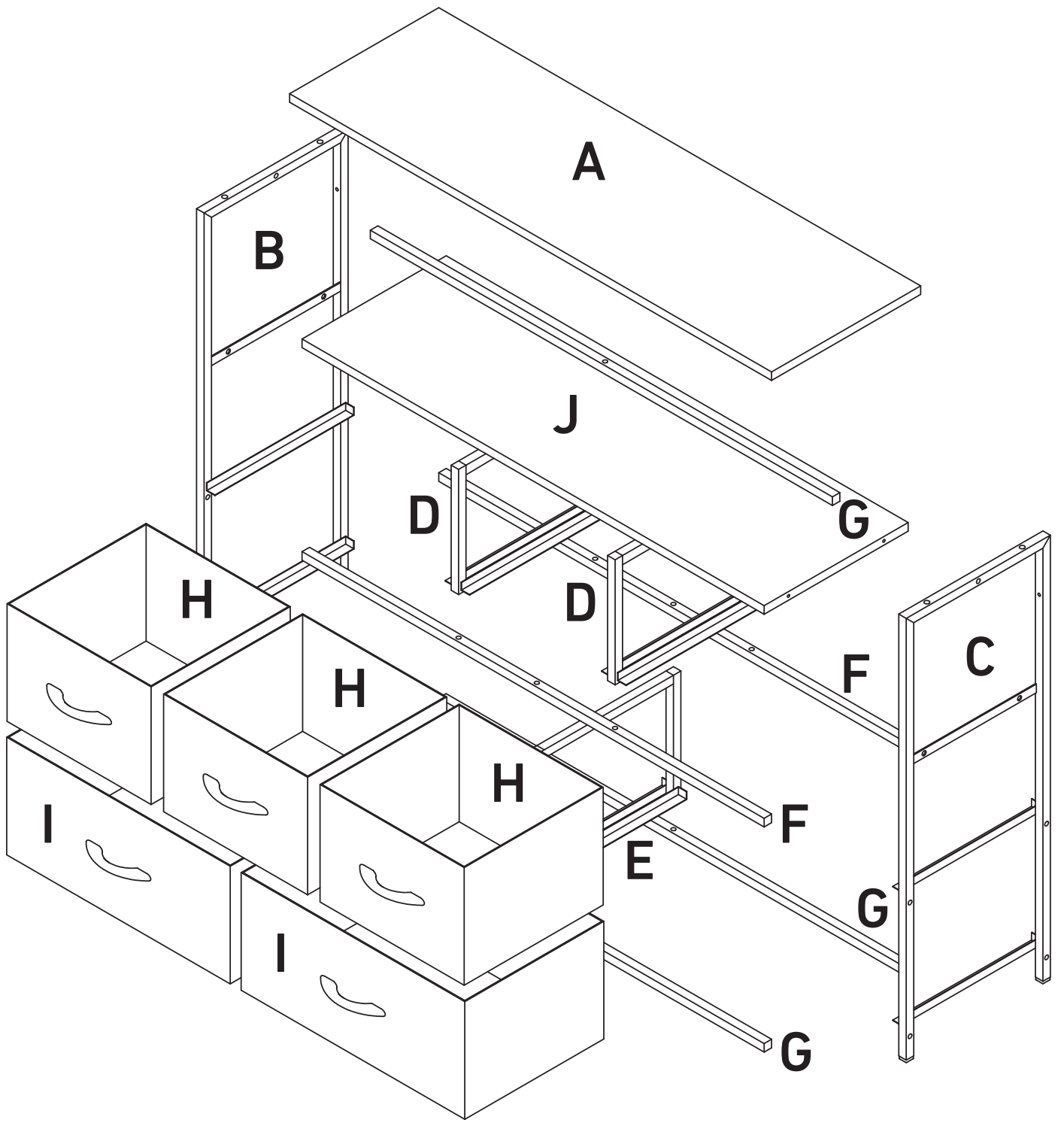


Bolts & Tube
M4x60mm

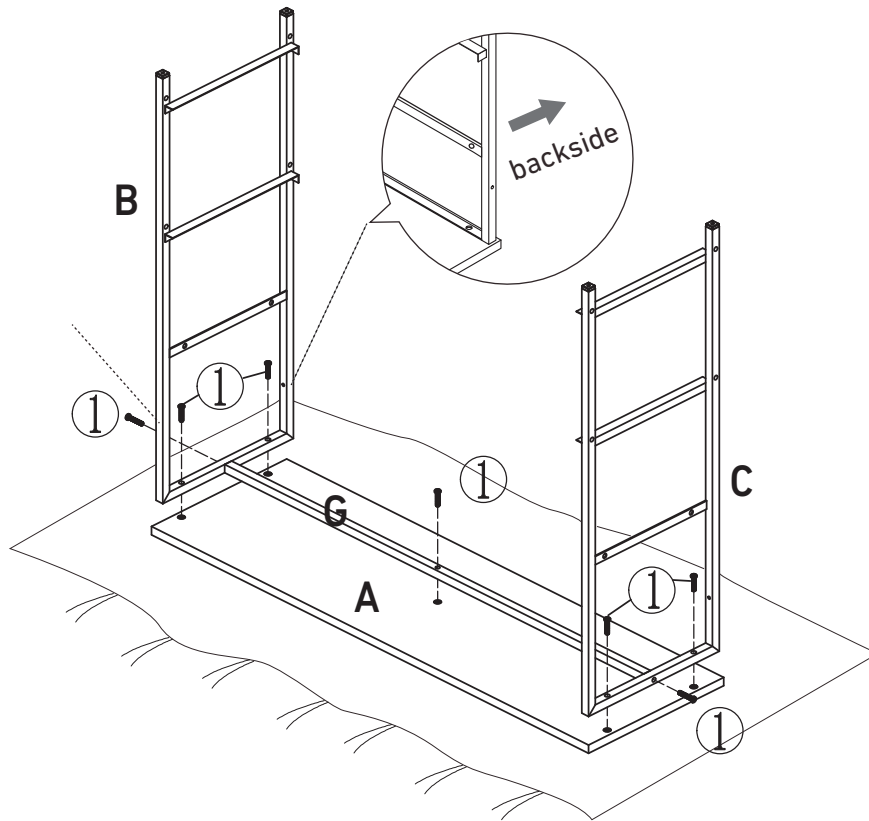
7



Wrench & Screwdriver



Step 1

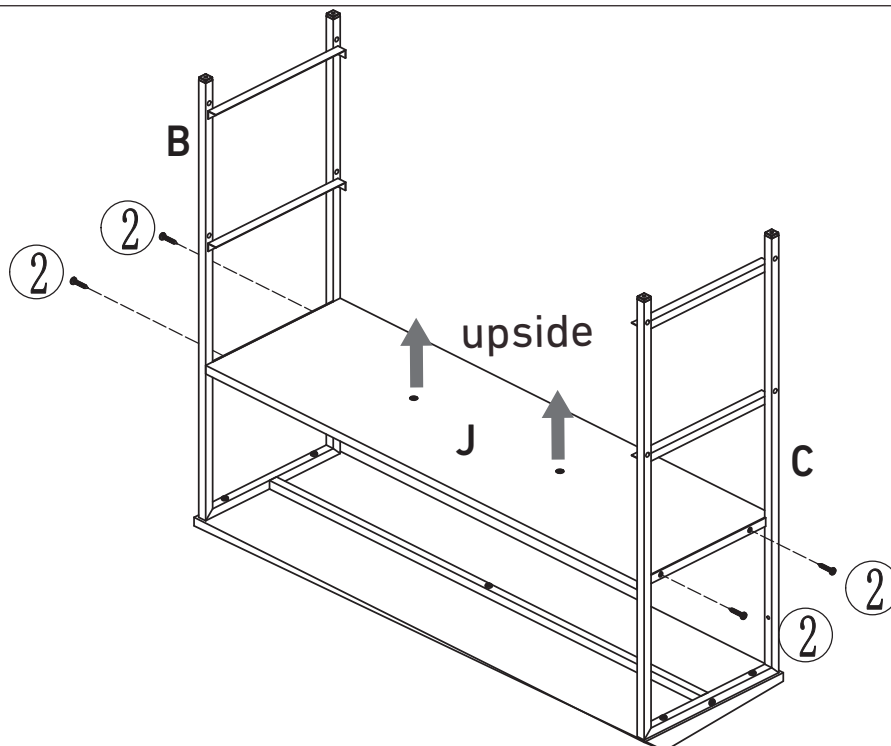


As shown, install Cross Tube (G) to the top of Side Frames (B&C) and fix (B&C&G) to the back of Top Board (A) with Bolts (1)*7.

NOTE:

1. Put a blanket under the Top Board to avoid scratches or damage.
2. Side Frames (B&C) face the same direction, with holes facing backward.

Step 2

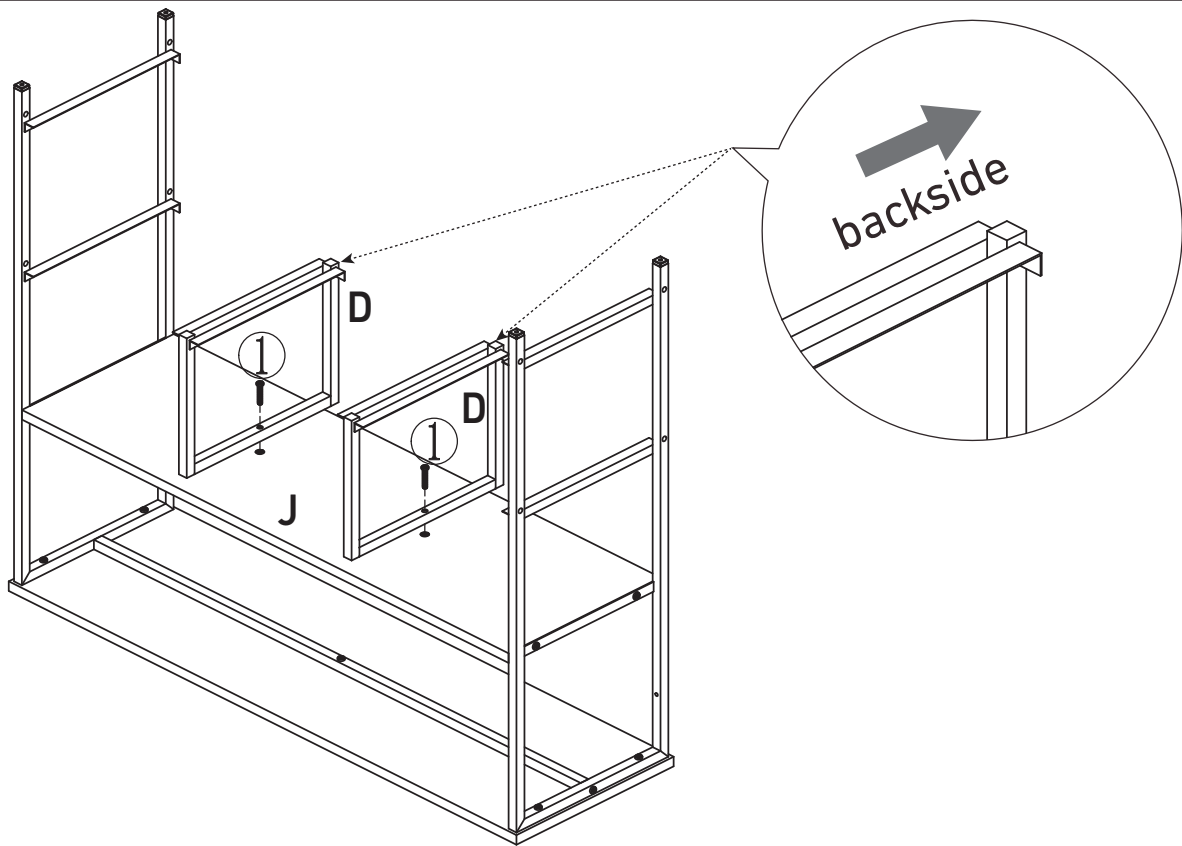


As shown, Install the Middle Board (J) to the Side Frames (B&C) with Bolts (2)*4.

NOTE:

- The back of Middle Board (J) with holes face upwards.

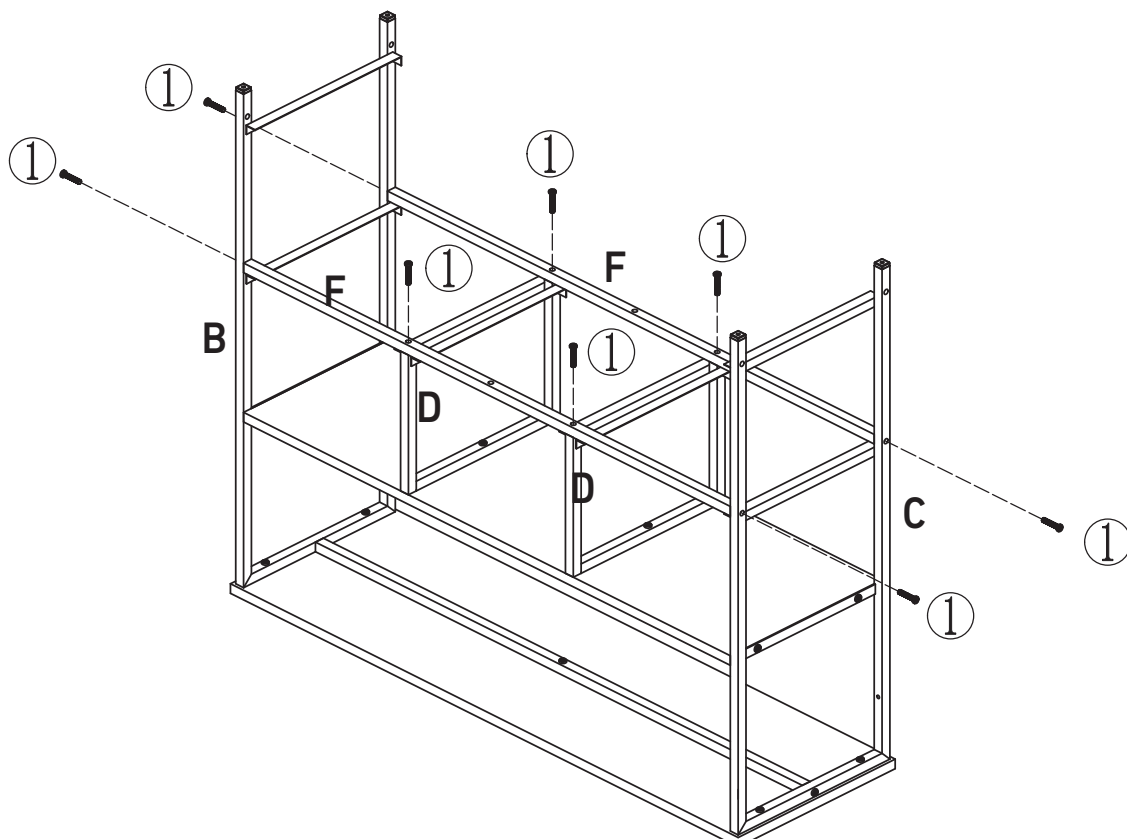
Step 3



Install Middle Frames (**D**)*2 to the Middle Board (**J**) with Bolts (**1**)*4.

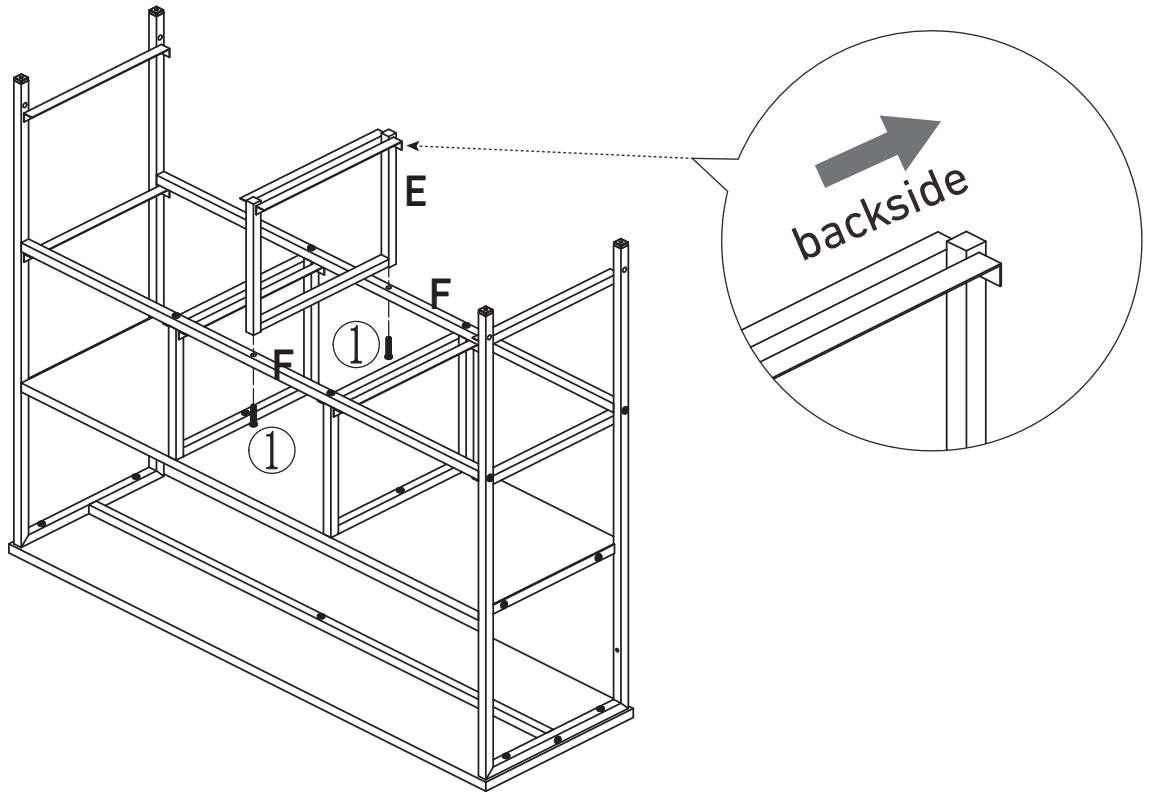
NOTE: Frames (**B&C&D**) face the same direction.

Step 4



Install Cross Tubes (**F**)*2 to the Frames (**B&C&D**) with Bolts (**1**)*8.

Step 5

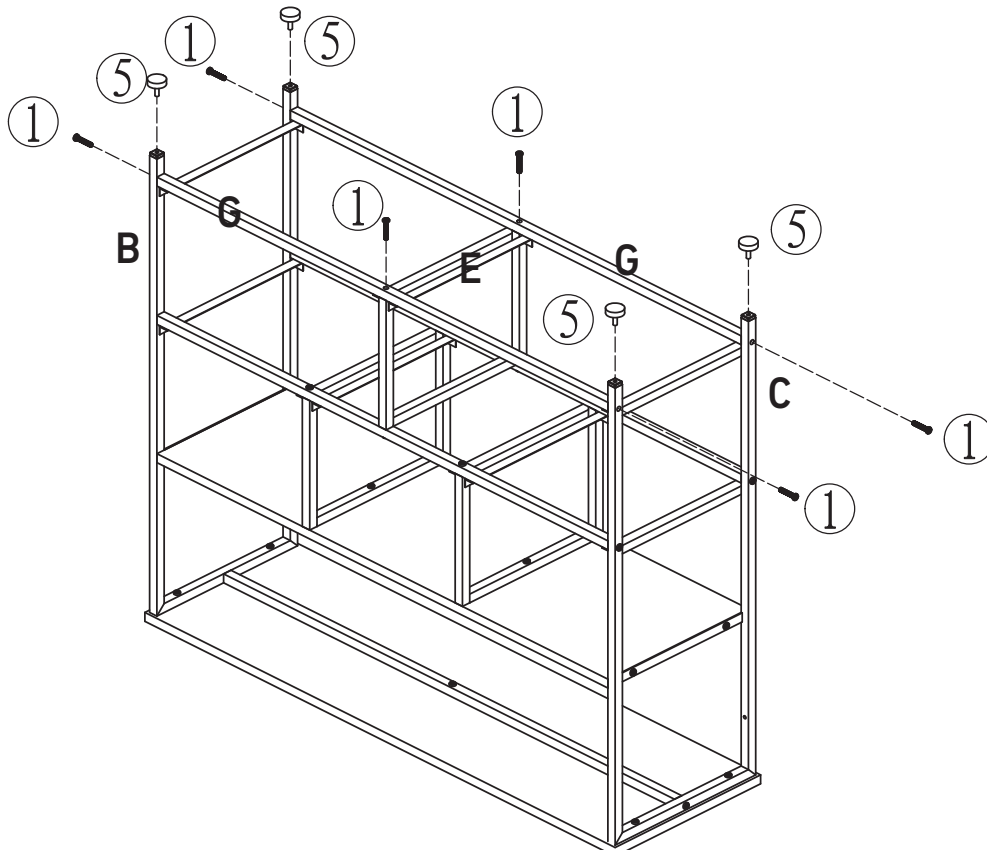


Install Middle Frame (E) to Cross Tube (F) with Bolts (1)*2.

NOTE:

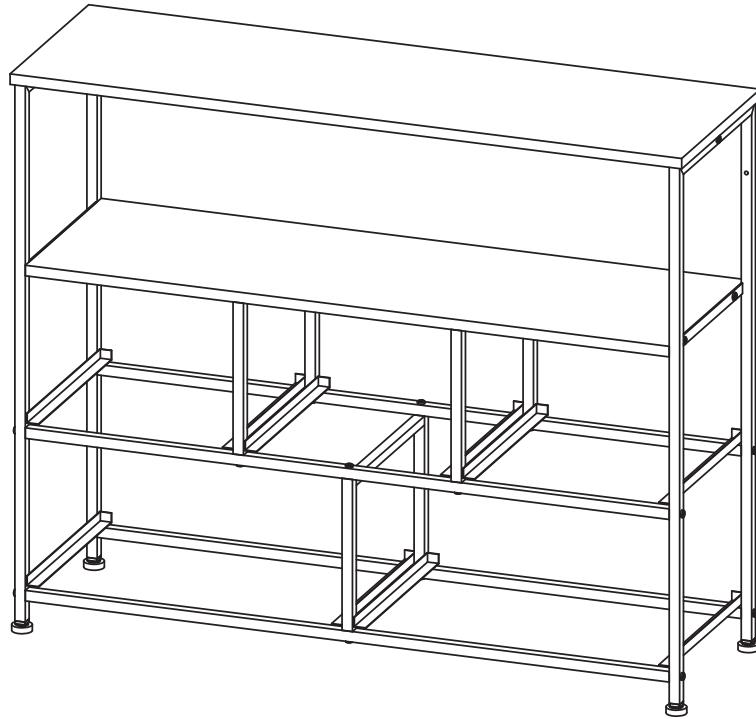
Frames (B&C&E) face the same direction.

Step 6



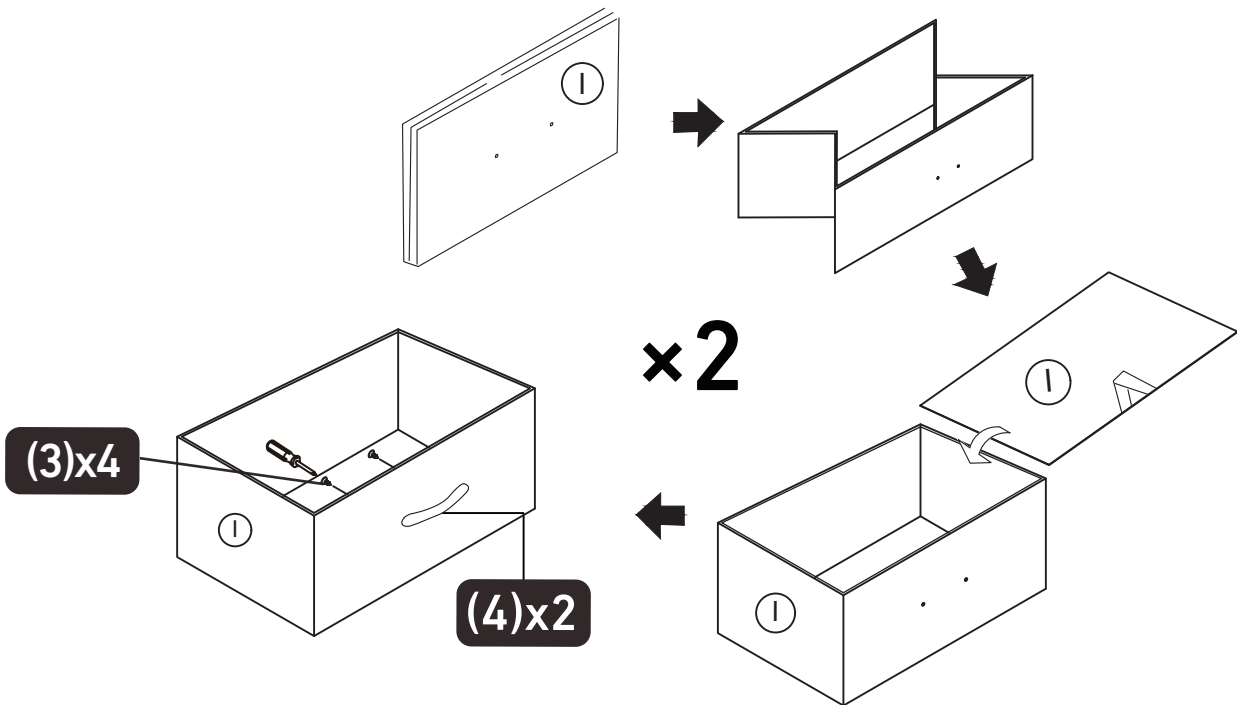
Install Cross Tube (G)*2 to the Frames (B&C&E) with Bolts (1)*6.
Then Install Adjusting Foot (5)*4 to the Side Frames (B&C).

Step 7



Turn the Dresser face up.

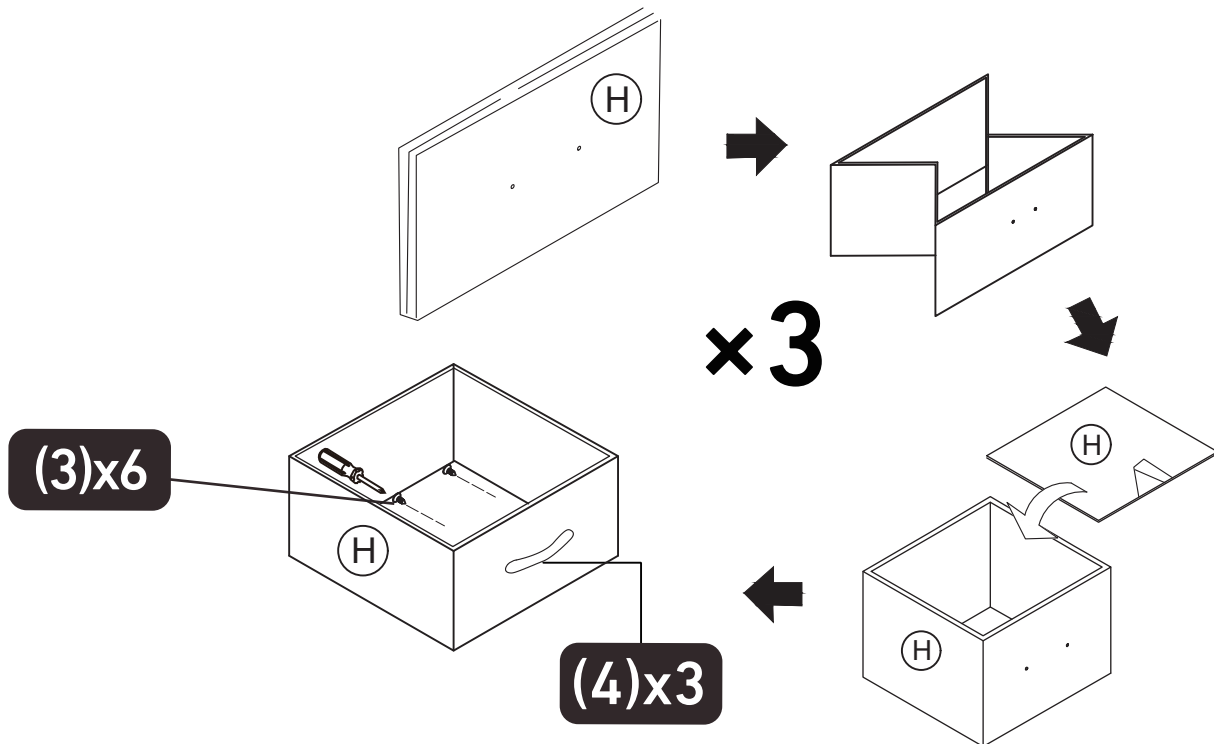
Step 8



Place Base Board for Drawer(1) into the expanded Drawer(1), and install the Drawer Handle (4) with Bolts(3)*2.

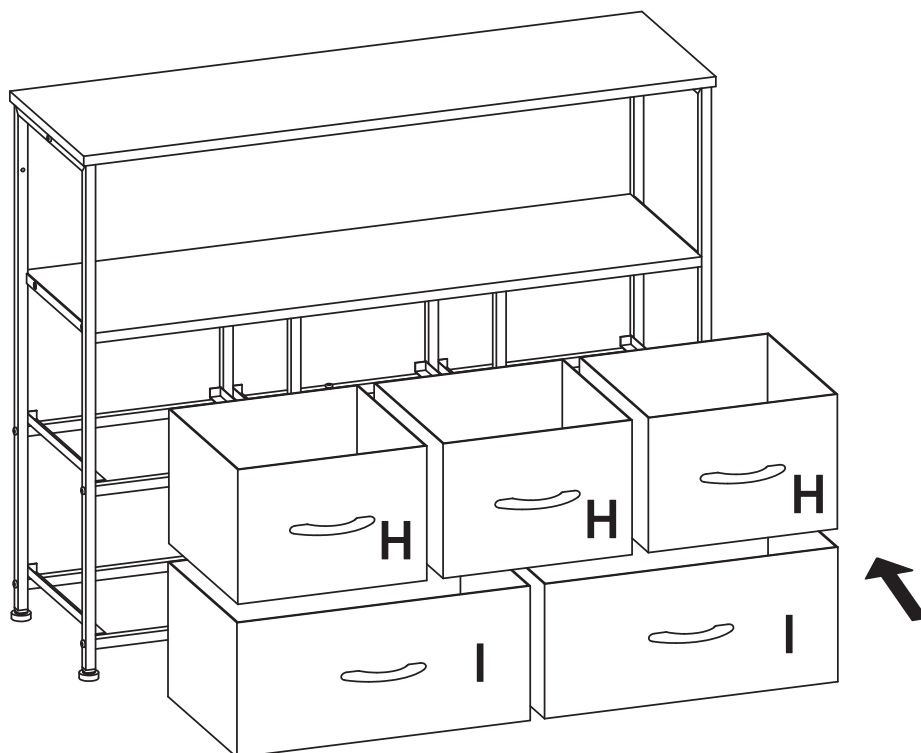
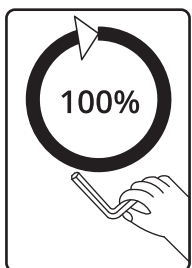
Install the two Drawers (1)*2 in the same way.

Step 9



Install Drawer (H)*3, Base Board for Drawer(H)*3 and drawer handle (4)*3 in the same way as in the previous step.

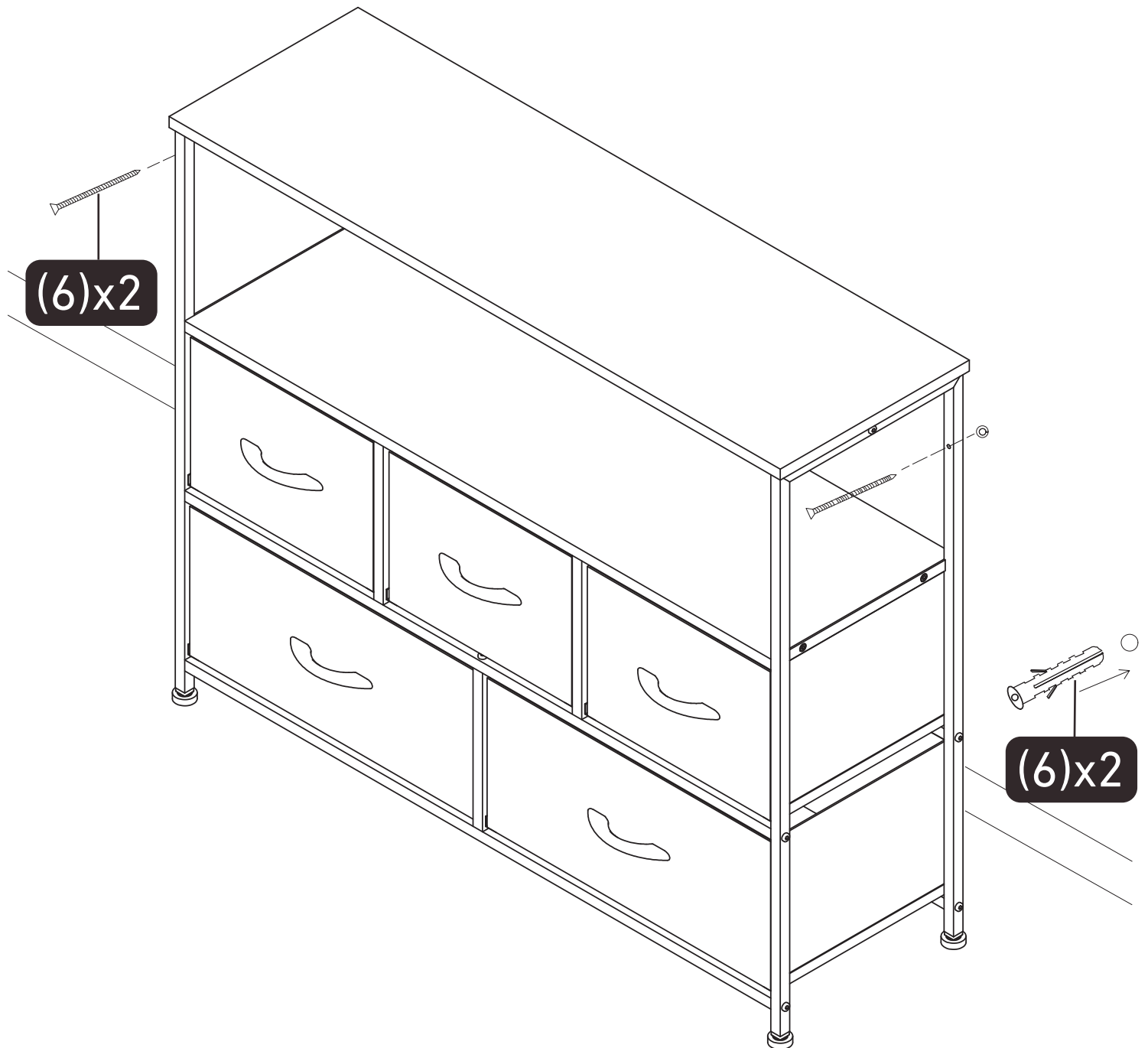
Step 10



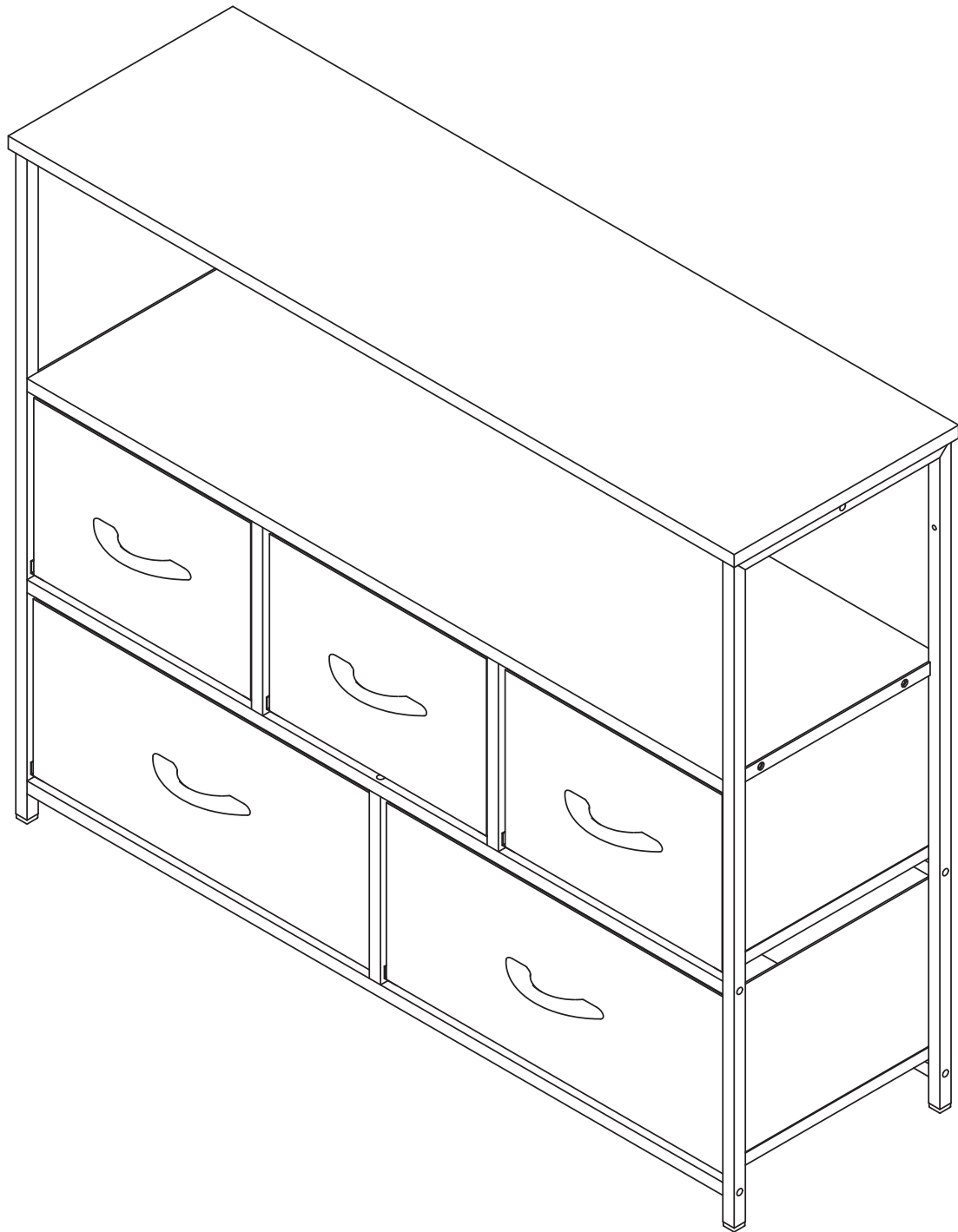
Place the installed Drawers into the Dresser.

NOTE: Make sure all Bolts are 100% tightened before use.

Step 11



If you need to fix the Dresser TV Stand to the wall, drill holes in the wall with an electric drill, then insert Expansion Tube **(6)*2** and fix the Dresser TV Stand with Bolts **(6)*2**.



Thank you for choosing this product. We strive to provide you with the best quality products and services in the industry. Should you have any issues, please don't hesitate to contact us.