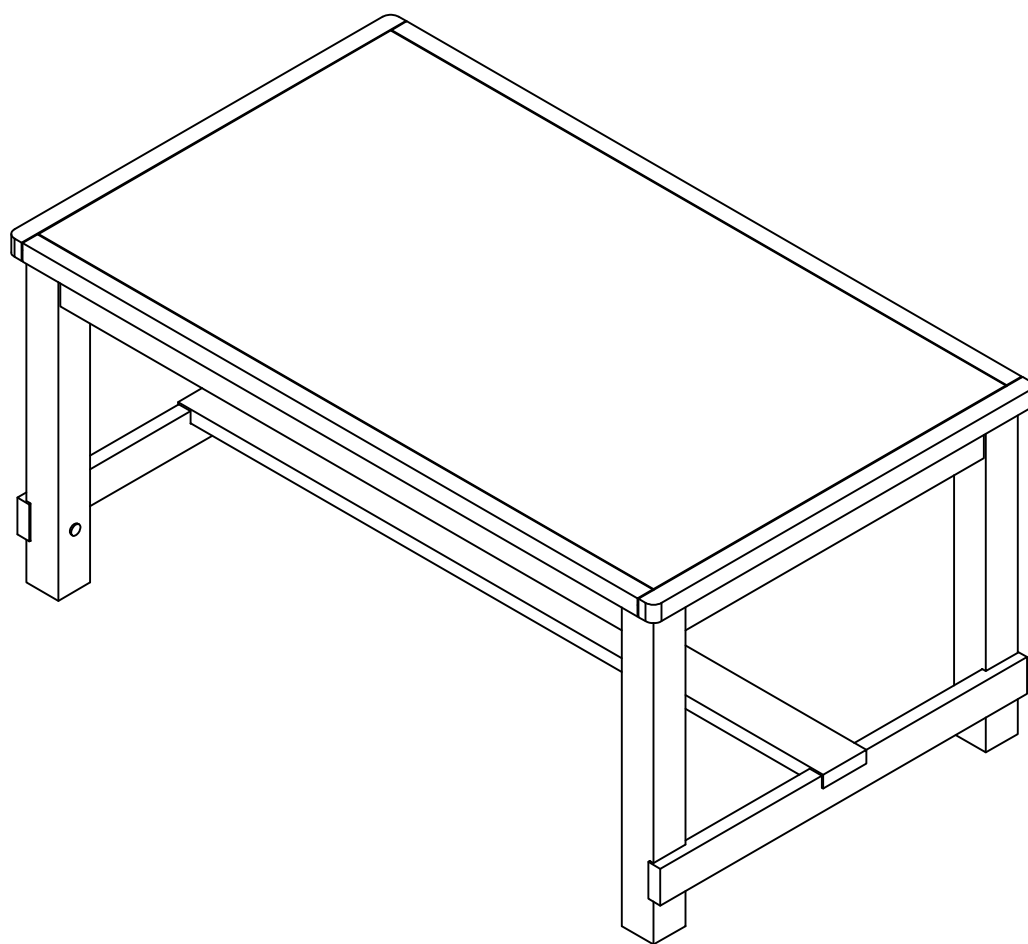
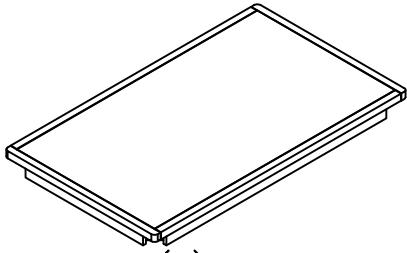


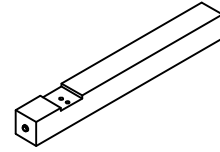
Assembly Instructions



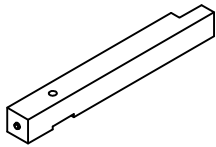
PARTS LIST



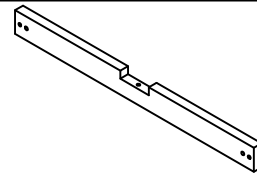
(1) Table Top 1 Pc



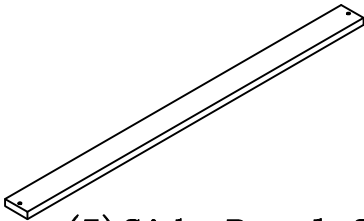
(2) Left Leg 2 Pcs



(3) Right Leg 2 Pcs



(4) Side Panel 2 Pcs

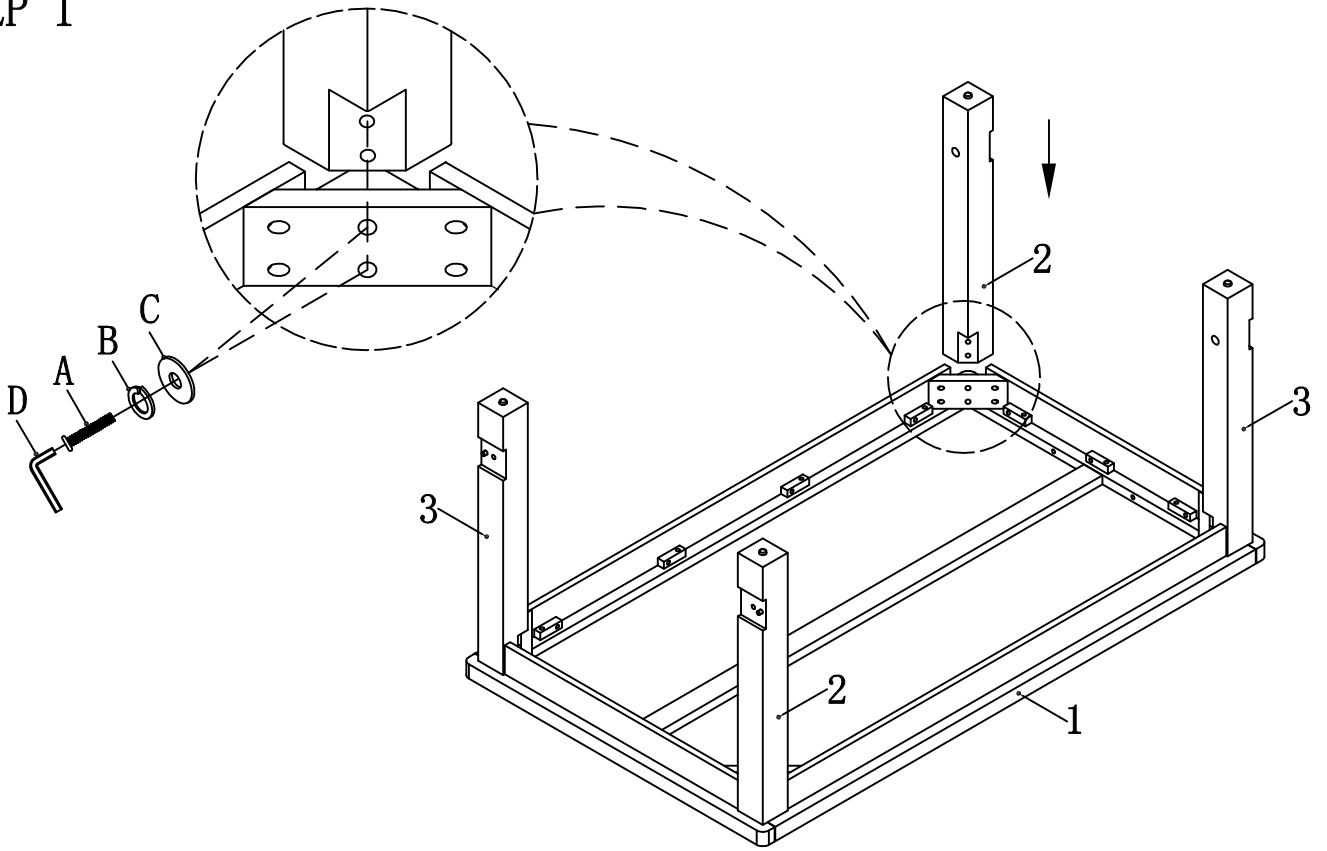


(5) Side Panel Support 1 Pc

HARDWARE LIST

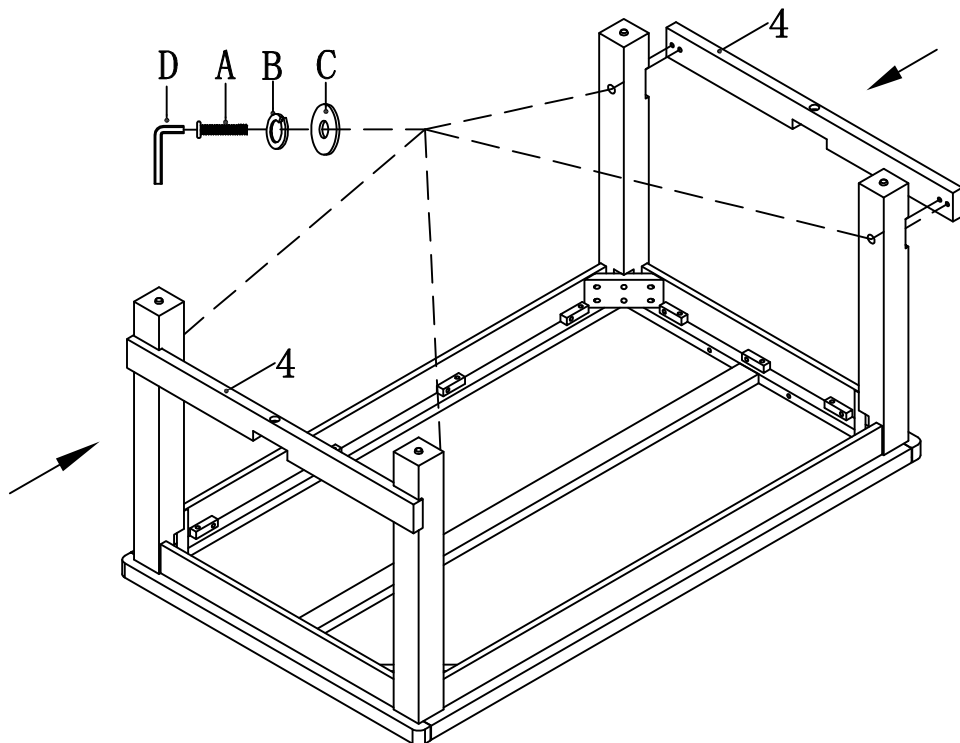
NO	SKETCH	DESCRIPTION	SIZE	Q' TY
A		Bolt	$\phi 5/16'' \times 2-1/2''$	14 Pcs
B		Lock Washer	$\phi 5/16''$	14 Pcs
C		Flat Washer	$\phi 5/16'' \times 19\text{mm}$	14 Pcs
D		Allen Wrench	$\phi 5 \text{ mm}$	1 Pc
E		Wooden Plug	$\phi 23 \times 19\text{mm}$	4 Pcs

STEP 1

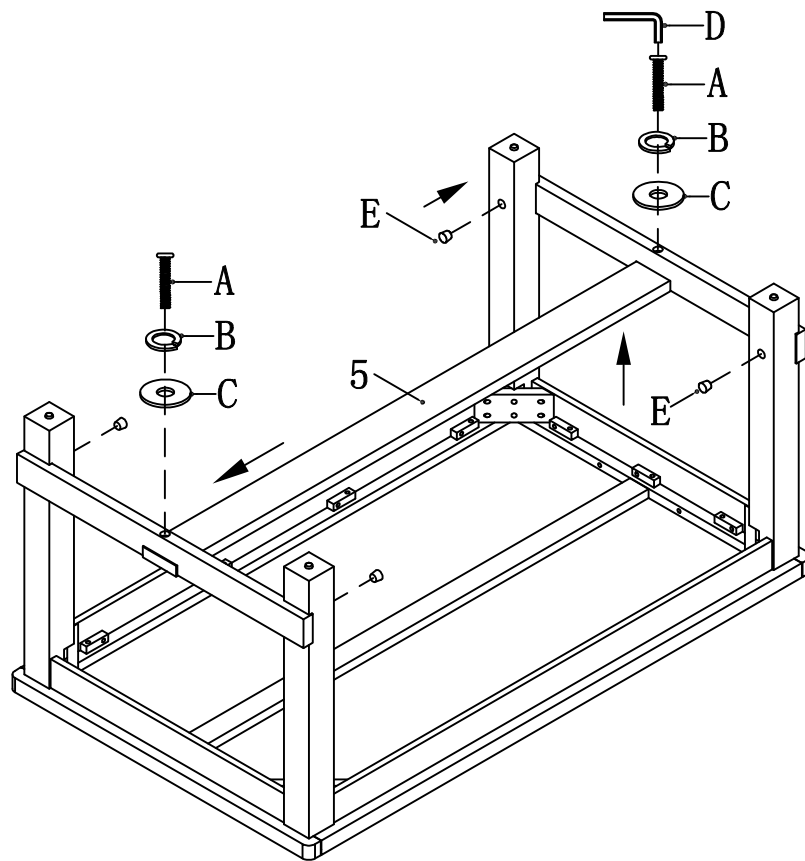


NOTE: Do not fully tighten the bolts in this step.

STEP 2



STEP 3



NOTE: Please tighten all the bolts in this step.

STEP 4

Completed assembly,
now your table is ready .

