

Rattan weaving & Comfortable sitting

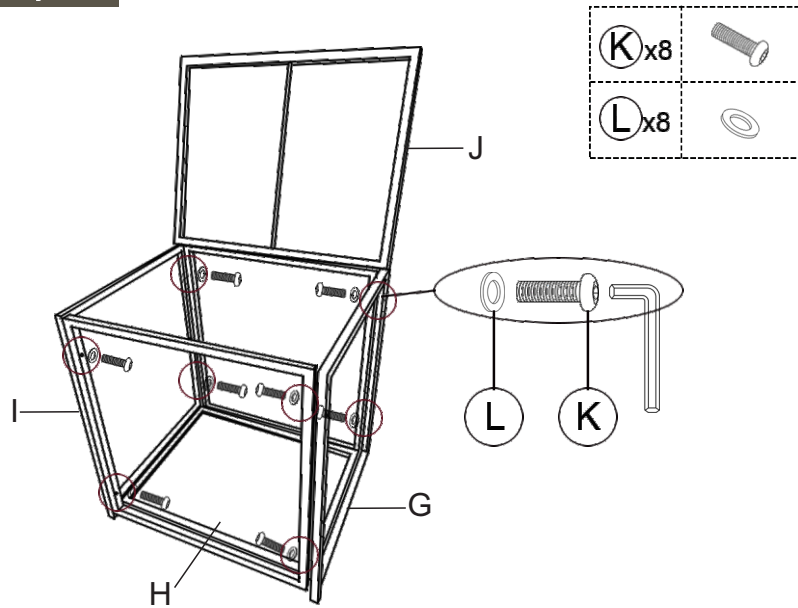
We have carefully selected high-quality sustainable materials to create durable and elegant products that are not only comfortable to sit on, but also environmentally friendly.



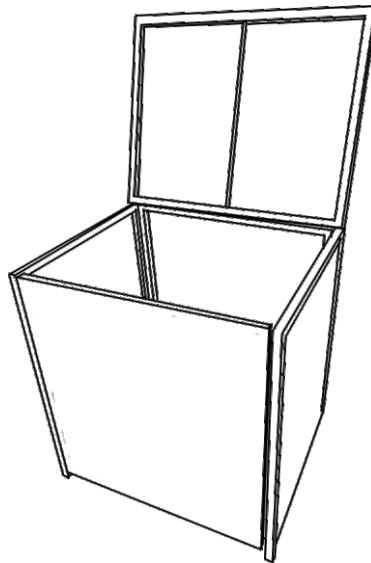
3PC Rattan Garden Furniture INSTRUCTION








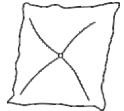

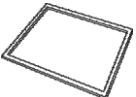
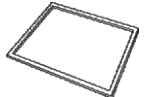






Step 5



Step 6



Parts List

 (A)x2	 (B)x2	 (C)x2
 (D)x2	 (E)x2	 (F)x2
 (G)x2	 (H)x1	 (I)x1
 (J)x1	 (K)x12 M6 x 30	 (L)x12
 (M)x1	 (N)x24 M6 x 35	 (O)x24

Notice

Please do not exceed the weight limitations of this item.

Do not stand on or use any part of this item as a step ladder.

Firmly secure all bolts, screws and knobs before use.

Reconfirm that all bolts, screws, and knobs are secure every 90 days.

Fasten screws loosely during initial assembly. Do not firmly tighten the screws until the item is completely assembled.

Do not use or store this item in the proximity of open flame or flammable/combustible chemicals.

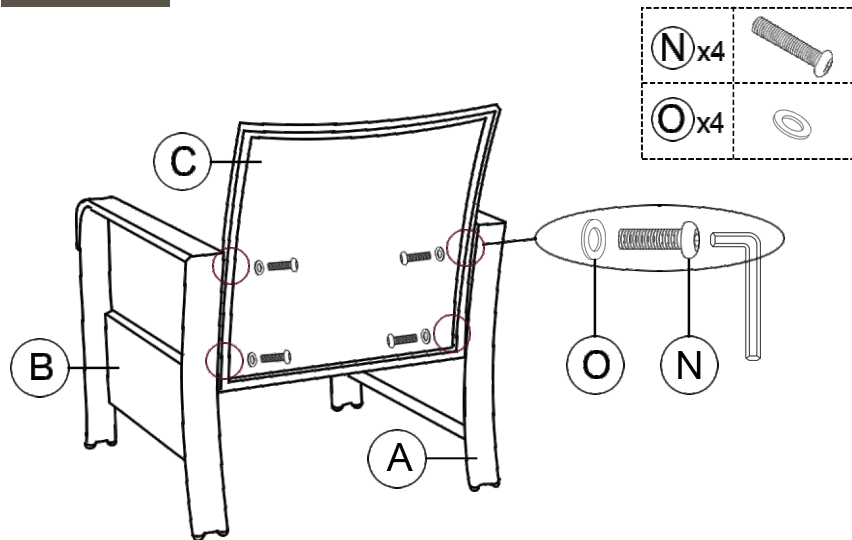
If any parts are missing, broken, damaged, or worn, stop using this product until repairs are made and/or factory replacement parts are installed.

Do not use this item in a way inconsistent with the manufacturer's instructions as this could void the product warranty.

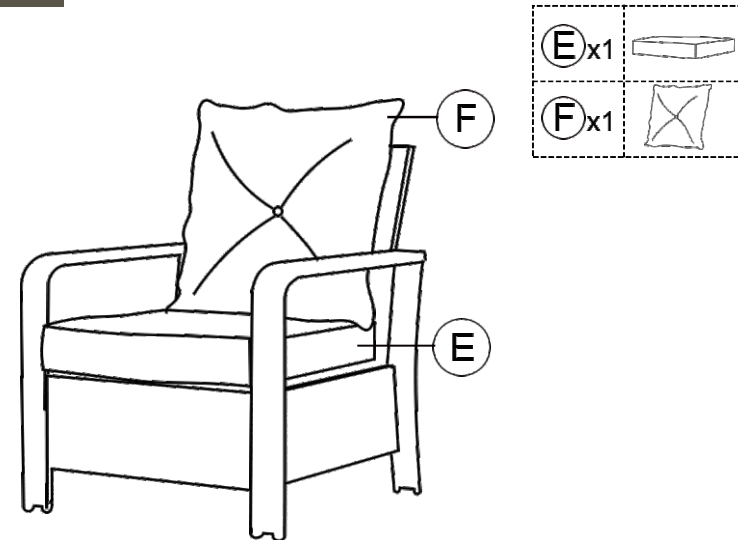
Tools Required



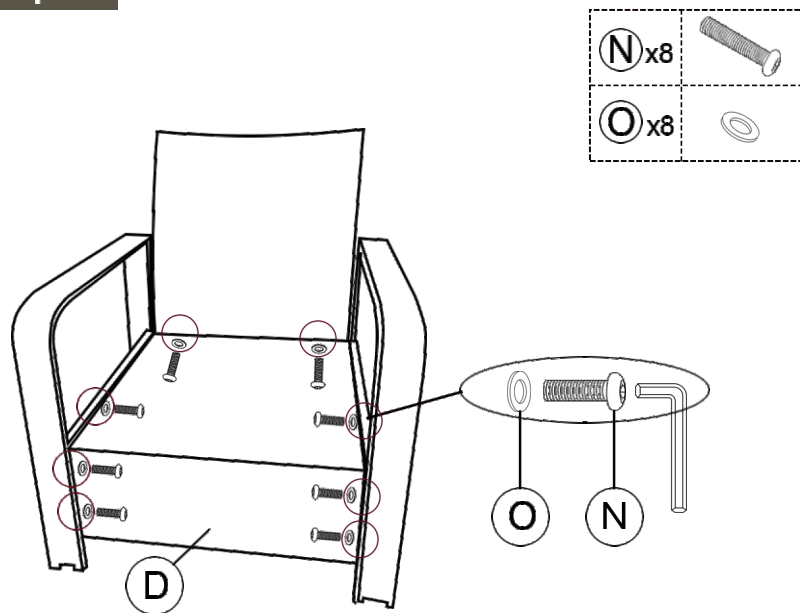
Step 1



Step 3



Step 2



Step 4

