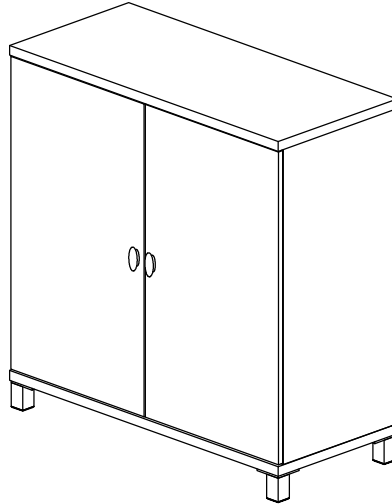
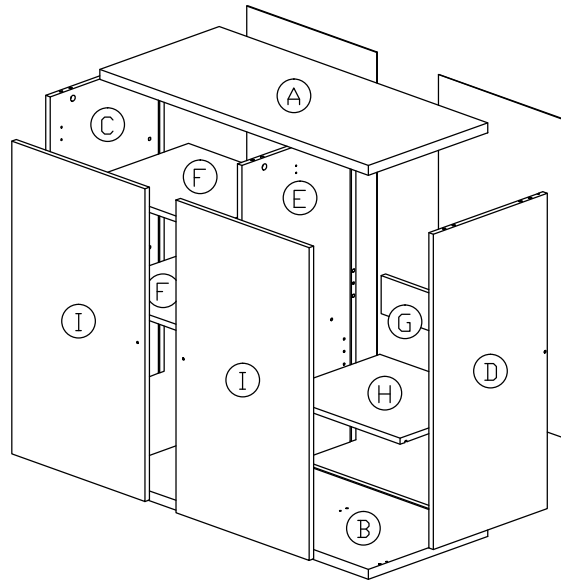


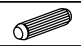
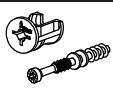

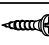

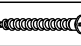

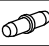

Assembly Instruction



Part List



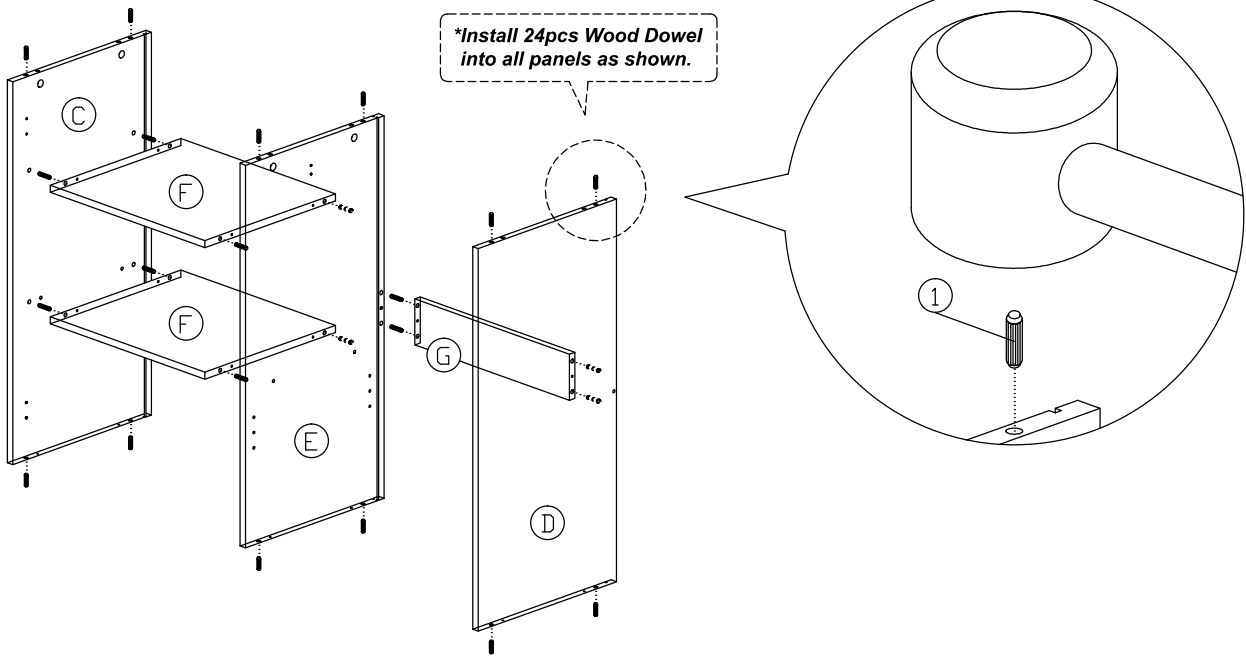
Hardware List

No.	SHAPE	DESCRIPTION	Qty.
1		8x25mm Wood Dowel	24Pcs
2		15MM Titus Mini Fix	6Sets
3		TP 10#x1/2" Screw	16Pcs
4		M3.5x15mm Screw	16Pcs
5		M3x16mm Screw	4Pcs
6		M5x38mm Screw	6Pcs
7		M4x50mm Screw	6Pcs
8		Shelf Support	4Pcs
9		Handle (P058) - Plastic Handle Screw M3.6x24mm	2Sets

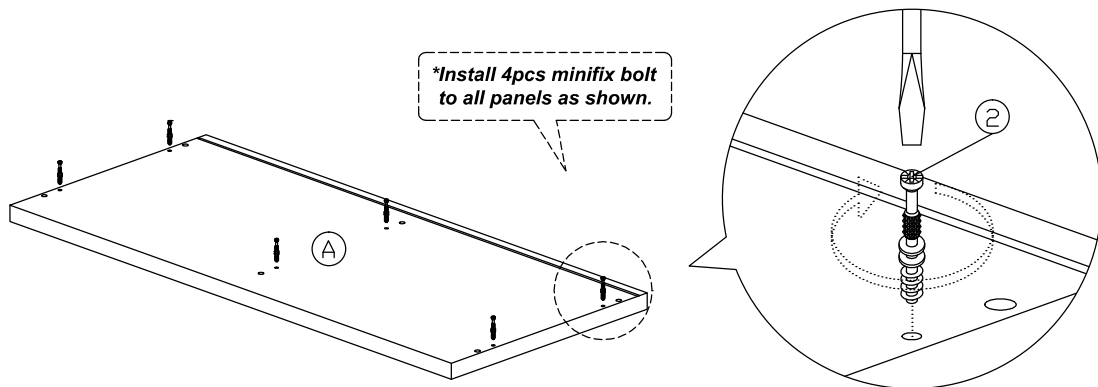
10		Z Bracket	2Pcs
11		Hinges (F011)	4Sets
12		15mm Minifix Cap	6Pcs
13		Screw Cap	3Pcs
14		Nail	8Pcs
15		Plastic Sofa Leg (H 70mm)	4Pcs
16		Metal Hook	5Pcs
17		V Bracket	2Pcs
18		Cylinder Pipe (chrome - 420mm)	1Pc

Assembly Instruction

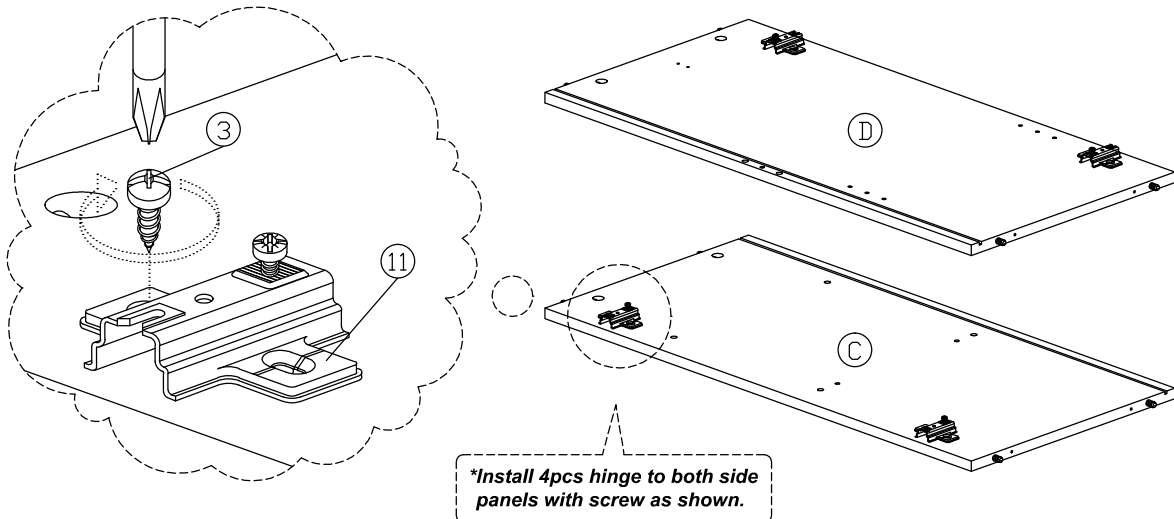
Step 1



Step 2

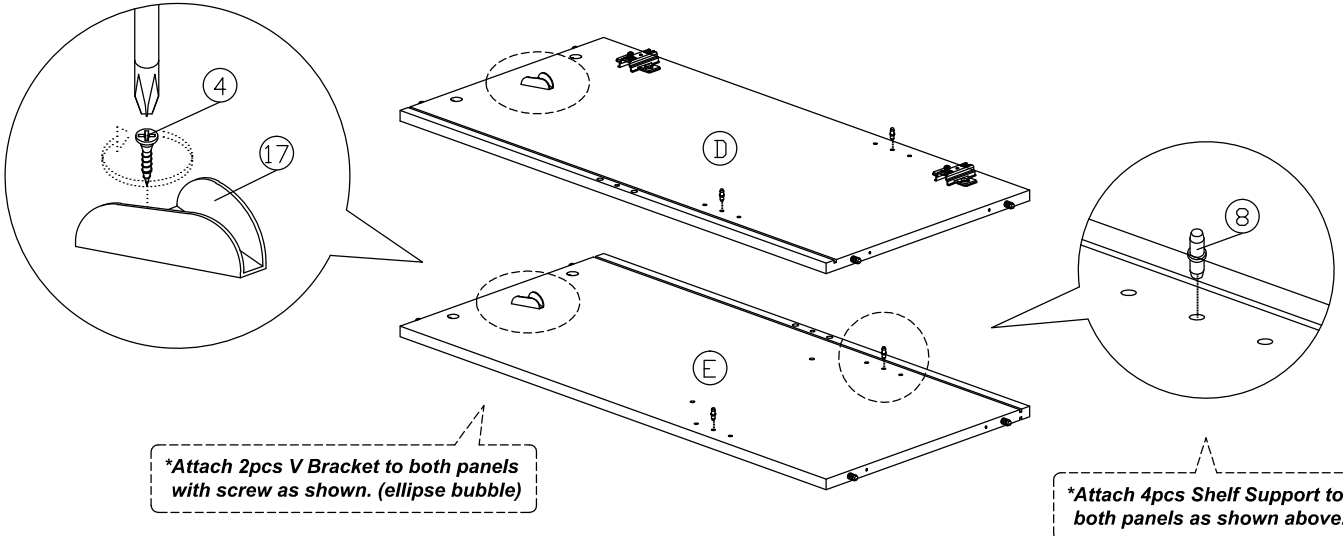


Step 3

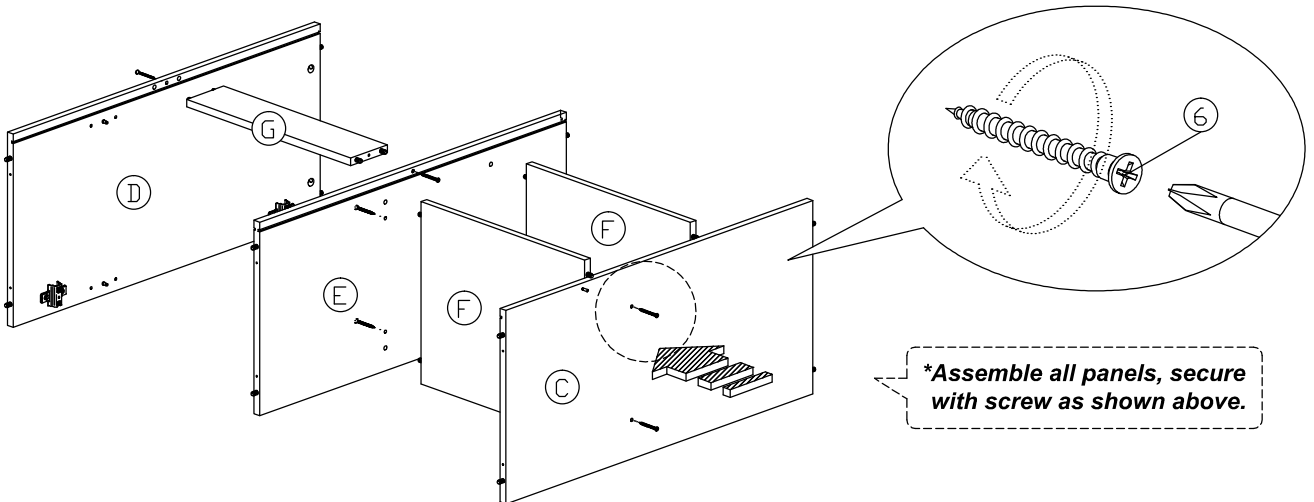


Assembly Instruction

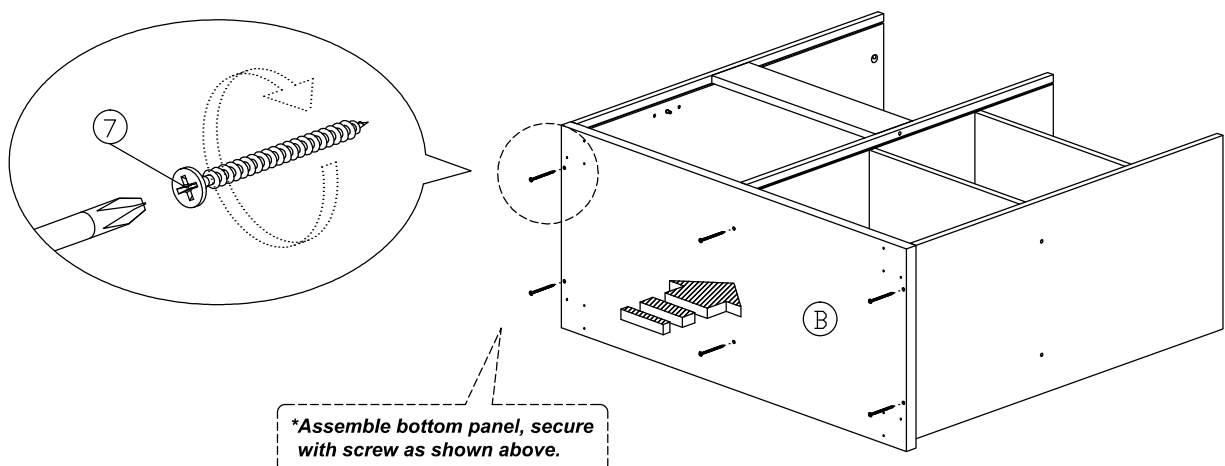
Step 4



Step 5

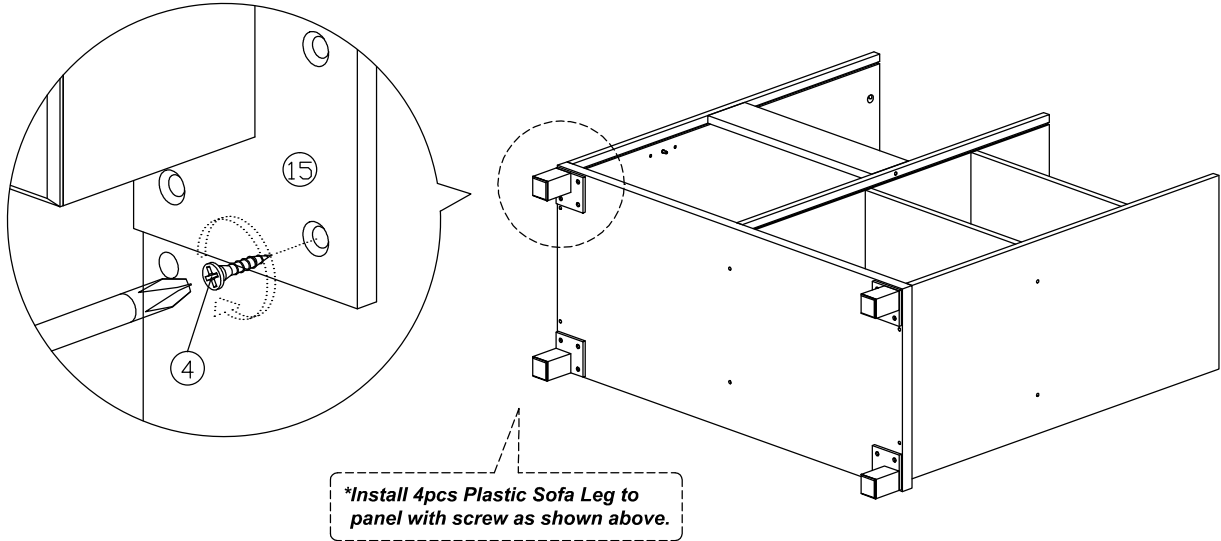


Step 6

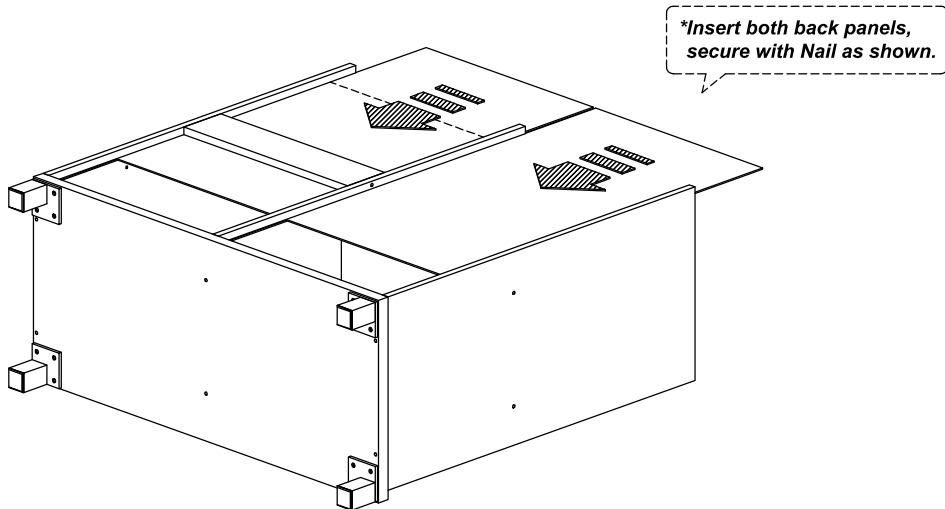


Assembly Instruction

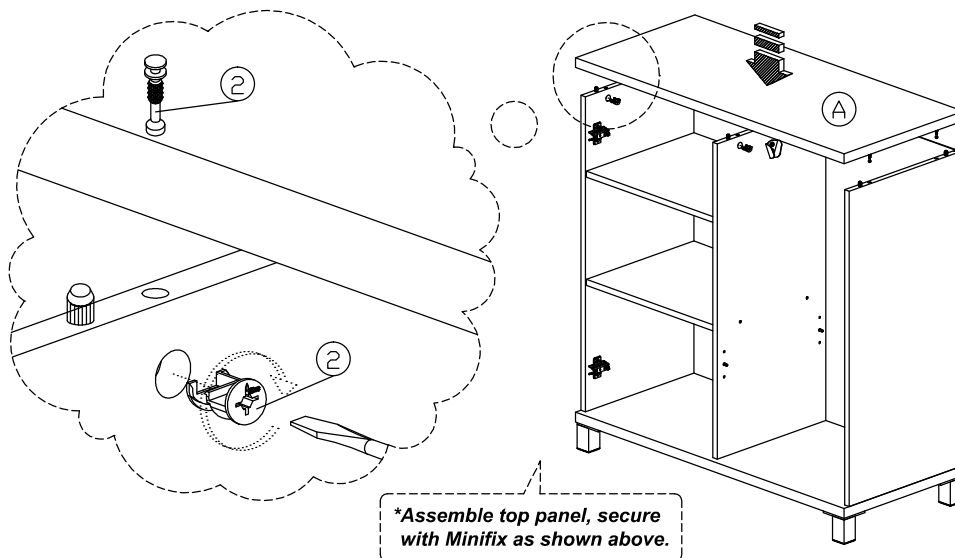
Step 7



Step 8



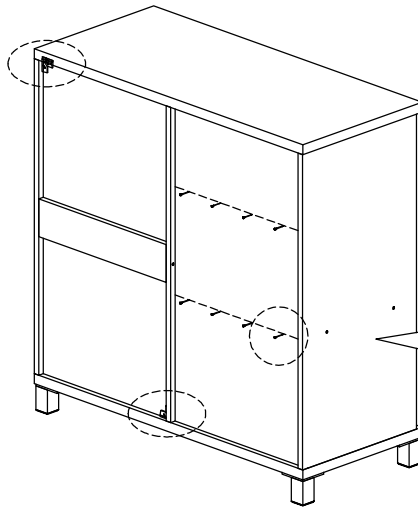
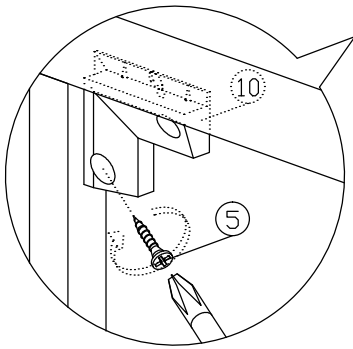
Step 9



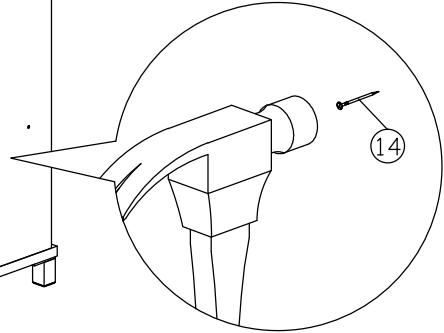
Assembly Instruction

Step 10

**Install Z Bracket with screw as shown. (ellipse bubble)*

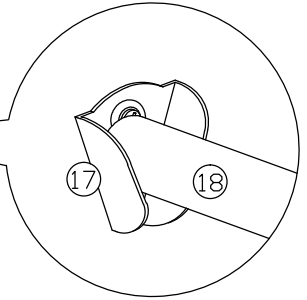
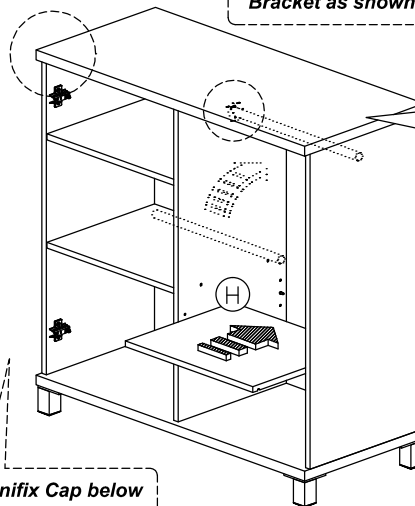
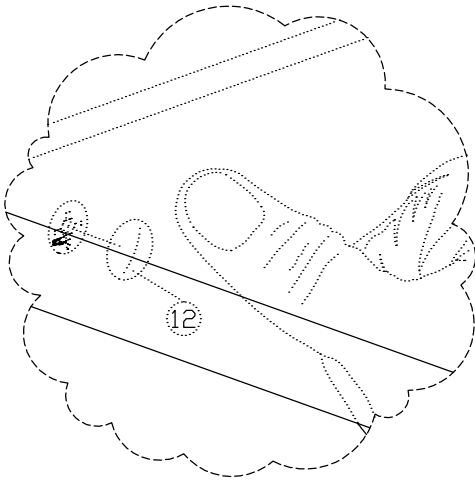


**Secure back panel with Nail as shown.*



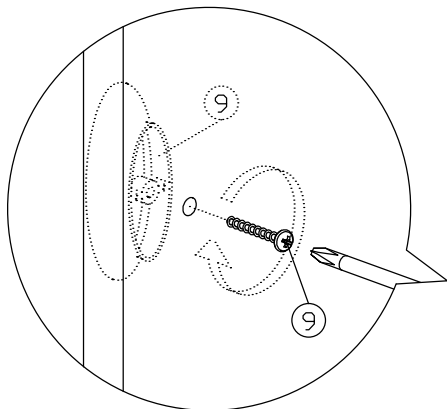
Step 11

**Place Pipe to V Bracket as shown.*

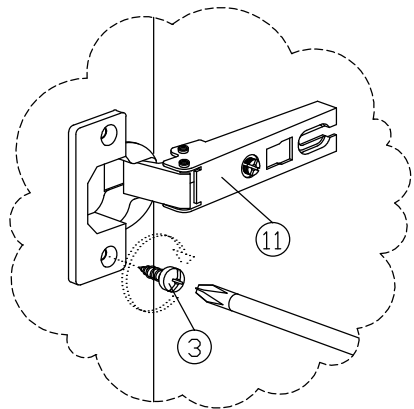
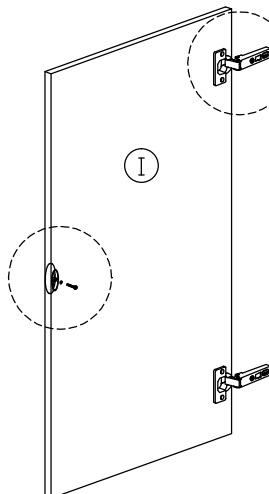


**Attach 6pcs Minifix Cap below on top panel as shown.*

Step 12



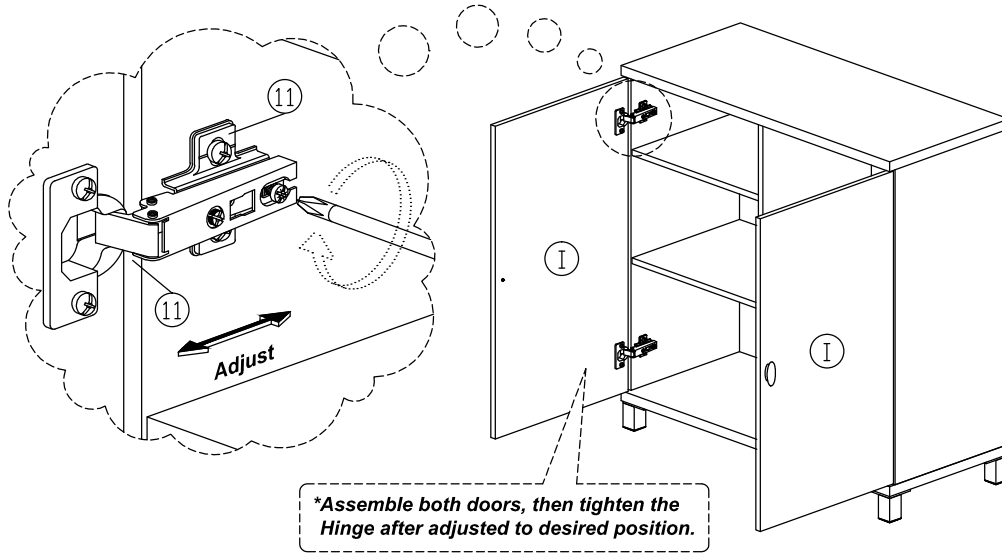
**Install Handle to both doors with screw as shown.*



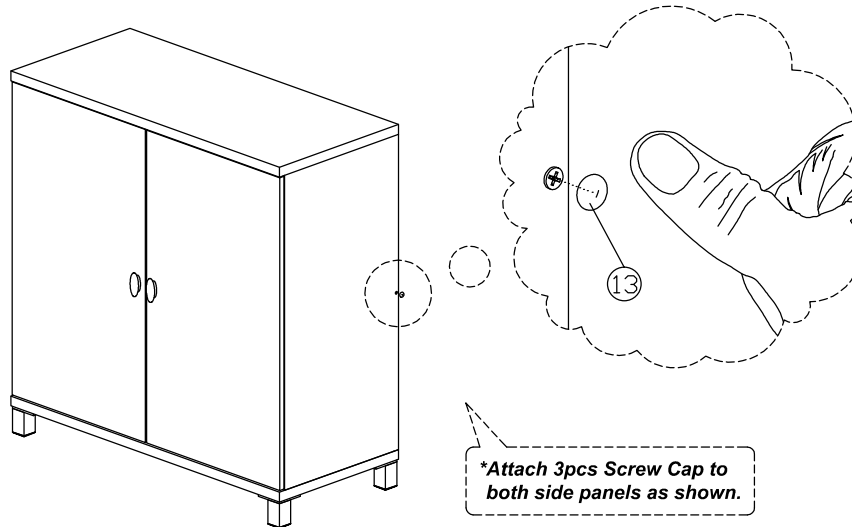
**Install Hinges (F011) with screw as shown.*

Assembly Instruction

Step 13



Step 14



Complete

