

INSTALLATION & USER MANUAL

CEILING FAN WITH LIGHT

JT01 / JT02 / JT03

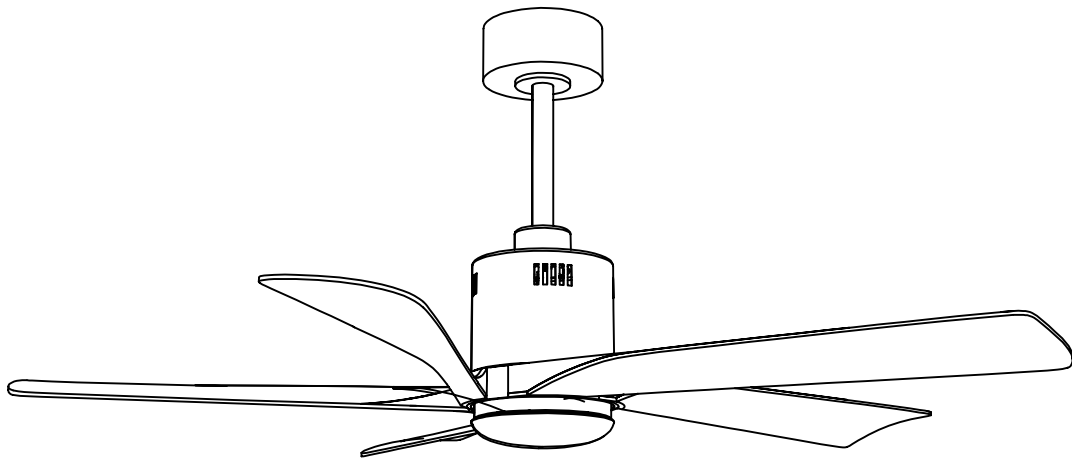


Table of Contents

Table Of Contents.....	2	Installation Instructions.....	5-11
Safety Information.....	2	App Pairing.....	12
Dimension Reference.....	3	Troubleshooting Guide.....	13
Hardware Included.....	3	Balancing Kit.....	14
Fan Parts Included.....	3	Customer Service.....	14
Exploded View.....	4		

Safety Information

READ AND SAVE THESE INSTRUCTIONS.

1. To reduce the risk of electric shock, ensure electricity has been turned off at the circuit breaker or fuse box before you begin.
2. All wiring must be in accordance with the National Electrical Code “ANSI/NFPA 70” and local electrical codes. Electrical installation should be operated by a qualified licensed electrician.
3. The outlet box and support structure must be securely mounted and capable of reliably supporting a minimum of 35 lbs (15.9 kg). Use only UL Listed outlet boxes marked “Acceptable for Fan Support of 35 lbs. (15.9 kg) or less.”
4. Do not place objects in the path of the blades.
5. To clean the fixture, turn off the power, wait for it to cool, and wipe the fixture with a clean, soft cloth.
6. After making electrical connections, spliced conductors should be turned upward and pushed carefully up into the outlet box. The wires should be spread apart with the grounded conductor and the equipment grounding conductor on one side of the outlet box and ungrounded conductor on the other side of the outlet box.
7. All set screws must be checked and tightened where necessary before installation.



WARNING: To reduce the risk of electrical shock or fire, not use this fan with any solid-state fan speed control device. It will permanently damage the electronic circuitry.



WARNING: To reduce the risk of personal injury, do not bend the blade brackets when installing the rackets balancing the blades, or cleaning the fan.



WARNING: To reduce the risk of fire, electric shock or personal injury, mount to outlet box marked “acceptable for fan support of 35 lbs. (15.9 Kg) or less” and use screws provided with the outlet box.



WARNING: To avoid possible electrical shock, turn the electricity off at the main fuse box before wiring.



WARNING: To reduce the risk of electrical shock, this must be installed with an isolating wall control / switch.



CAUTION: To reduce the risk of personal injury, use only the screws provided with the outlet box.



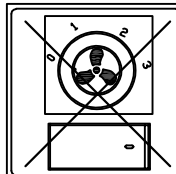
CAUTION: Please use carefully when working around or cleaning the fan to avoid injury or damage of fan.



CAUTION: The fan must be mounted with a minimum of 7 ft (2.1 m) clearance from the trailing edge of the blades to the floor.

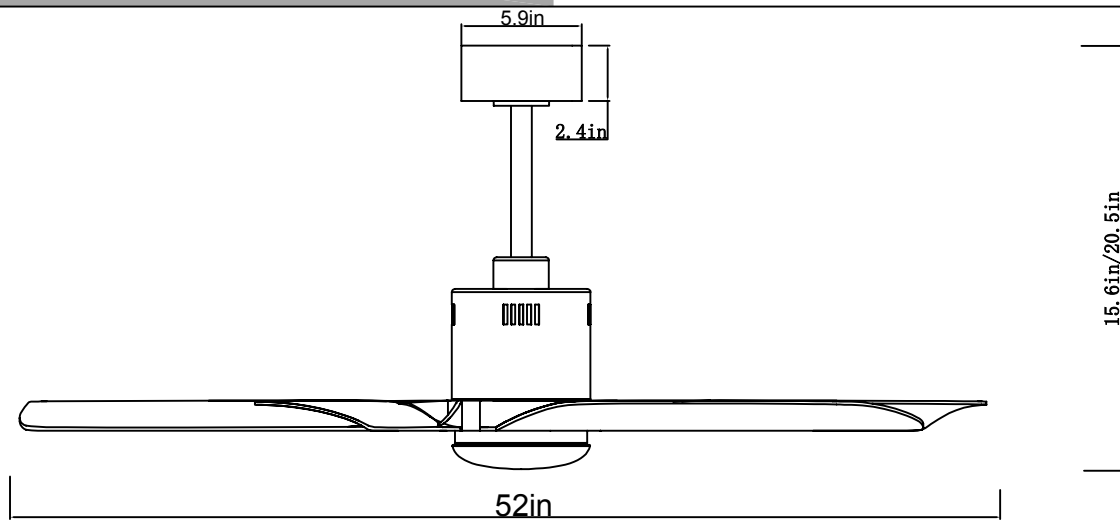


CAUTION: Changes or modifications not expressly approved by the party responsible for compliance could void the user 's authority to operate the equipment.

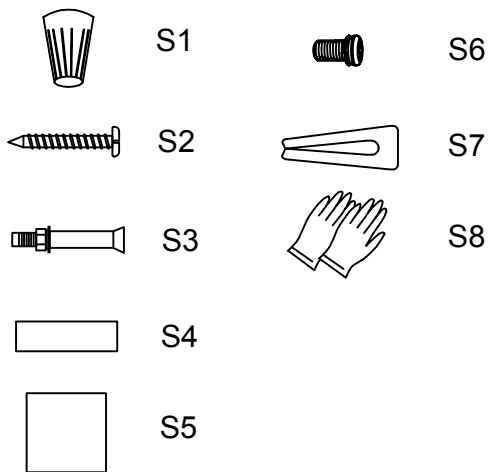


CAUTION: It is recommended that when installing a fan light, there is already a regulator at home, and the controller cannot be connected together.

Dimension Reference

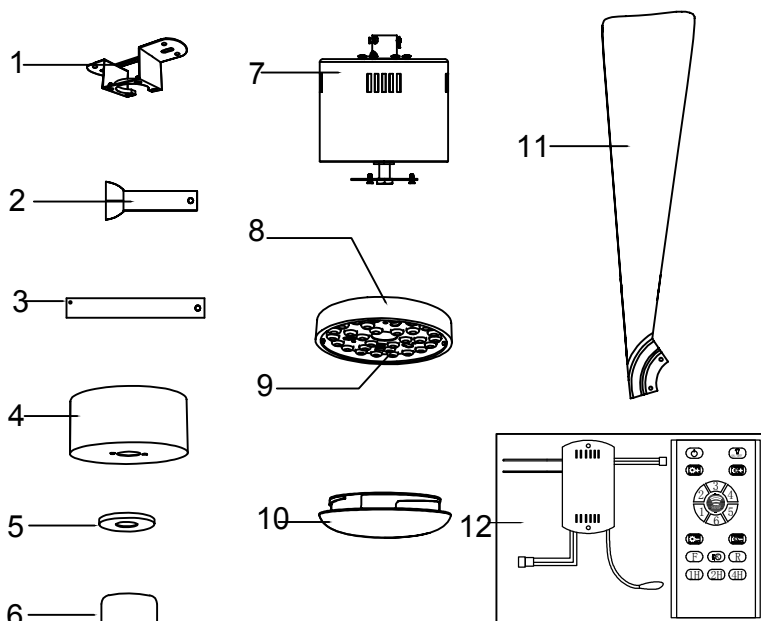


Hardware Included



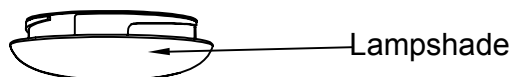
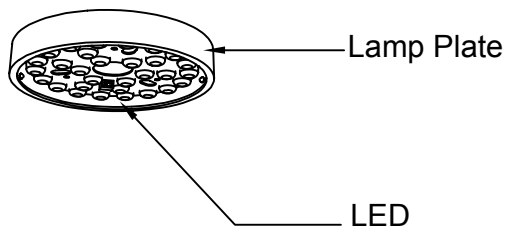
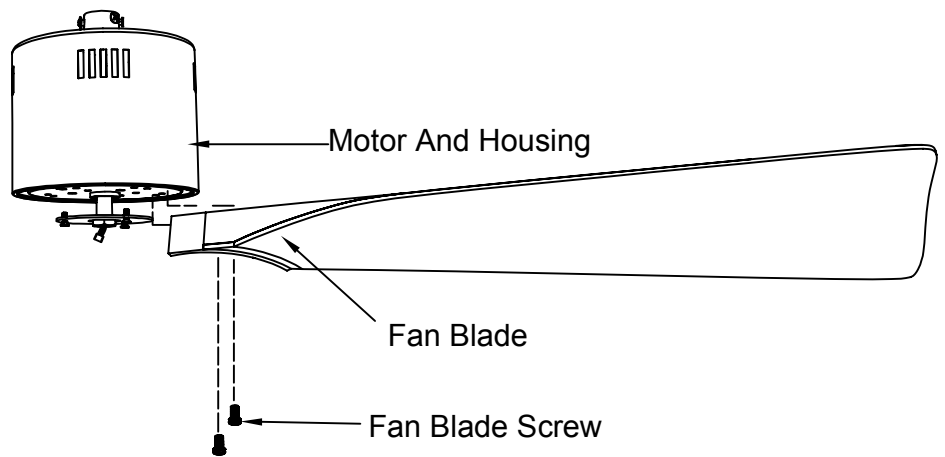
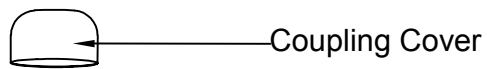
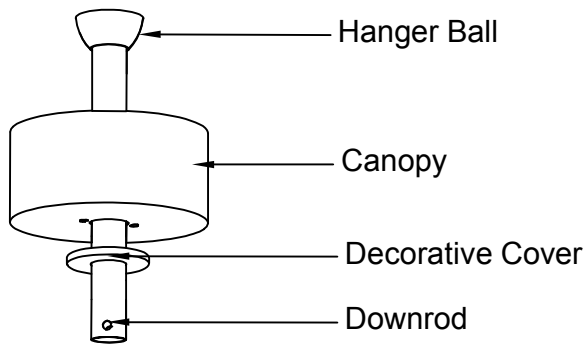
Hardware Package	Quantity
S1. Wire Connector	5
S2. Wood Screw	4
S3. Expansion Screw	2
S4. Sponge Pad	2
S5. Balanced Patch	1
S6. Fan Blade Screw	11
S7. Balance Clamp	1
S8. Gloves	1

Fan Parts Included



Name	Quantity
1. Hanger Bracket	1
2. Short Downrod	1
3. Long Downrod	1
4. Canopy	1
5. Decorative Cover	1
5. Coupling Cover	1
7. Motor Assembly	1
8. Lamp Plate	1
9. LED	1
10. Lampshade	1
11. Fan Blade	5
12. Remote Control (Batteries Not Included)	1

Exploded View



Installation Instructions

Step1 INSTALL THE BOOM, CANOPY AND DECORATIVE COVER

- Take out the motor assembly and pull out the bolt and cotter pin. Loosen the two set screws in the lower rod bracket of the motor assembly.(Figure 1.1)
- Insert the downrod in the coupling. Align the holes and get the bolt through the coupling and the downrod. Secure the bolt with the cotter pin. Tighten the two set screws in the coupling.(Figure 1.2)
- Place all wires through the coupling cover, decorative cover and canopy.(Figure 1.3)
- Reattach the hanging ball to the downrod with wires running through the hanging ball. Position the pin through the two holes of the downrod and align the hanging ball so that the pin is caught in the groove of the hanging ball. Pull the hanging ball tightly onto the pin. Securely tighten the setting screws inside the suspension ball. A loose setting screw may cause the fan to wobble. (Figure 1.4)

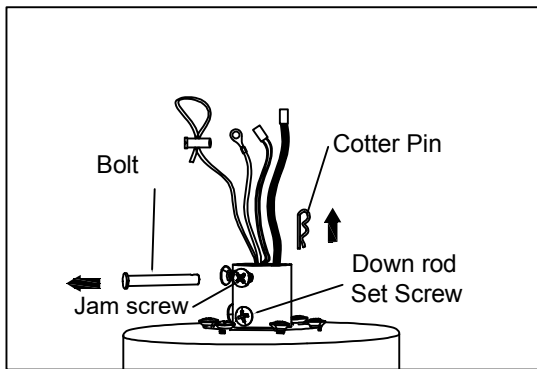


Figure 1.1

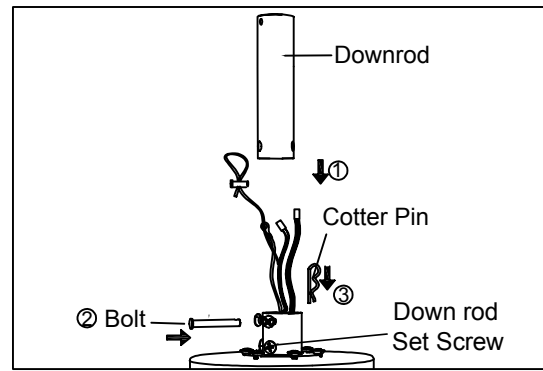


Figure 1.2

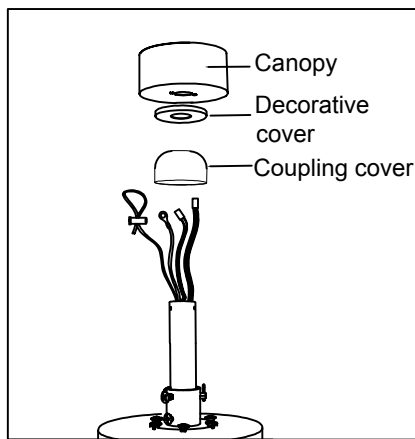


Figure 1.3

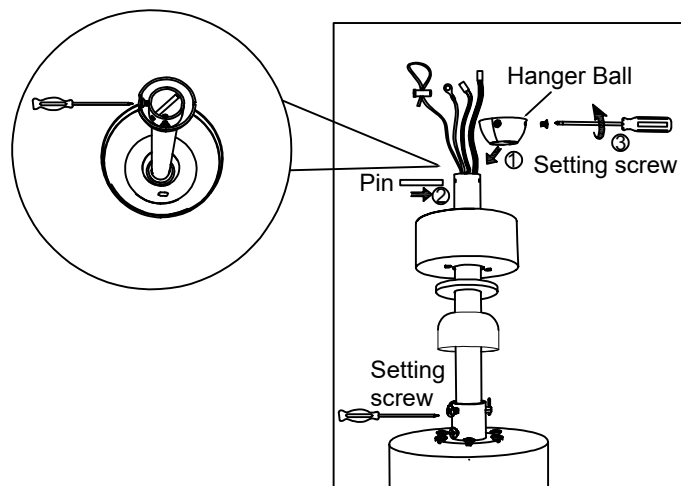


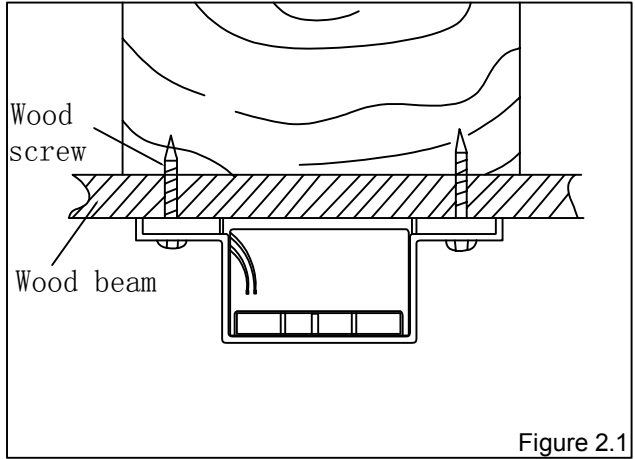
Figure 1.4

CAUTION: To ensure wobble-free operation and to avoid damage to the fan, the down rod and the set screws must be completely tightened.

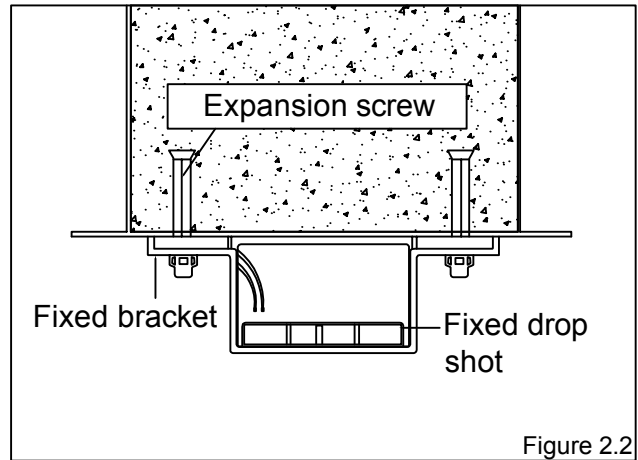
Installation Instructions

Step2 INSTALL THE BRACKET

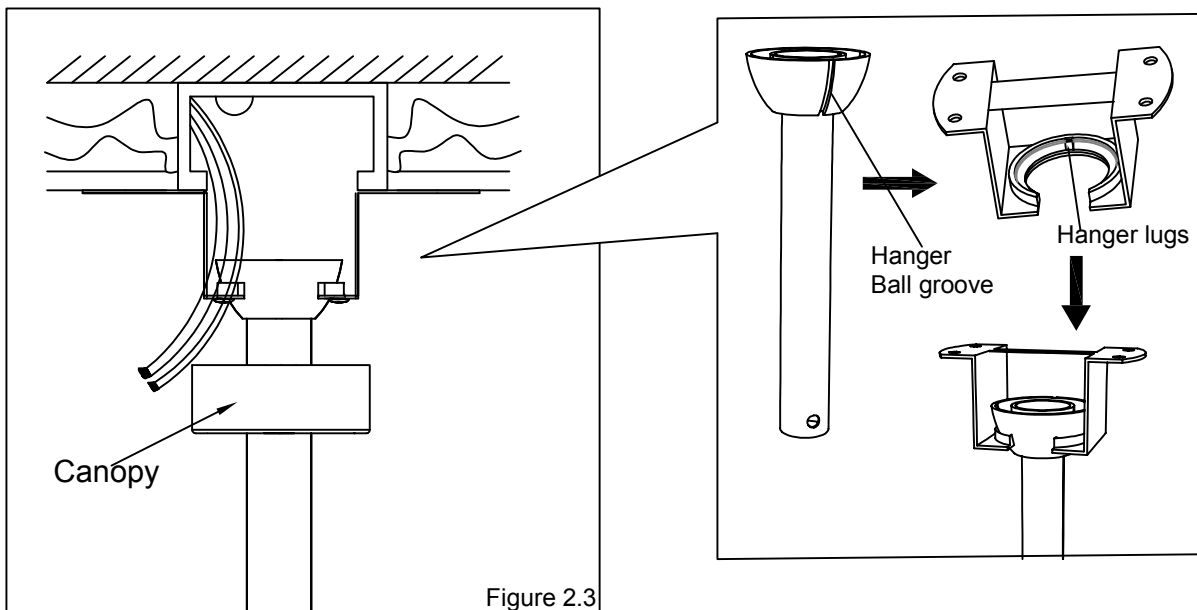
- For Wooden Ceiling: Drilling a pilot hole in your ceiling with the power drills first, then secure the bracket with wood screws. (Figure 2.1)



- For Concrete Ceiling: Drilling a pilot hole in the base material with a hammer drill and a correctly sized carbide drill bit for the anchor and clean out the hole of all debris. Knock the expansion screw into the hole and secure the bracket using nut and wrench. (Figure 2.2)



- Hang the ball joint and fan on the hanger bracket, turn the pipe gently, make sure the hanger lugs are installed in the ball groove. (Figure 2.3)



Installation Instructions

Step3 MOUNTING BLADES TO MOTOR

- Fasten the fan blades to the motor with screws in turn. (Figure 3)

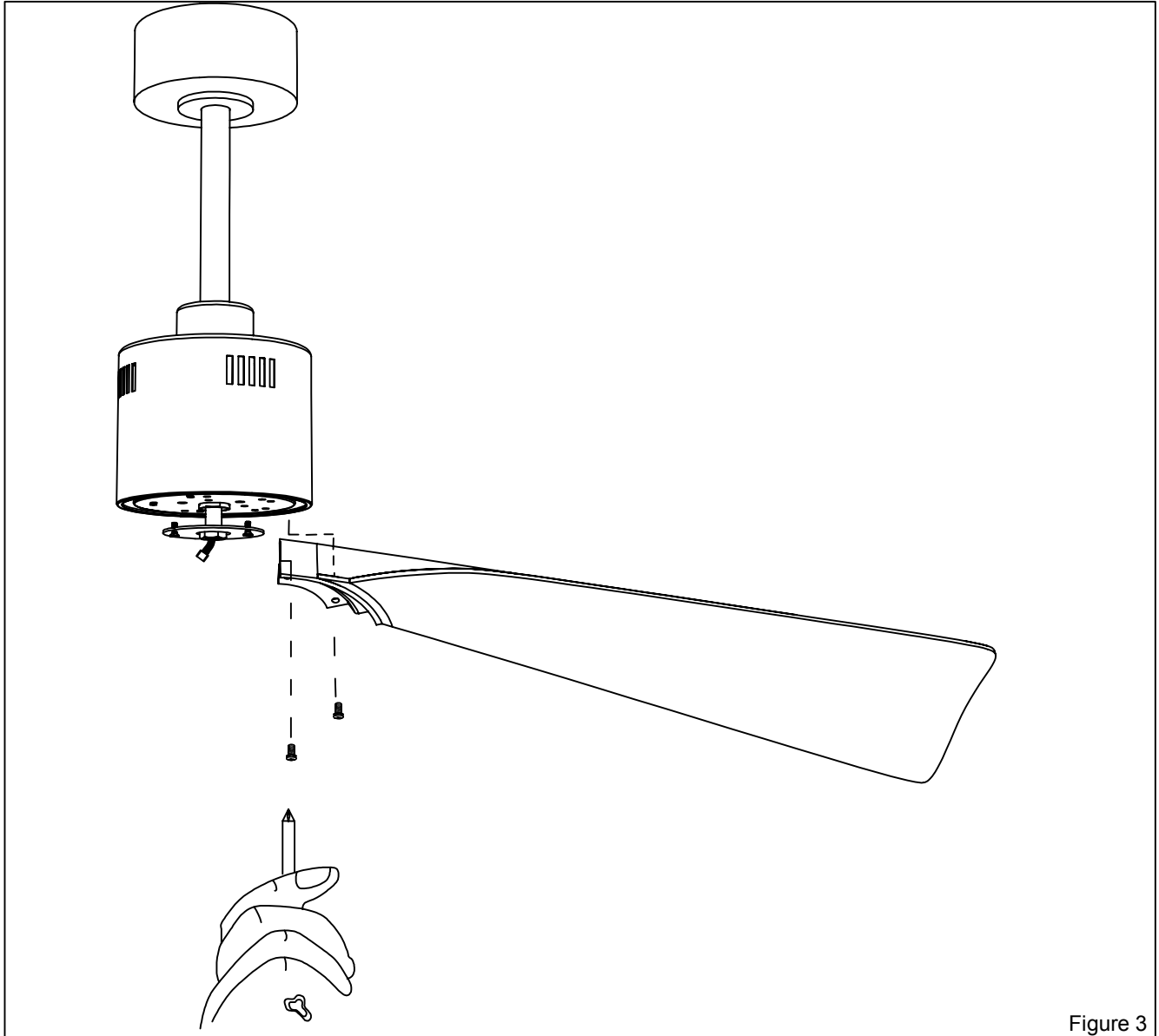


Figure 3

Installation Instructions

Step4 LIGHT KIT

WARNING: BE SURE TO TURN OFF POWER BEFORE INSTALLING

- Remove the screws on the iron sheet at the bottom of the motor. Align the lamp plate with the hole and secure it with screws.
- Connect the LED terminal under the motor to the LED.
- Finally install the lampshade, rotate the lampshade to the lamp plate to complete the installation.

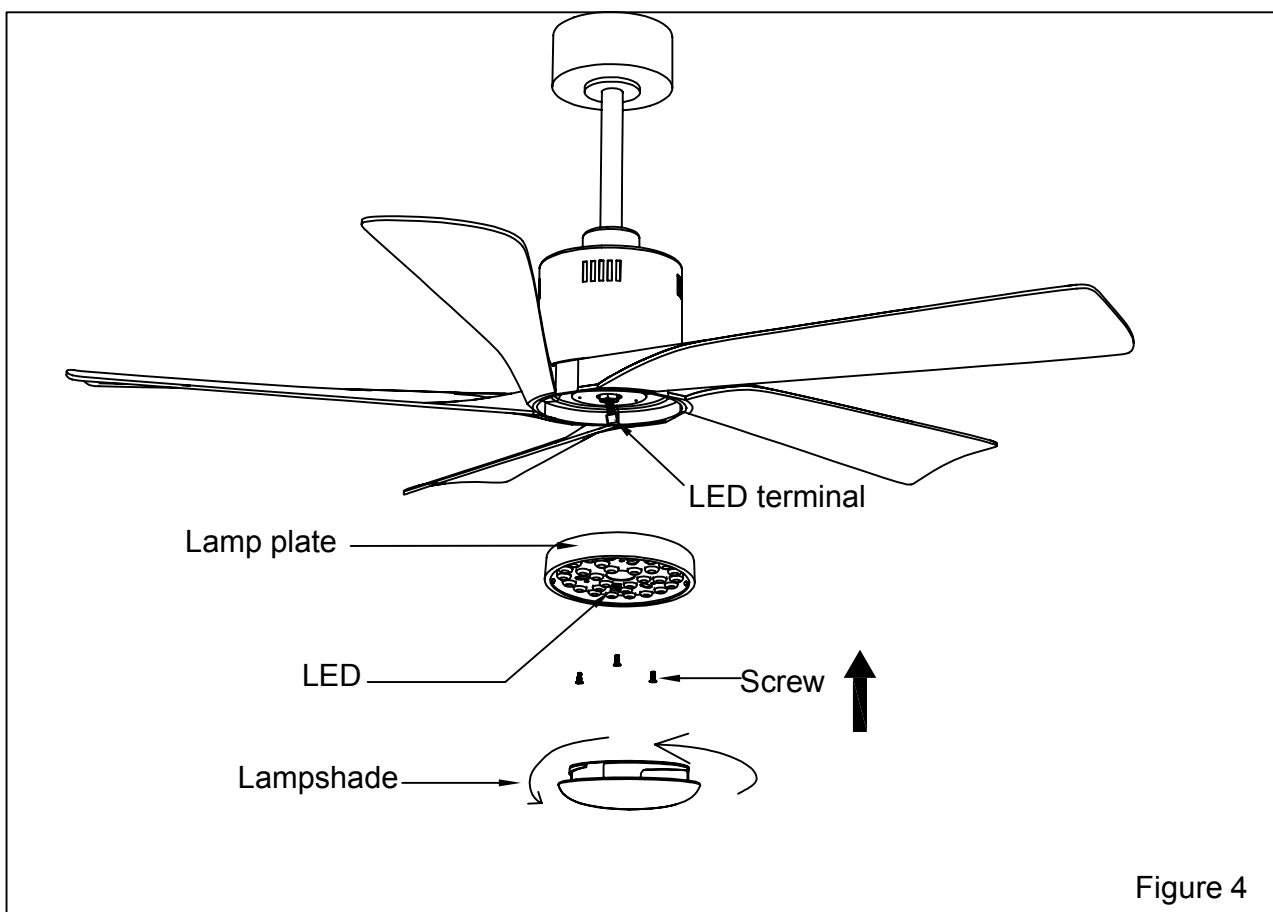


Figure 4

WARNING: Check all connections, set screws and screws are securely tightened before the next step.

Installation Instructions

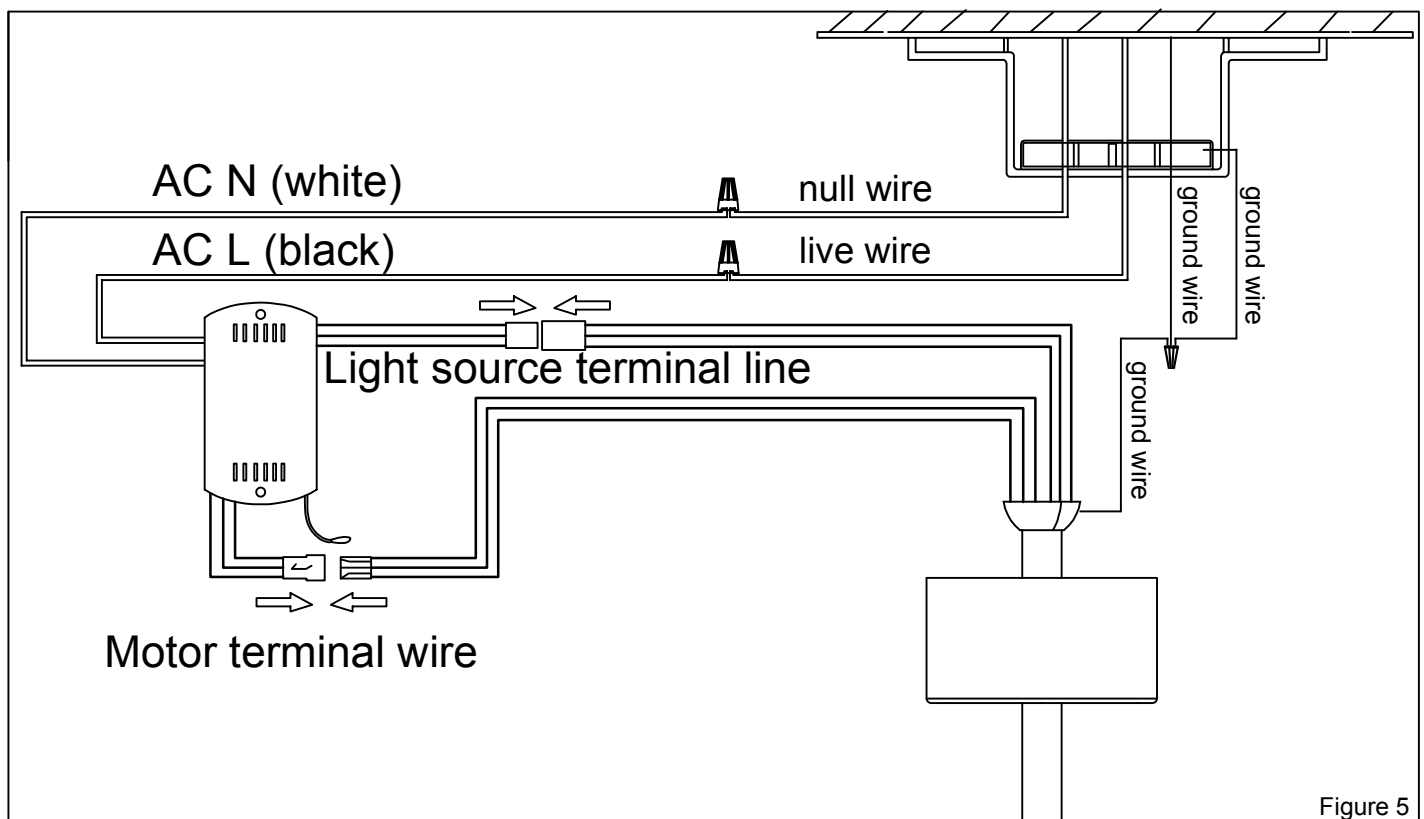
Step5 ELECTRICAL CONNECTION

WARNING: BE SURE TO TURN OFF POWER BEFORE INSTALLING

Make the following wire connections to the receiver unit using the wire nuts supplied.
Connect GREEN ground wire of hanger ball and hanger bracket to BARE (ground) wire from ceiling.
Connect BLACK receiver unit wire to BLACK supply wire.
Connect WHITE receiver unit wire to WHITE supply wire.
Light source terminal wiring and Motor wire wiring connected according to labels.

After making the wire connections, ensure the wires should be spread apart with the grounded conductor. The equipment-grounding conductor on one side of the outlet box and the ungrounded conductor on the other side.

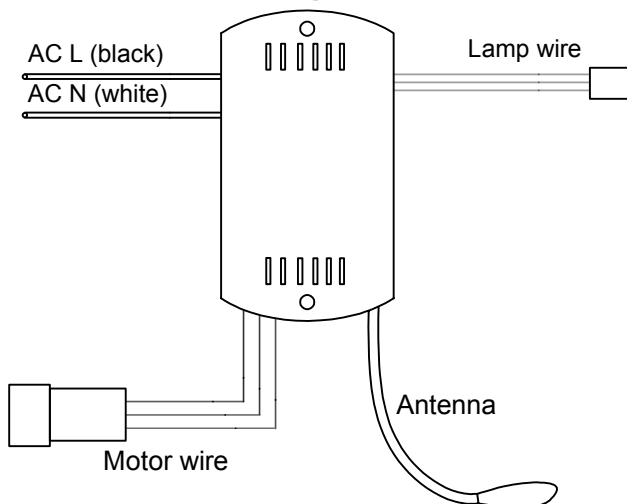
The splices should be turned upward and pushed carefully up into the outlet box. (Figure 5)



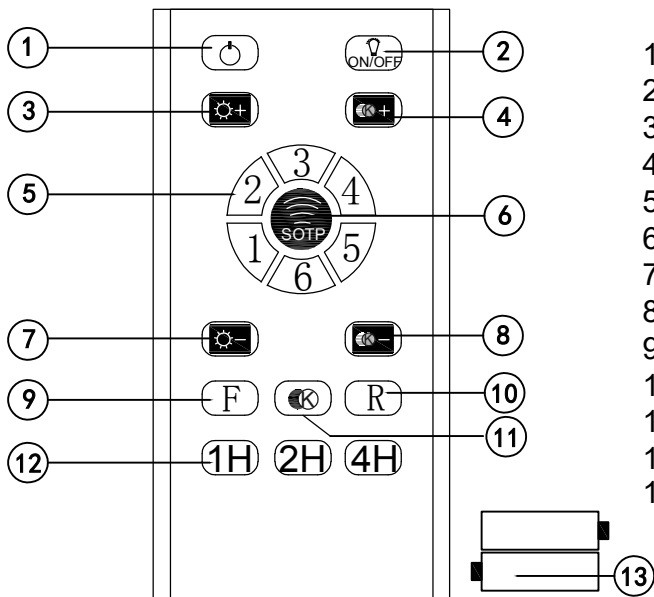
NOTE: Once ground wires are connected, carefully tuck all wires and receiver into the metal box making sure that the wires are clear of the hemisphere and down rod when positioned in hemisphere and down rod when positioned in mounting bracket.

Installation Instructions

Schematic diagram of controller wiring



Instructions for remote control



1. Turn off the fan and light
2. Light ON/OFF
3. Brightness +
4. Color temperature +
5. Speed control button:1-6
6. Fan stop
7. Brightness -
8. Color temperature -
9. Fan forward rotation
10. Fan reversal
11. Color temperature selected white/neutral/warm
12. Timer (1H/ 2H/ 4H)
13. 1.5V AAA battery X 2 (not included)

KINDLY REMINDERS:

1. If the emitter can not control the fan, learning code matching mode is used between emitter and receiver. Turn 'On' the supply power within 10 seconds and press the emitter's "STOP" button for 5 seconds, it can load normally after hearing a long sound 'bee", which means learning successfully and it can works normally.
2. When the emitter cannot control the receiver, please check whether the battery switch is touching properly. Correction of the positive and negative. Full or empty of the power.
3. When the emitter cannot control the receiver, please check is there any existence of similar remote controlled products nearby. Then check whether they works, because remote controlled product with the same frequency will disturb each other.
4. Low voltage of battery will affect the sensitivity of the emitter and the signal reception. The indicated light will flash out when the battery get low voltage. Please replace the batteries with normal voltage.
5. Please remove the battery from the remote control when not in use for a long time.
6. When installing the fan, the fan ceiling cover don't press the antenna (or other wire), it is easy to breakdown the wire and short-circuited.

Installation Instructions

Step6 HOW TO INSTALL YOUR CANOPY HOUSING

Push all connected wires up into ceiling box.

- Position the receiver into the mounting bracket as shown direction. When installing the canopy, ensure the antenna is not pressed by the canopy. Ensure to connect all ground wires accordingly. (Figure 6.1)
- Rotate the canopy upwards towards the screws on the hanger and tighten the screws. (Figure 6.2)

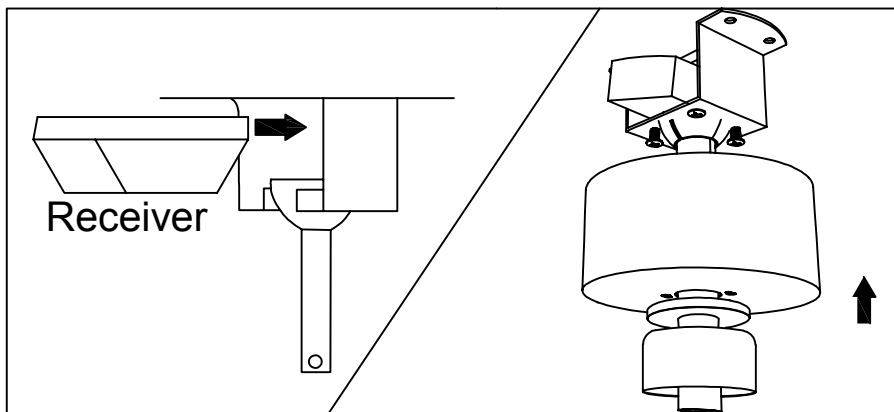


Figure 6.1

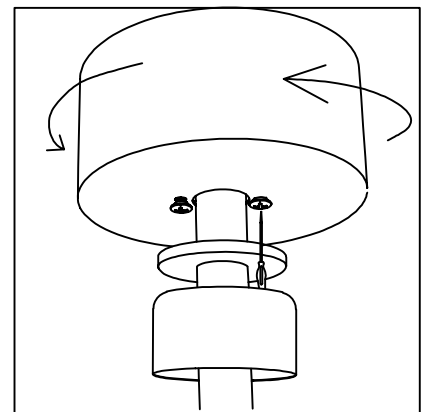


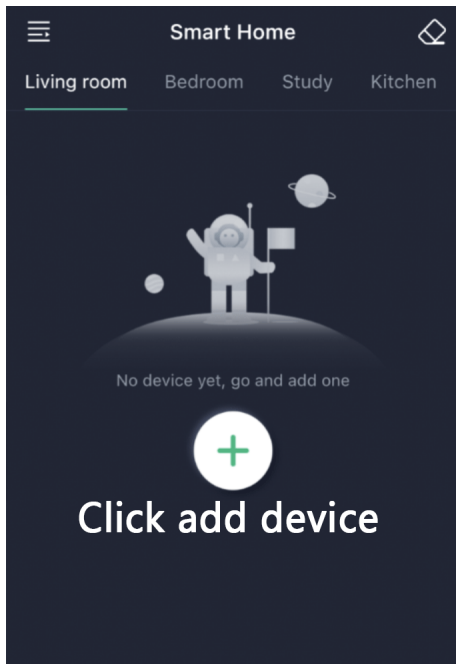
Figure 6.2

WARNING: Failure to seat tab in groove could cause damage to electrical wires and possible shock or fire hazard.

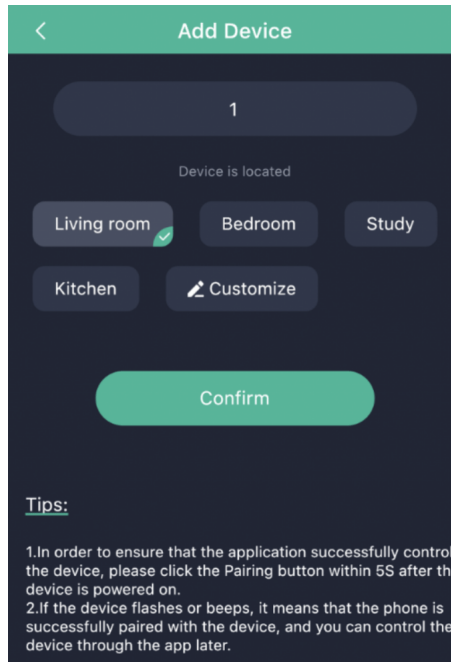
App Pairing



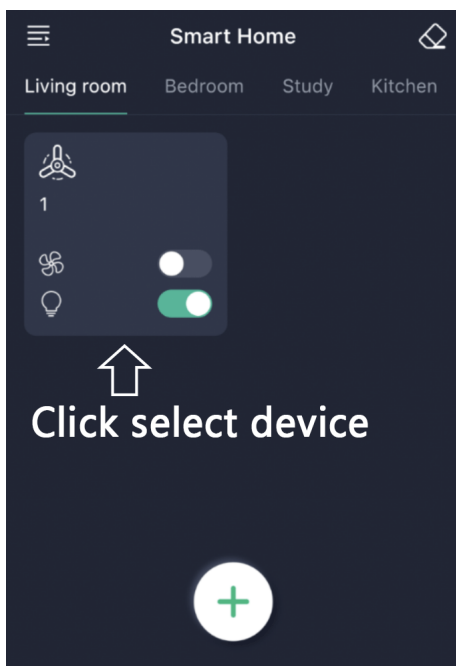
Scan and download app



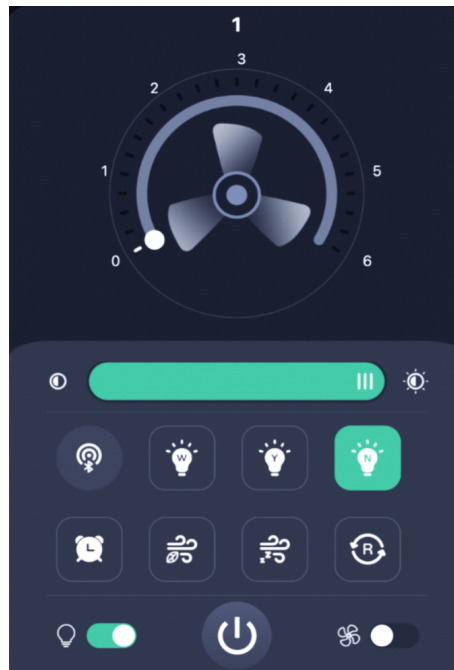
1




2



3



4

Click "  " button within 5 seconds after the device is powered on.
If the device flashes or beeps, it means the phone has been successfully paired with the device.

Troubleshooting Guide

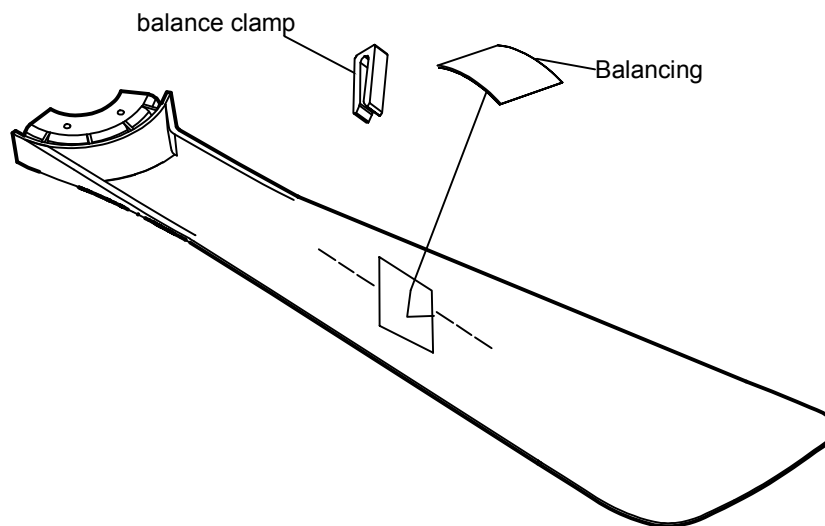
If you have difficulty operating your new ceiling fan it may be the result of incorrect assembly, installation, or wiring. In some cases these installation errors may be mistaken for defects. If you experience any faults please check this troubleshooting guide.

	Problem	Suggested Remedy
1	If fan does not work.	<input type="checkbox"/> Check the fuses or circuit breakers of the main and branch circuits. <input type="checkbox"/> Check the wiring connections to the fan and the switch wiring connections in the switch housing. <input type="checkbox"/> Check the battery in the remote control.
2	If fan sounds noisy.	<input type="checkbox"/> Ensure all motor housing screws are snug. <input type="checkbox"/> Ensure the screws that attach the fan blade bracket to the motor hub are tight. <input type="checkbox"/> Ensure the wire nut connections are not rattling against each other or the interior wall of the switch housing. <input type="checkbox"/> Allow a 24-hour "breaking in" period. Most noises associated with a new fan disappear during this time. <input type="checkbox"/> If you are using the ceiling fan light kit, ensure the screws securing the glassware are tight. Check that the light bulbs are also secure. <input type="checkbox"/> Ensure the canopy is a short distance from the ceiling. It should not touch the ceiling. <input type="checkbox"/> Ensure your outlet box is secure and rubber isolate pads were used between the mounting plate and outlet box.
3	If fan wobbles.	<input type="checkbox"/> Check that all blades are screwed firmly into blade holders. <input type="checkbox"/> Check that all blade holders are tightened securely to motor. <input type="checkbox"/> Make sure that canopy and mounting bracket are tightened securely to ceiling junction box and junction box is mounted firmly to ceiling joist. <input type="checkbox"/> Most fan wobble problems are caused when blade levels are unequal. Check this level by selecting a point on the ceiling above the tip of one of the blades keeping measure within 1/8 in. Rotate the fan until the next blade is positioned for measurement. Repeat for each blade. If all blade levels are not equal you can adjust blade levels by the following procedure. To adjust a blade tip down insert a washer (not supplied) between the blade and blade holder at the screw closest to the motor. To adjust a blade tip up insert washer (not supplied) between the blade and blade holder at the two screws farthest the motor. <input type="checkbox"/> If blade wobble is still obvious, interchanging two adjacent(side by side) blades can re-distribute the weight and possibly result in smoother operation.
4	If light does not work.	<input type="checkbox"/> Check blue wire from fan to make sure it is connected to hot wire from the house. <input type="checkbox"/> Check for loose or disconnected wires in fan switch housing. <input type="checkbox"/> Check for loose or disconnected wires in light kit. <input type="checkbox"/> Check for faulty light bulbs. CAUTION: Make sure main power is turned off before entering switch housing. <input type="checkbox"/> If the fan light shuts off shortly after being switched on it may be due to excessive current demand. Turn off power to the fan and replace the light bulbs with lower wattage bulbs. Turn on power to the fan using the pull chain, wall switch, or remote control (whichever is installed on the particular fan).

Balancing Kit

The balancing kit should only be used if there is an unacceptable amount of fan wobble after completing all the steps in your Owners Manual under "Attaching The Fan Blades."

1. Turn the fan on and set the speed control setting to a speed at which the wobbles is the greatest.
2. Turn off the fan and allow it to come to a complete stop. Select one blade and place the balance clip on it, halfway between the blade holder and the blade tip on the trailing edge of blade.
3. Turn the fan on. Note whether the wobble has increased or decreased. Turn the fan off, move the clip to another blade, and retest. Repeat this procedure on all blades noting the blade on which the greatest improvement is achieved.
4. Move the clip back to the blade that showed the greatest improvement. Move the clip inward and outward on this blade and operate the fan to find the position where the clip gives the greatest improvement.
5. Remove the clip and install a balancing weight to the top of blade along the center line near the point where the clip was positioned.
6. If the fan wobble problem has not been corrected you may wish to try to improve the balancing further by using the balancing clip and additional weights.



Warm Tips: the Maintenance of Ceiling Fans

1. Because the ceiling fan always runs, please check regularly whether the hanger, fan blade, leaf rack and other parts are loose, if not, please fasten it in time to ensure it run with safety.
2. Keep ceiling fans clean regularly. Only use a soft brush or a lint-free cloth to clean it gently. Do not use a damp cloth or other destructive cleaner.
3. Don't add lubricating oil or lubricant to any part of this product.