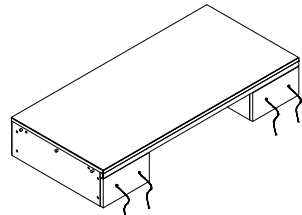
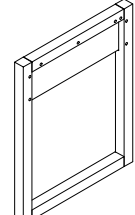
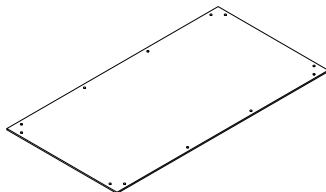
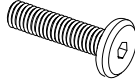


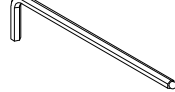

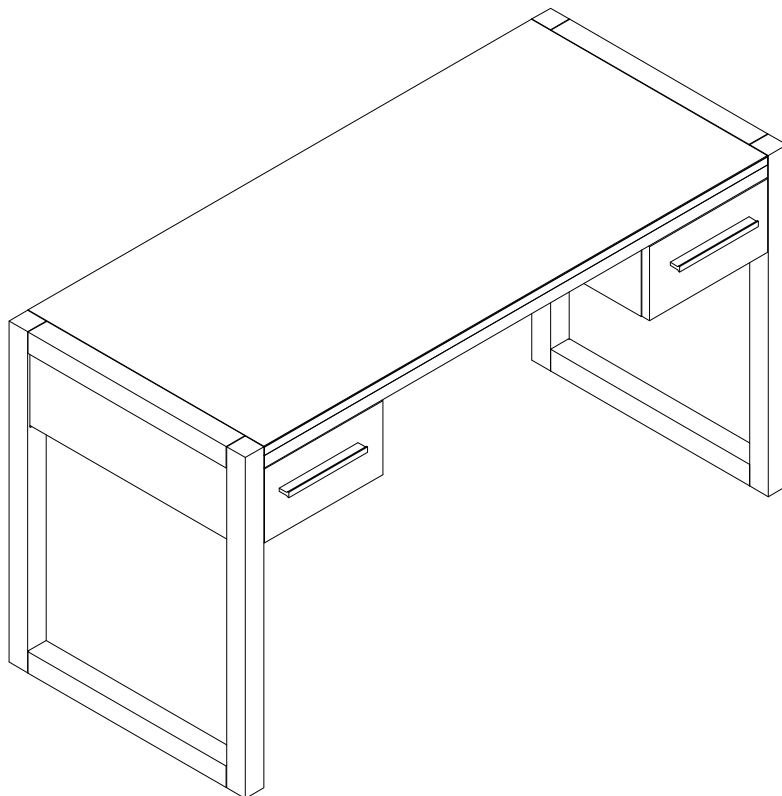


Assembly Instructions

PARTS LIST

A	DESK PART		X 1	<p>Before beginning</p> <p>1) Carefully unpack and position the item on a clean, non-marring surface to assemble.</p> <p>2) Read this Assembly Instructions from beginning to end before starting to assemble.</p> <p>3) Take an inventory of the required parts to ensure all are available.</p> <p>4) To prevent accidental choking hazards, keep all packing materials away from small children.</p> <p>5) Only tighten hardware until ALL hardware are fully engaged on their locations. Overtighten bolts will damage the bolt threads.</p> <p>6) Use only factory provided hardware to assemble. Unapproved hardware can damage product or jeopardize the structural integrity of the product.</p> <p>7) The use of power tool to assemble is not recommended due to high risk of over-torque, which can damage the product.</p>				
B	LEGS		X 2					
C	DUST PANEL		X 2					
Z	HARDWARE	<p>Z1</p>  <p>8x35 mm x12</p>	<p>Z2</p>  <p>8 mm x12</p>	<p>Z3</p>  <p>8 mm x12</p>	<p>Z4</p>  <p>4 mm x1</p>	<p>Z5</p>  <p>3x15 mm x24</p>		



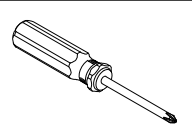
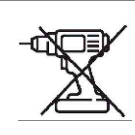
ASSEMBLY REQUIRES
TWO PEOPLE



30 MINUTE
ASSEMBLY TIME

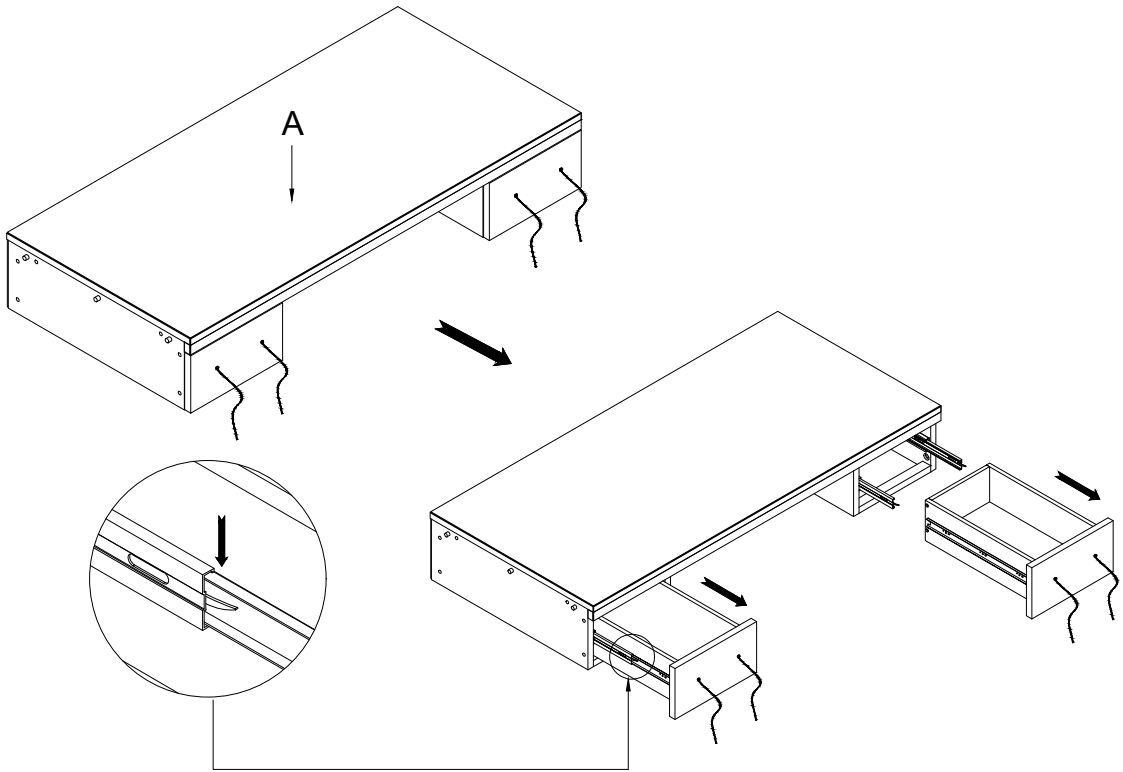


KEEP INSTRUCTIONS
FOR FUTURE USE

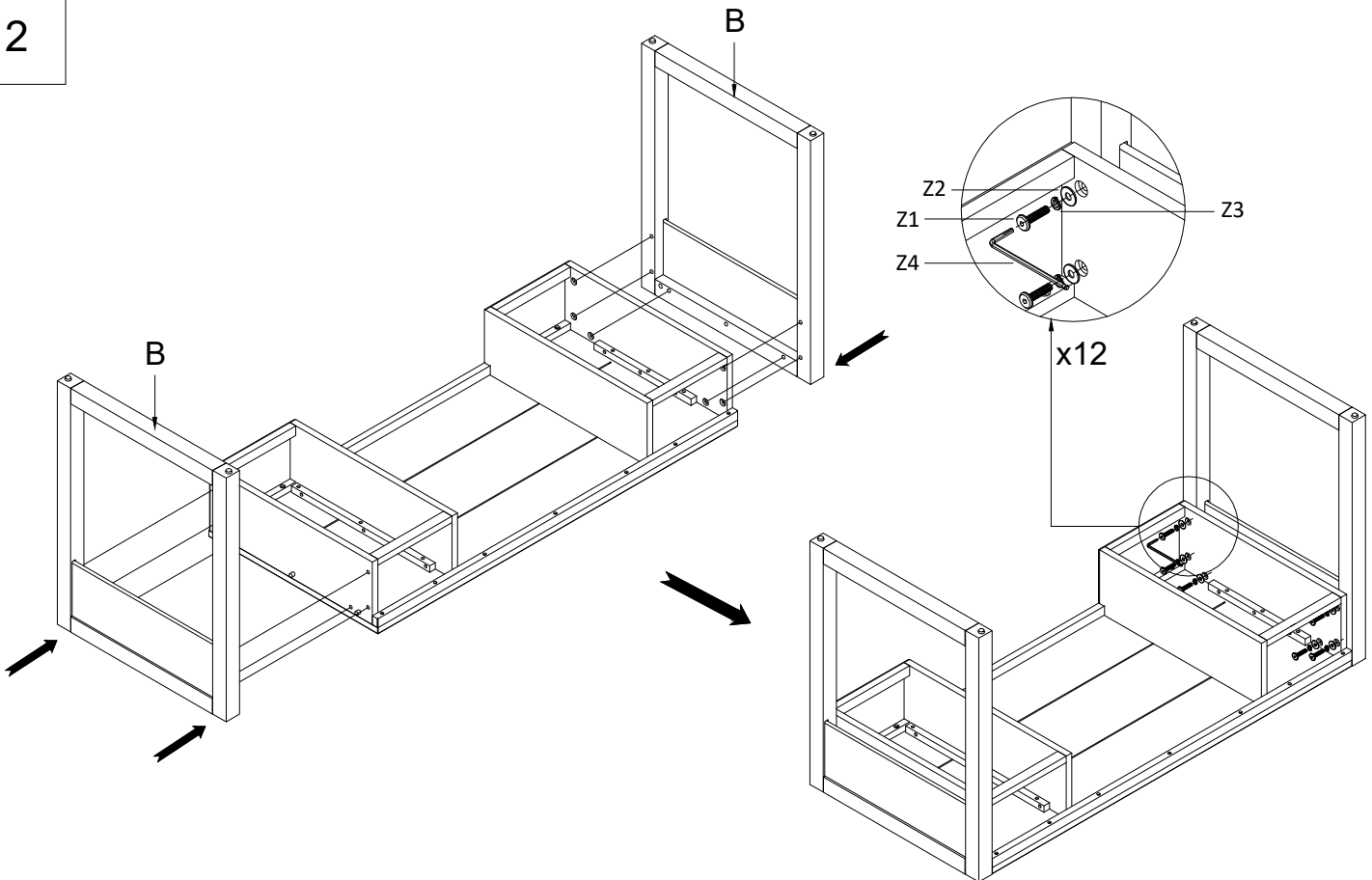


Assembly Instructions

1

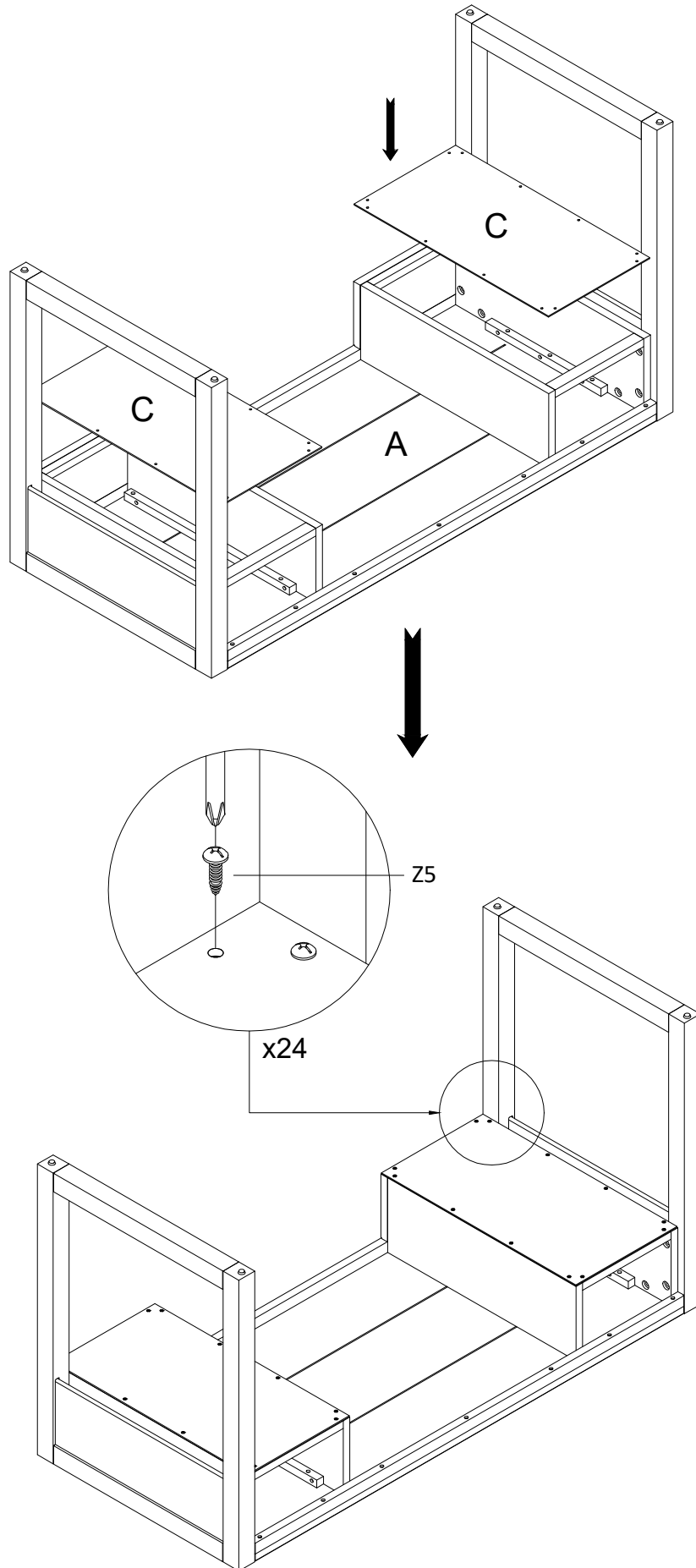


2



Assembly Instructions

3



ASSEMBLY INSTRUCTIONS

DOOR HANDLE / DRAWER PULL HARDWARE

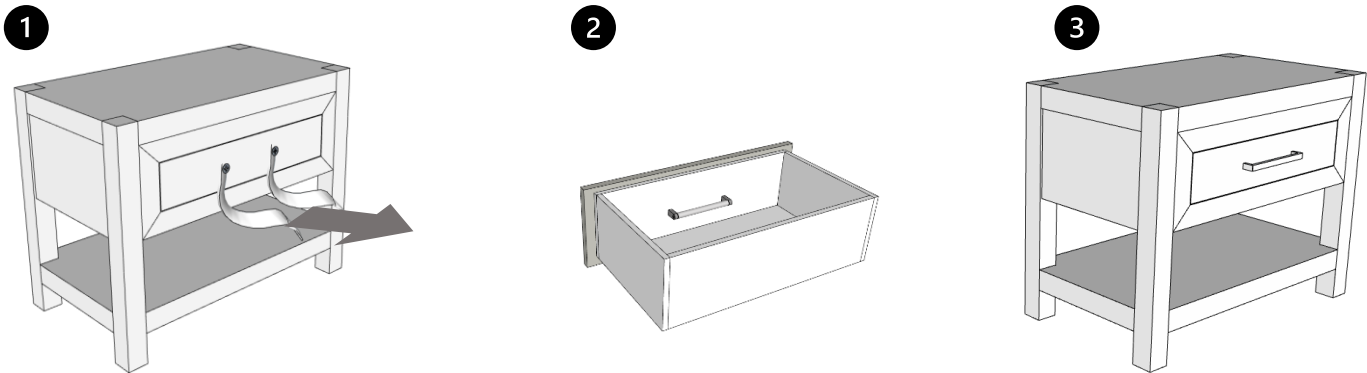
NOTES:

To minimize hardware from damage during transit, please be advised that on certain products, door handles and/or drawer pulls are either installed in reverse or packed inside of the hardware carton. These door handles and/or drawer pulls need to be disassembled and reinstalled to the correct position before use.

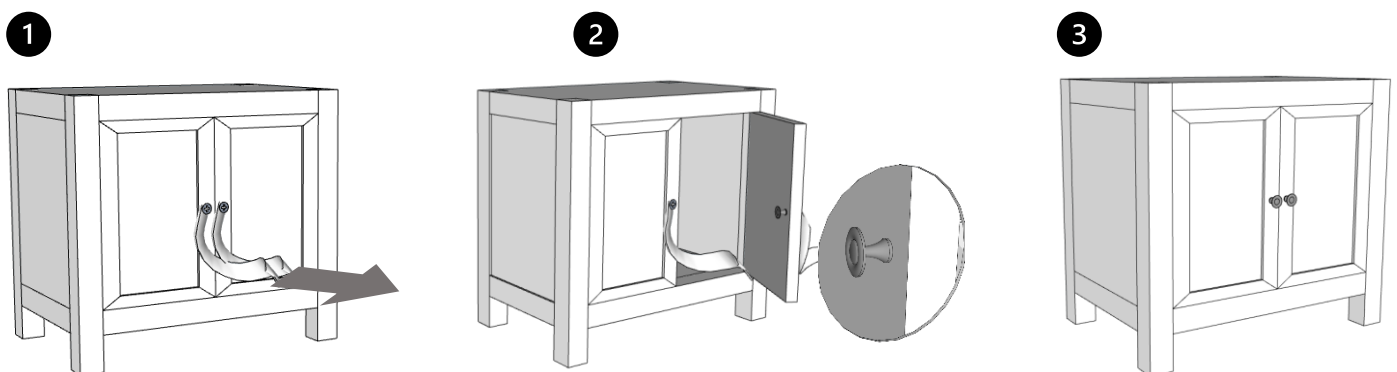
DIRECTIONS:

1. Open door/drawer by pulling on the ribbon/string attached at the front.
2. Locate the pre-installed door handles and/or drawer pulls and remove them using a screwdriver. Screwdriver is not supplied.
3. Install the door handles and/or drawer pulls to the front of the door/drawer to the pre-drilled holes.
4. If hardware is not installed inside of the door/drawer you can find them in the hardware carton packed inside the product/package.

Hardware on the Drawer

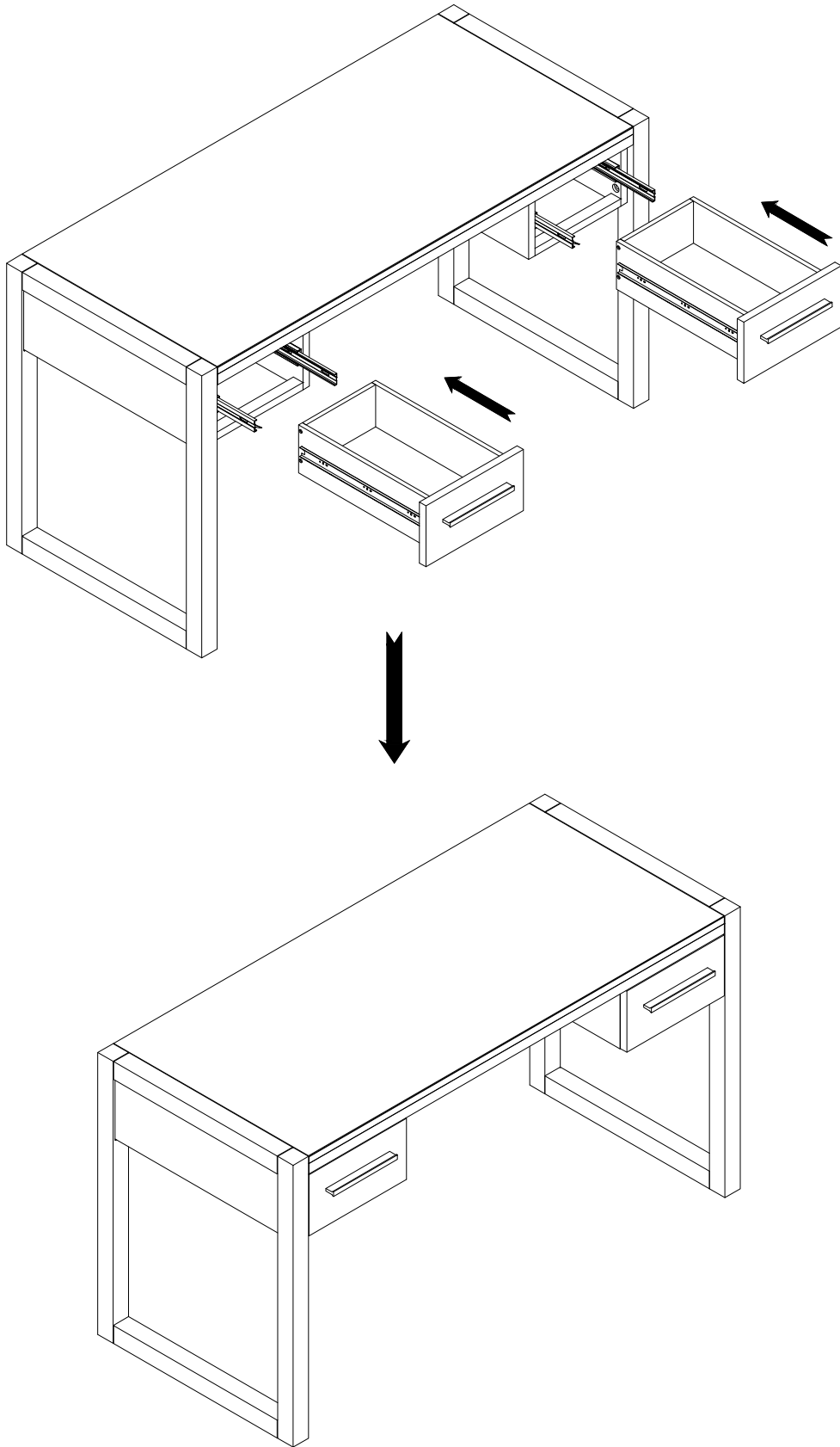


Hardware on the Door



Assembly Instructions

4



NOTE:

Please adjust the preinstalled levelers at the bottom of the legs to make sure your desk is level.