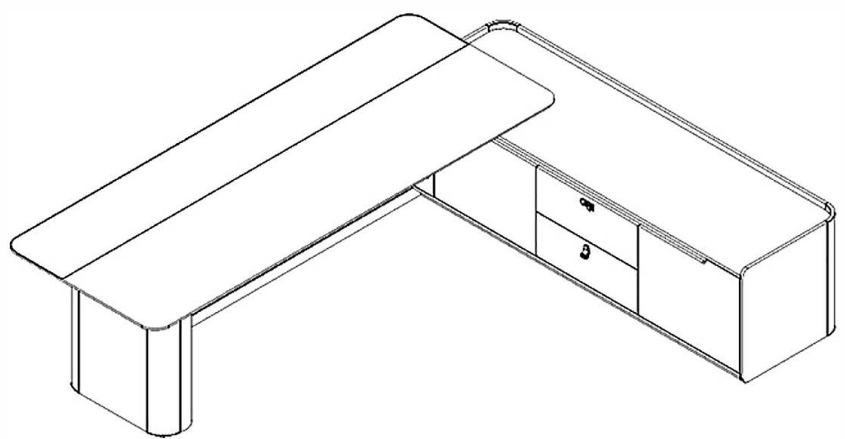


Executive Desk Assembly Guide

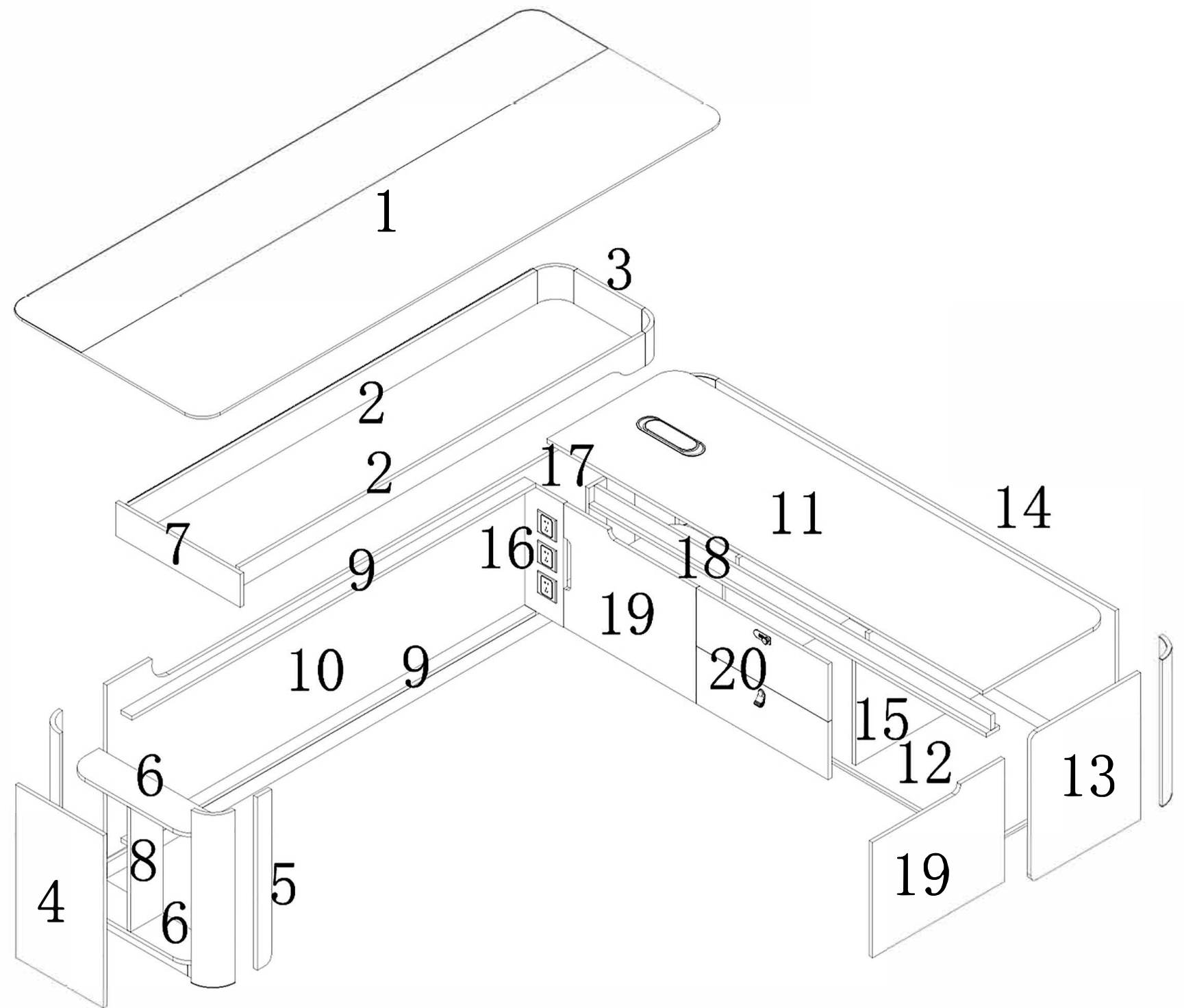
Installation Completed Appearance Diagram



Executive Desk

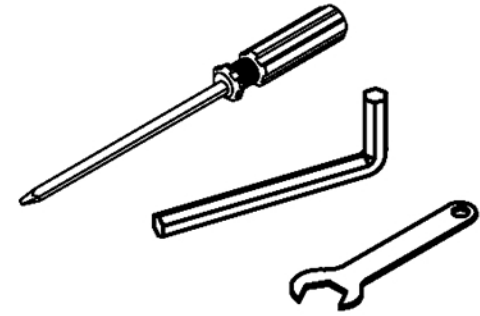
Number	Part Name	Quantity
1	Main Desktop	1
2	Support Box 1	2
3	Support Box 2	1
4	Side Panel of Desk Leg	1
5	Side Panel of Desk Leg	1
6	Shelf of Desk Leg	2
7	Pull Bar of Desk Leg	1
8	Middle Side of Desk Leg	1
9	Pull Bar	2
10	Front Panel	1
11	Top Panel	1
12	Bottom Panel	1
13	Side Pan	1
14	Back Panel	1
15	Middle Side	2
16	End Panel	1
17	Door Hinge	1
18	Decorative Panel	2
19	Door Panel	2
20	Drawer Front	2

Product Exploded View Diagram

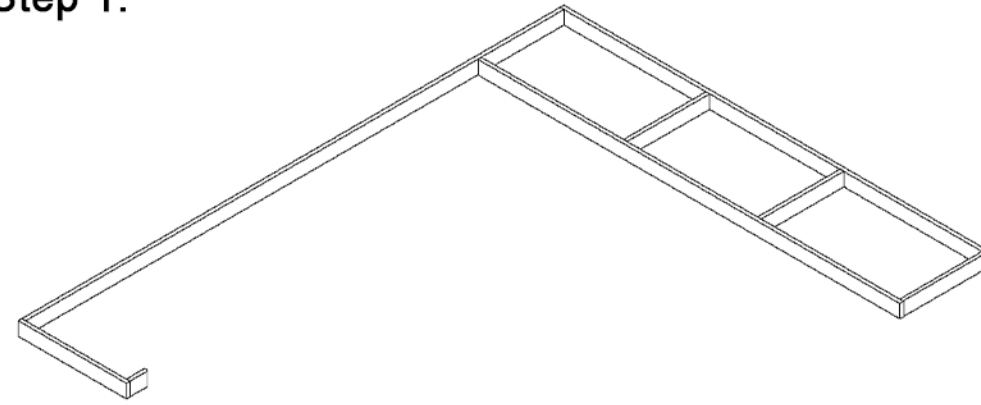


Product Name	Executive Desk
Series Name	
Product Model	1
Product Specifications (Inch)	79*70*30
Color	Dare Wood Grain + Dior White
Page	First Page / Total Two Pages

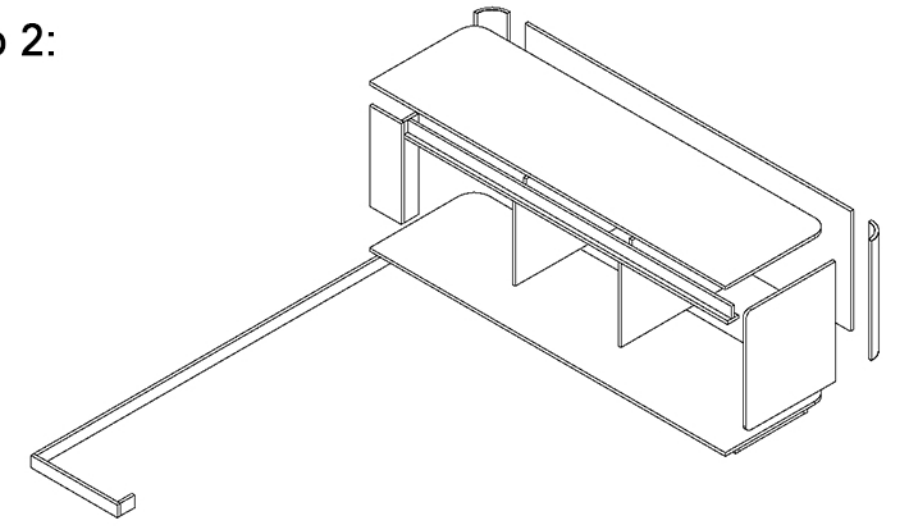
Tools Required



Step 1:

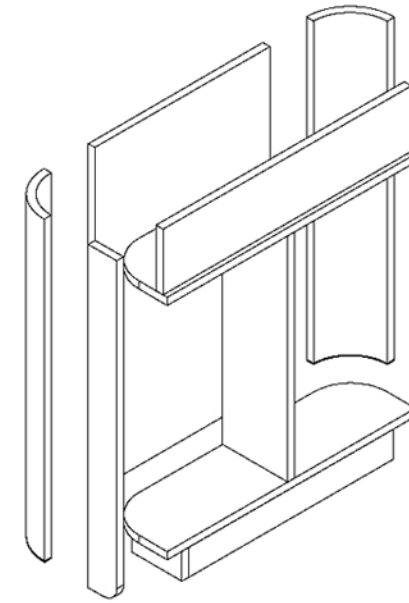


Step 2:

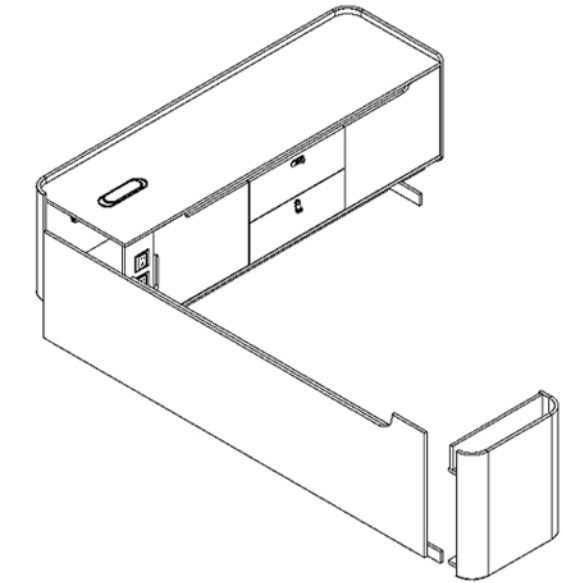


No.	Name	Specification	Illustration	Quantity
A	0.24 in Cable Grommet			1
B	Teardrop Handle			1
C	Cam Lock Fastener Set	Standard		144
D	Wood Dowel	Standard		64
E	Full Overlay Cabinet Hinge			4
F	3-Section Ball Bearing Drawer Slid	18.37 in		2
G	Combination Lock			1
H	Leather Knob			1
I	Self-Tapping Screws	0.16 in × 16 pcs		68
J	Pan Head Self-Tapping Screw	0.16 in × 30 pcs		16

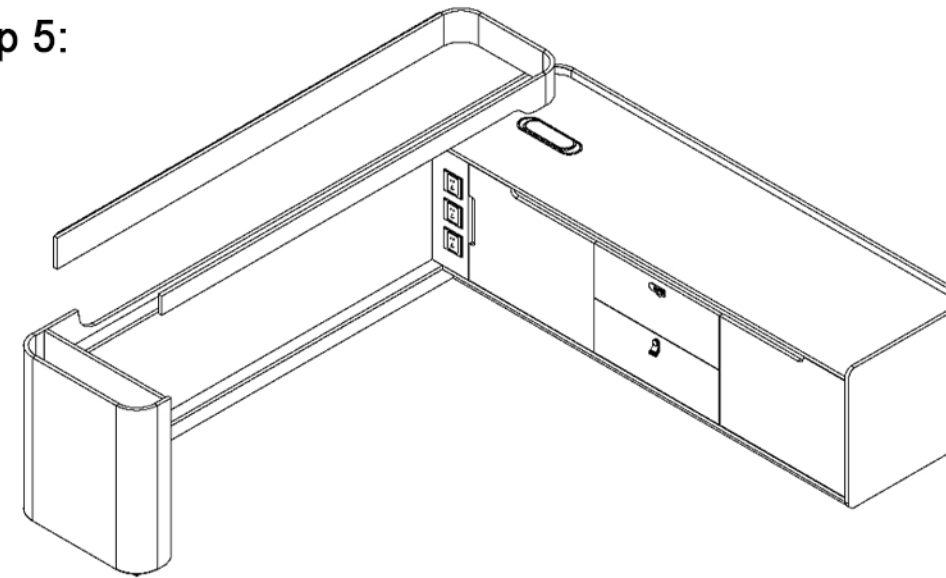
Step 3:



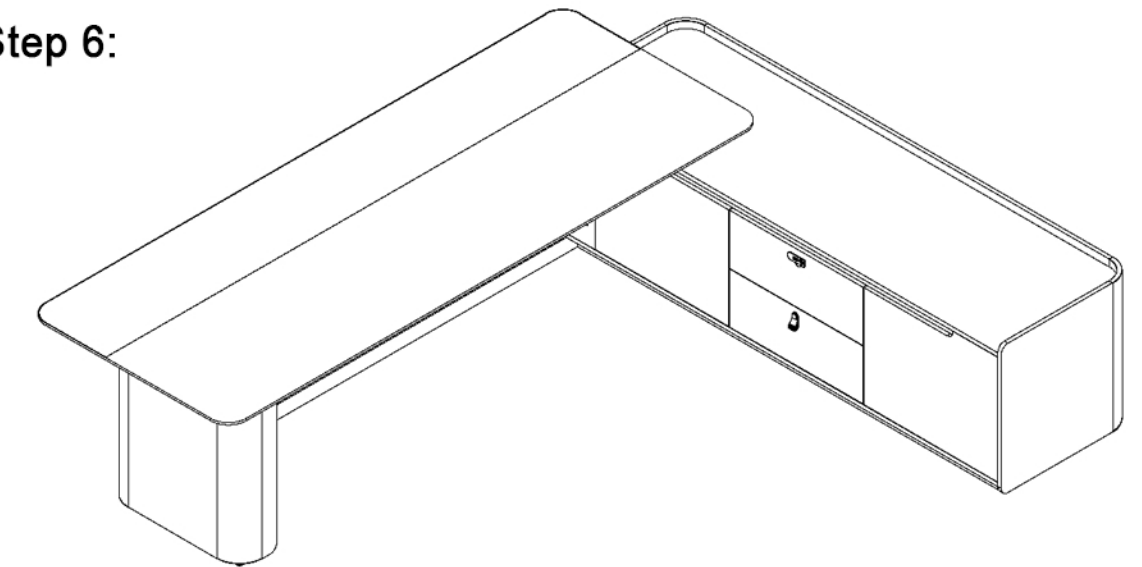
Step 4:



Step 5:



Step 6:



Second Page /
Total Two Pages

Note:

1. Place a soft protective material on the floor before installation.
2. Handle all parts with care to avoid scratches.
3. After installation, wipe clean with a towel.