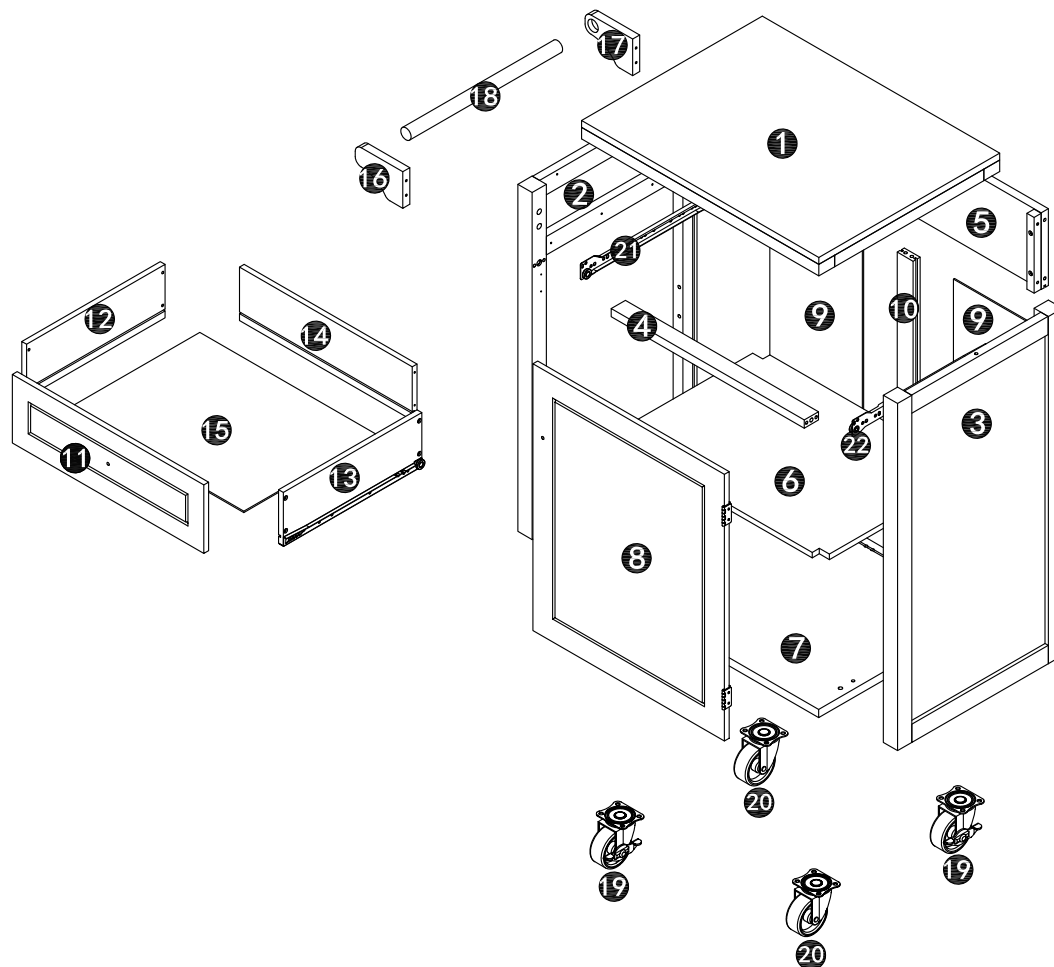

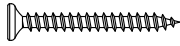
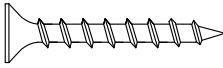

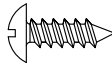


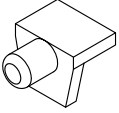
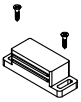

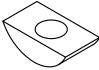




2PERS.




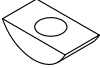
60MIN




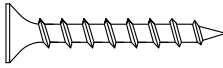
A x 6  M6X40mm	B x 4  M5X55mm	C x 16  M4X30mm	D x 6  M4X12mm	E x 16  M5X15mm
F x 4  M3X12mm	G x 18  Ø6X30mm	H x 4 	I x 1 	J x 2 
K x 2 	L x 4 	M x 1 		


3

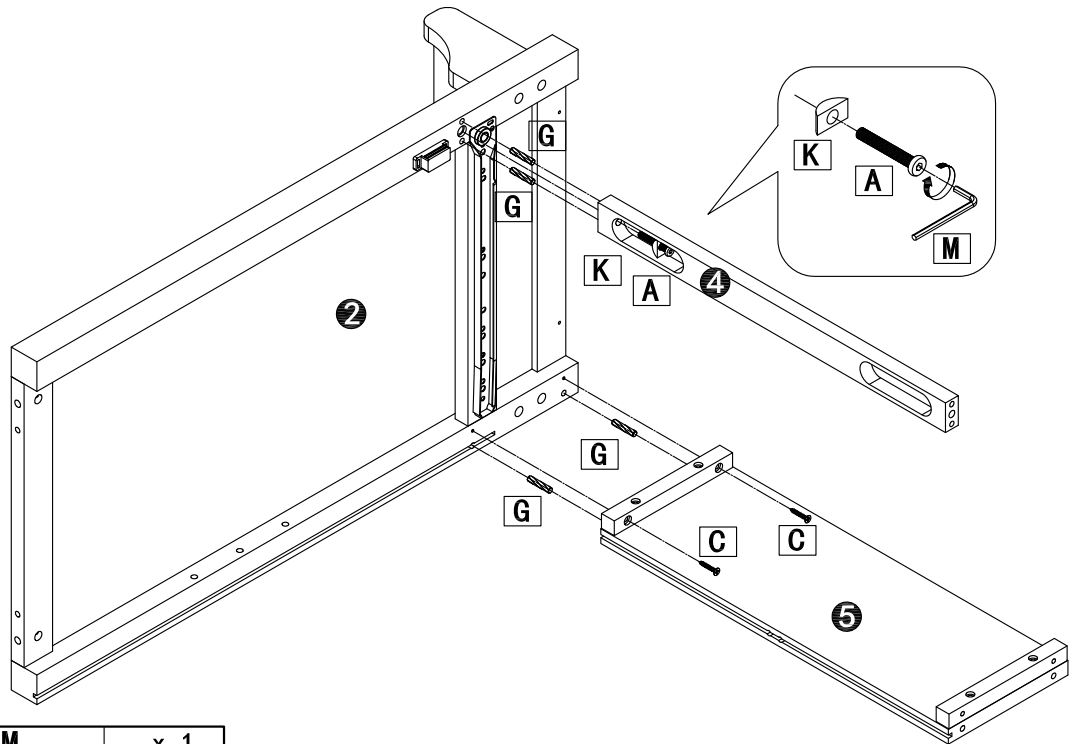
A	x 1
	
M6X40mm	

K	x 1
	


G	x 4
	
Ø6X30mm	

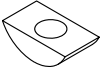
C	x 2
	
M4X30mm	


M	x 1
	

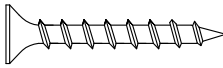



4

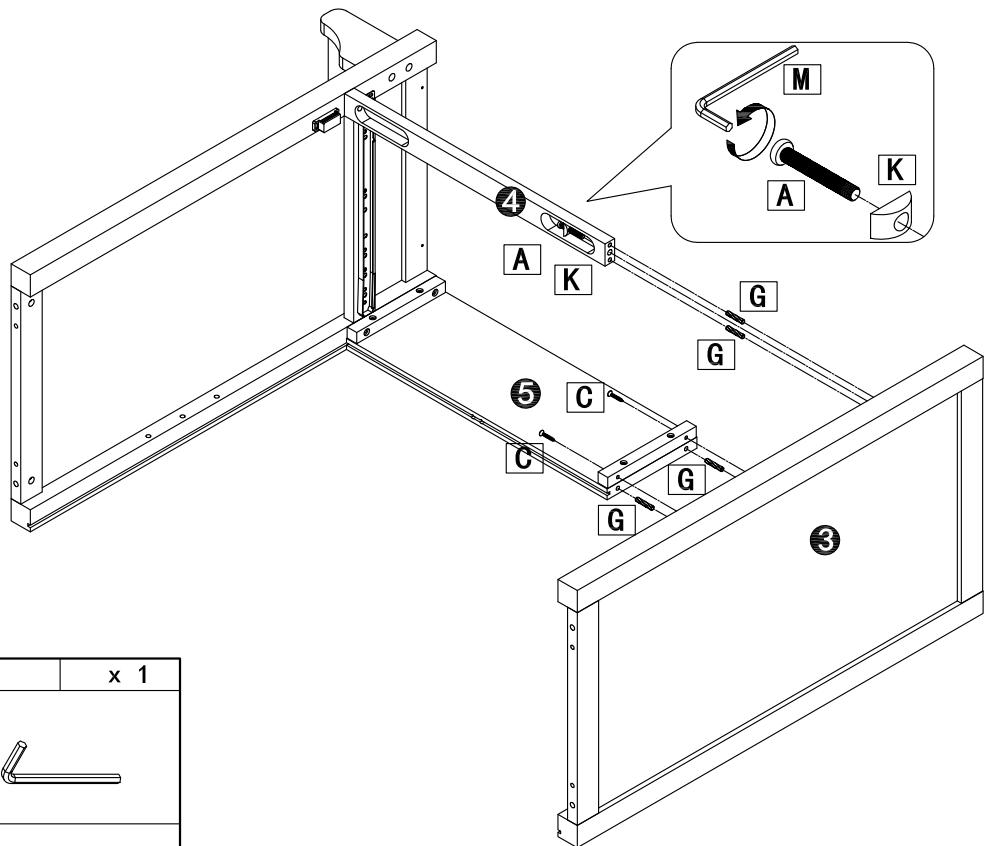
A	x 1
	
M6X40mm	

K	x 1
	

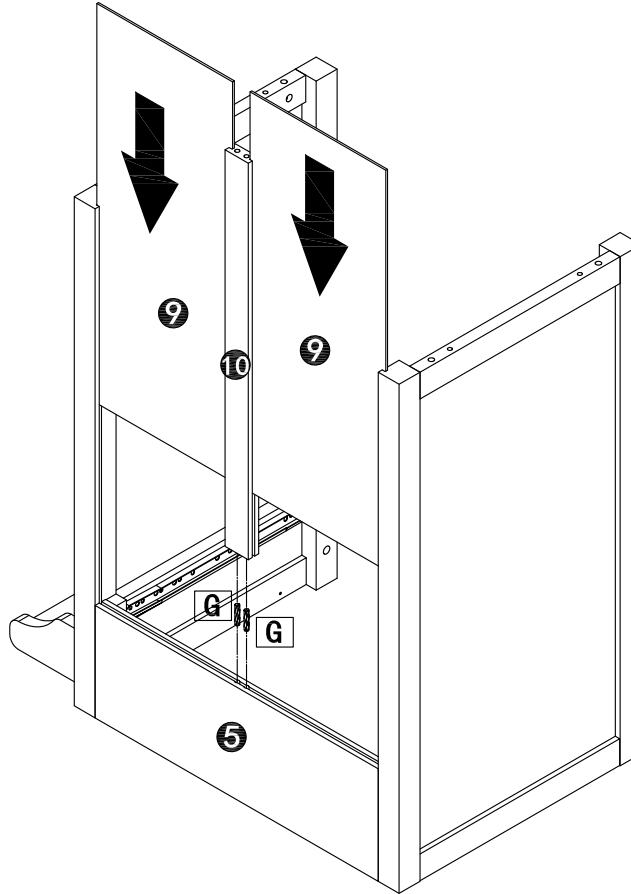
G	x 4
	
Ø6X30mm	


C	x 2
	
M4X30mm	

M	x 1
	





5





G	x 2
	
Ø6X30mm	

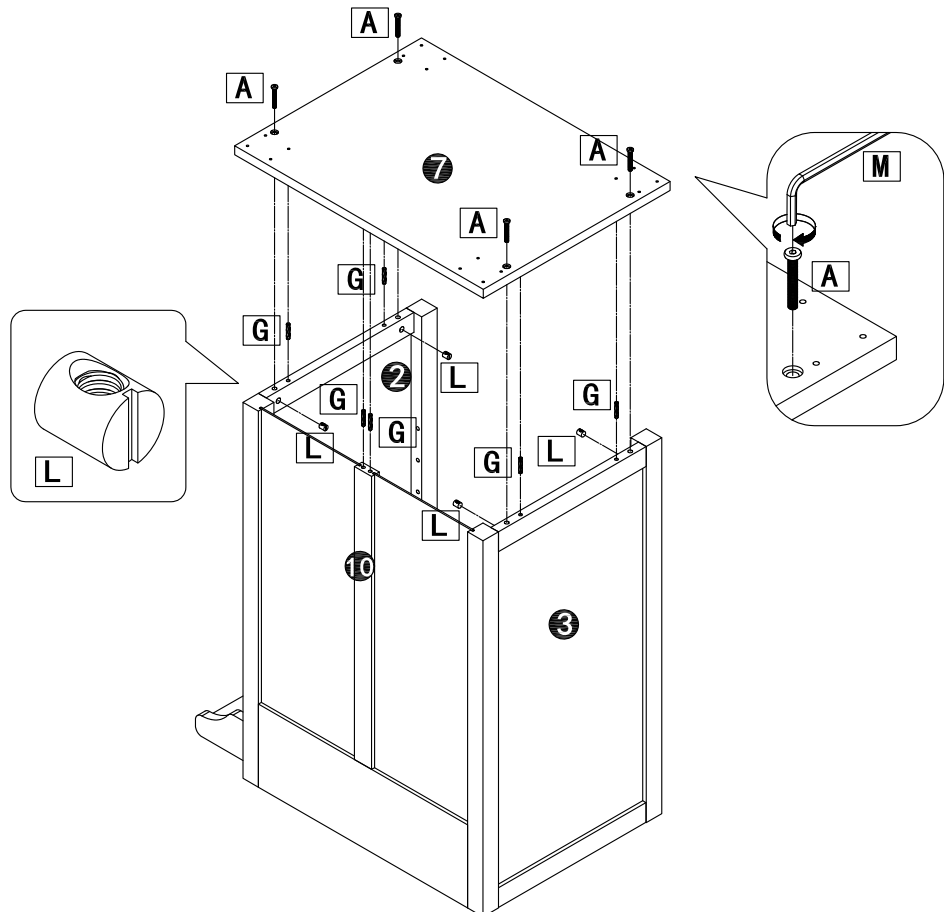
6

A	x 4
	
M6X40mm	

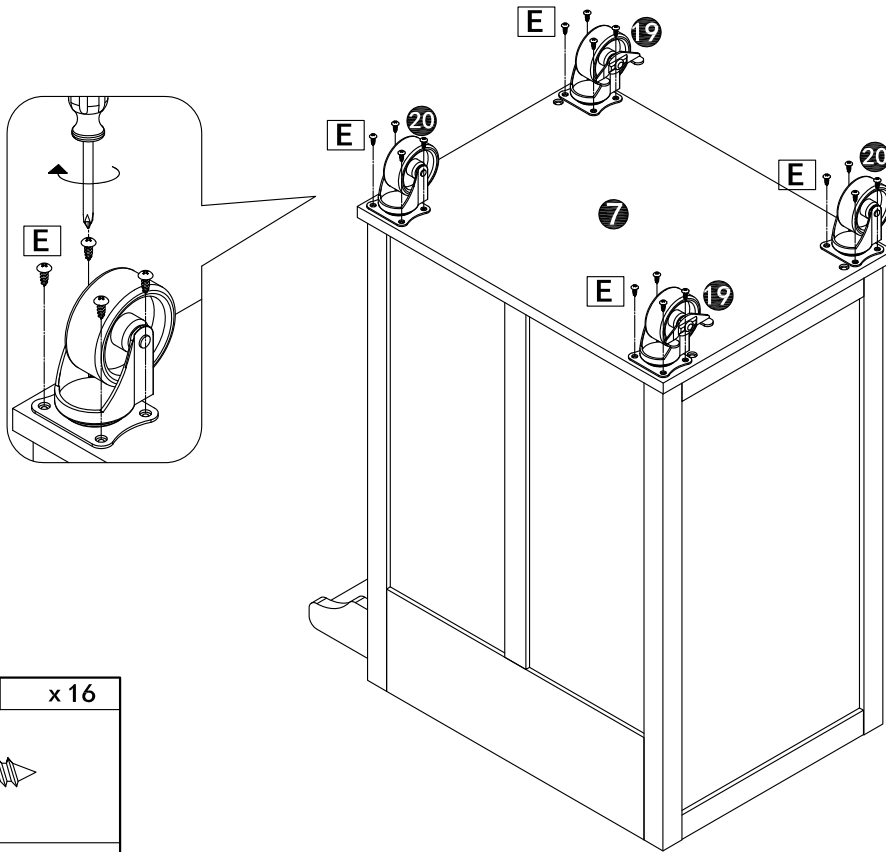
L	x 4
	

G	x 6
	
Ø6X30mm	

M	x 1
	

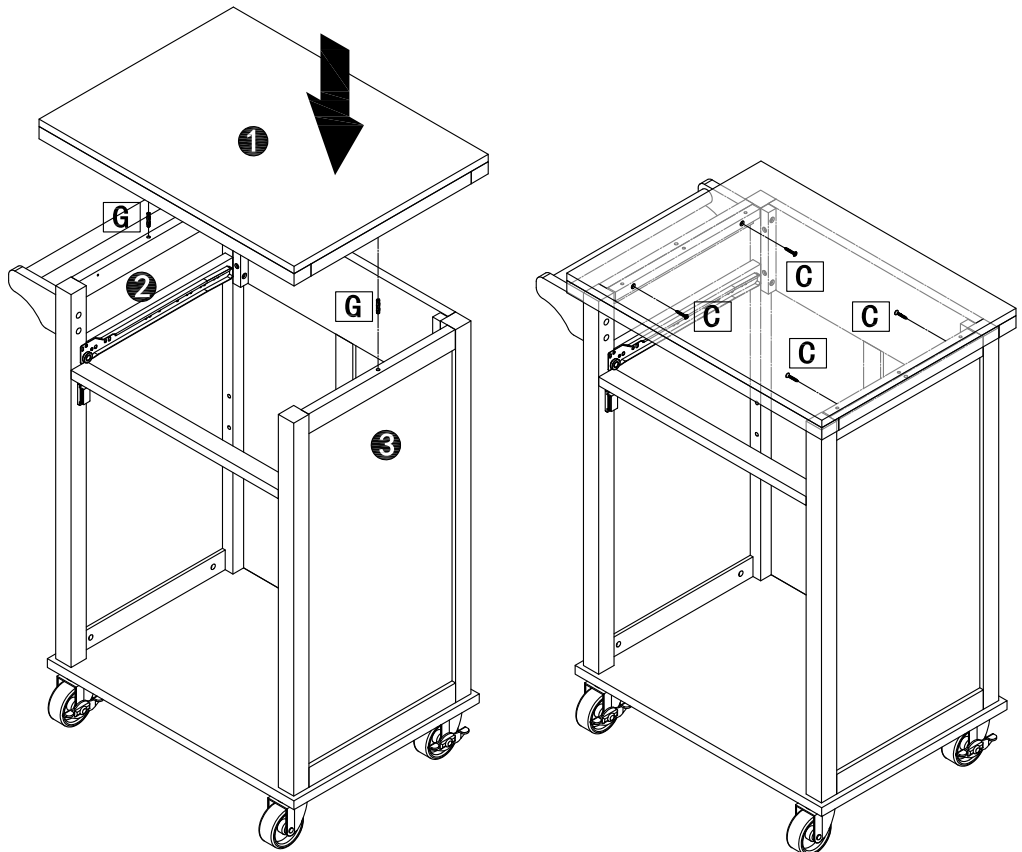


7



E	x 16
M5X15mm	

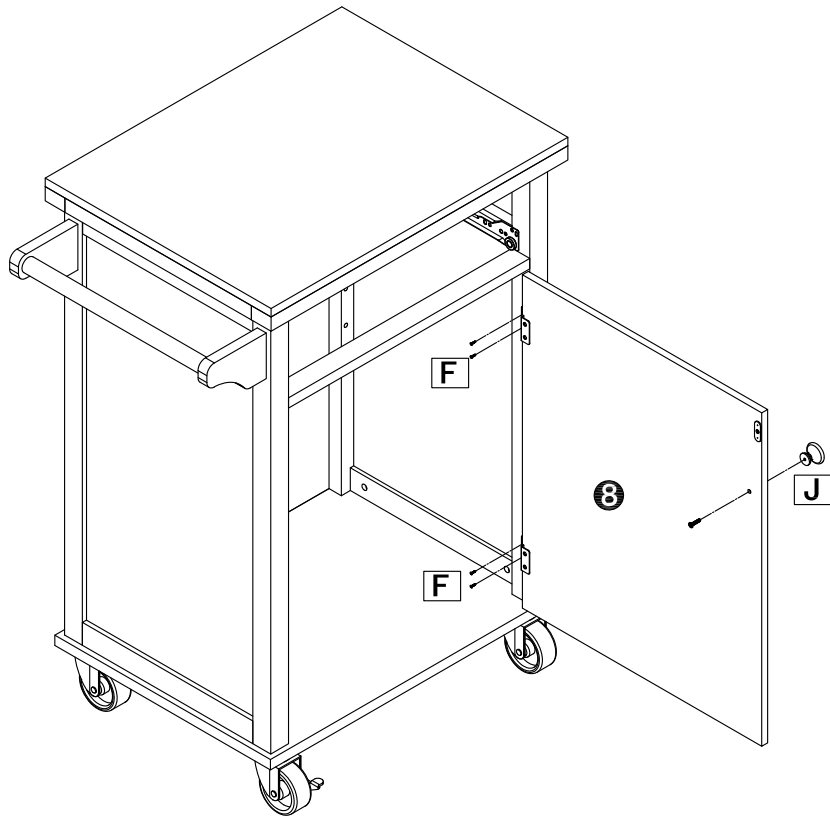
8





G	x 2
Ø6X30mm	

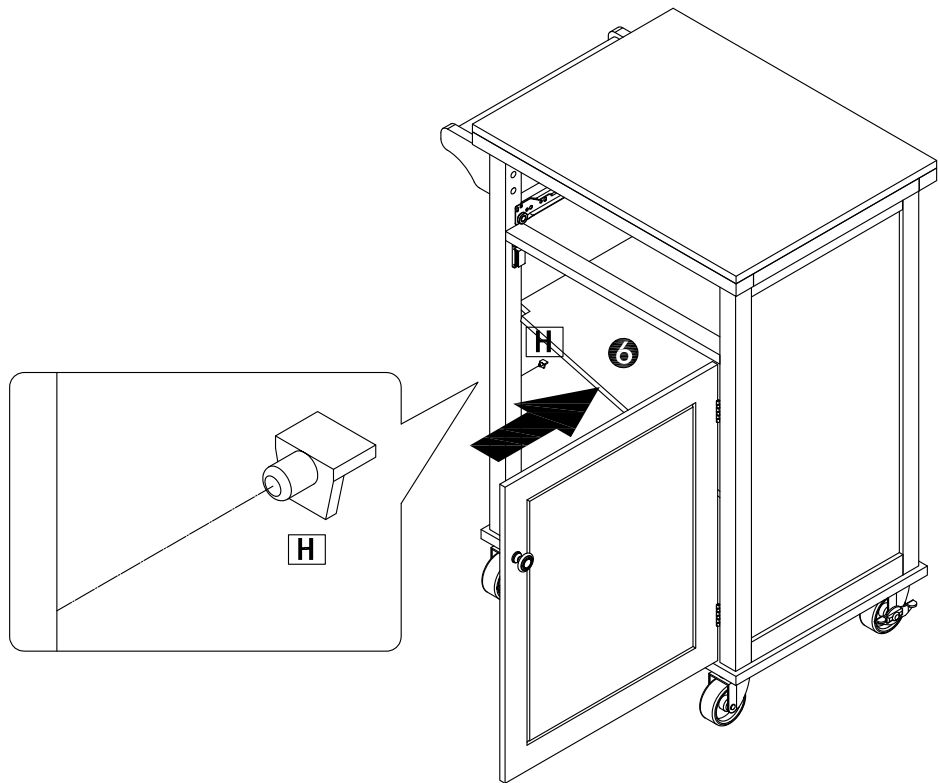
C	x 4
M4X30mm	

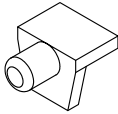
9



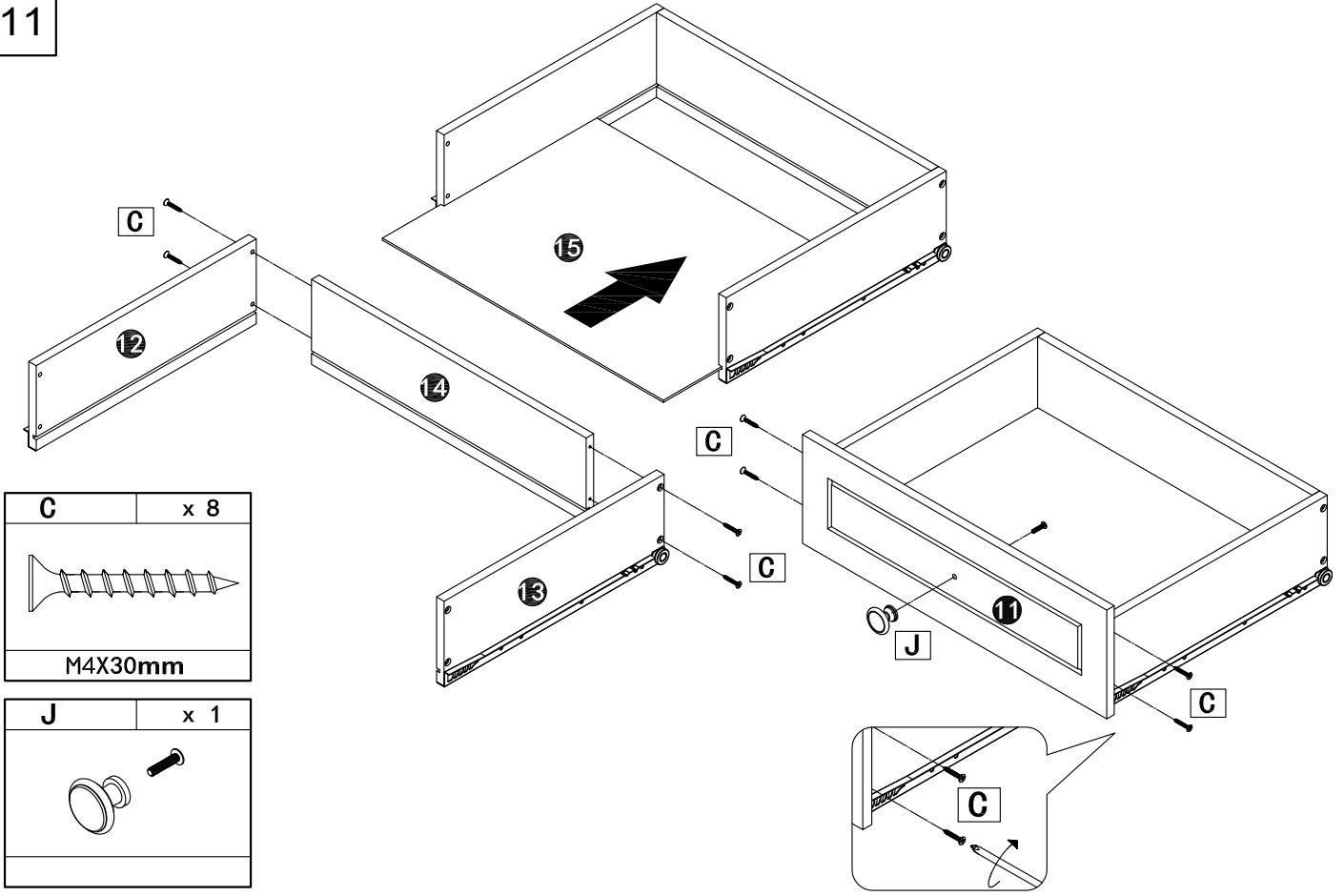
F	x 4
	
M3X12mm	
J	x 1
	

10



H	x 4
	

11



12

