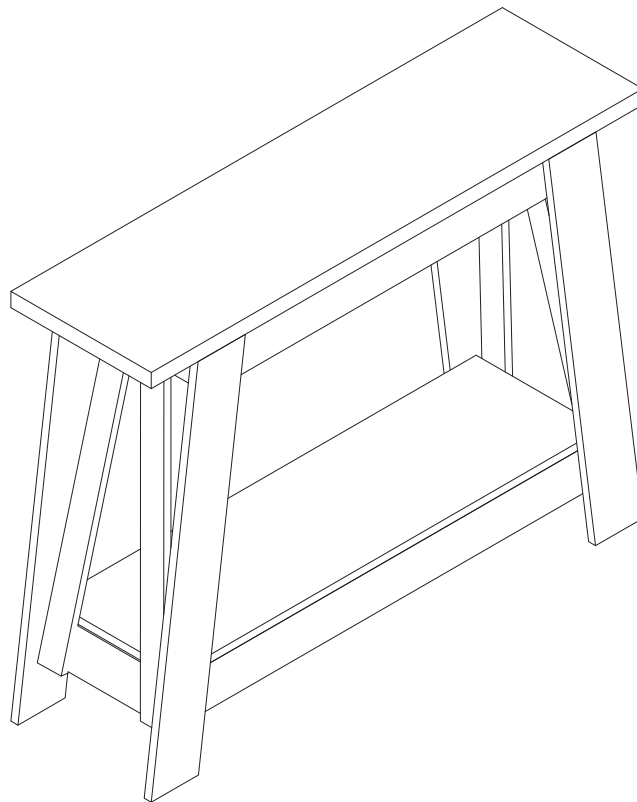


Tribesigns

DESIGNED FOR LIFE

Assembly Instructions



Console Table

Model No.
HOGA-JW1060



LITTLE TREE
Little Tree by Tribesigns

www.tribesigns.com



Contact Us

We're here to help you.




Your satisfaction is our top priority. If you encounter any issues with this product, such as missing or damaged parts, we're here to help. Please retain the original packaging and take photos of the packaging and the product, then contact us as soon as possible.

Warm Tips

1. Carefully read these instructions and keep them for future reference.
2. Check the parts list and confirm everything's there before starting assembly.
3. When assembling, put all parts on a soft, smooth surface like a carpet to avoid scratches.
4. Don't fully tighten screws until all parts are confirmed in place to avoid misalignment.

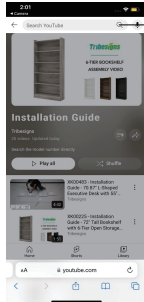
How to Get the Assembly Video

Step 1 Scan the QR code.



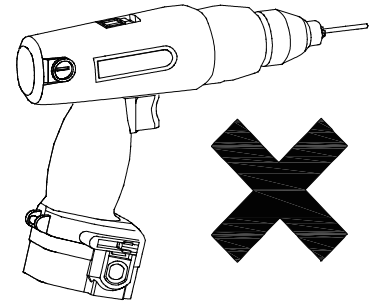
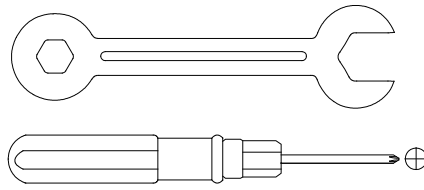
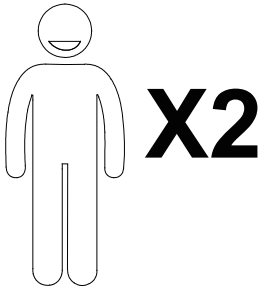
Installation Video

Step 2 Search with the Model No. (on the bottom left corner of the title page)



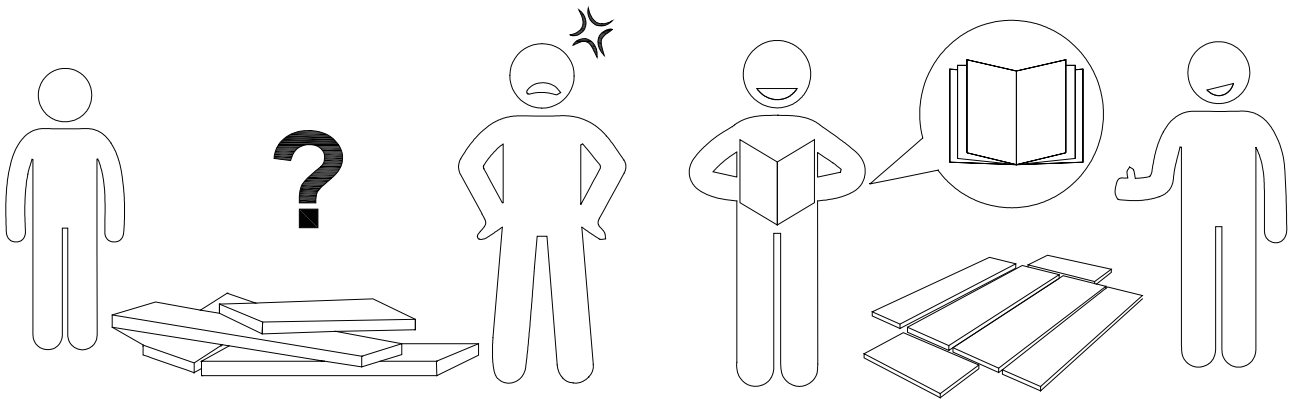
HOGA-JW1060

Note: If you can't find the assembly video, please contact us.



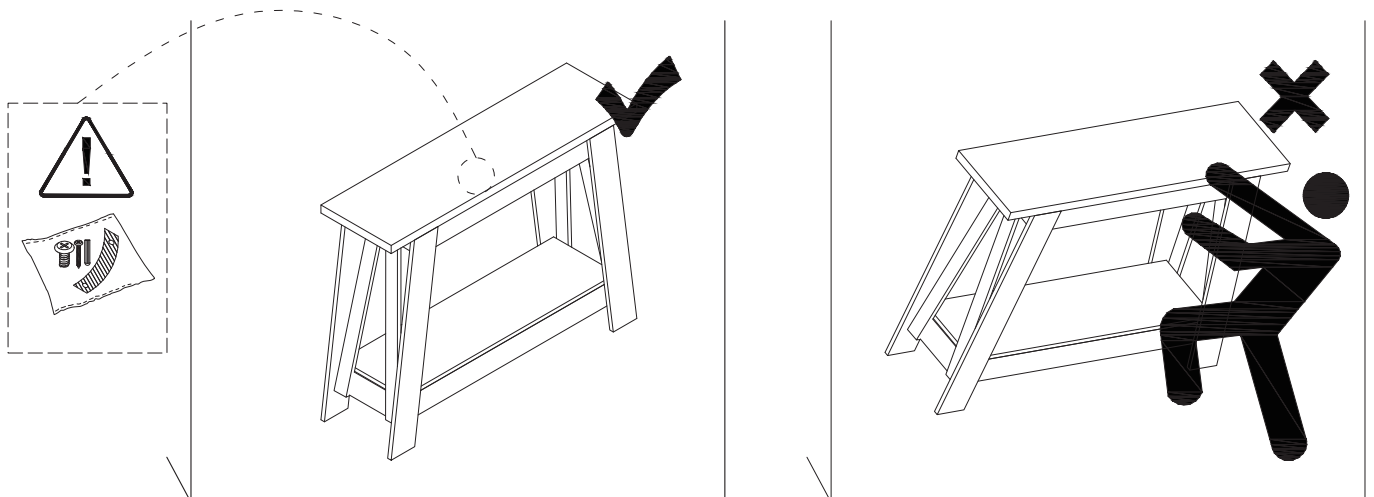
We recommend using hand tools for assembly.

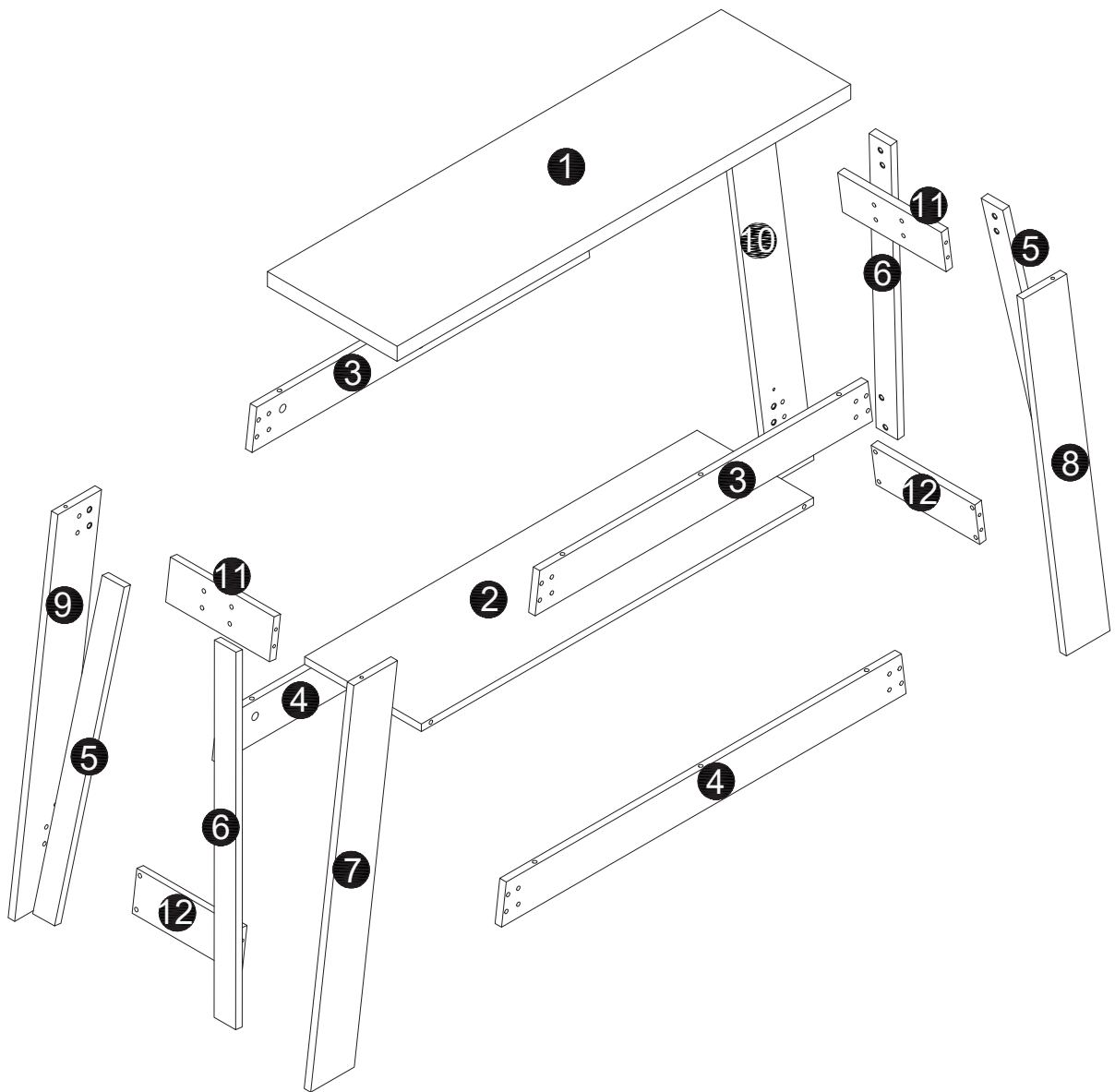
If an electric screwdriver is used, reduce power and torque to avoid damage to the product.



Install the Anti-Tip Straps

Using the anti-tip straps can reduce the risk of tipping over, but can not eliminate it.





⚠ Caution

Make sure all parts are included. Most board parts are labeled or stamped on the raw edge. Contact us for a free replacement if you encounter any damaged or missing parts.

Parts List

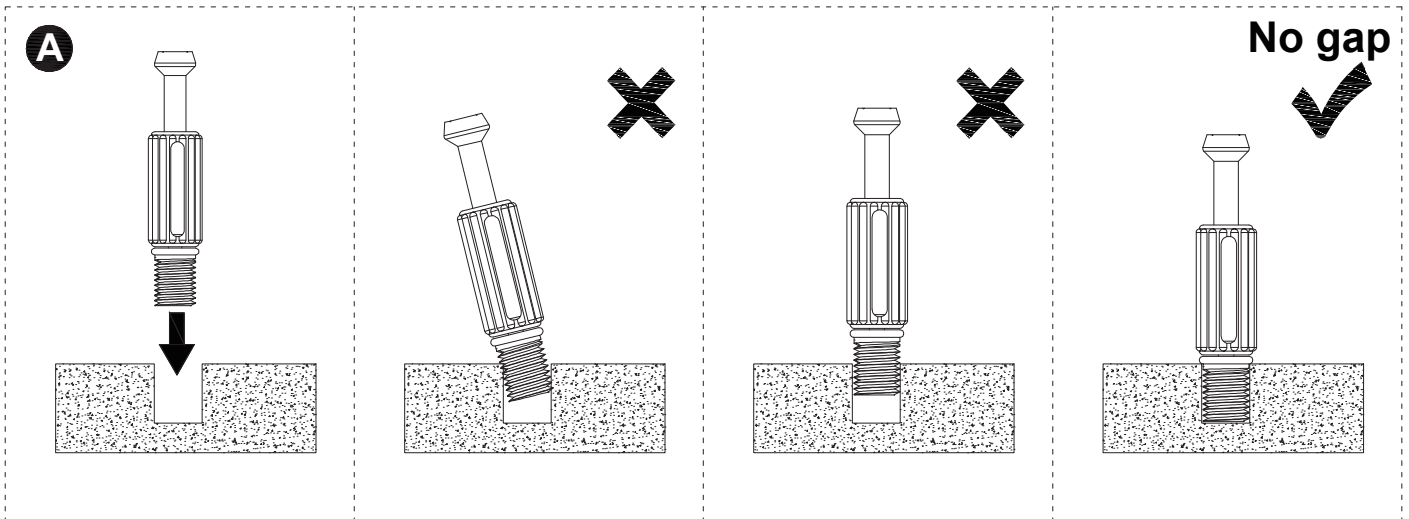
<p>1 pc</p>	<p>1 pc</p>	<p>2 pcs</p>
<p>2 pcs</p>	<p>2 pcs</p>	<p>2 pcs</p>
<p>1 pc</p>	<p>1 pc</p>	<p>1 pc</p>
<p>1 pc</p>	<p>2 pcs</p>	<p>2 pcs</p>

Hardware List

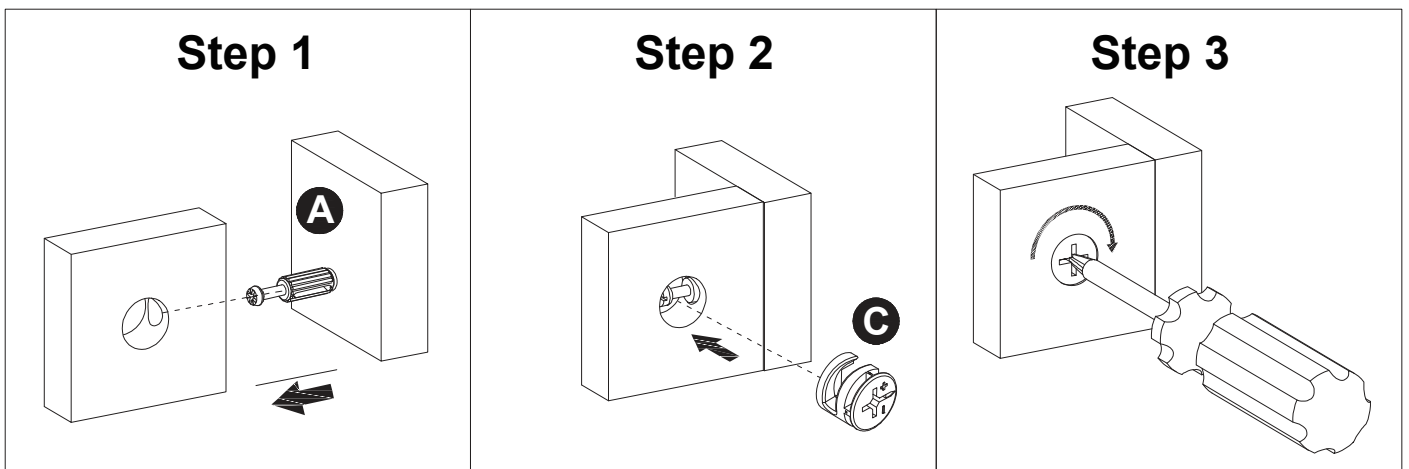
A	B	C	D	F	W	Z	
	<p>M7x50mm</p>		<p>M7x60mm</p>	<p>M6x25mm</p>	<p>Ø6x30mm</p>		
16 pcs	8 pcs	16 pcs	8 pcs	32 pcs	4 pcs	1 pc	

Installation of Cams and Pins

Read each step carefully before starting. Each step of instruction should be performed in the correct order. If these steps are not followed in sequence, assembly difficulties may occur.




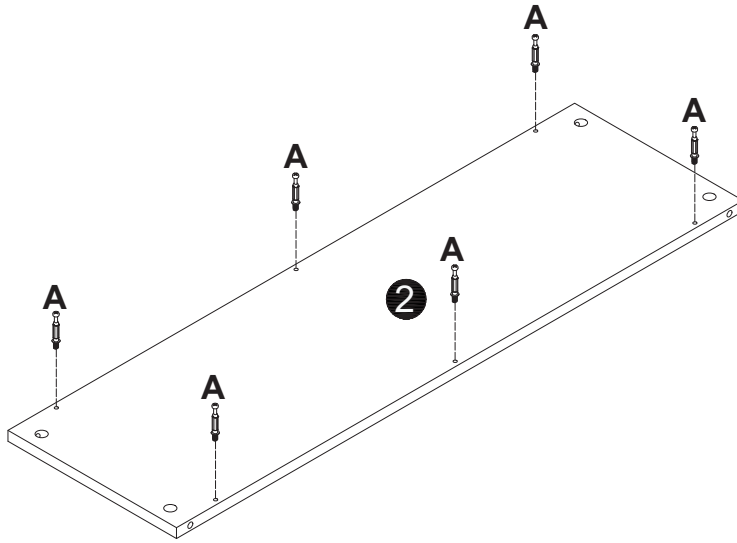
Screw the pin into the hole. Set the cams correctly by aligning the head of the cams with the lock pins. Lock the cam by turning the cam head with a screwdriver until it is tightened. Please do not use an electric screwdriver to assemble the unit.







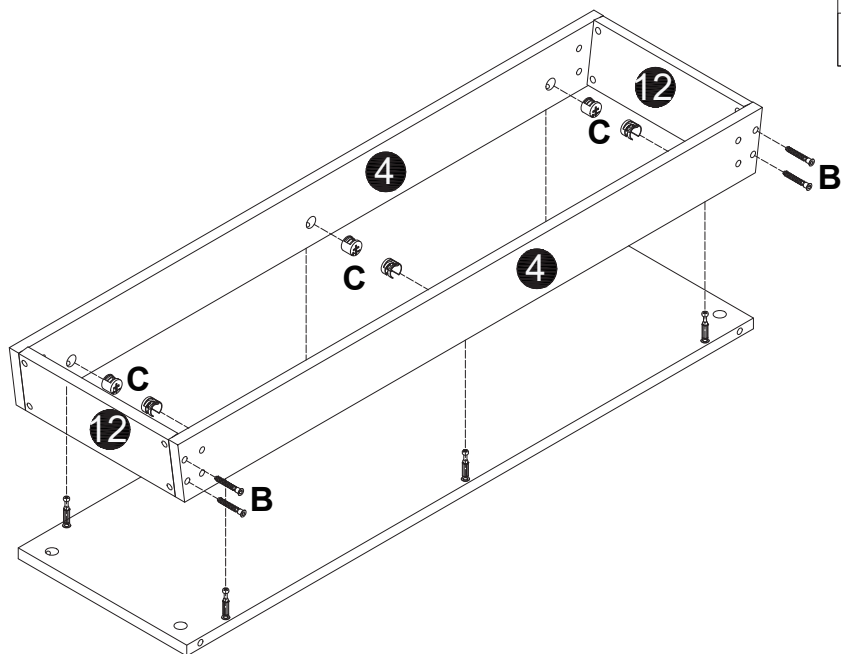
1

A

6 pcs




2

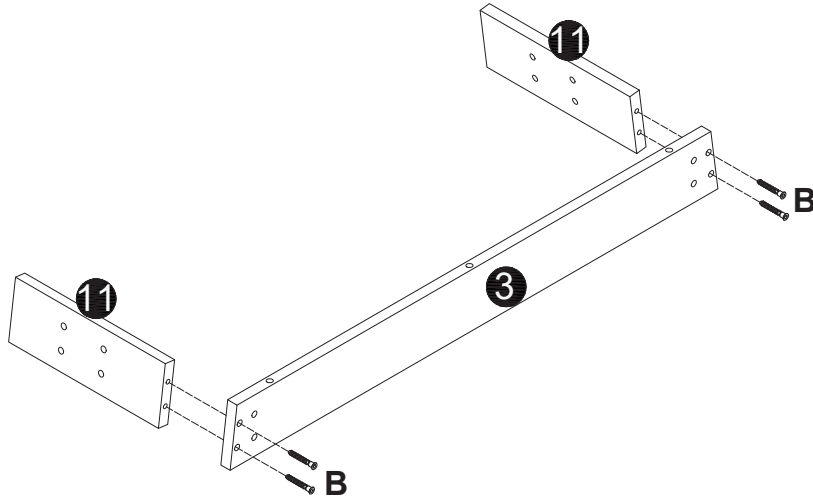
B	C
	
M7x50mm	
4 pcs	6 pcs






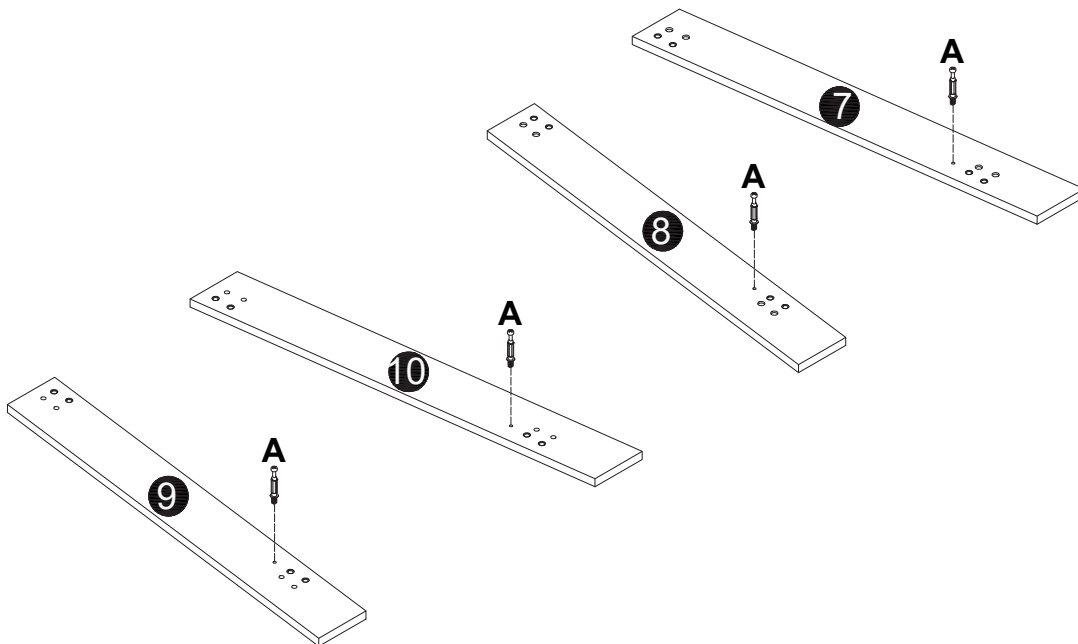
3

B
 M7x50mm
4 pcs



4

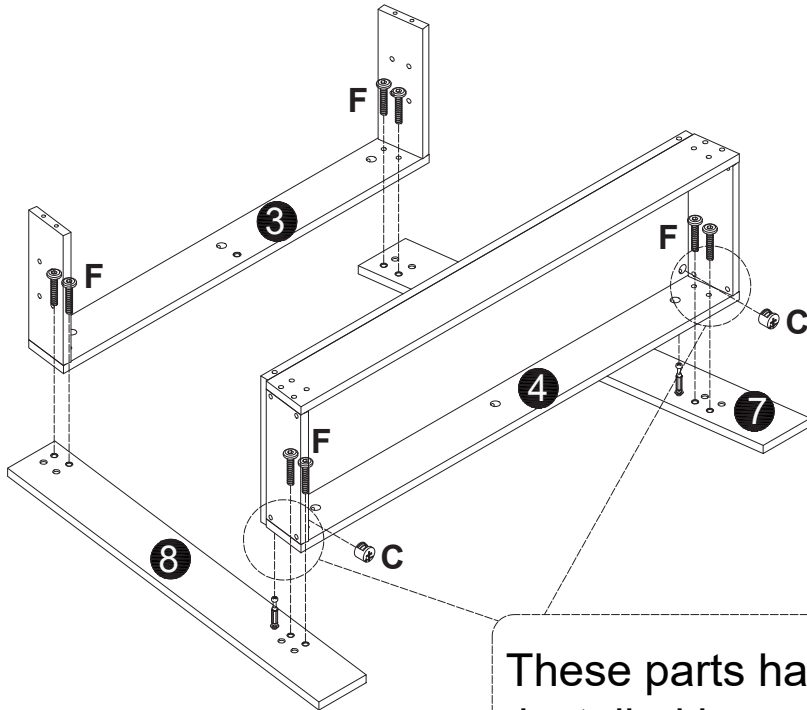
A

4 pcs





5

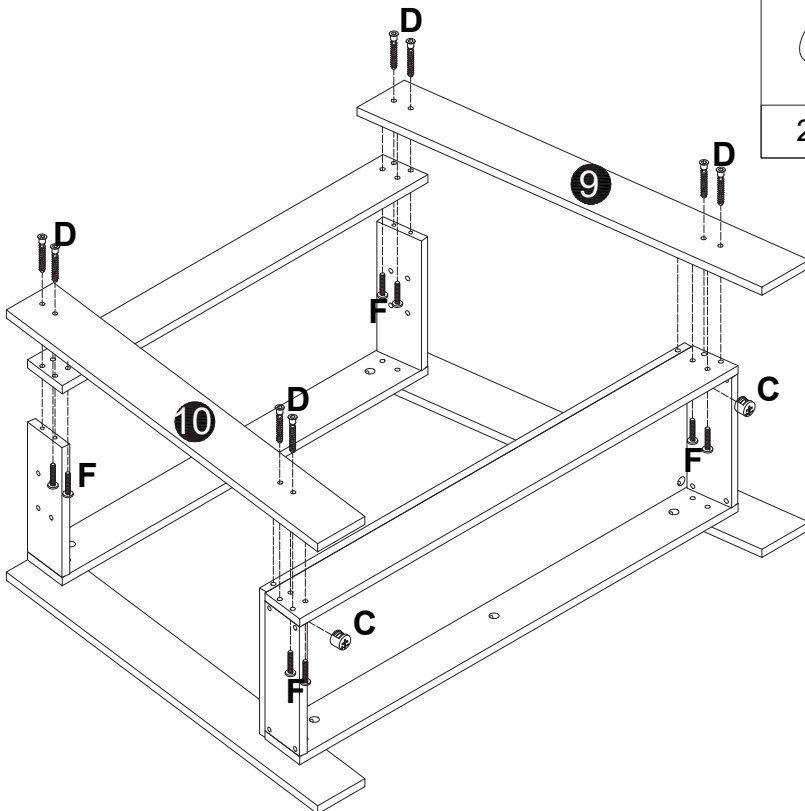
C	F
	 M6x25mm
2 pcs	8 pcs



These parts have been installed by screws #B.


6

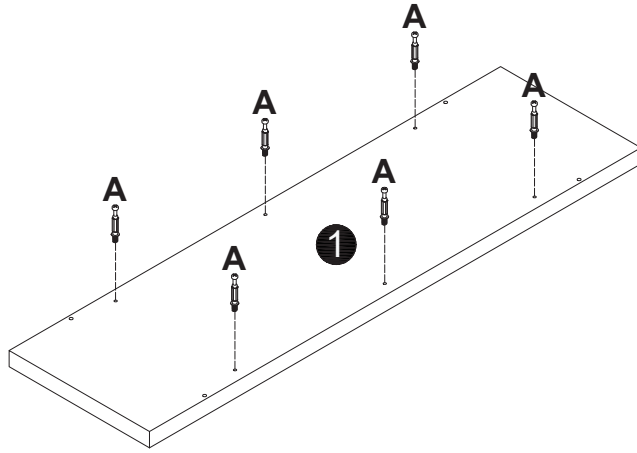
C	D	F
	 M7x60mm	 M6x25mm
2 pcs	8 pcs	8 pcs







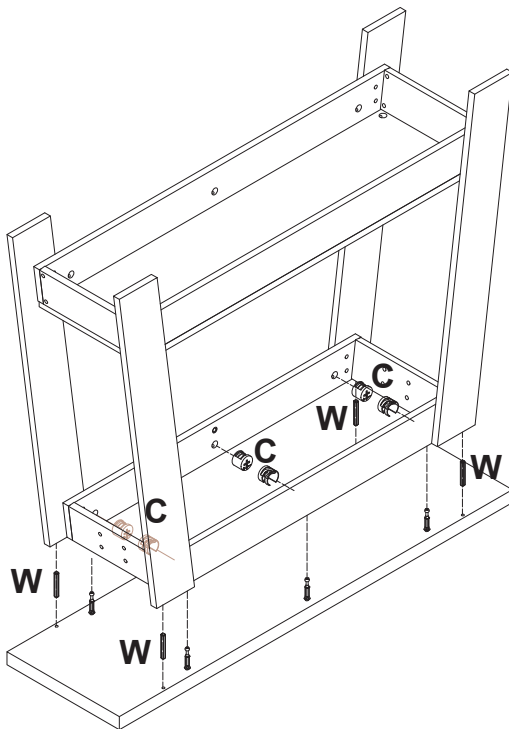
7

A

6 pcs




8

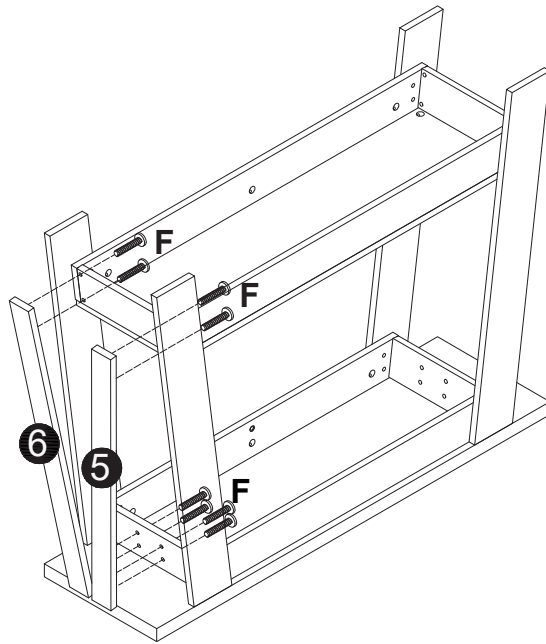
C	W
	
6 pcs	Ø6x30mm 4 pcs






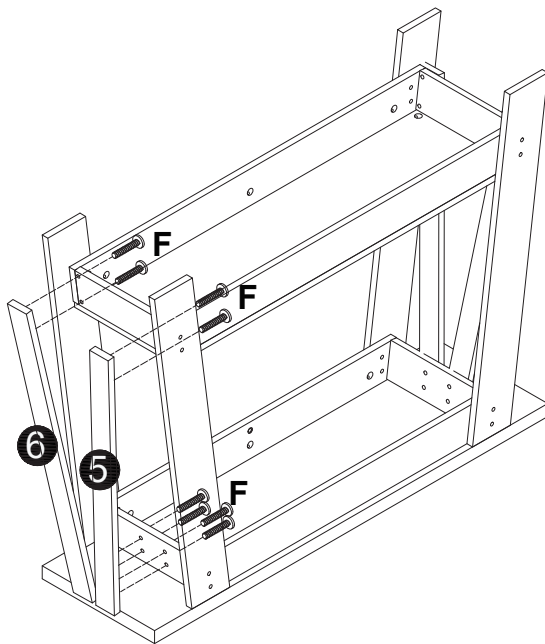
9

F

M6x25mm
8 pcs



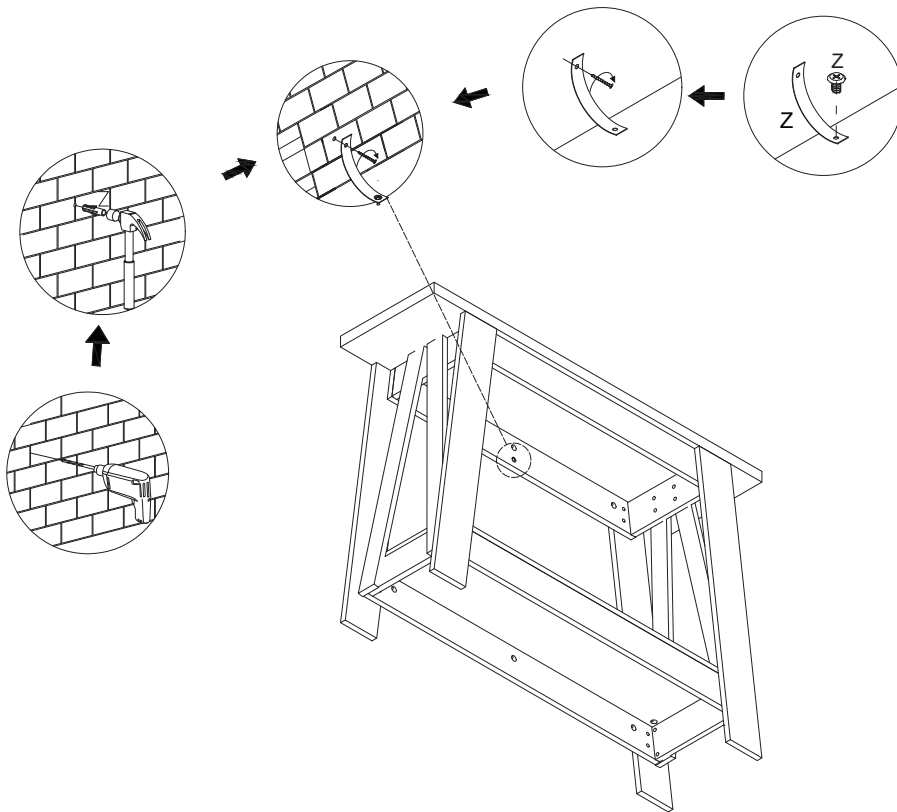
10

F

M6x25mm
8 pcs



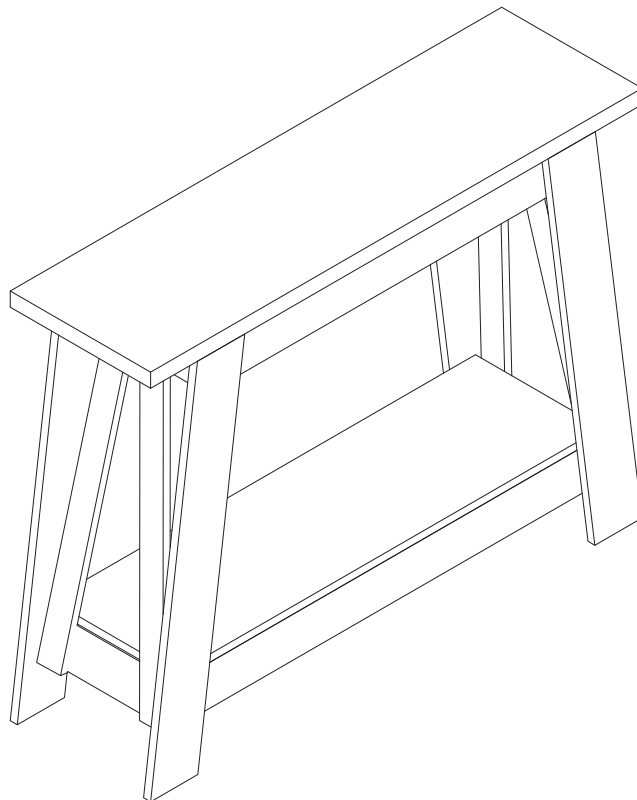


11



Z
1 pc

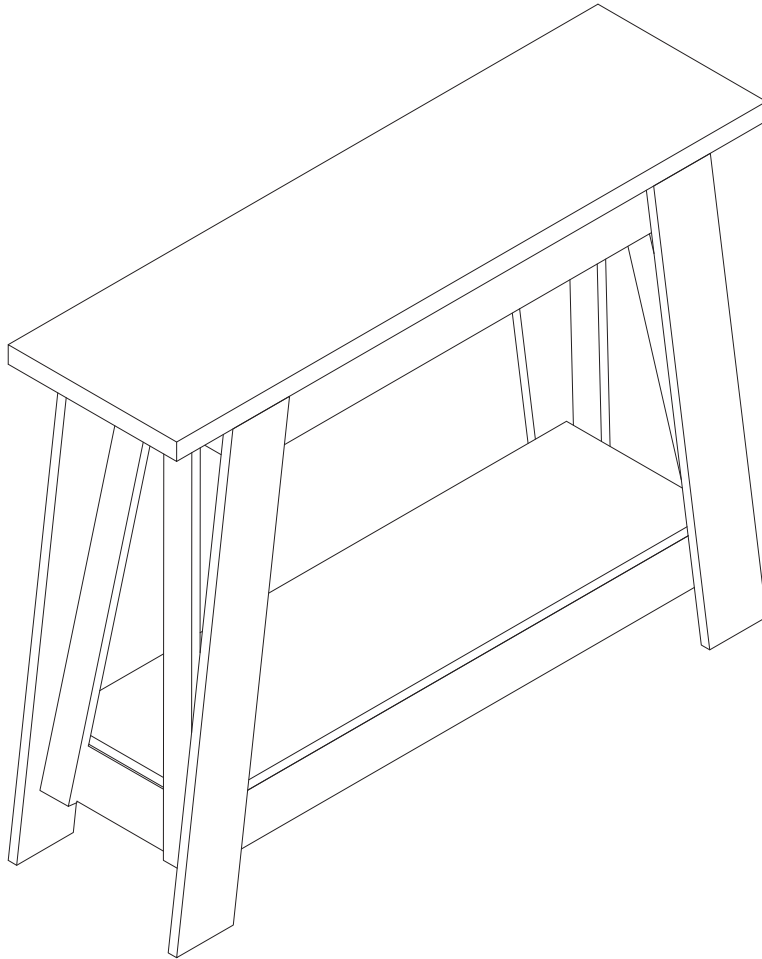
12





DESIGNED FOR LIFE

Thank you for your support!



Contact our customer service team



support@tribesigns.com
www.tribesigns.com



1-424-220-6888

7 AM to 8 PM EST,
Monday to Friday

Follow Tribesigns



Facebook



Instagram



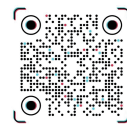
Pinterest



Twitter



YouTube



TikTok



WhatsApp