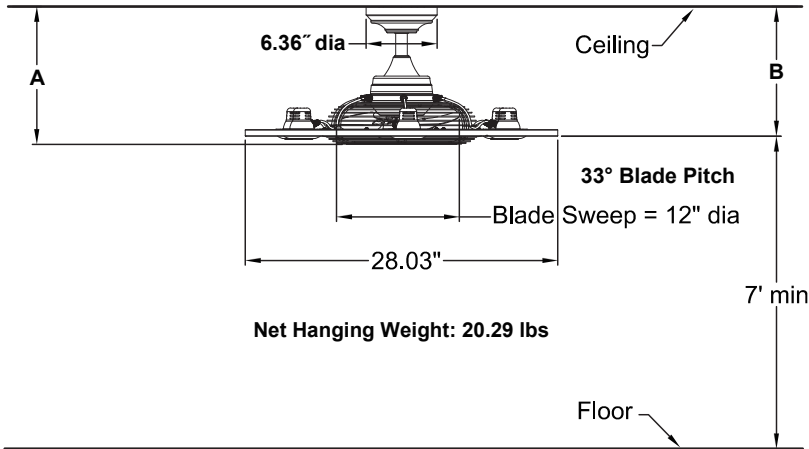




28" Ceiling Fan

	A	B
Fan w/4.5" downrod	12.51"	11.52"
Fan w/12" downrod	20.01"	19.02"
Fan w/18" downrod	26.01"	25.02"
Fan w/24" downrod	32.01"	31.02"
Fan w/36" downrod	44.01"	43.02"
Fan w/48" downrod	56.01"	55.02"
Fan w/60" downrod	68.01"	67.02"
Fan w/72" downrod	80.01"	79.02"

Available Finishes	
LBL	Black with Black Blade and Black Finish Disc
LBN	Brushed Nickel with Brushed Nickel Blade and Gray Finish Disc
LGR	Matte Greige with Matte Greige Blade and Weathered Wood Finish Disc



INSTALLATION REQUIREMENTS:

Fan must be attached to a securely anchored electrical junction box capable of withstanding a load of at least 35 lbs.

ELECTRICAL REQUIREMENTS:

Requires a grounded electrical supply line of 120 volts AC, 60 Hz, 15 amp circuit.

MOTOR SPECS:

90 x 25 AC motor is designed for optimal performance with this fan.

CONTROL OPTIONS:

TR500S hand-held remote control is included. Push button remote control with variable fan speeds, infinite light levels and off button.

LIGHTING OPTIONS:

Six 7-watt LED bulbs included.

DOWNROD OPTIONS:

Fan comes with a 1" Dia. x 4.5" downrod (DRT1-45). Optional downrods are available in 12", 18", 24", 36", 48", 60" and 72". For installations requiring a longer downrod, a downrod coupler is available. Fan can be mounted on a sloped ceiling up to 19°. Optional sloped ceiling kits (SCK1-52) are available for up to 42°. Call technical support for more information.

LOCATION USE:

Fan is rated for dry location only.

Airflow / Energy Efficiency Info (120V)					
Fan Speed	Max RPM	CFM	CFM / Watts	Amps	Watts
High	1442	1072	37	0.25	29
Med	1150	870	42	0.27	21
Low	990	719	42	0.26	17

Energy Guide FTC			
Power (Watt)	Total Air Delivery (CFMave)	Estimated Yearly Energy Cost (\$)	Ceiling Fan Efficiency (CFM/W)
24	1016	7	42

Light Bulb Information (120V)					
Bulb Type	Watts	QTY	Lumens Amount	Color Temp	CRI
LED	7	6	3000	3000	90%