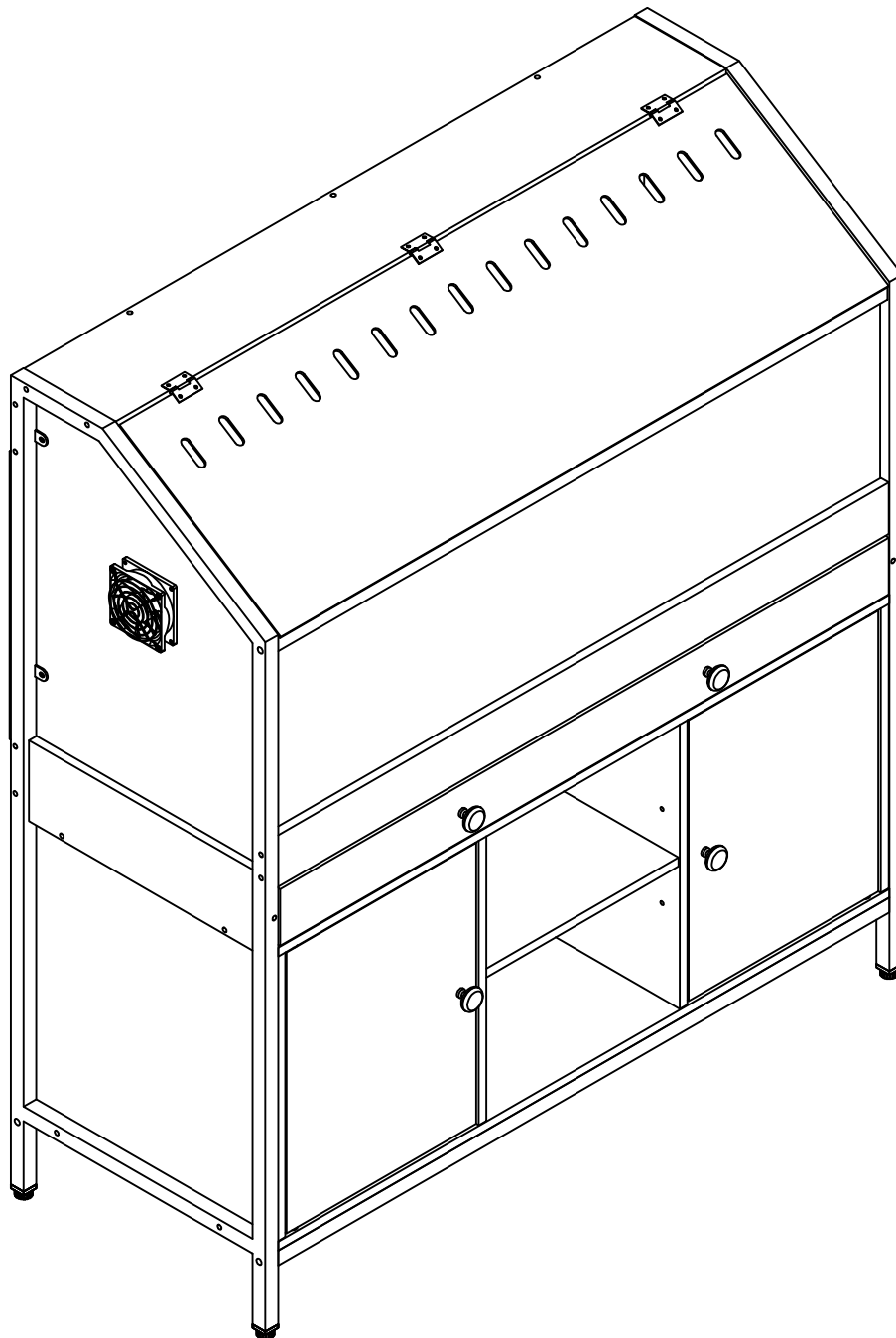
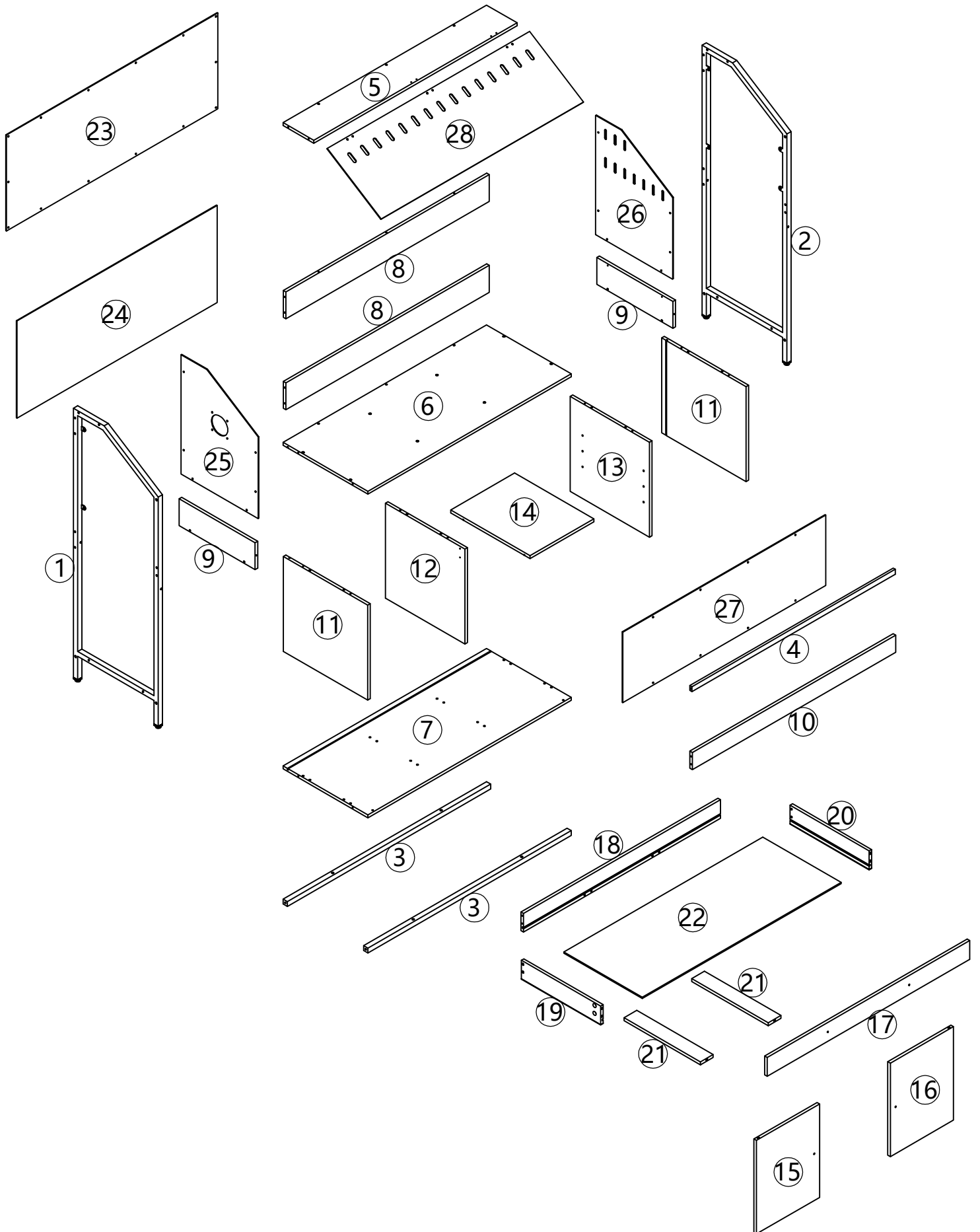


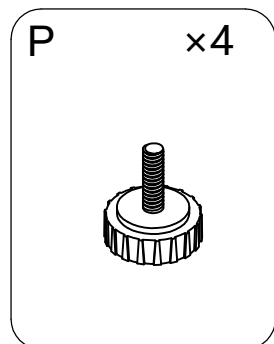
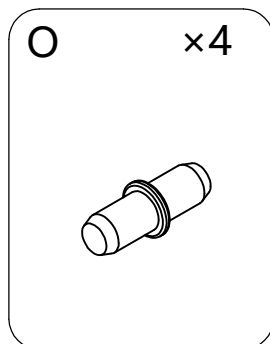
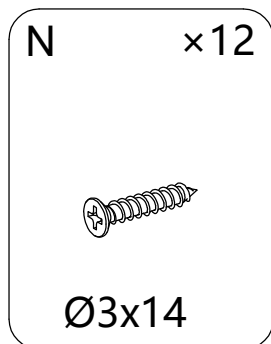
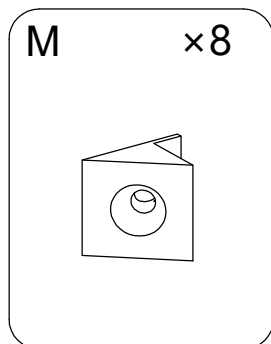
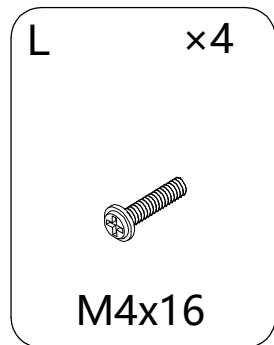
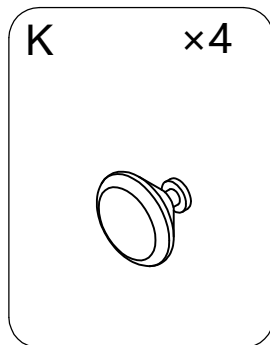
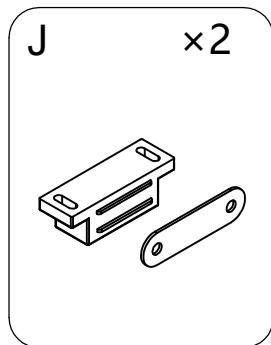
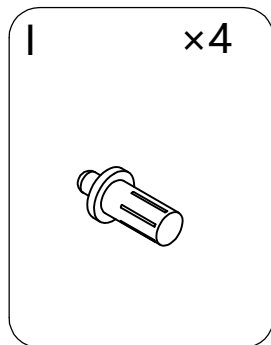
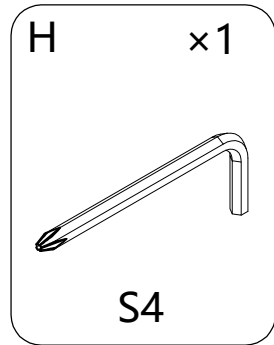
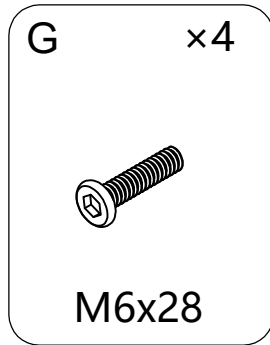
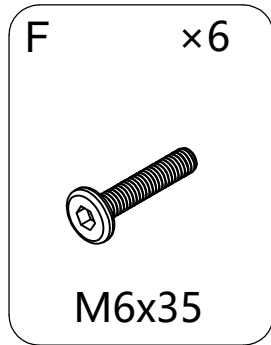
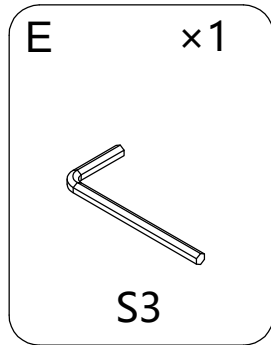
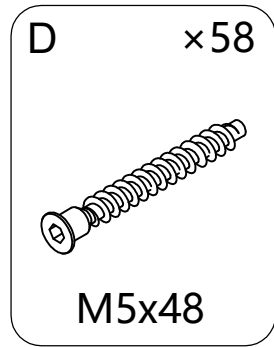
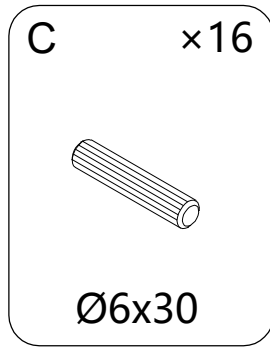
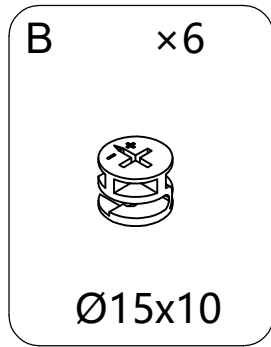
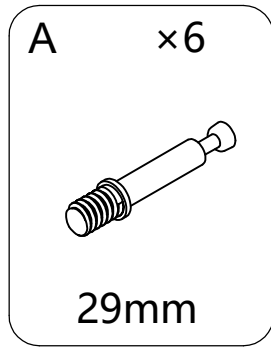
Installation & Assembly



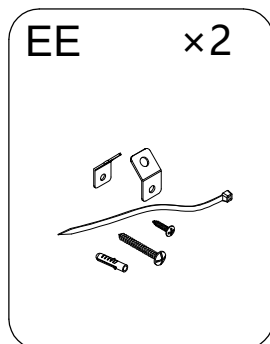
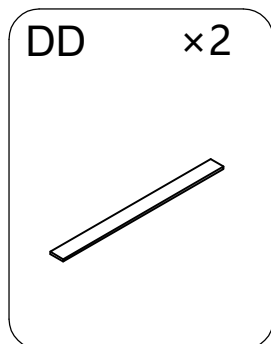
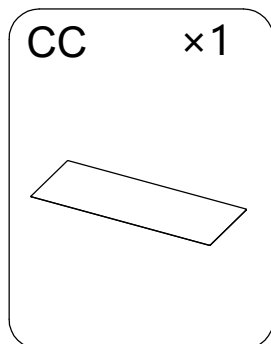
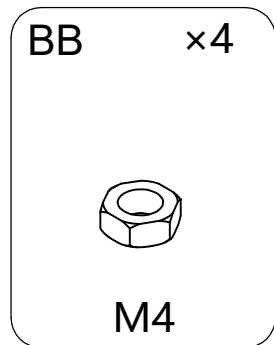
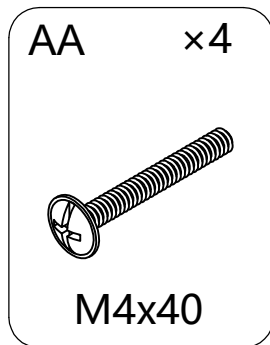
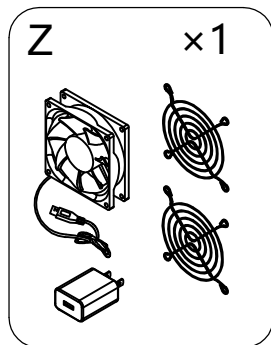
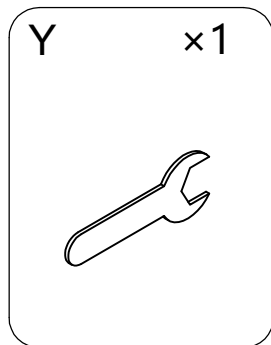
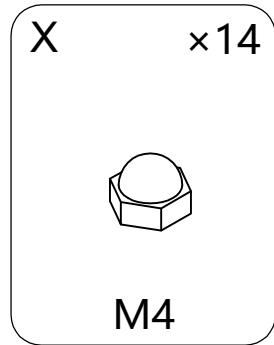
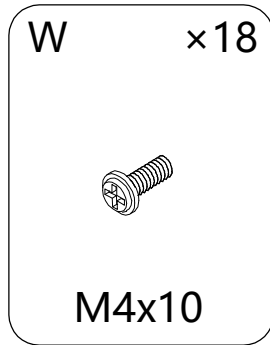
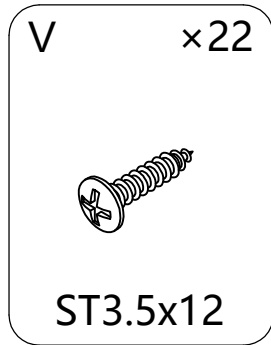
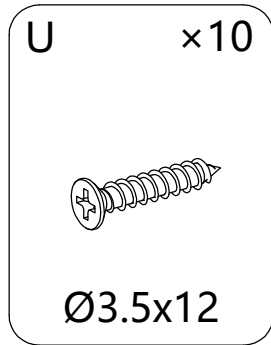
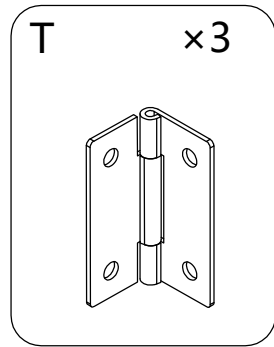
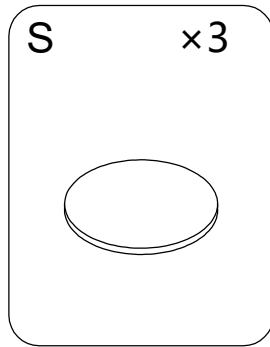
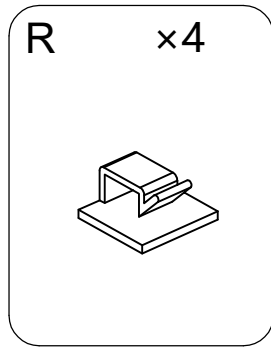
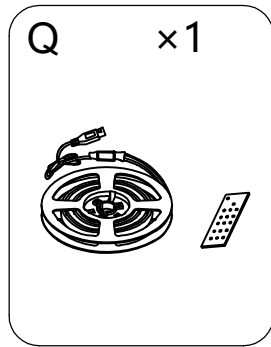
EXPLODED DRAWING:



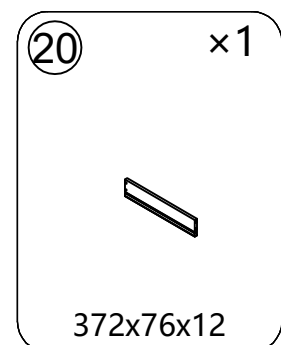
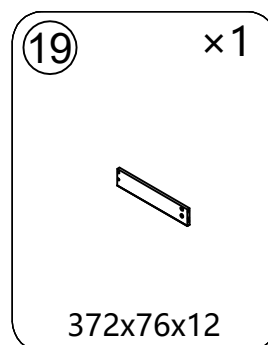
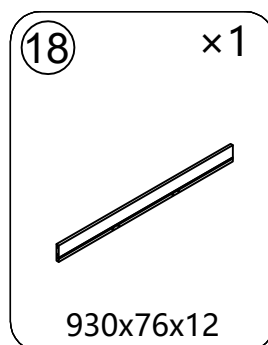
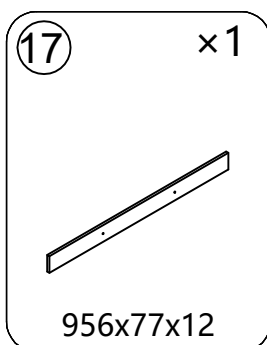
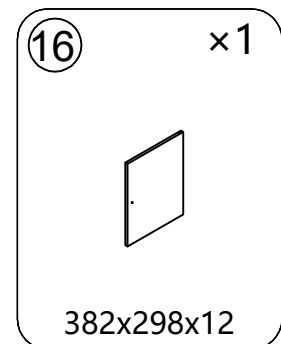
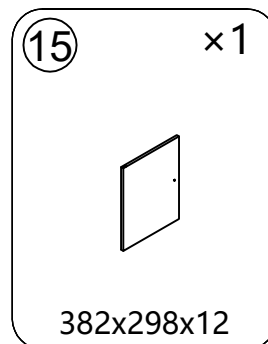
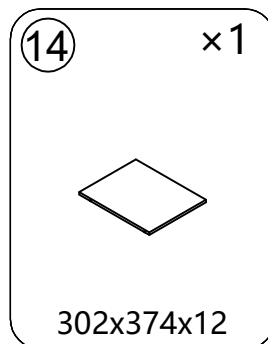
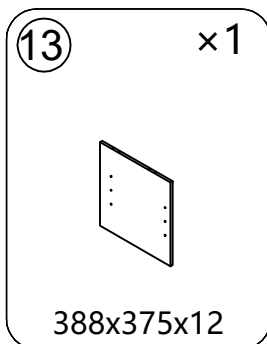
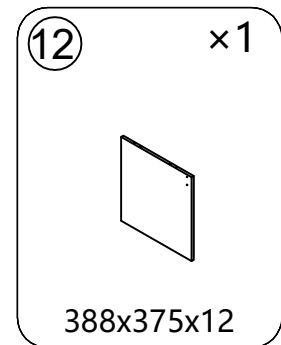
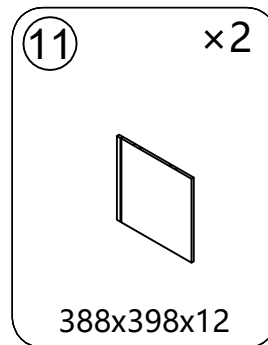
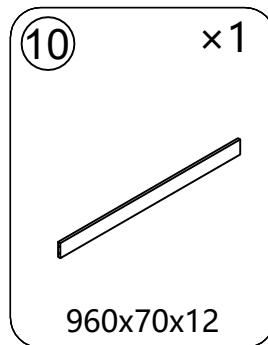
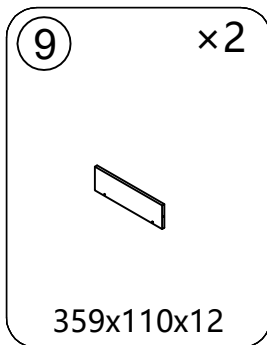
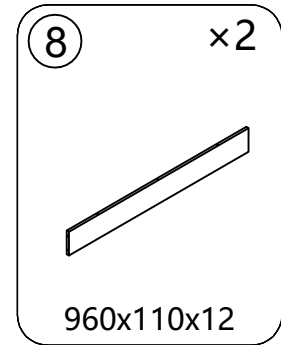
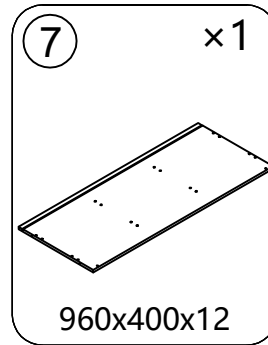
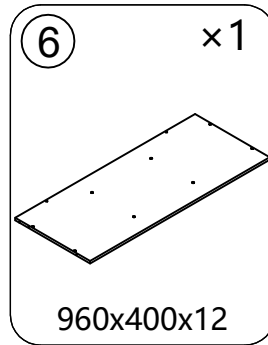
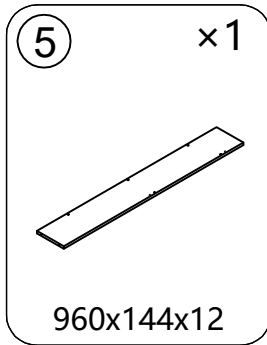
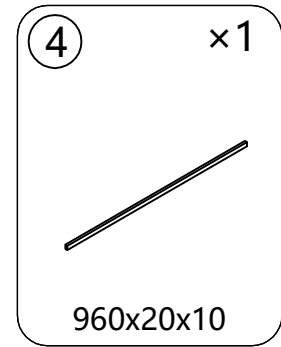
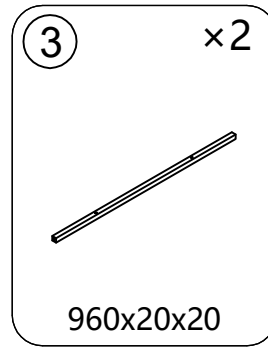
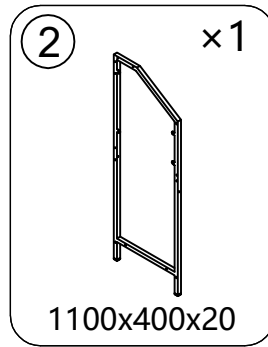
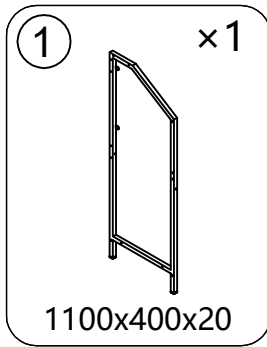
PARTS:



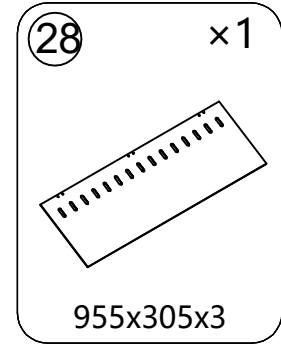
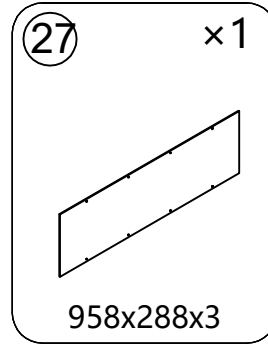
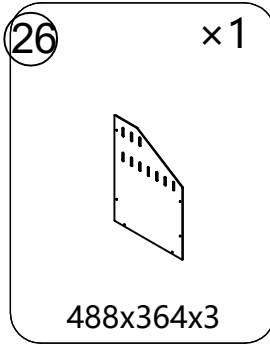
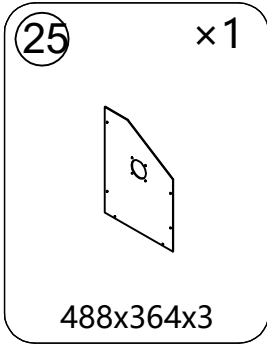
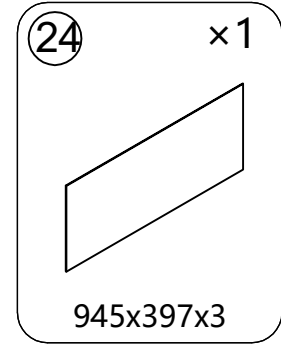
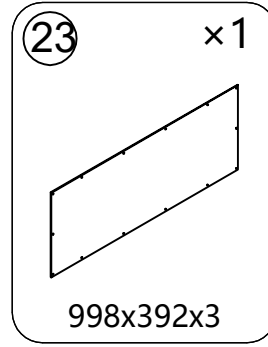
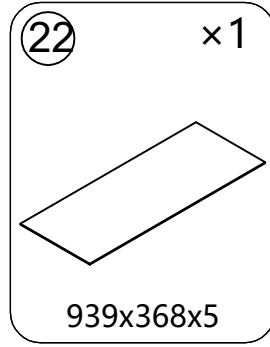
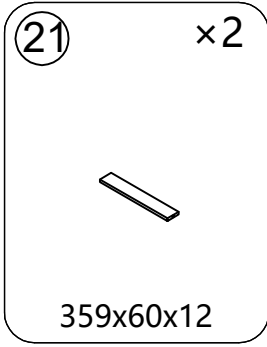
PARTS:



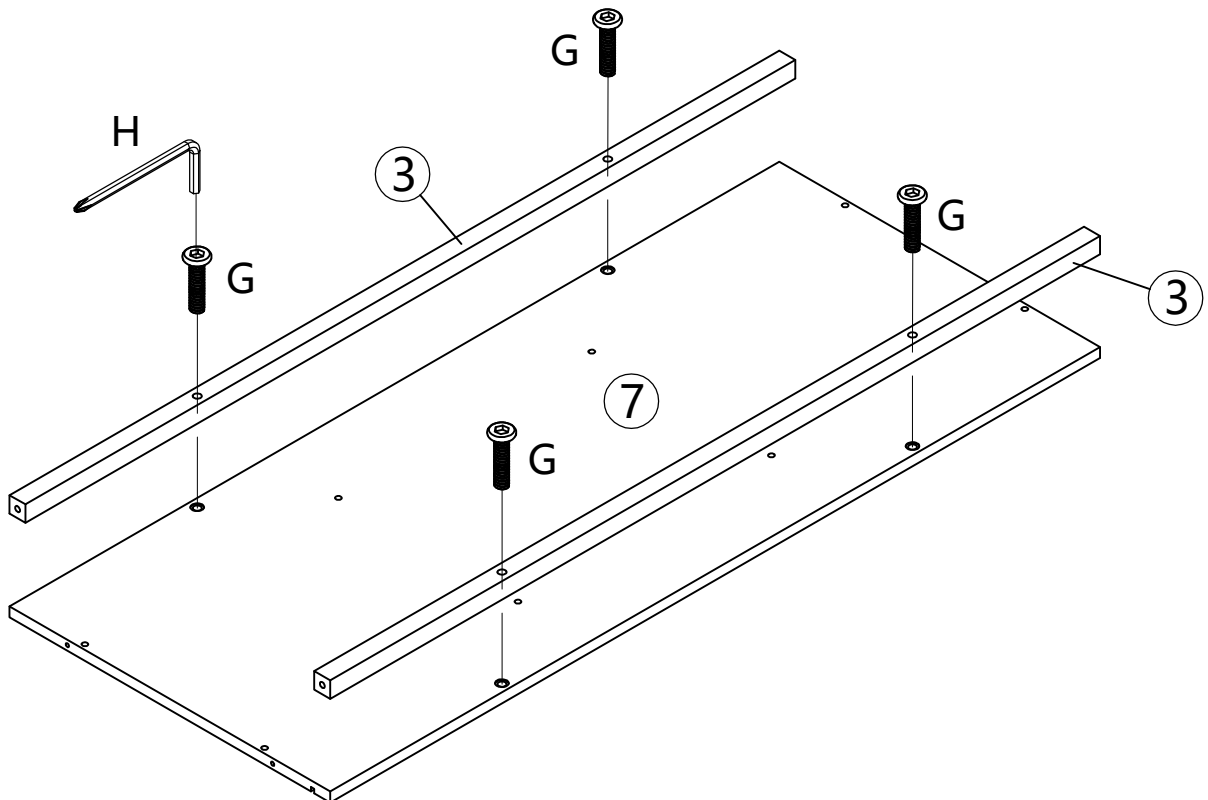
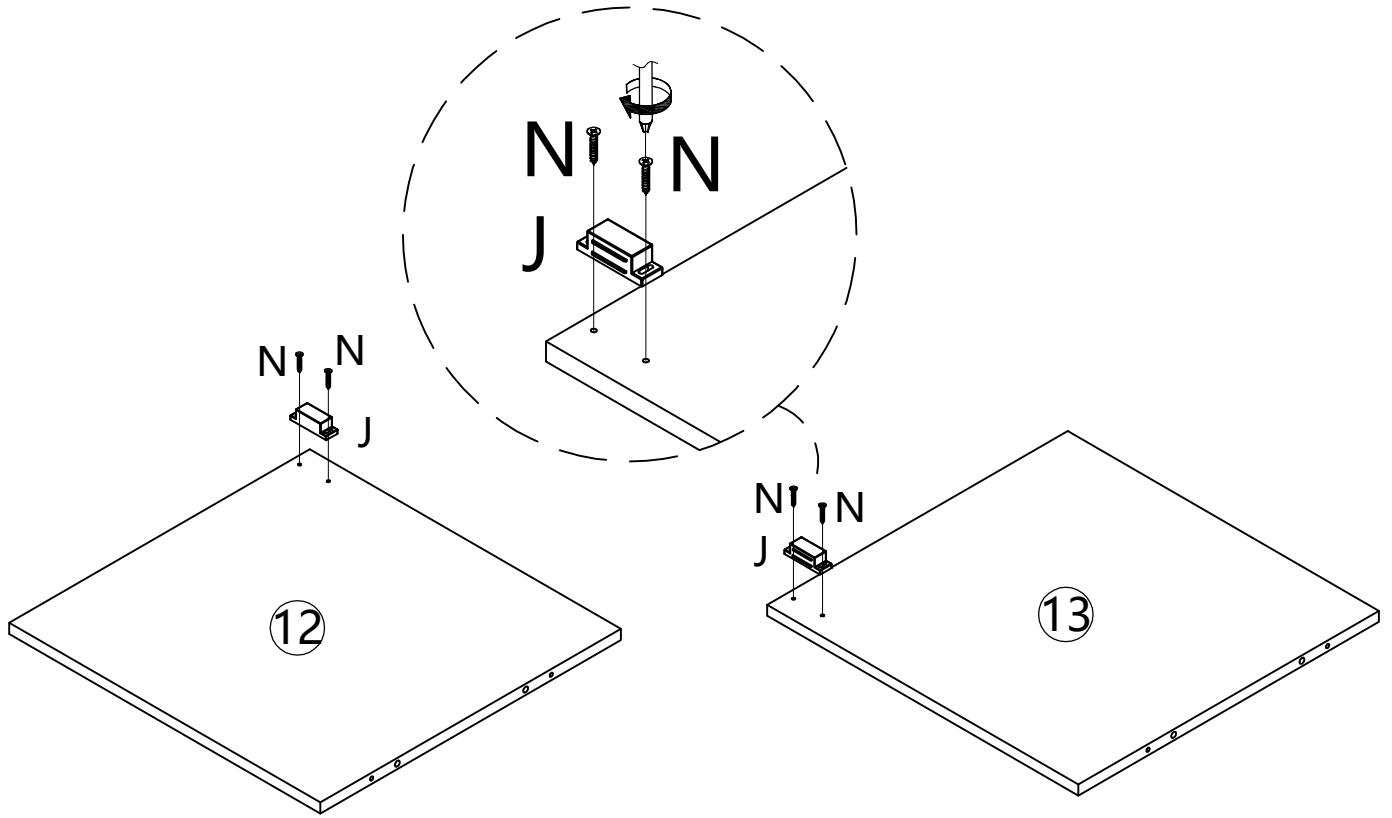
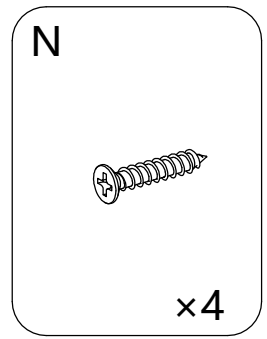
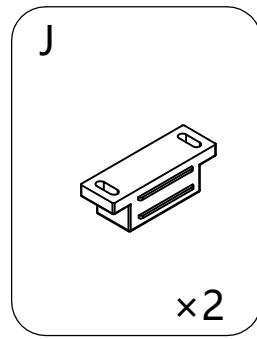
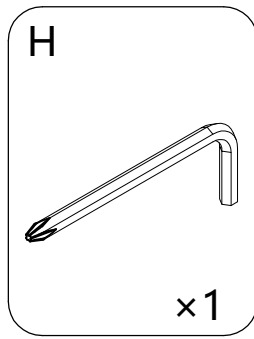
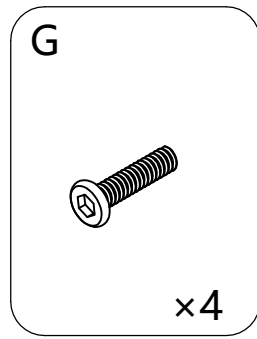
PARTS:



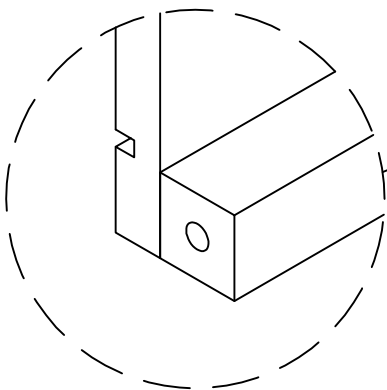
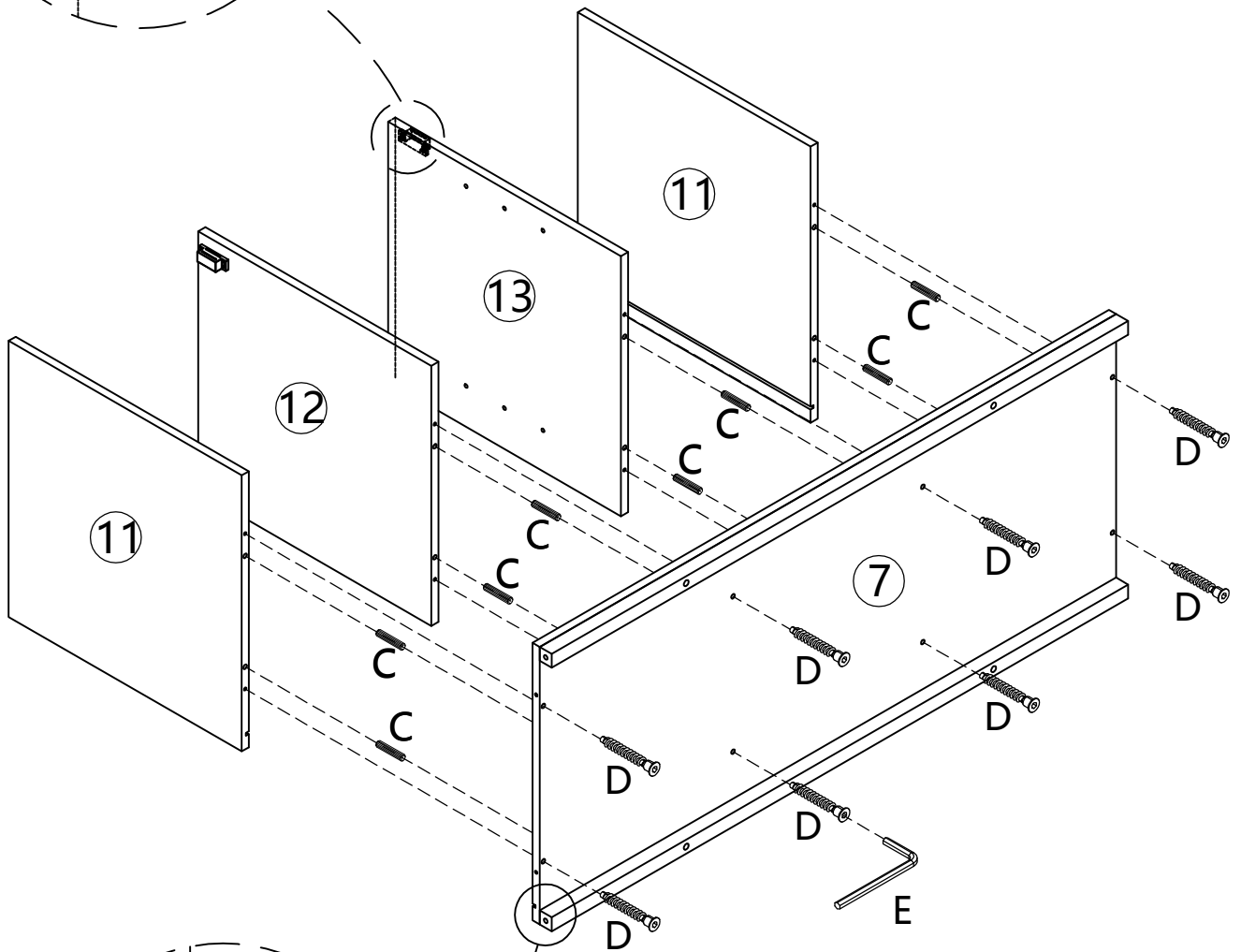
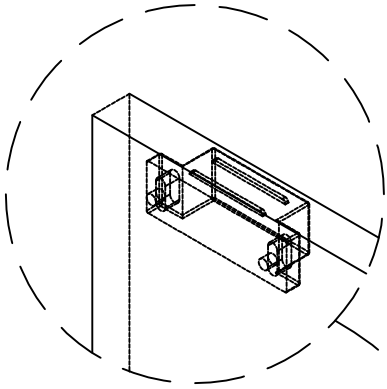
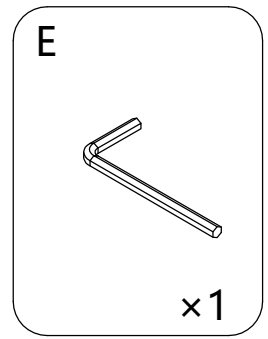
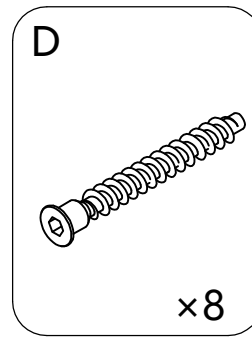
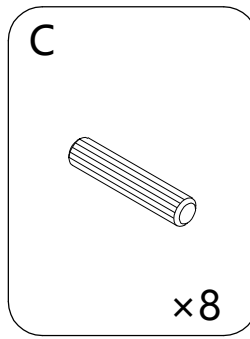
PARTS:



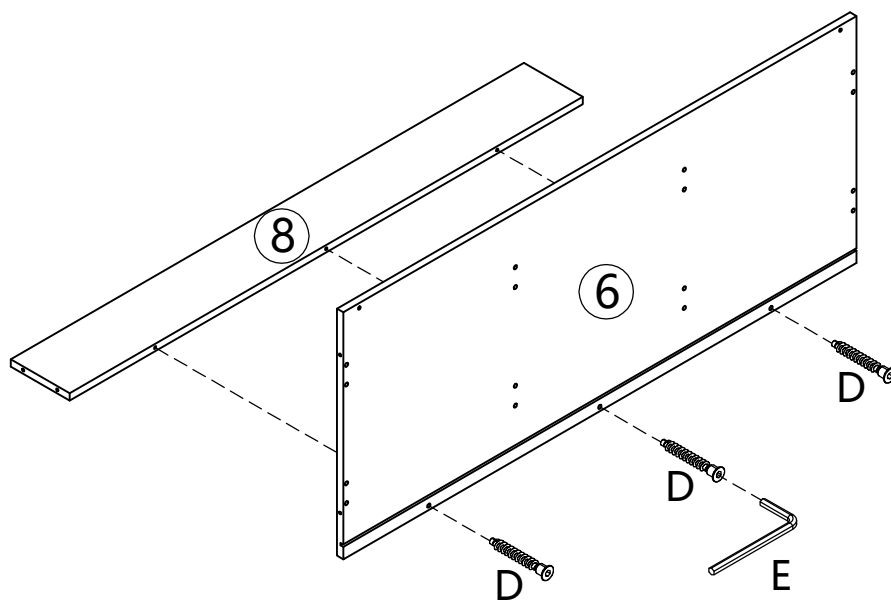
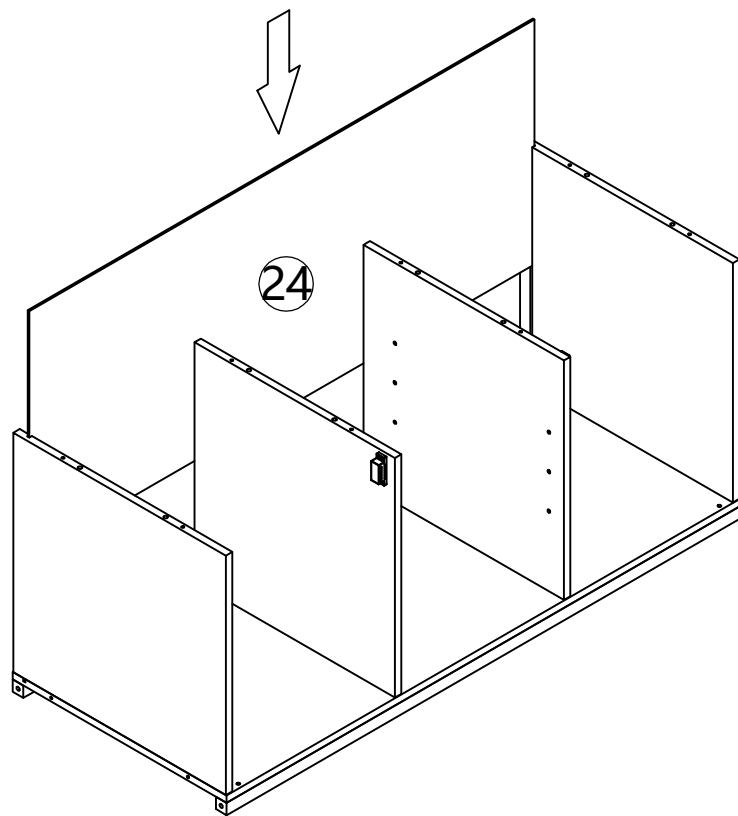
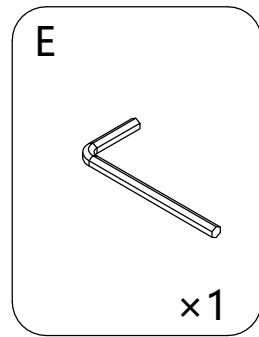
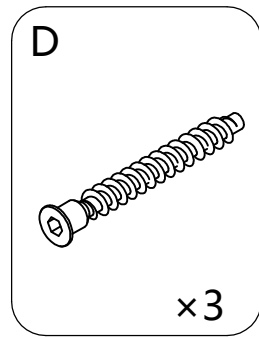
1.



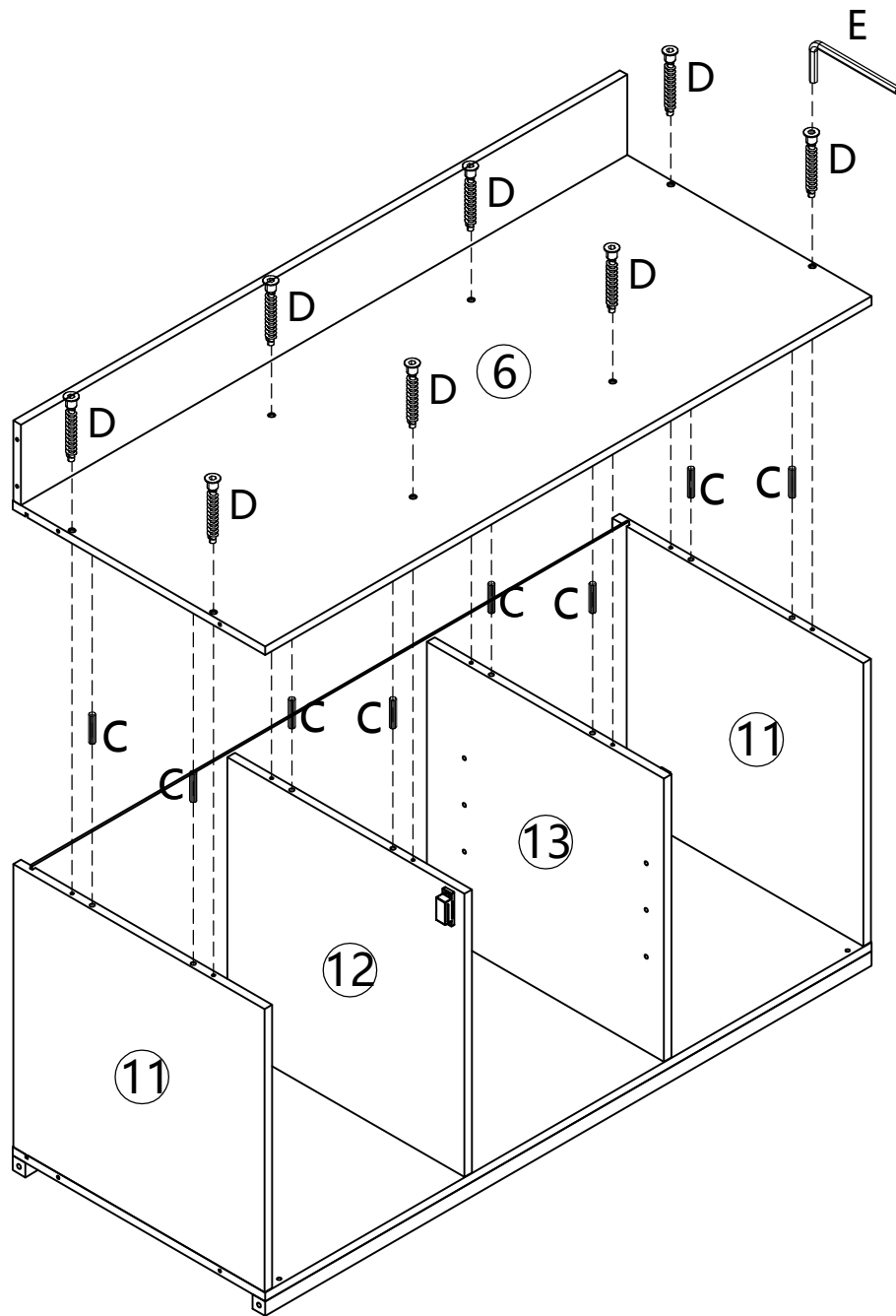
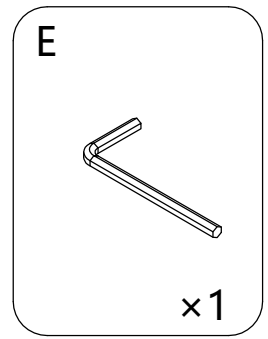
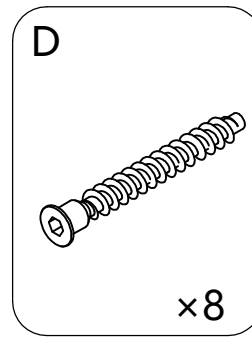
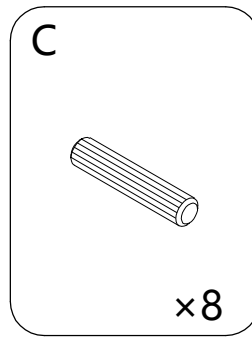
2.



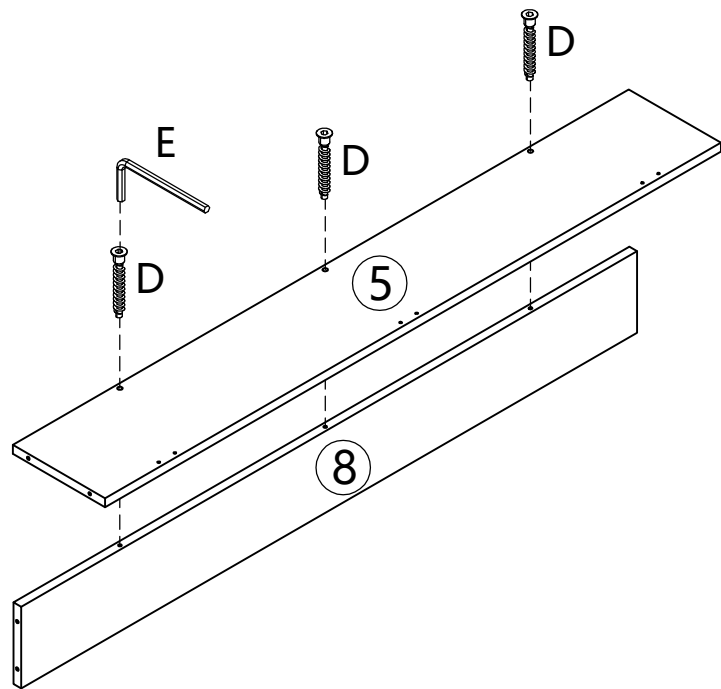
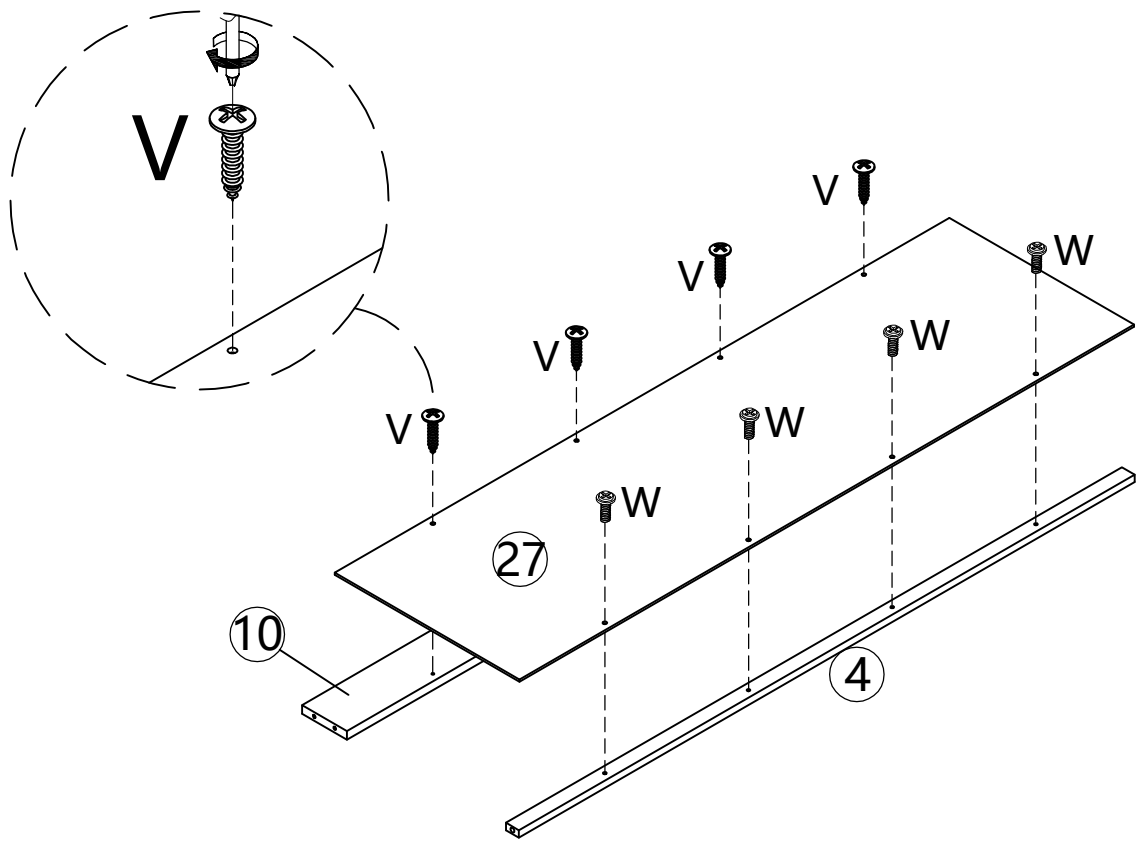
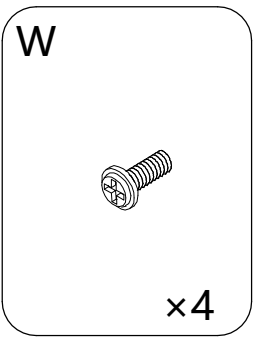
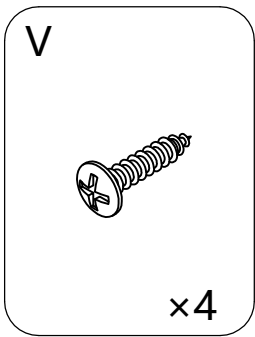
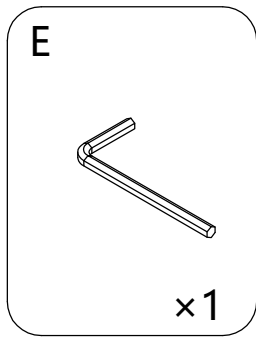
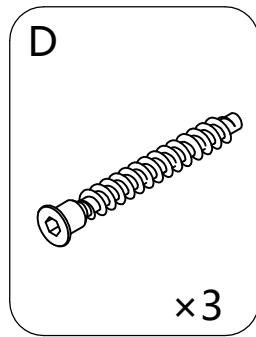
3.



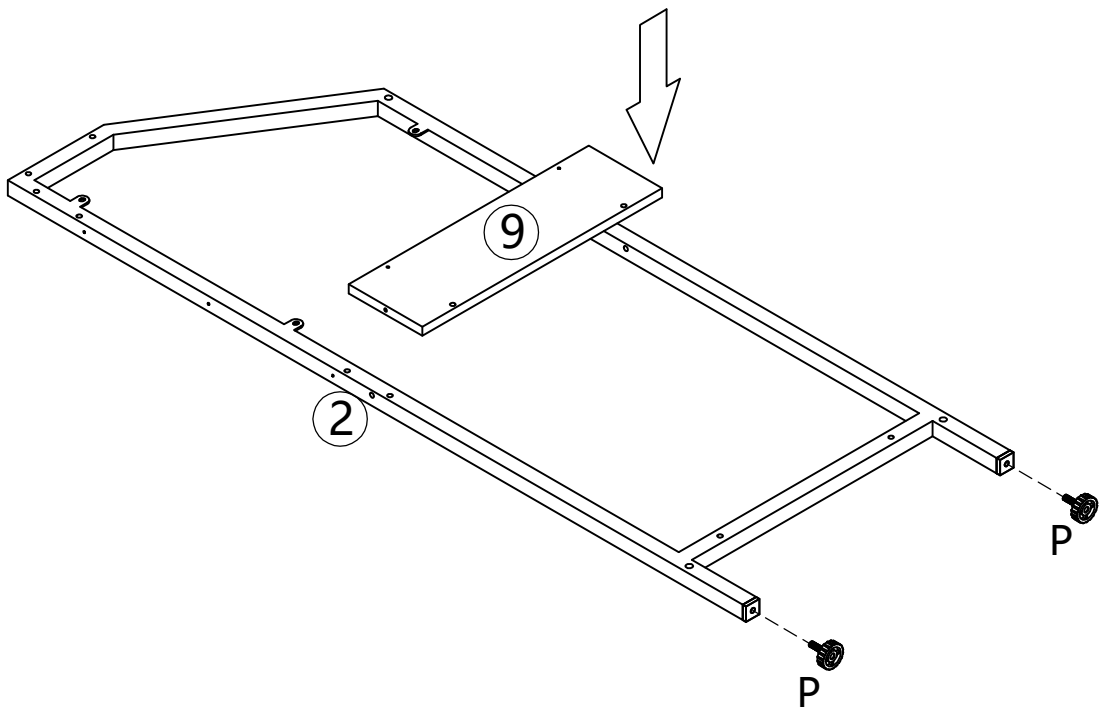
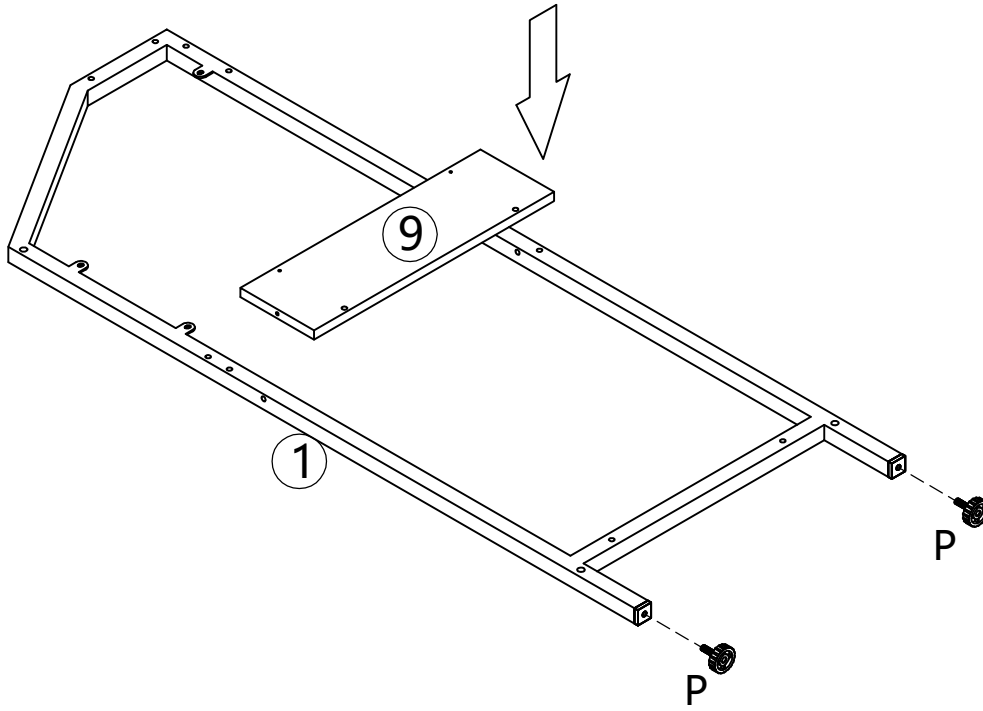
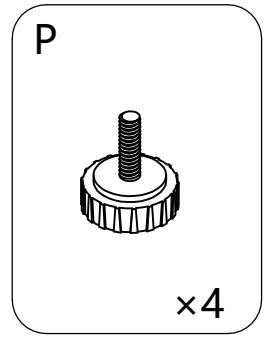
4.



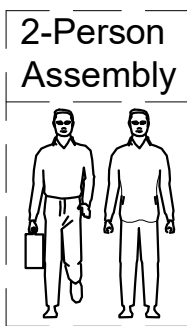
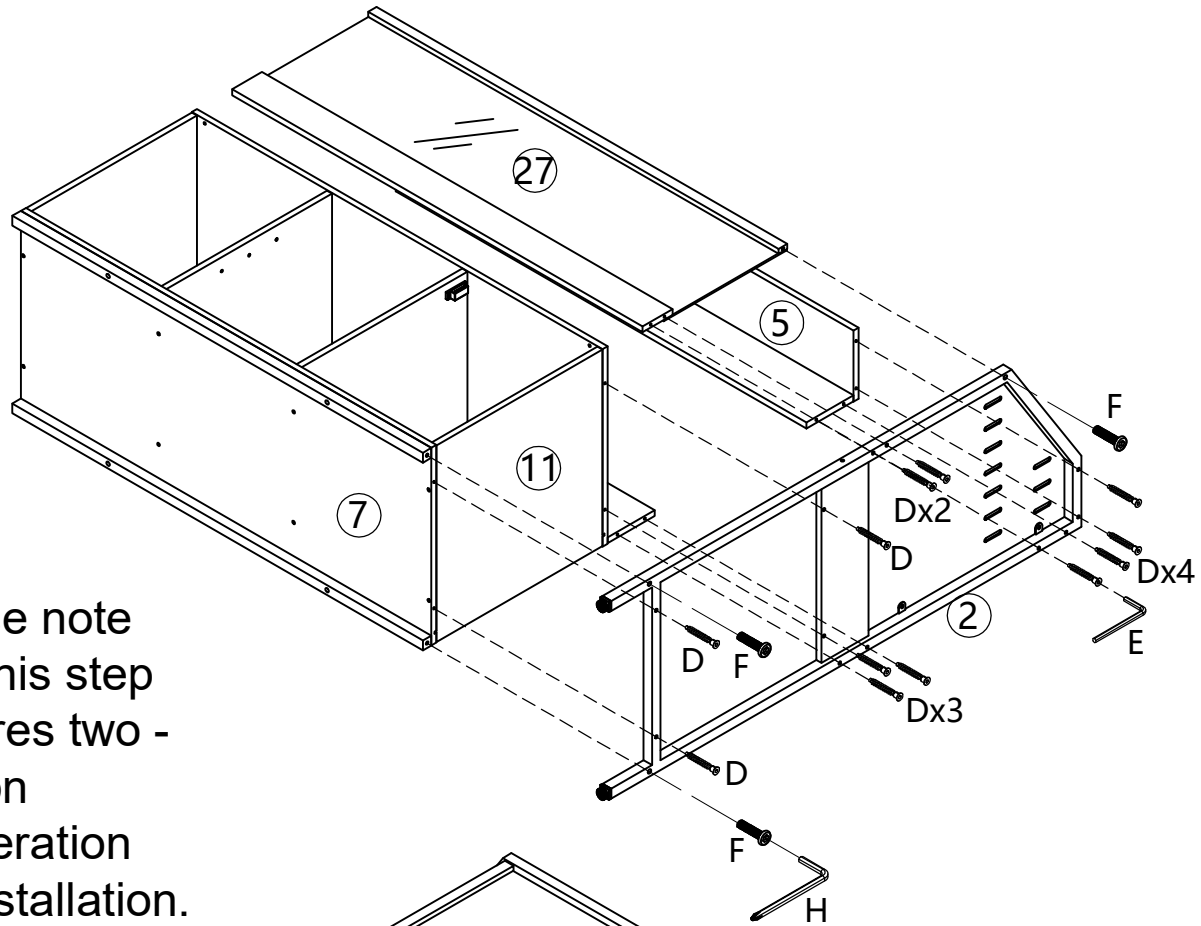
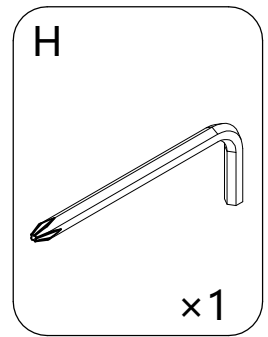
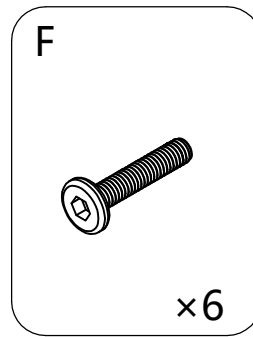
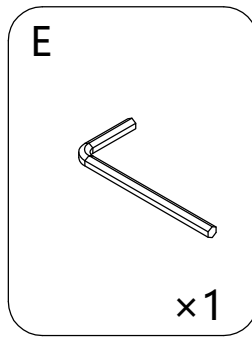
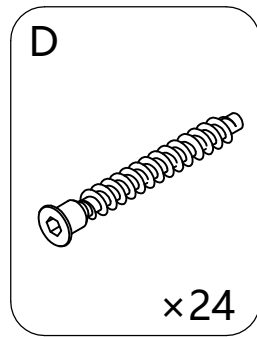
5.



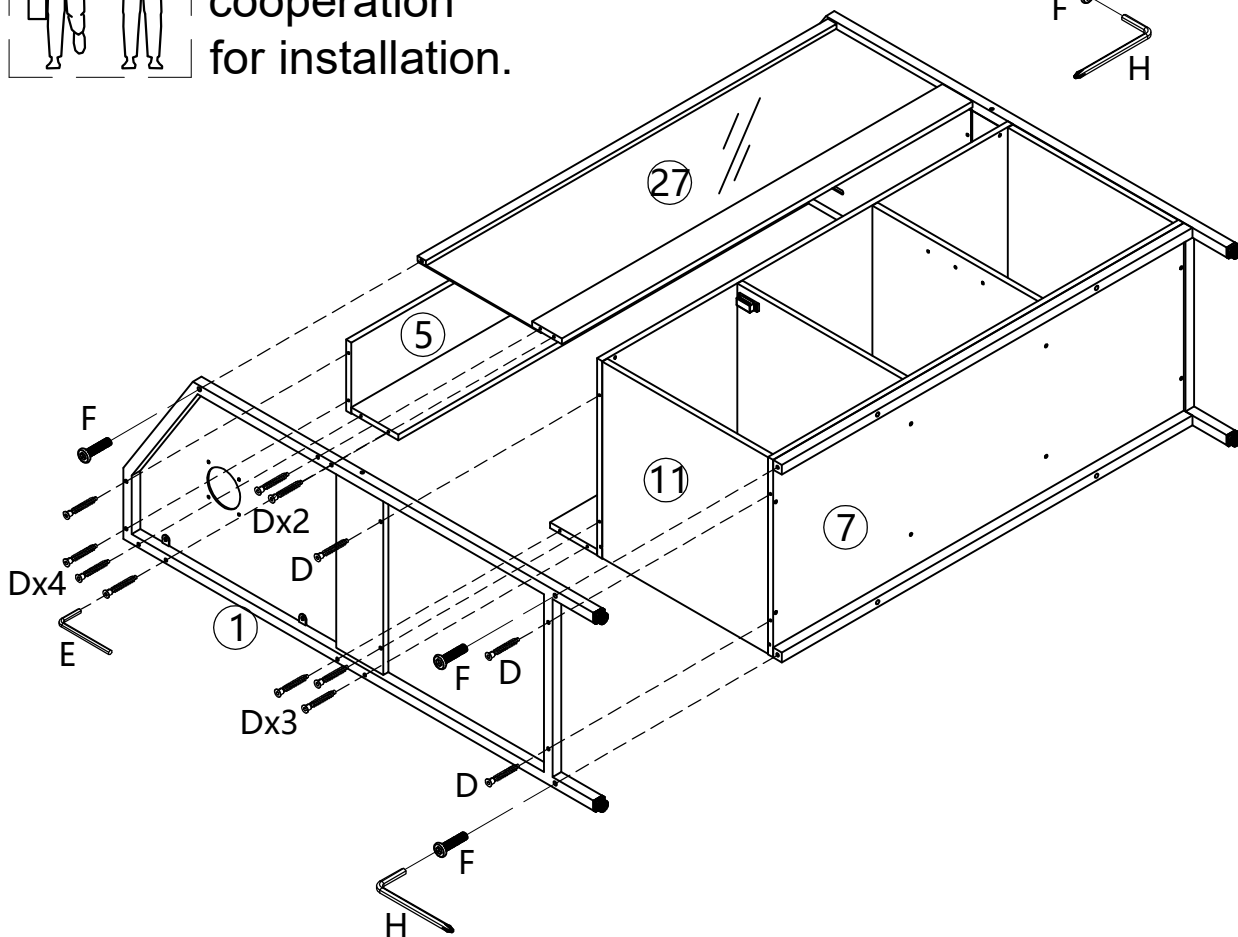
6.



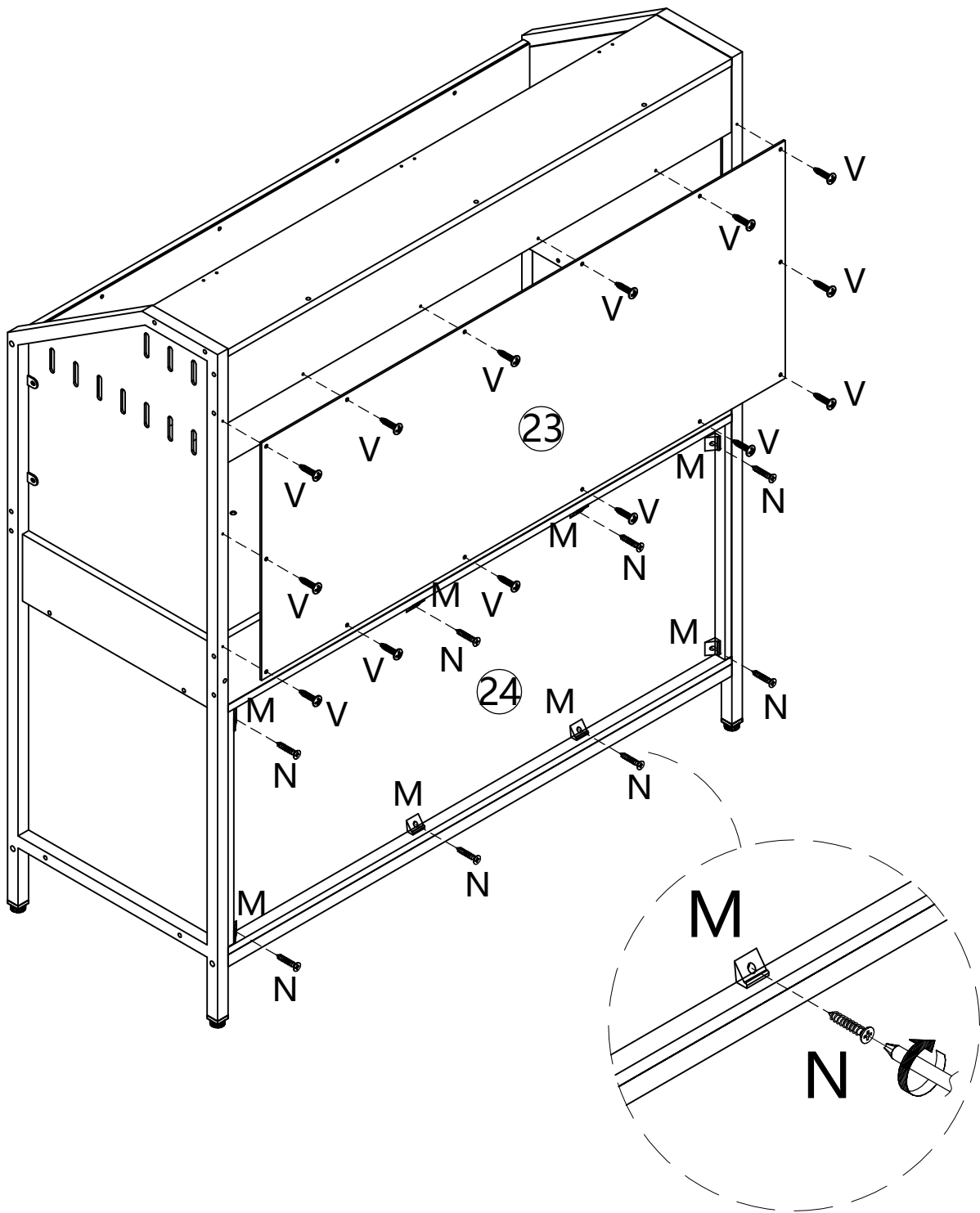
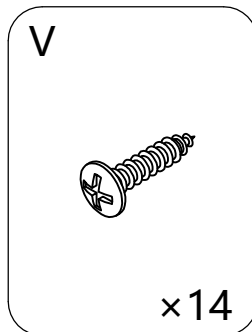
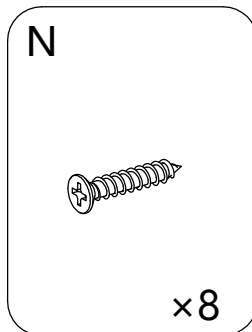
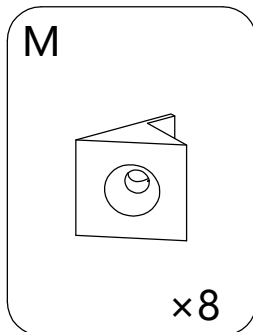
8.



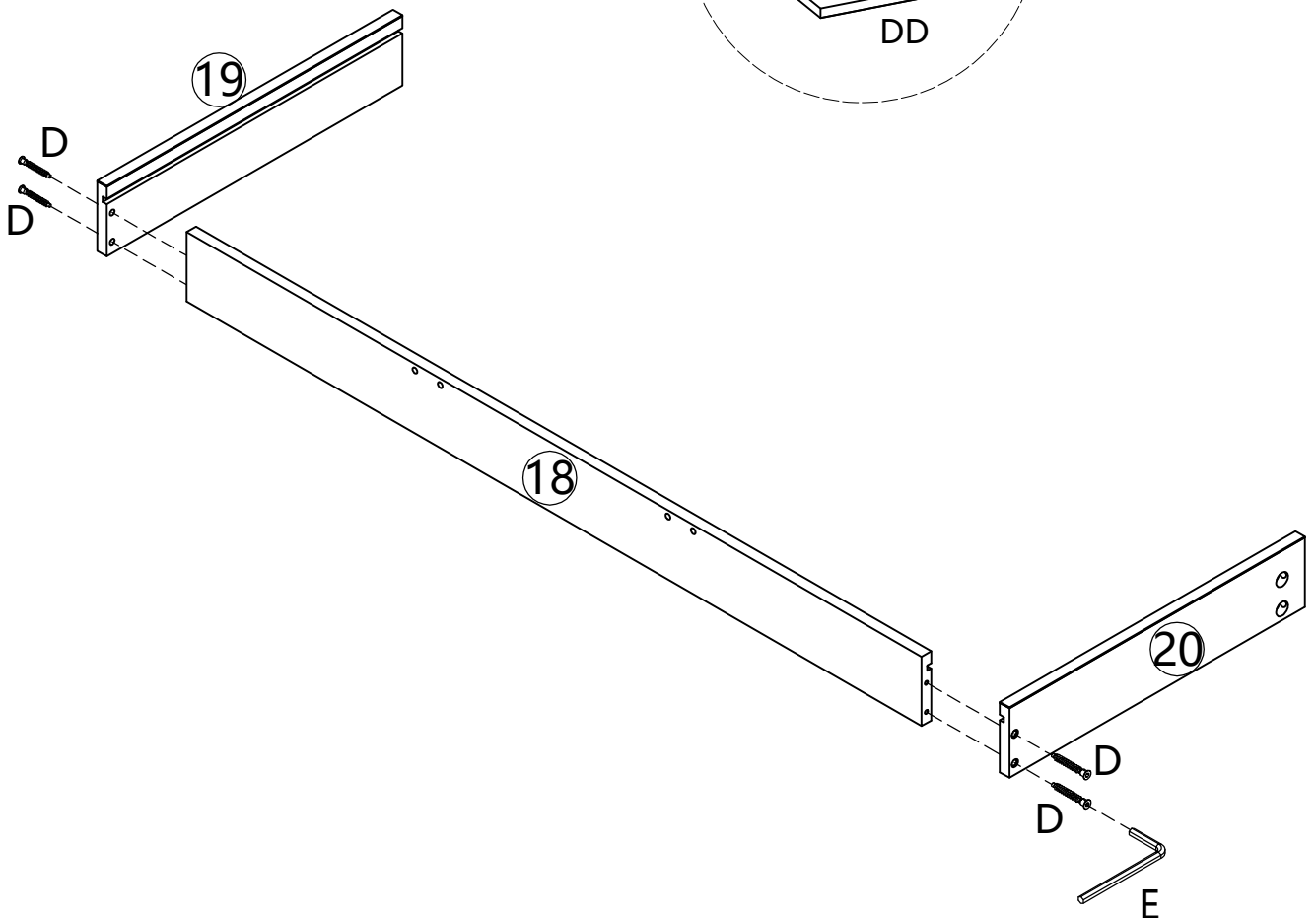
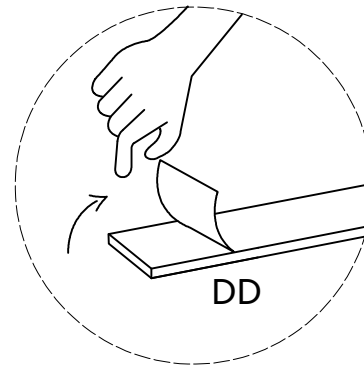
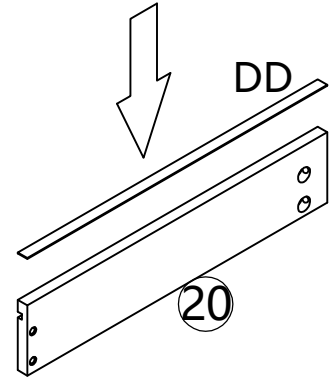
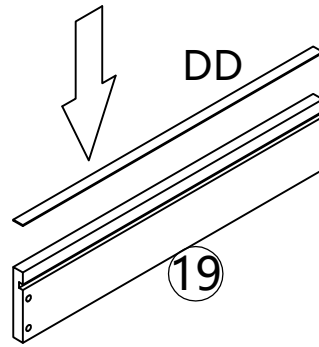
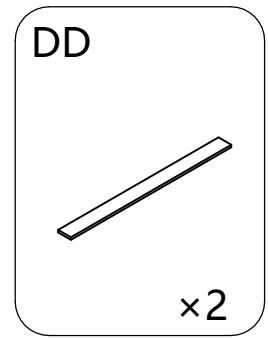
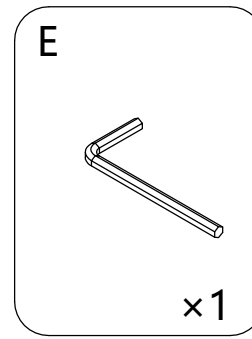
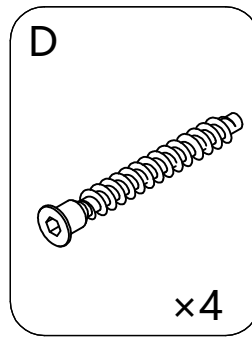
Please note that this step requires two - person cooperation for installation.



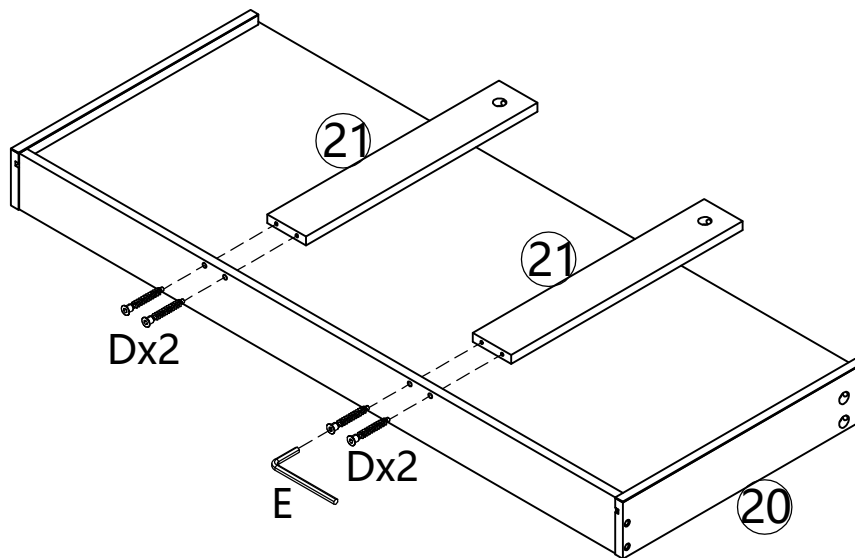
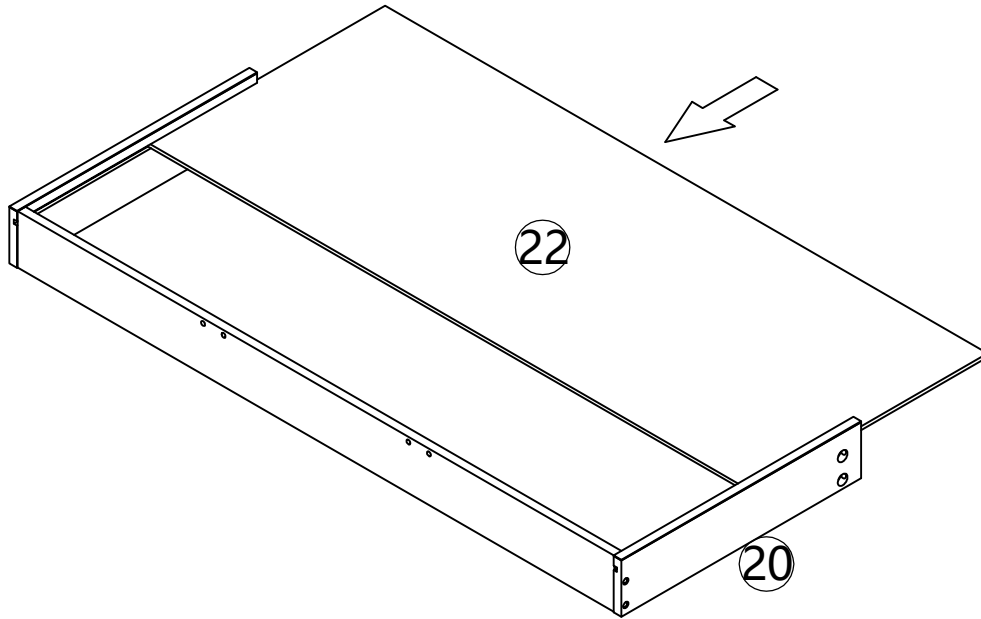
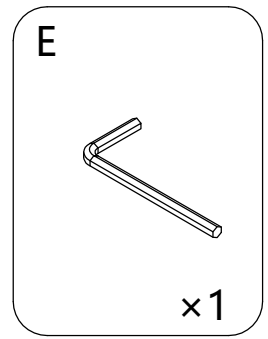
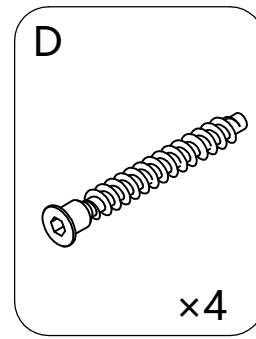
9.



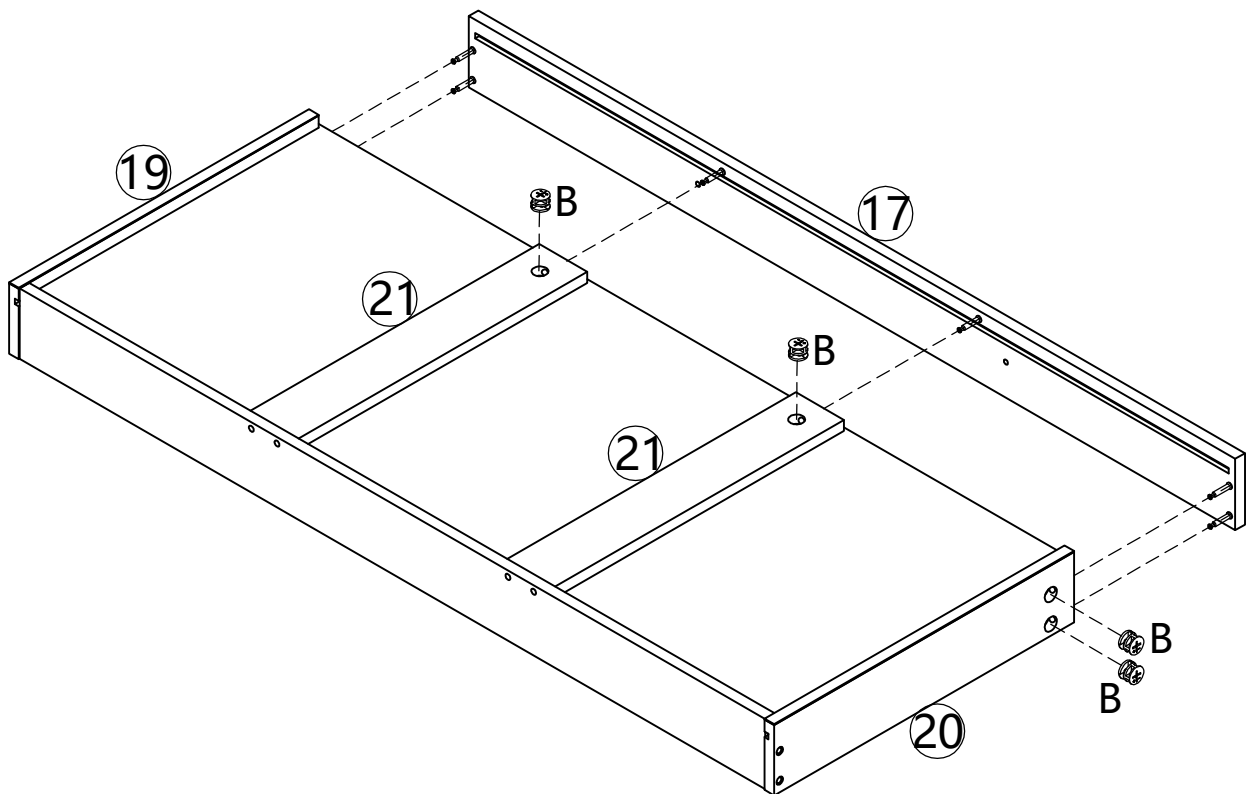
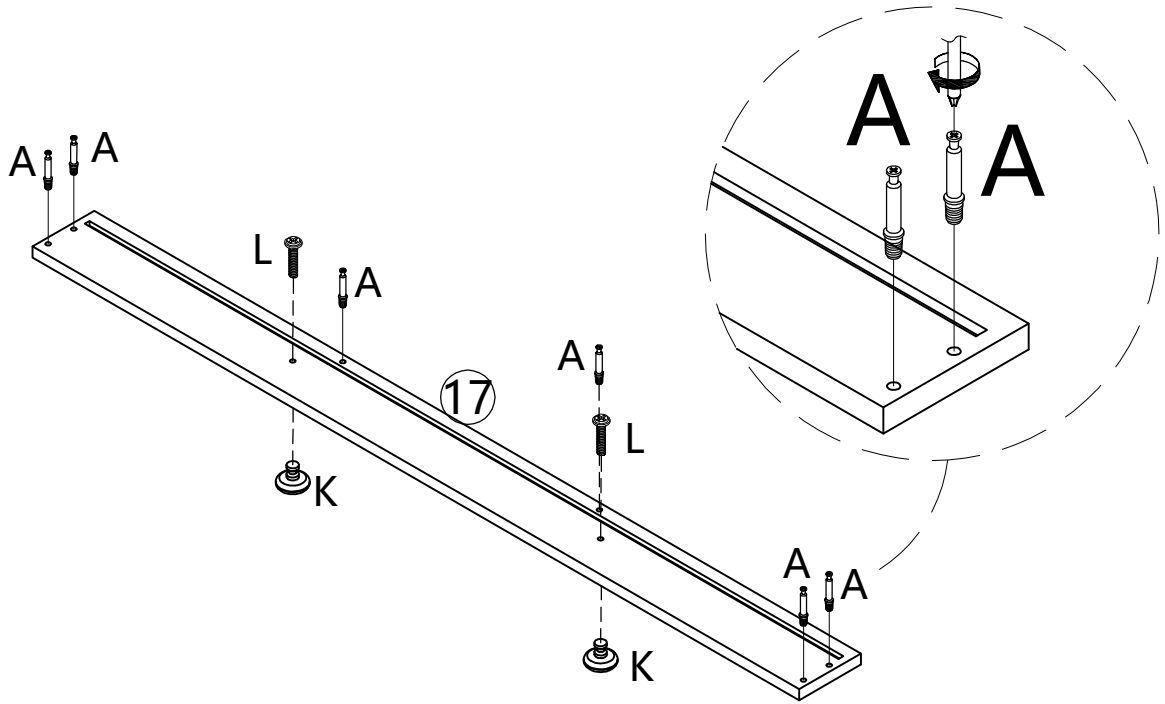
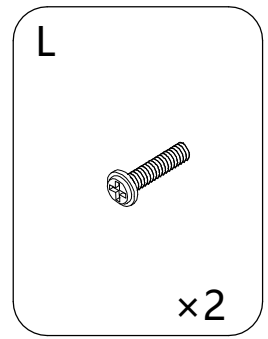
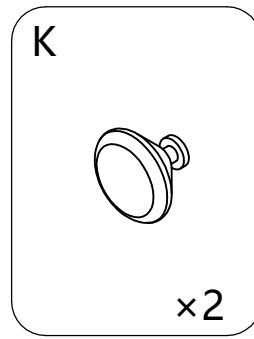
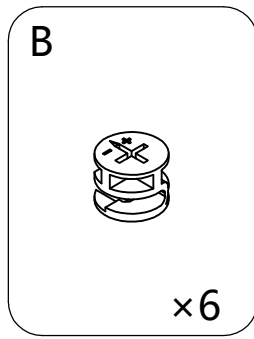
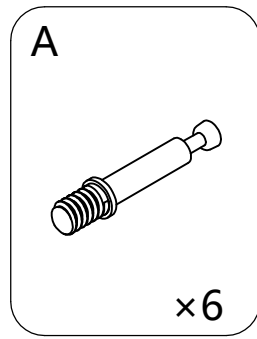
10.



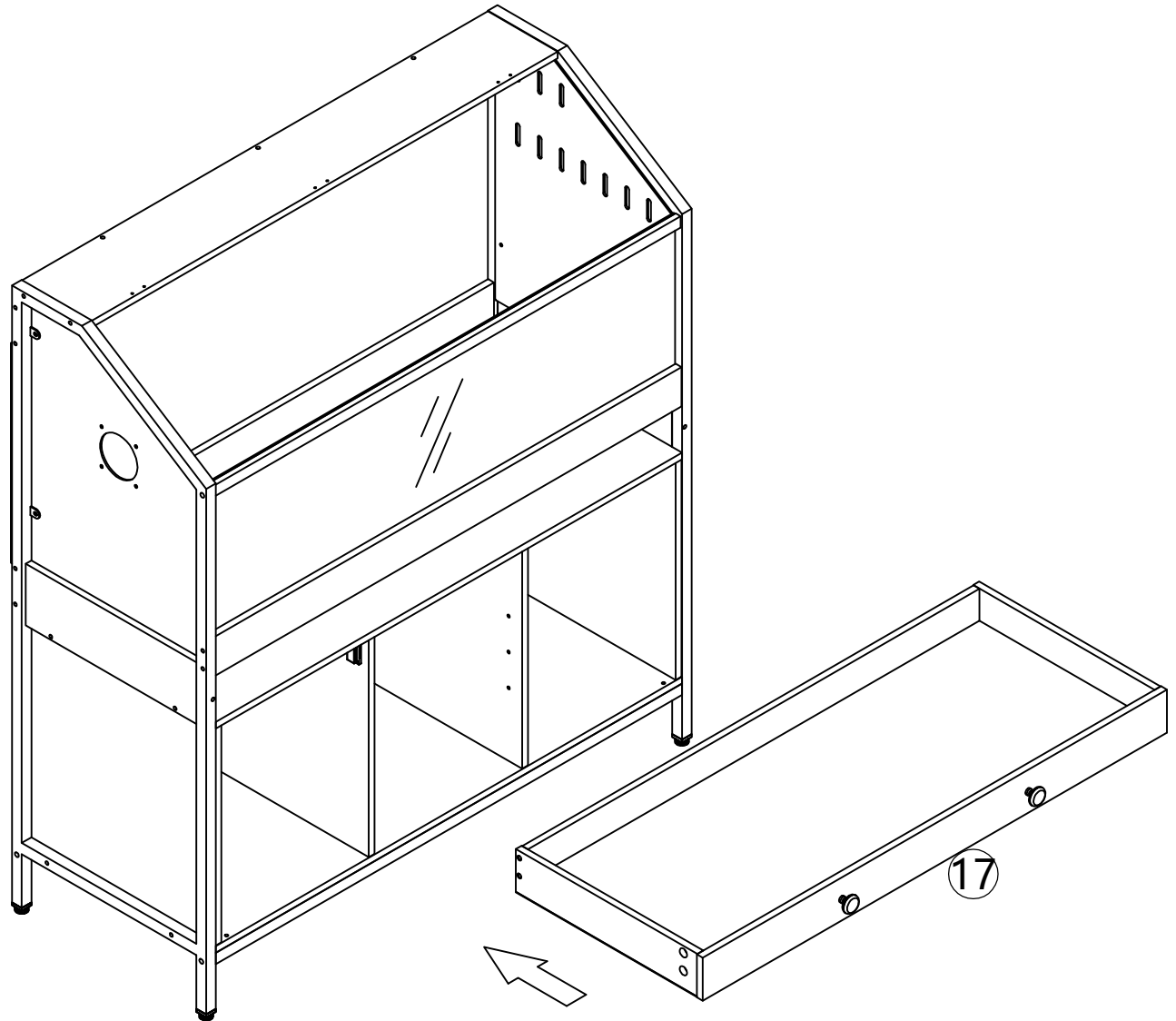
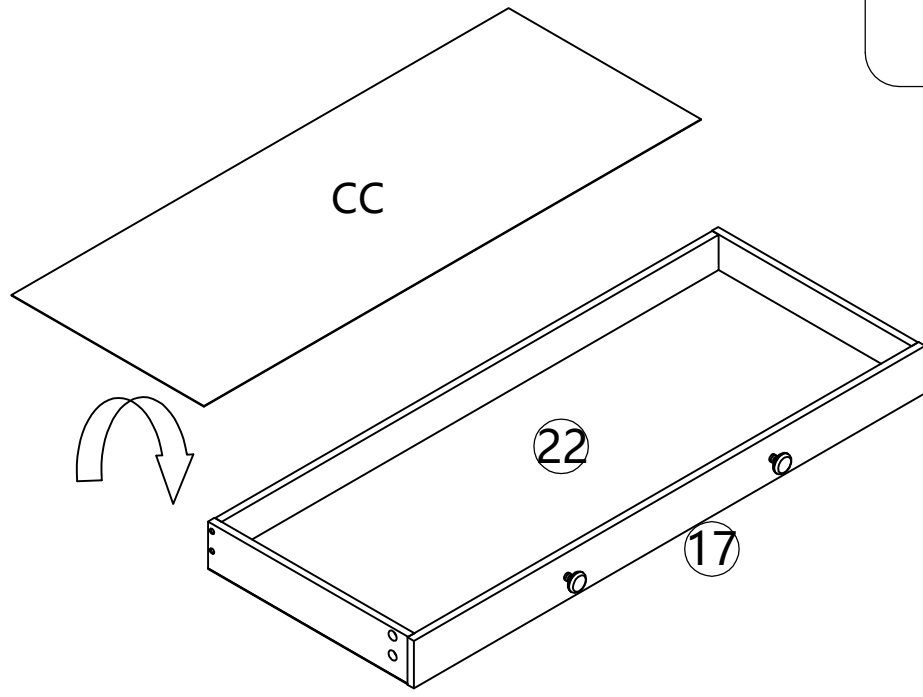
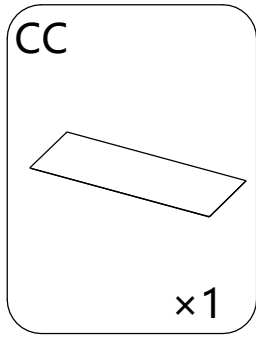
11.



12.

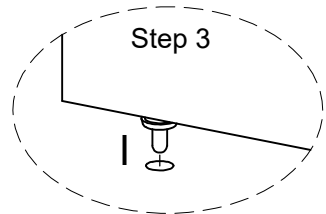
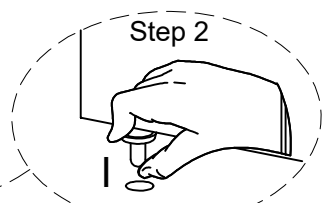
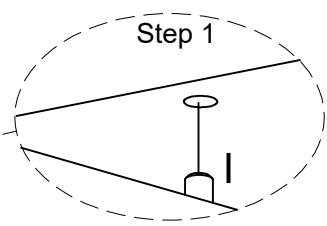
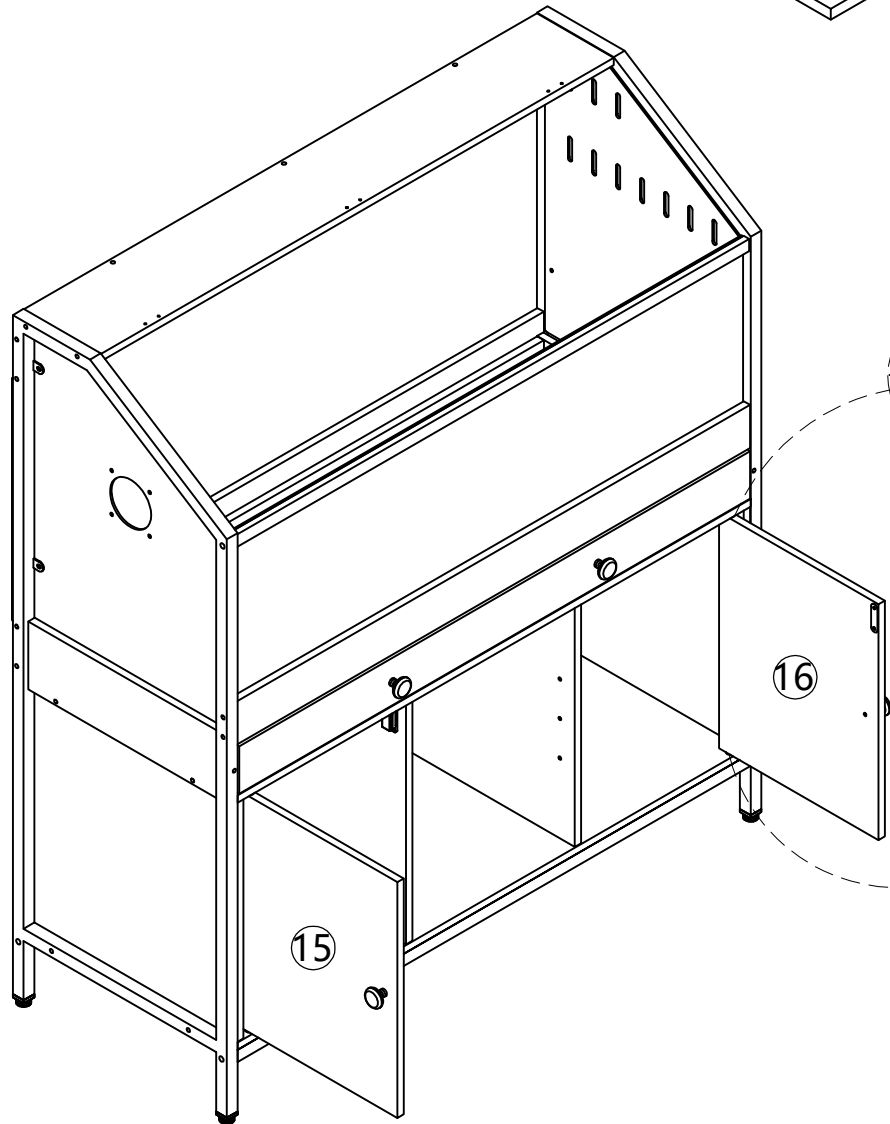
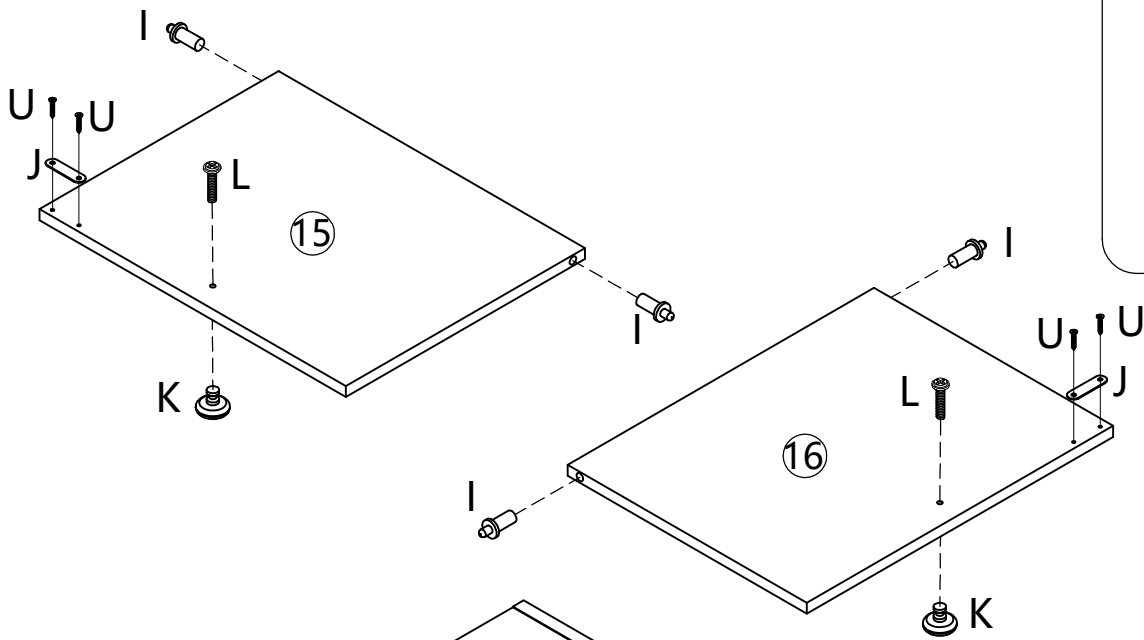
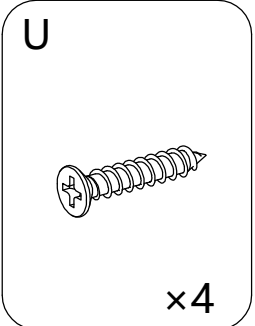
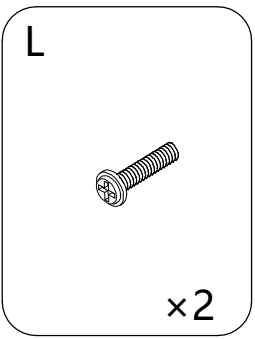
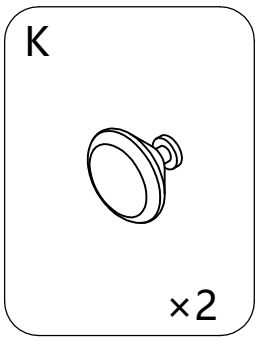
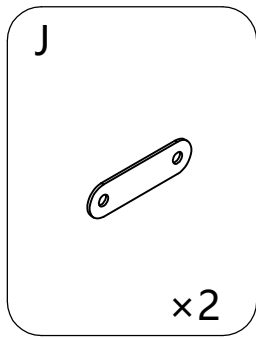
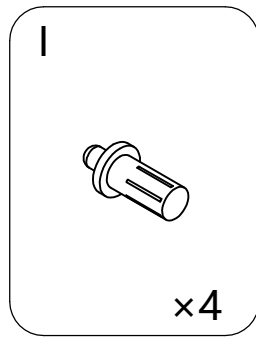


13.

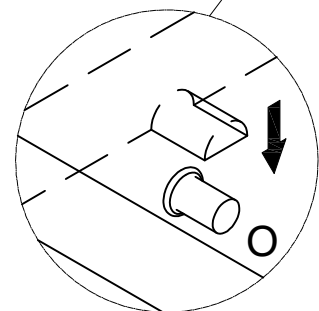
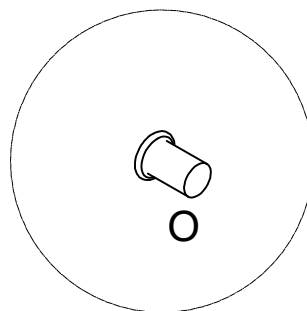
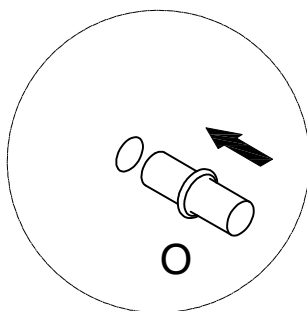
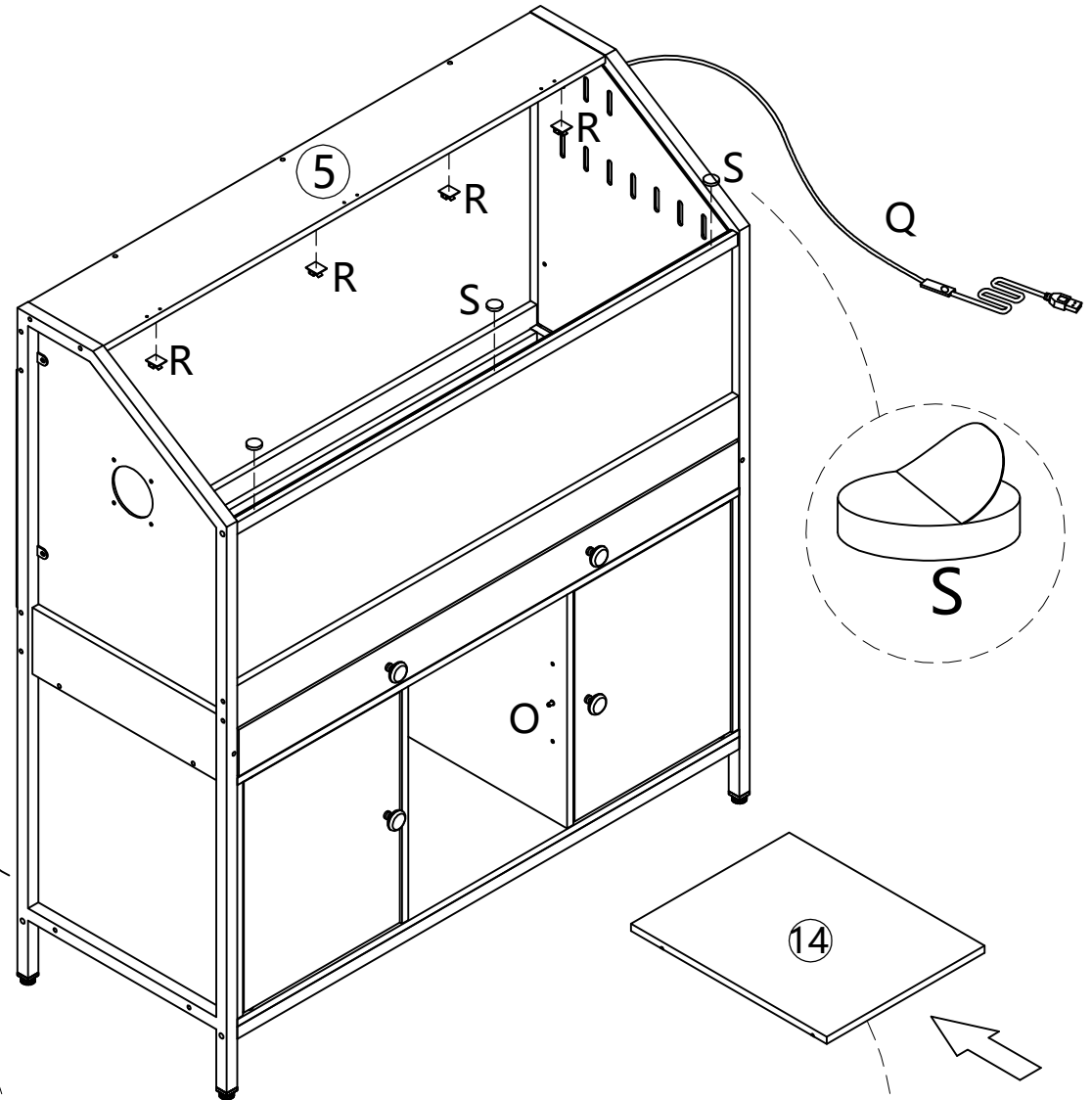
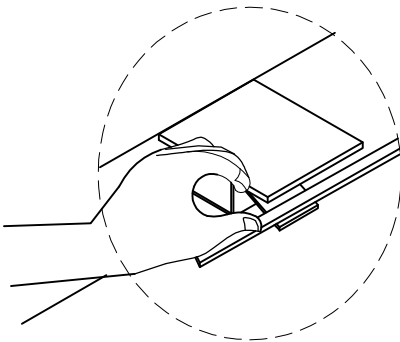
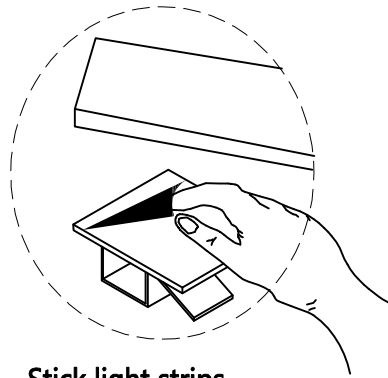
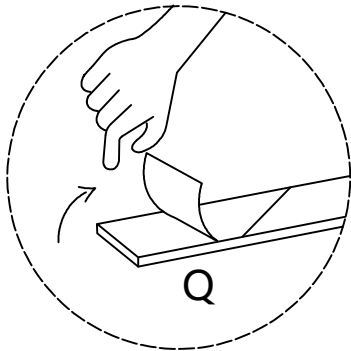
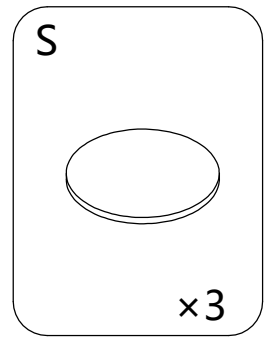
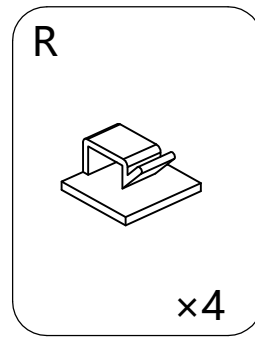
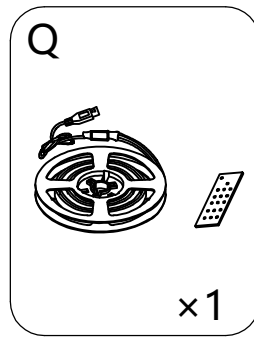
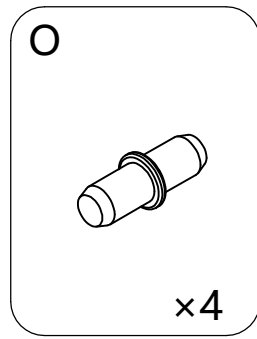


19

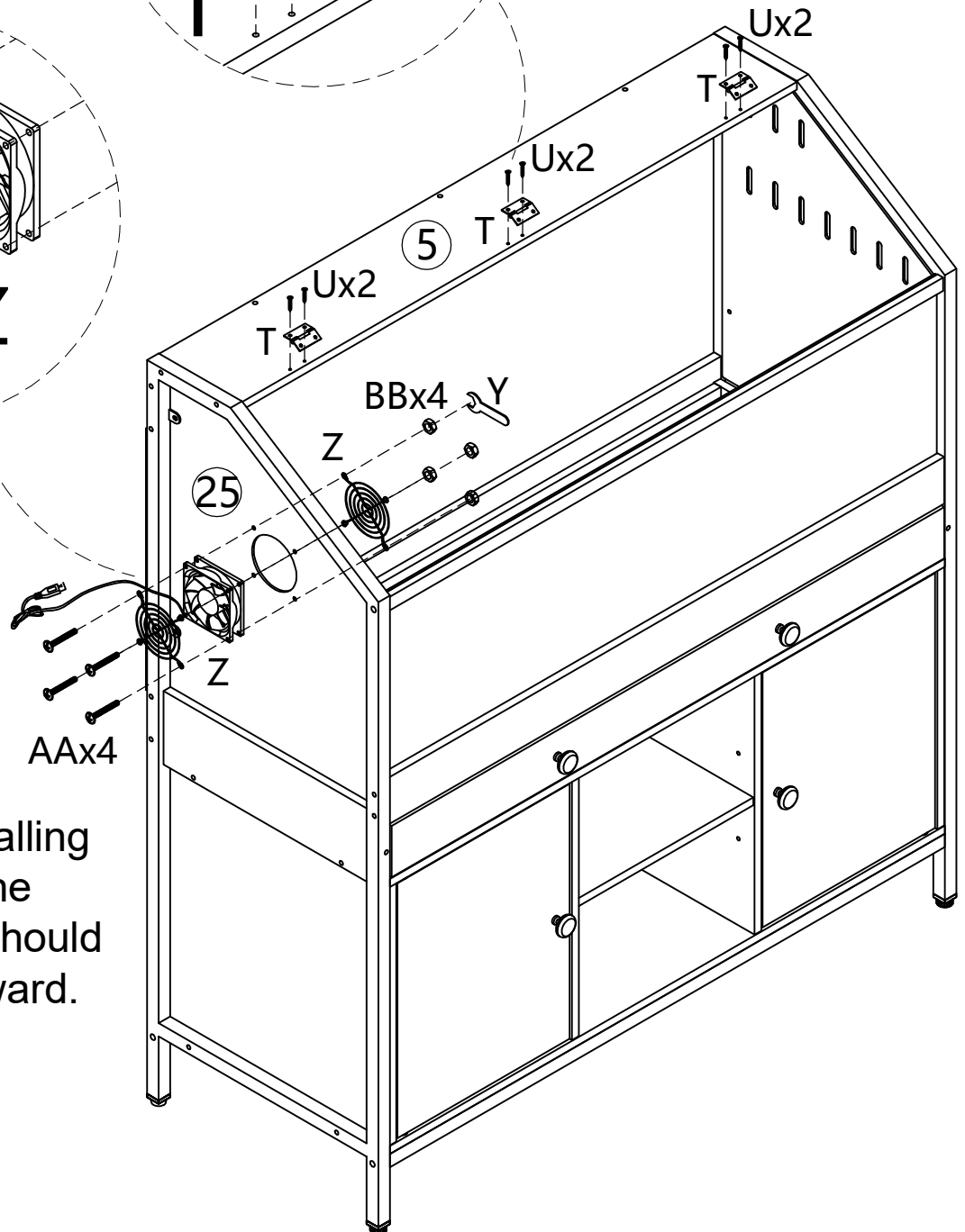
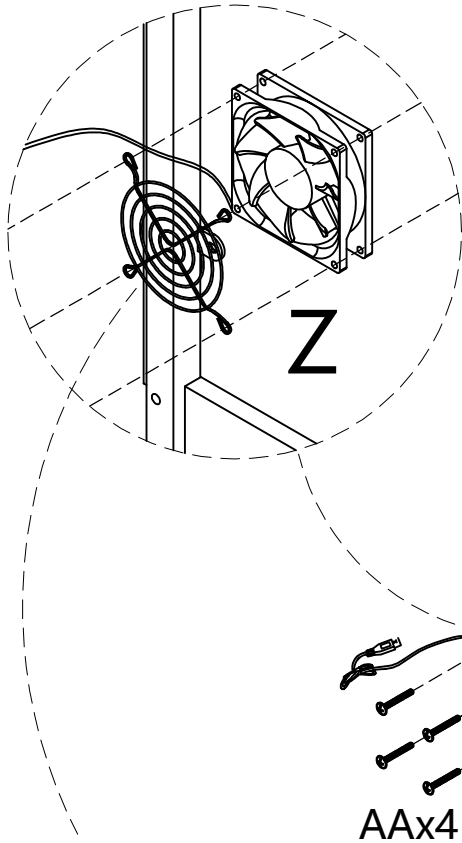
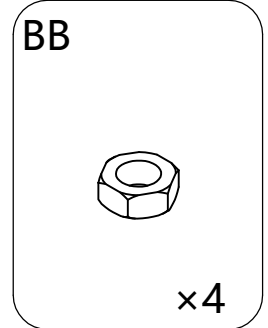
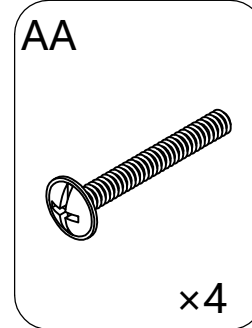
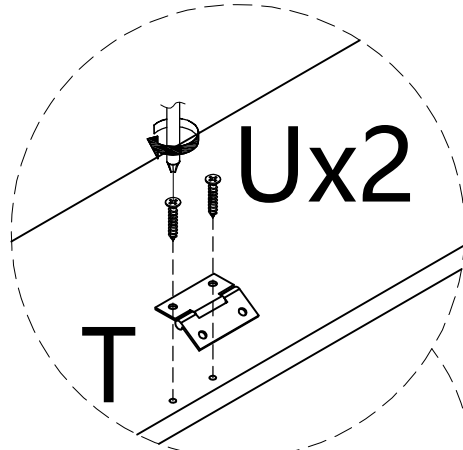
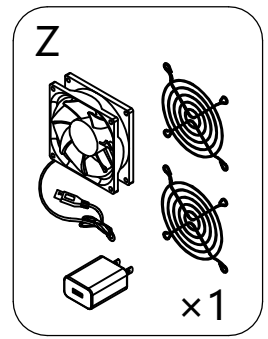
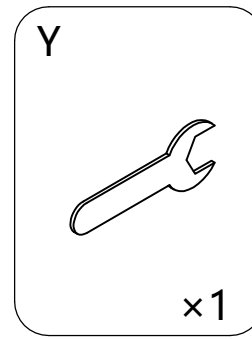
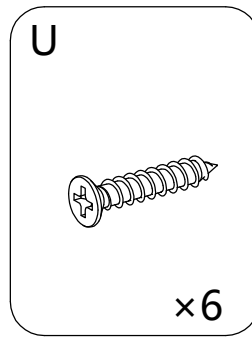
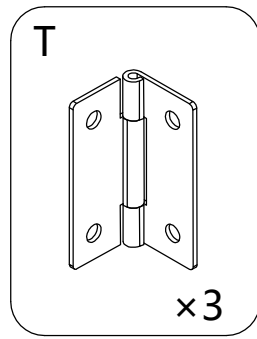
14.



15.

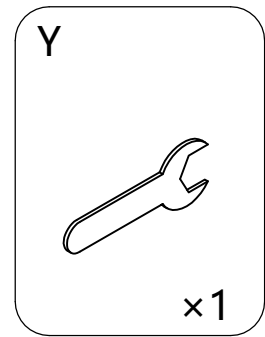
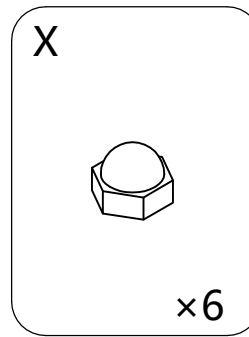
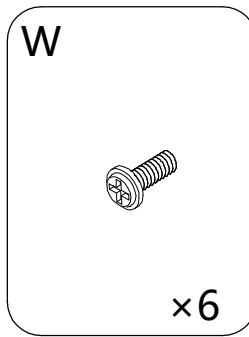


16.

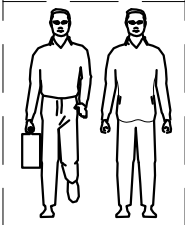


Note: When installing the iron mesh, the protruding part should be installed outward.

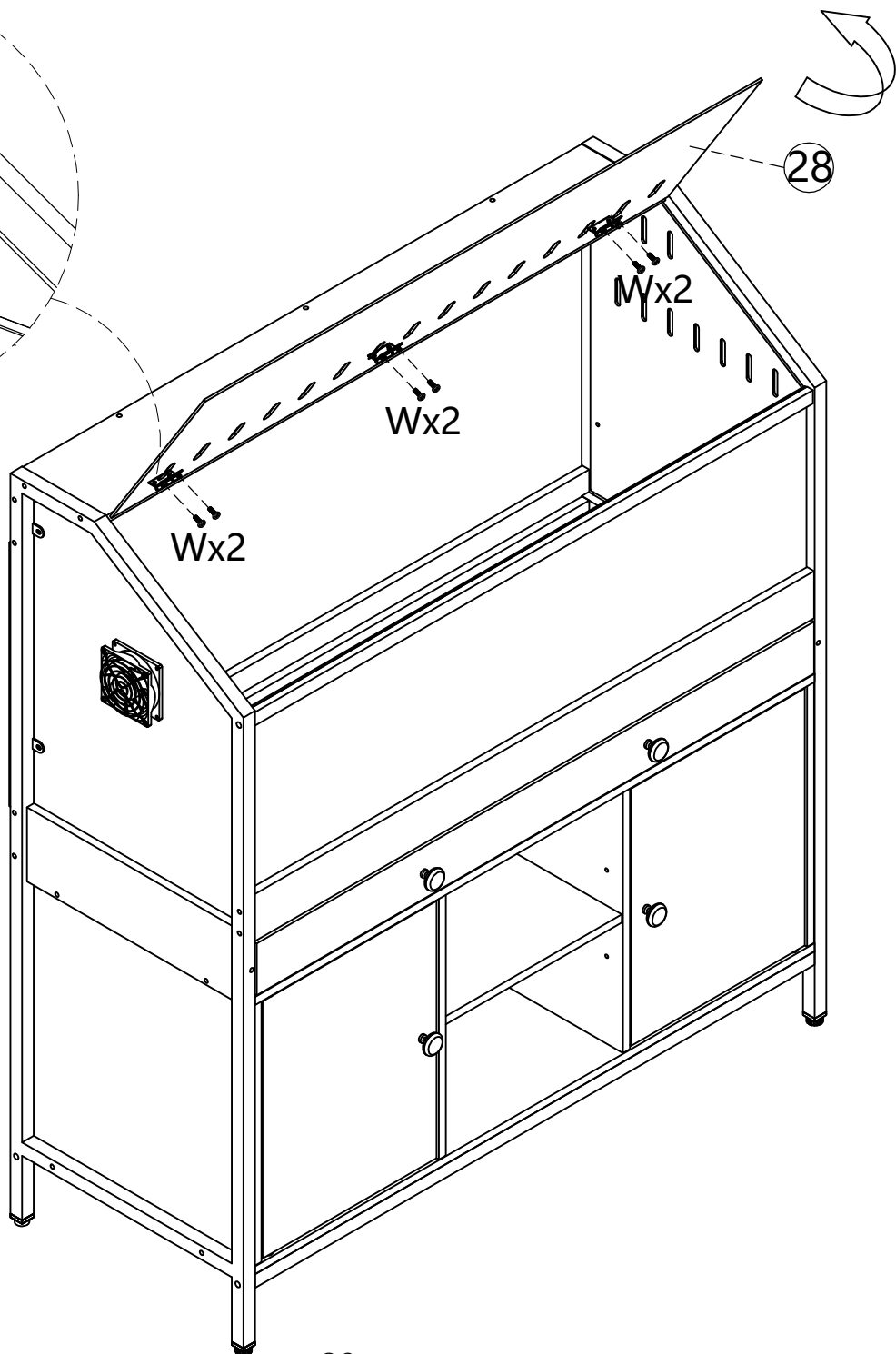
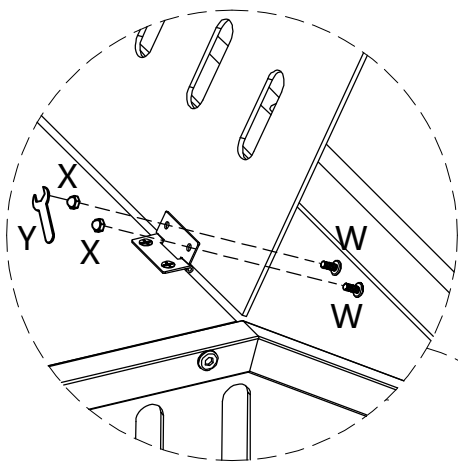
17.



2-Person
Assembly



Please note that this step requires two - person cooperation for installation.



18.

