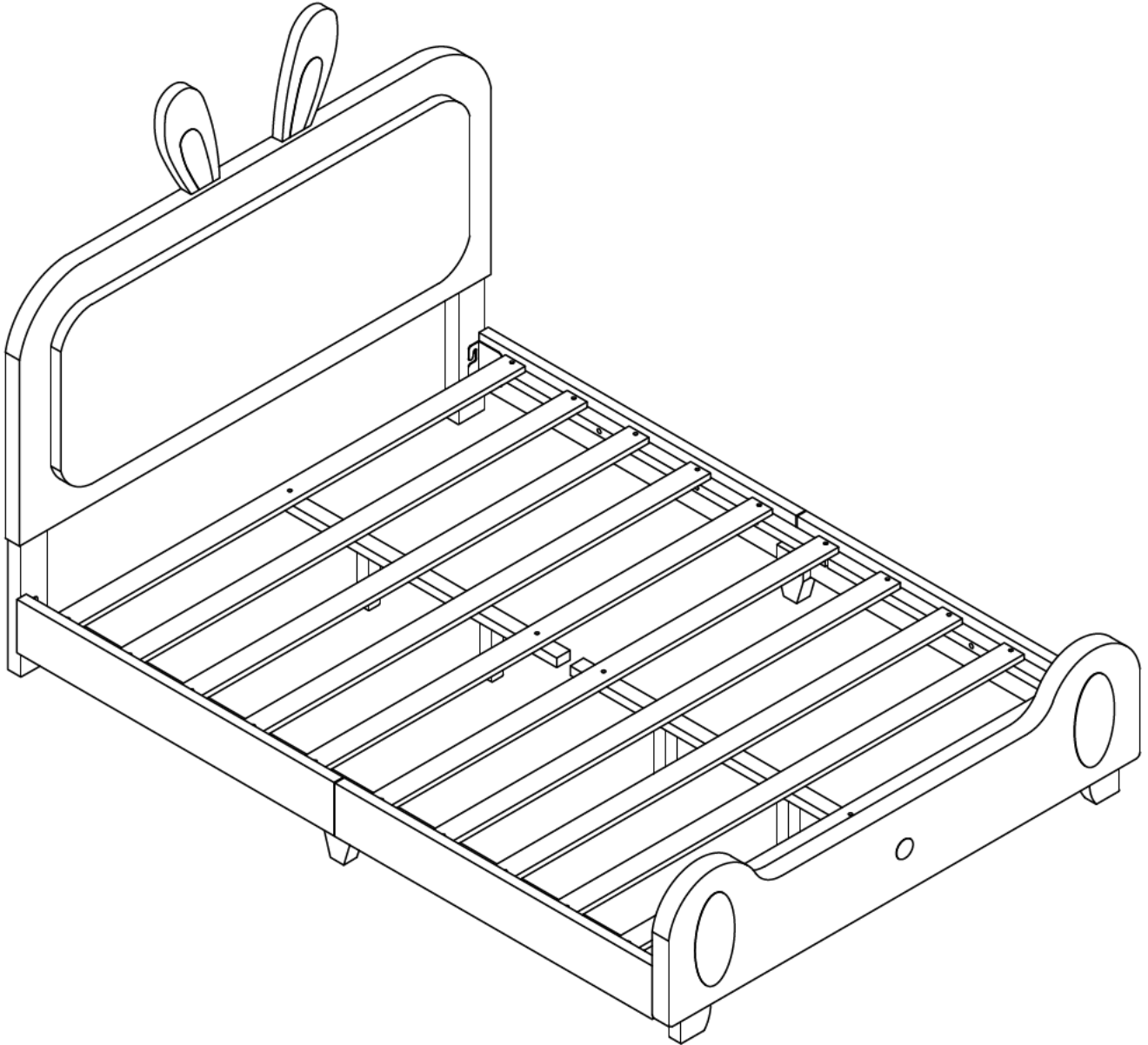


# ASSEMBLY INSTRUCTIONS



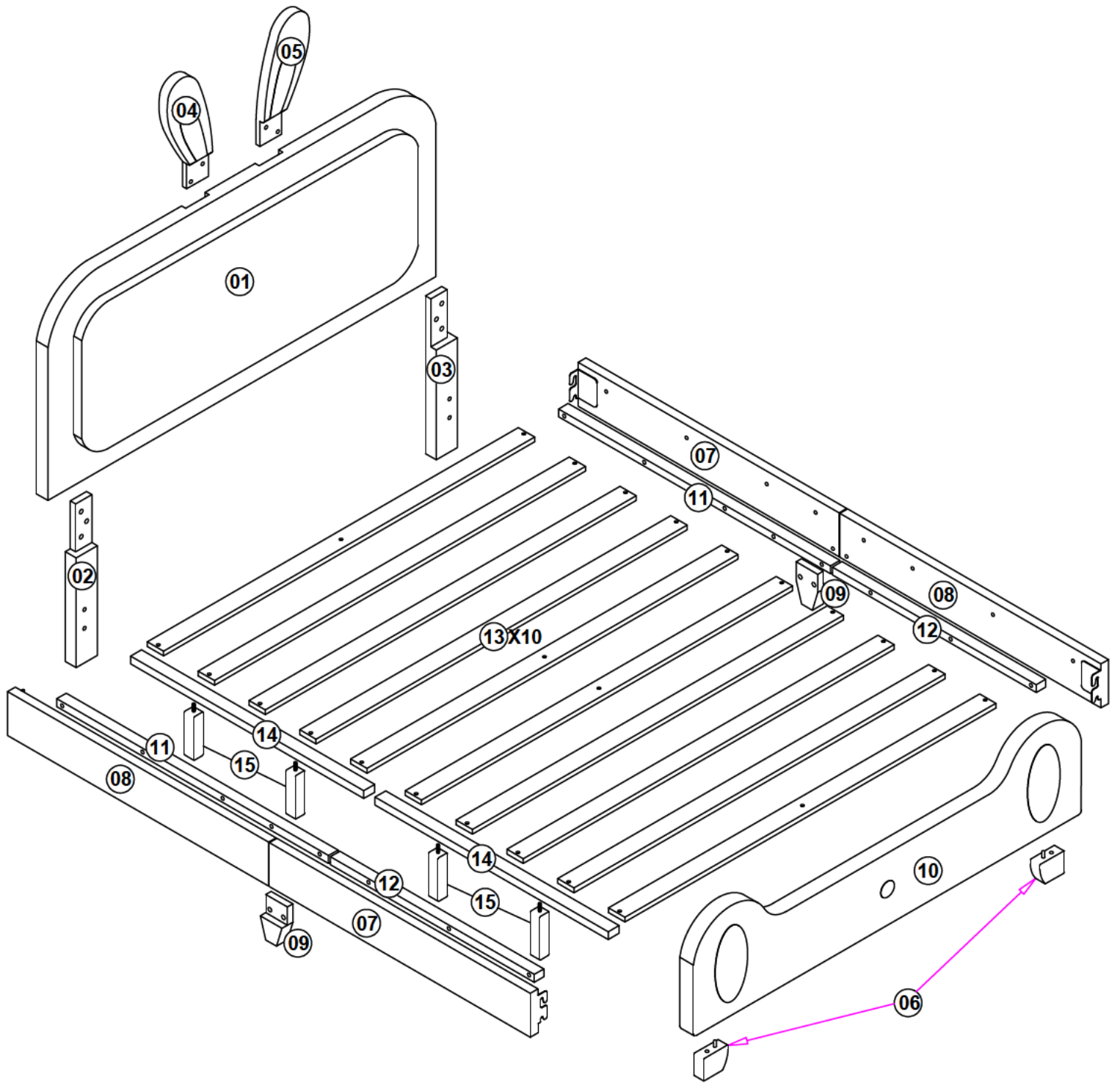
## IMPORTANT NOTE

**\*\*PLACE ALL PARTS ON A CLEAN AND SMOOTH SURFACE SUCH AS A RUG OR CARPET TO AVOID THE PARTS FROM BEING SCRATCHED**

**\*\* BEFORE YOU BEGIN , KINDY FOLLOW THE ASSEMBLY INSTRUCTIONS STEP BY STEP**

**\*\*DO NOT TIGHTEN ALL SCREWS AND BOLTS UNTIL THE BED IS FULLY SET-UP**

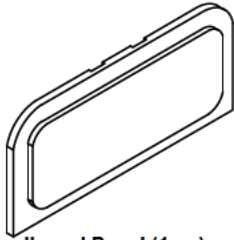
# ASSEMBLY INSTRUCTIONS



# ASSEMBLY INSTRUCTION

## PART LIST BOX 1:

1



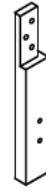
Headboard Panel (1 pc)

2



Left Headboard leg (1 pc)

3



Right Headboard Leg (1 pc)

4



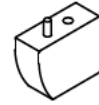
Left Headboard Ear (1 pc)

5



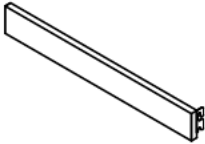
Right Headboard Ear (1 pc)

6



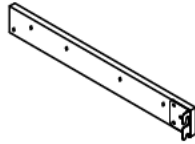
Leg (4 pcs)

7



Left Side Rail (2 pcs)

8



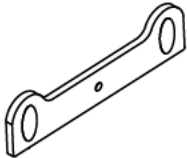
Right Side Rail (2 pcs)

9



Rail support legs (2 pcs)

10



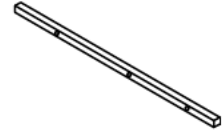
Footboard Panel (1 pc)

11



Long Support Bar (2 pcs)

12



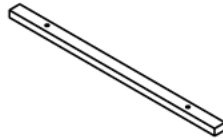
Short Support Bar (2 pcs)

13



Slat Roll (10 pcs)

14



Center Rail (2 pcs)

15



Support leg (4 pcs)

# ASSEMBLY INSTRUCTIONS

## HARDWARE LIST IN

A



**Short Bolt (8 pcs)**  
(Ø 5/16 "X25mm)

B



**Long Bolt (10 pcs)**  
(Ø 5/16 "X38mm)

C



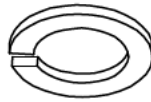
**Long Bolt (4 pcs)**  
(Ø 5/16 "X32mm)

D



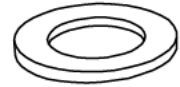
**Allen Wrench (1 pc)**  
(M4x75mm x32mm)

E



**Spring Washer (40 pcs)**  
(Ø 5/16 "-RBW)

F



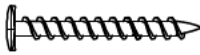
**Flat Washer (40 pcs)**  
(Ø 5/16 "-RBW)

G



**Long Bolt (18 pcs)**  
(Ø 5/16 "X50mm)

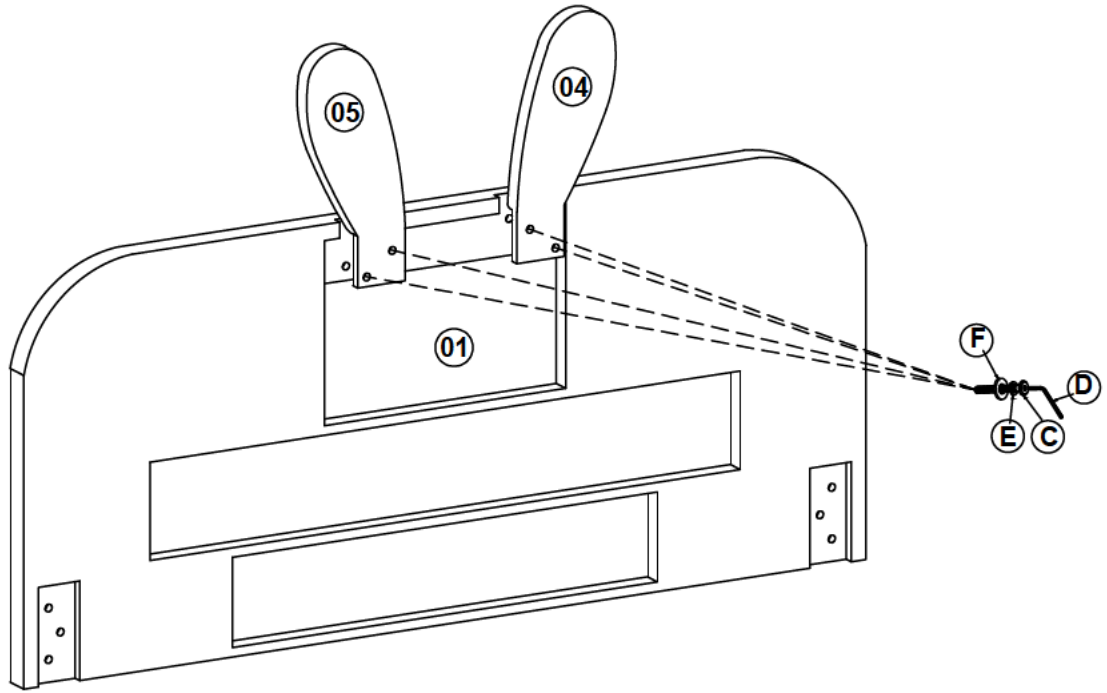
H







**Flat Head Screw (24 pcs)**  
(m4x30mm-RBW)

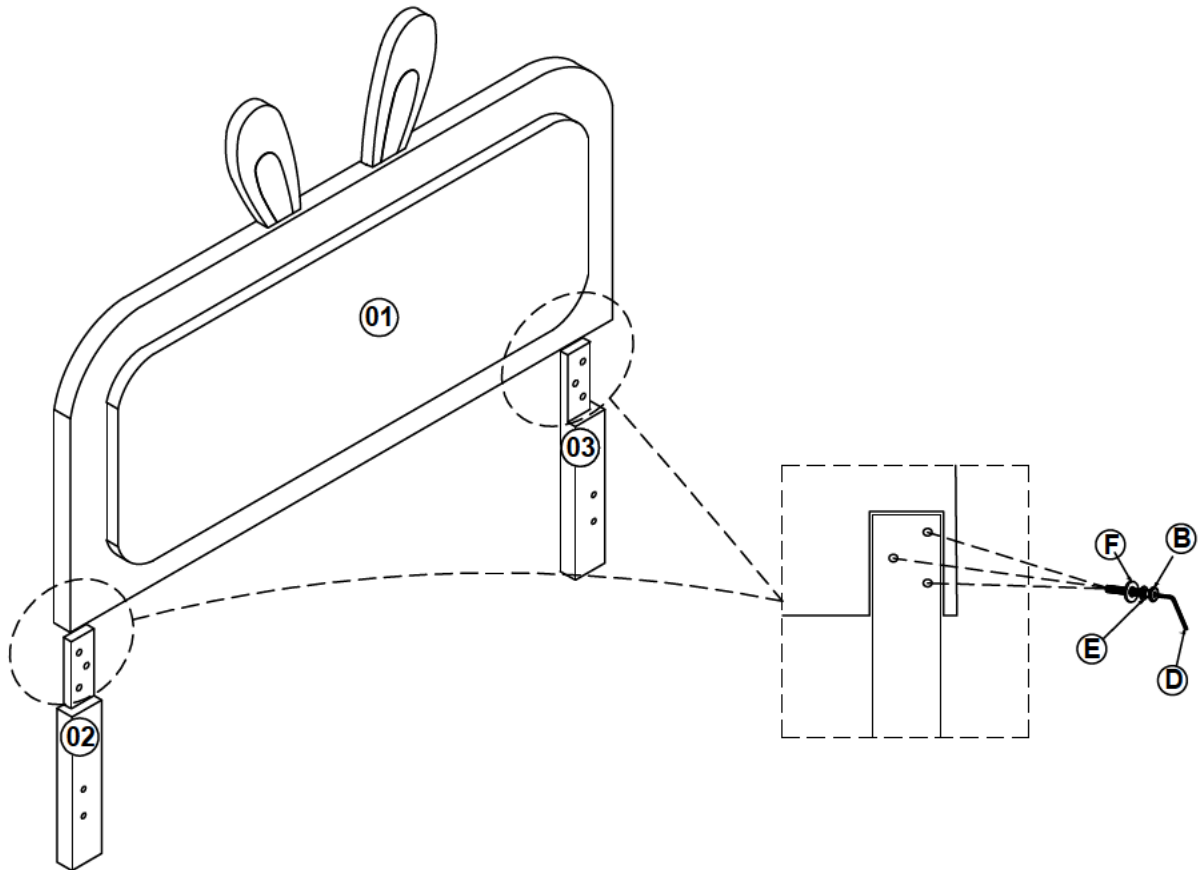
# ASSEMBLY INSTRUCTIONS





## STEP 1



<b>C</b>	<b>Bolt</b> (Ø 5/16 "X32mm)		<b>4pcs</b>	<b>E</b>	<b>Spring Washer</b> (Ø 5/16 "-RBW)		<b>4pcs</b>
<b>D</b>	<b>Allen Wrench</b> (M4x75mm x32mm)		<b>1pc</b>	<b>F</b>	<b>Flat Washer</b> (Ø 5/16 "-RBW)		<b>4pcs</b>

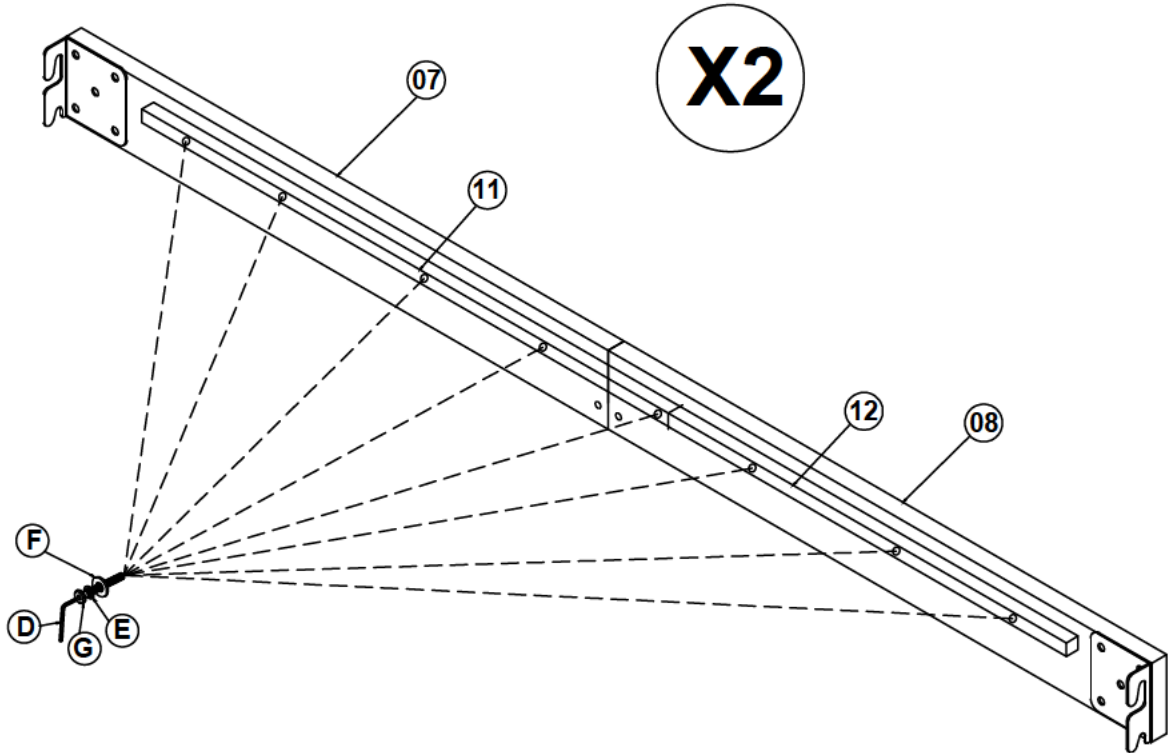
## STEP 2







<b>B</b>		(Ø 5/16 "X38mm)	<b>6pcs</b>	<b>E</b>	<b>Spring Washer</b> (Ø 5/16 "-RBW)		<b>6pcs</b>
<b>D</b>		(M4x75mm x32mm)	<b>1pc</b>	<b>F</b>	<b>Flat Washer</b> (Ø 5/16 "-RBW)		<b>6pcs</b>

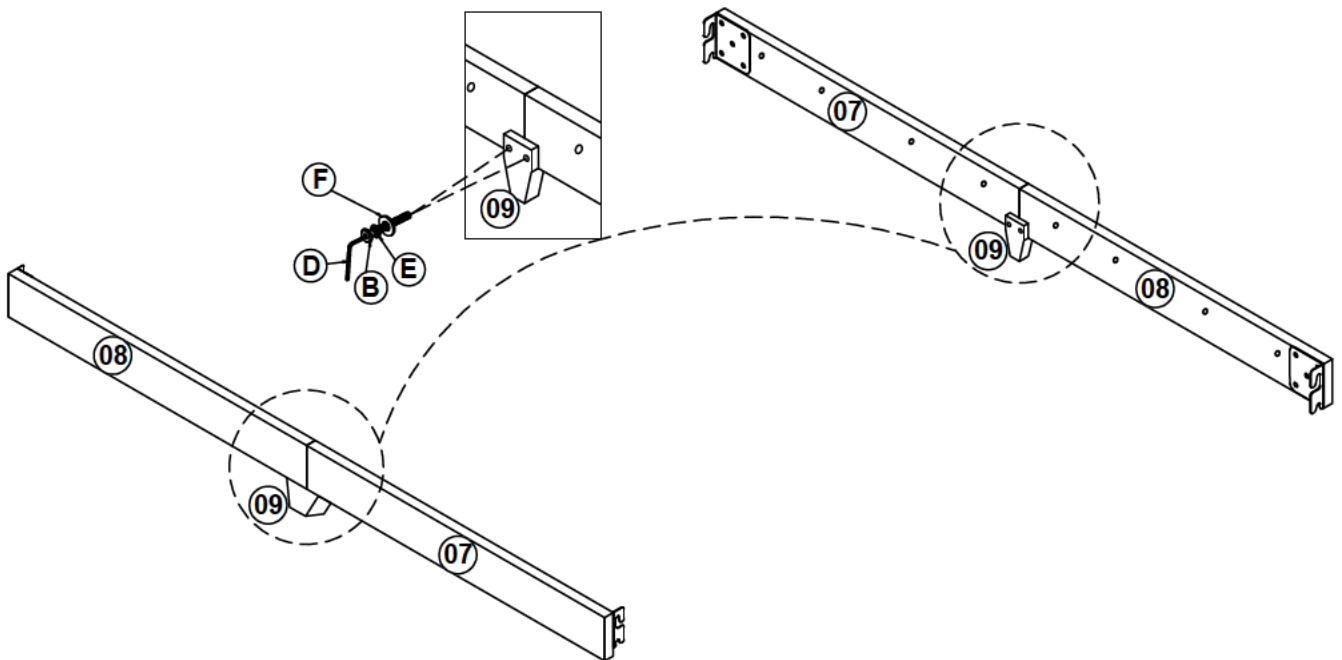
# ASSEMBLY INSTRUCTIONS





## STEP 3



G	<b>Bolt</b> (Ø 5/16 "X50mm)		16pcs	E	<b>Spring Washer</b> (Ø 5/16 "-RBW)		16pcs
D	<b>Allen Wrench</b> (M4x75mm x32mm)		1pc	F	<b>Flat Washer</b> (Ø 5/16 "-RBW)		16pcs

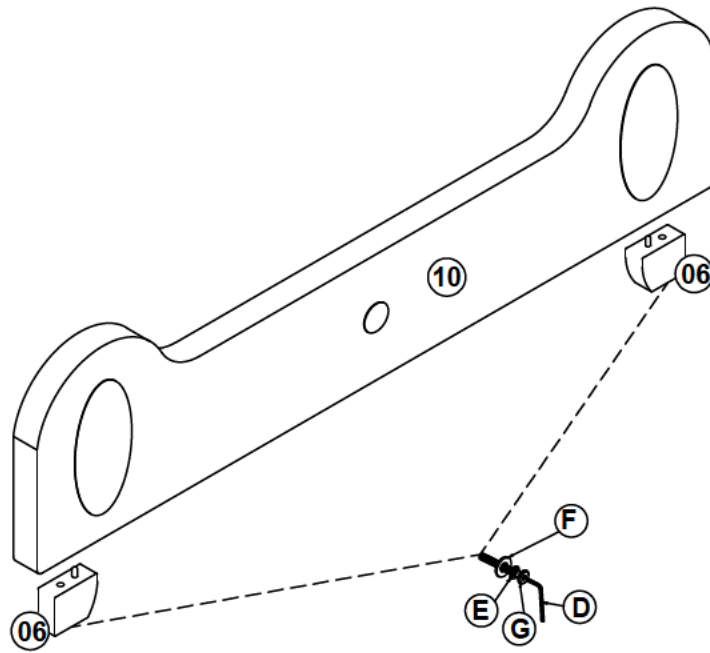
## STEP 4







B	<b>Bolt</b> (Ø 5/16 "X38mm)		4pcs	E	<b>Spring Washer</b> (Ø 5/16 "-RBW)		4pcs
D	<b>Allen Wrench</b> (M4x75mm x32mm)		1pc	F	<b>Flat Washer</b> (Ø 5/16 "-RBW)		4pcs

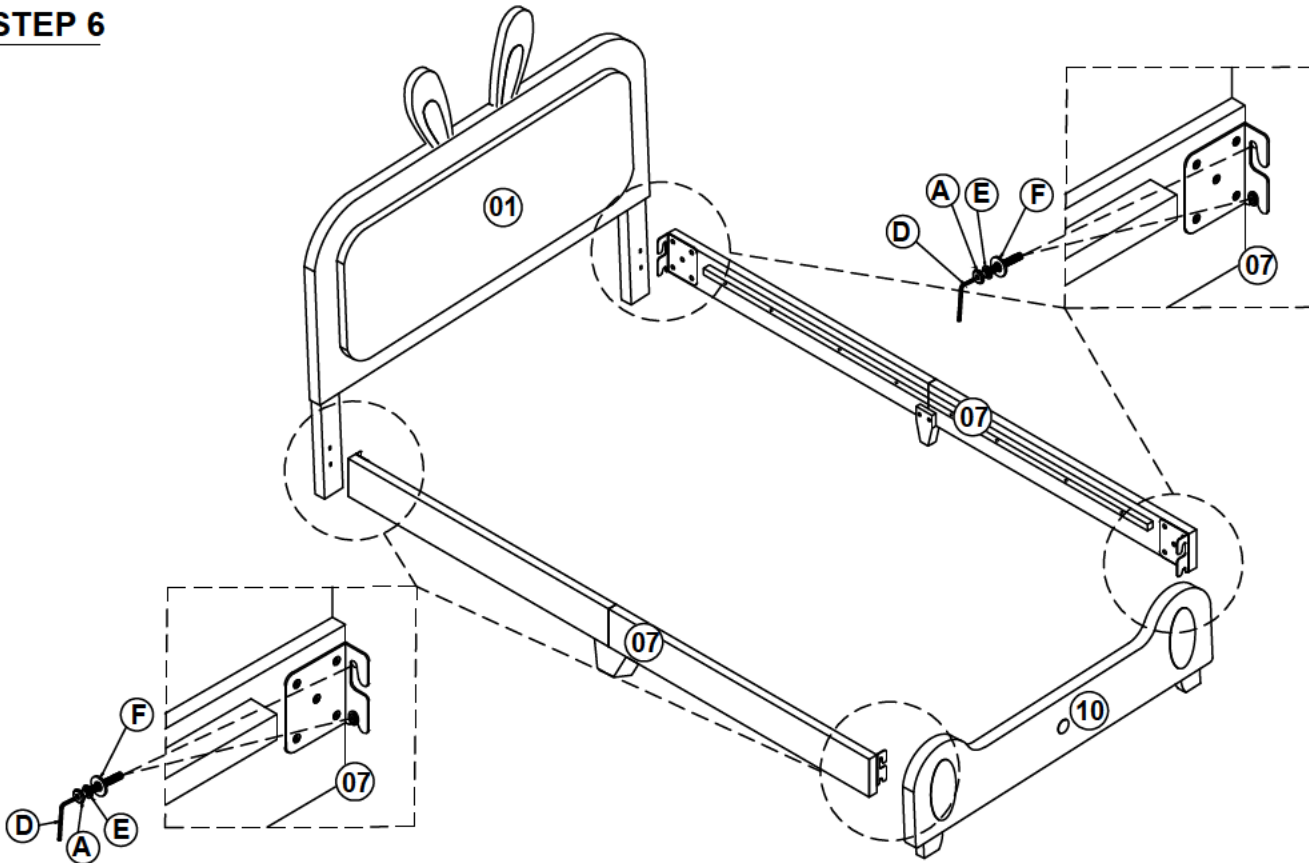
# ASSEMBLY INSTRUCTIONS





## STEP 5



<b>G</b>	<b>Bolt</b> (Ø 5/16 "X50mm)		<b>2pcs</b>	<b>E</b>	<b>Spring Washer</b> (Ø 5/16 "-RBW)		<b>2pcs</b>
<b>D</b>	<b>Allen Wrench</b> (M4x75mm x32mm)		<b>1pc</b>	<b>F</b>	<b>Flat Washer</b> (Ø 5/16 "-RBW)		<b>2pcs</b>

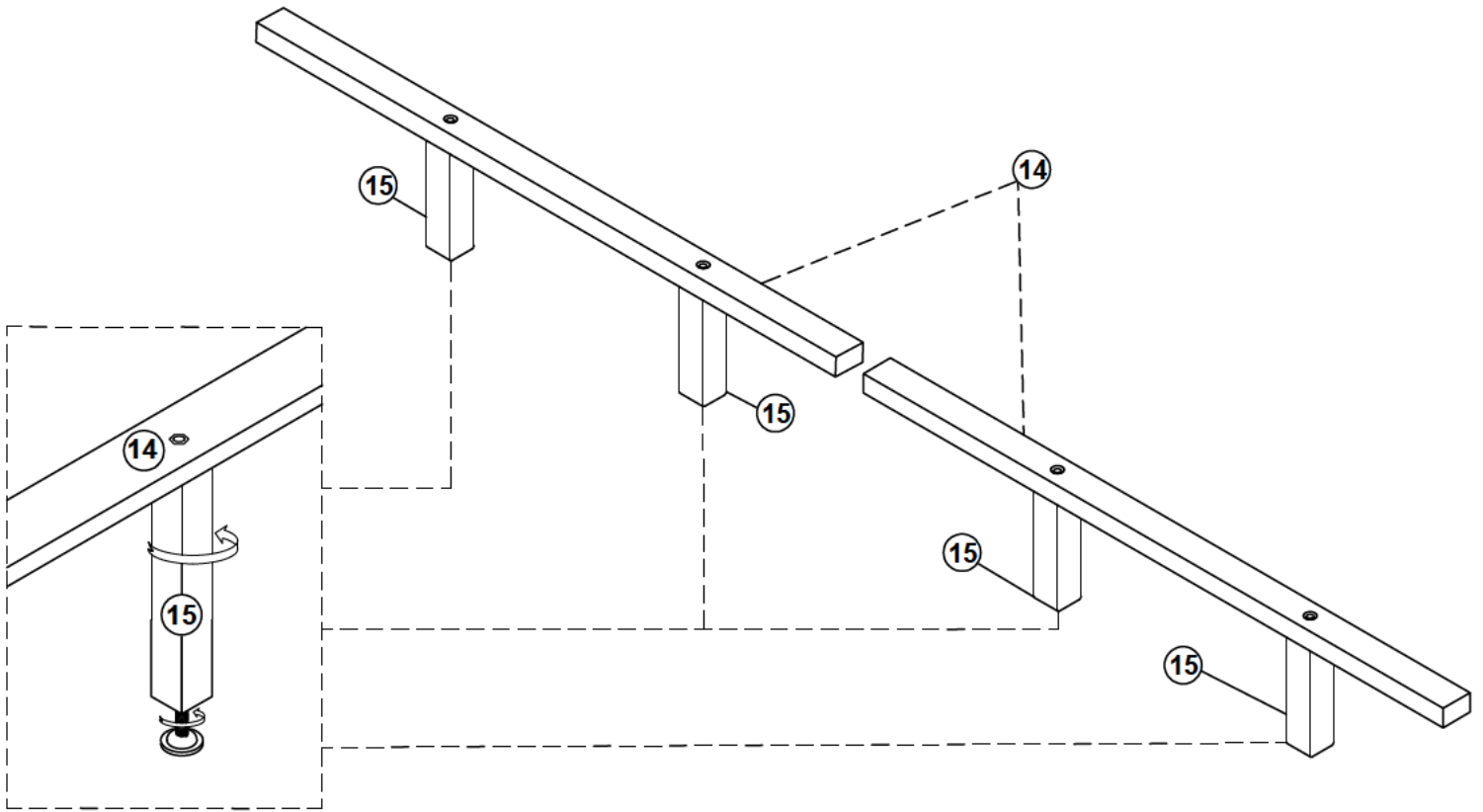
## STEP 6



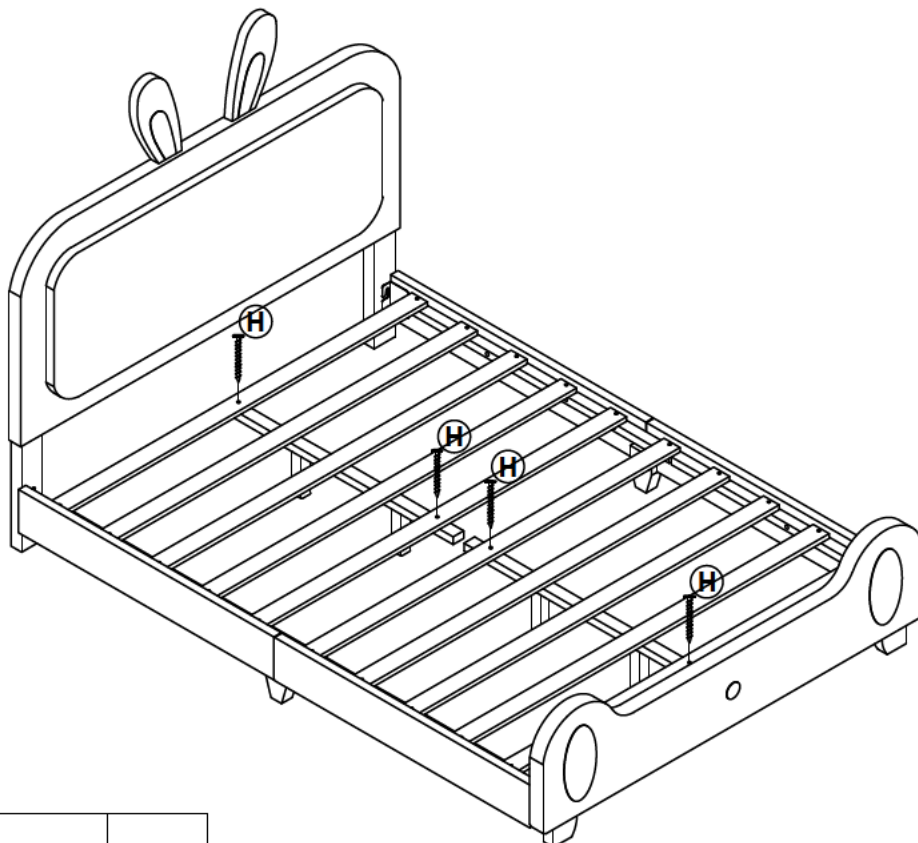
<b>A</b>	<b>Bolt</b> (Ø 5/16 "X25mm)		<b>8pcs</b>	<b>E</b>	<b>Spring Washer</b> (Ø 5/16 "-RBW)		<b>8pcs</b>
<b>D</b>	<b>Allen Wrench</b> (M4x75mm x32mm)		<b>1pc</b>	<b>F</b>	<b>Flat Washer</b> (Ø 5/16 "-RBW)		<b>8pcs</b>

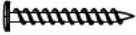
# ASSEMBLY INSTRUCTIONS

## STEP 7



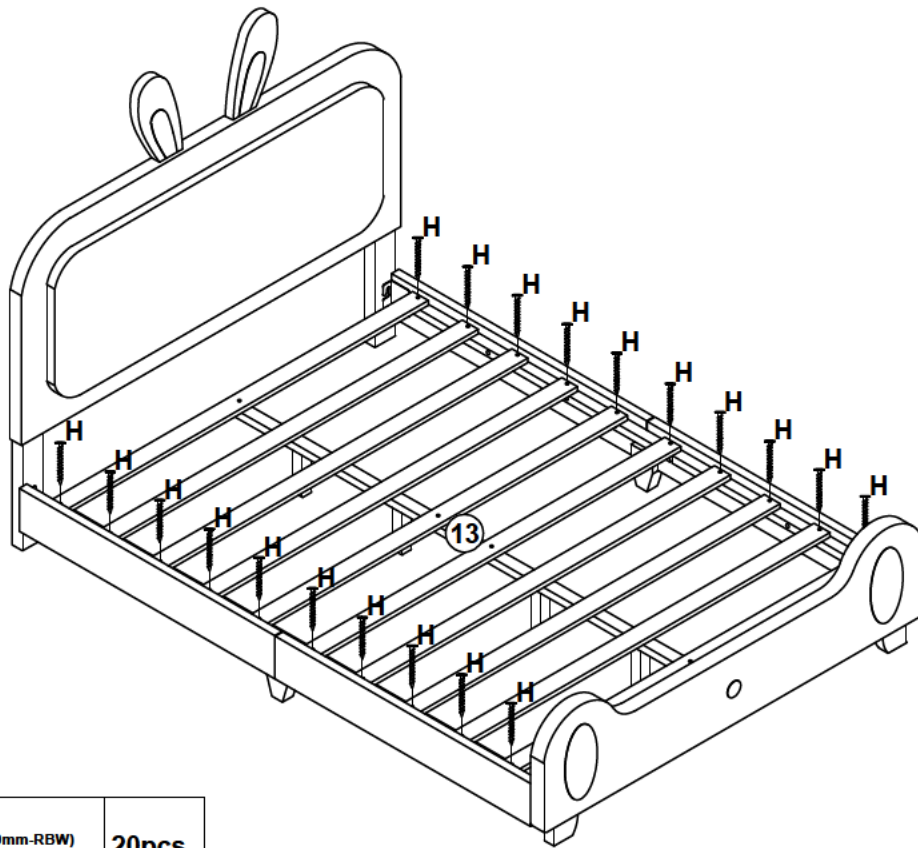
## STEP 8




E		(m4x30mm-RBW)	4pcs
---	-------------------------------------------------------------------------------------	---------------	------

# ASSEMBLY INSTRUCTIONS

## STEP 9



E		(m4x30mm-RBW)	20pcs
---	-------------------------------------------------------------------------------------	---------------	-------

## STEP 10

### COMPLETE

