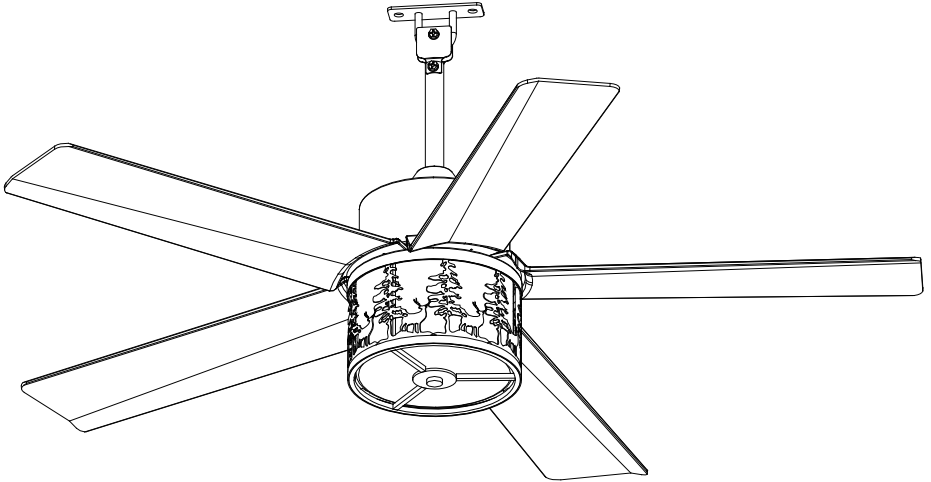


User's Manual

Ceiling Fan Light

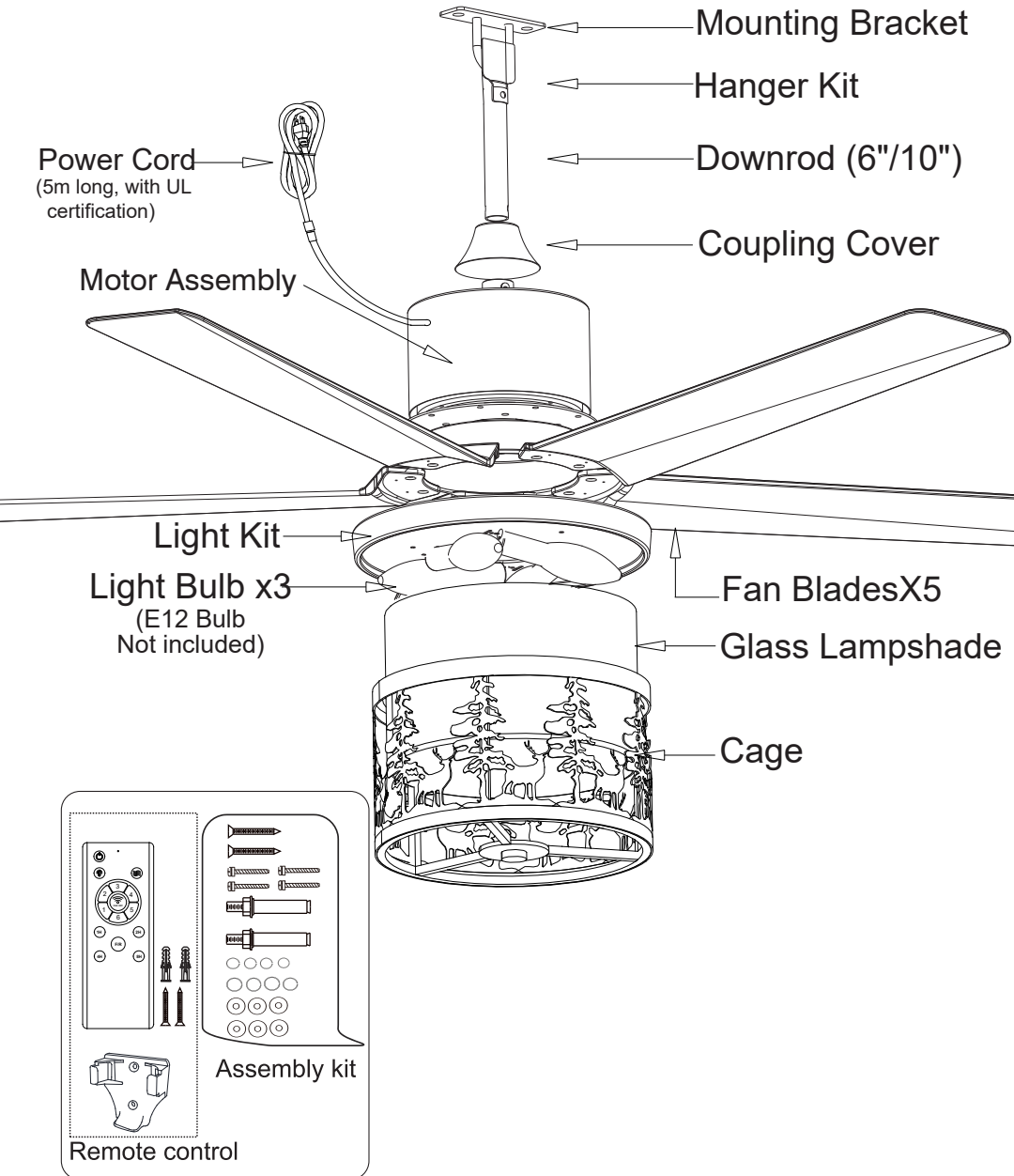


INSTALLATION GUIDE







READ AND KEEP THIS INSTRUCTION
FOR FUTURE REFERENCE

01.Parts list and tools

1.Parts list



2.Tool needed

					
Electrical Adhesive tape	14open Spanner	Slotted Screwdriver	Philips Screwdriver	Telescoping Ladder	Pliers

WARNING

- (1). To avoid possible electrical shock, be sure electricity is turned off at the main fuse box before wiring. Installation must be conducted by professional electrician.
- (2). The fan light does not work with a dimmer switch or a variable speed solid state wall control.

Maintenance

- (1). It is recommended to check the connecting parts of the fan at least once a year, such as the hanger, the hanging pipe fastening screw and the fan blade, to ensure that their connection is still safe and reliable.
- (2). Clean the ceiling fan regularly to keep the blades surface clean.
- (3). Motor bearing is already provided with grease, do not add lubricating oil to the motor of ceiling fan.

After-Sales Service

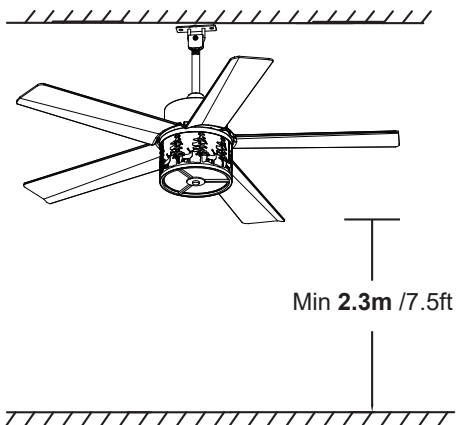
If you experience any issues during installation or use of this ceiling fan light, or if any parts are missing or damaged, please contact our after-sales service team for assistance.

When contacting us, please provide your order number, product model number, and a brief description of the issue. Our customer support team will review your request and respond within 24 hours.

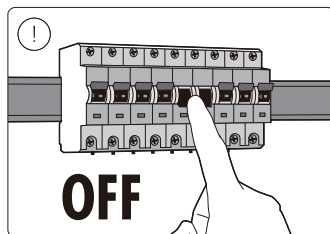
02. Installation guide

The fan light does not work with a dimmer switch or a variable speed solid state wall control.

1. Before you start



1A: You need to wear gloves.

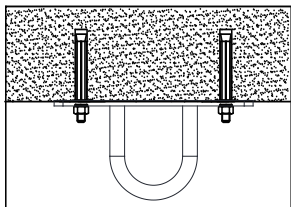


1B: Check the distance between fan and ground.

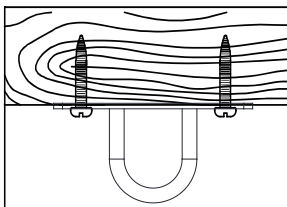
1C: Turn OFF the electric circuit at the main fuse or circuit breaker box.

2. Install the bracket

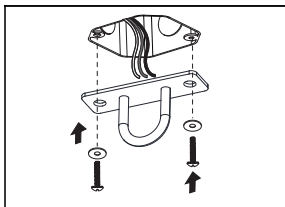
FOR CONCRETE CEILING



FOR WOOD CEILING



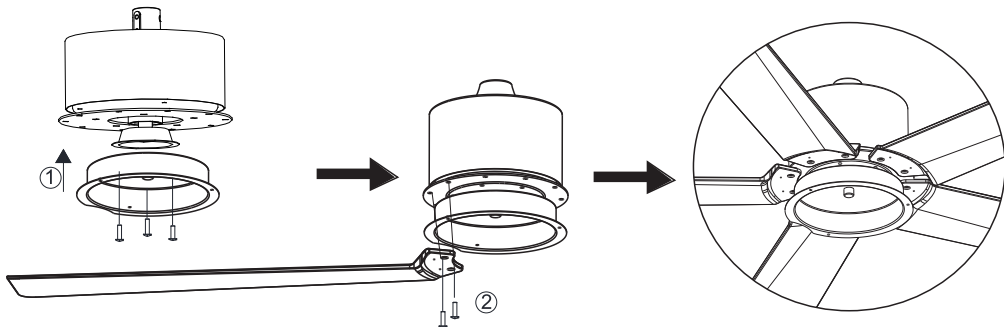
FOR OUTLET BOX



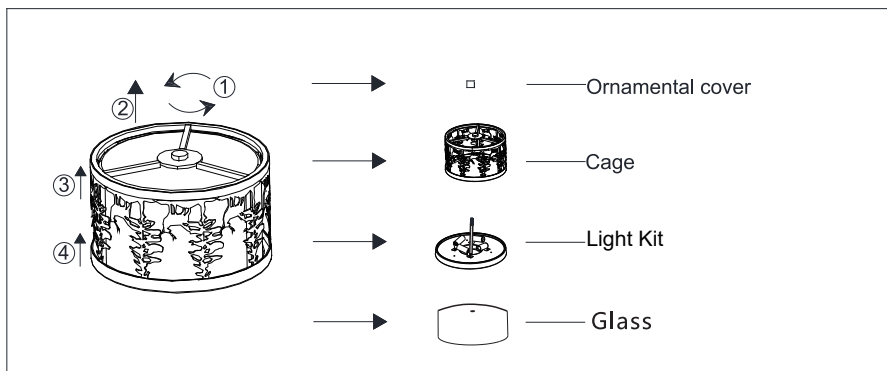
Choose different screws for installation based on the different materials of the roof.

3. Mount the fan blades and lighting assembly.

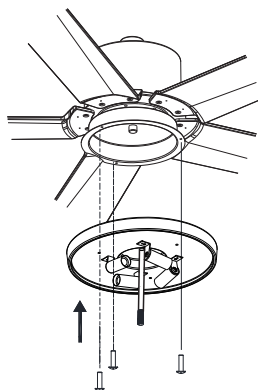
Attach each fan blade to the motor housing and secure it with the provided screws .
(CAUTION: For best balance, do not fully tighten the screws until all blades are installed.)



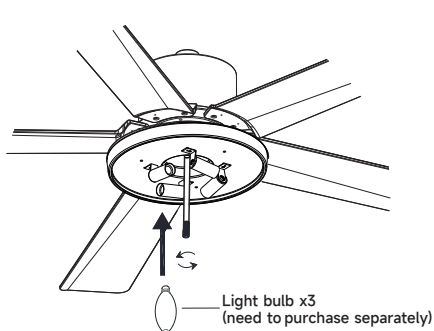
4. Disassemble the cage parts



5. Instilling the light kit

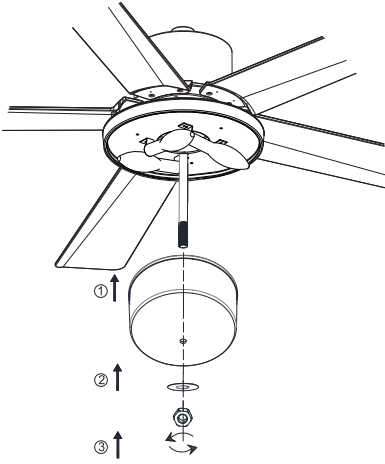


6. Instill the light bulbs



As shown in the figure, assemble the light kit with the main unit and secure it with three screws.

Rotate and tighten the bulbs

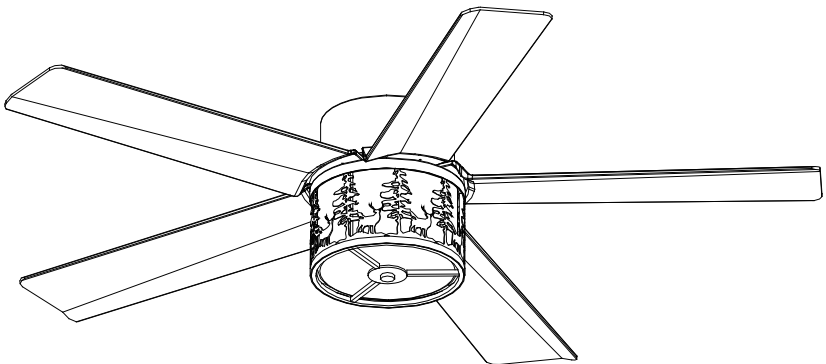
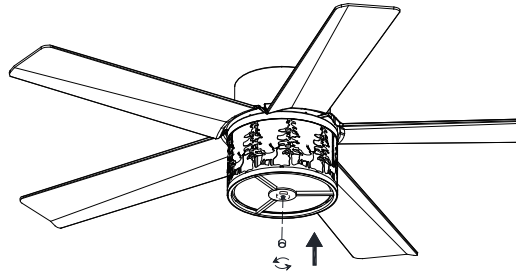


7. Install a glass lampshade.

Insert the lampshade into the tube in the order shown in the diagram and secure it with a washer and nut.

8. Install the cage

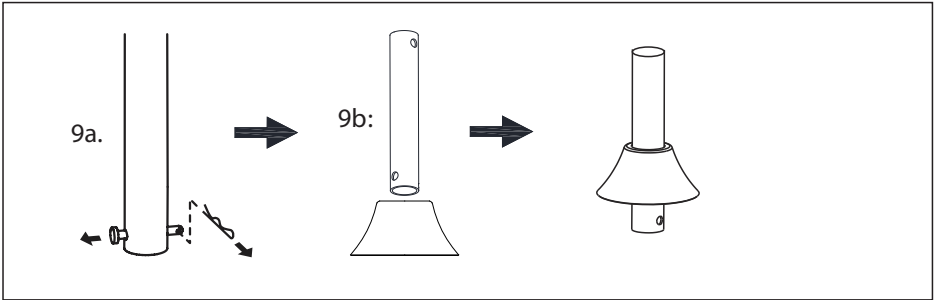
As per the diagram, mount the cage onto the lamp holder, secure it with screws, and then rotate the decorative cover to fix it in place..



9. Install the Downrod and Coupling Cover

9a: Loosen the set screw at the yoke of the downrod assembly.

9b: Slide the coupling cover down onto the downrod.



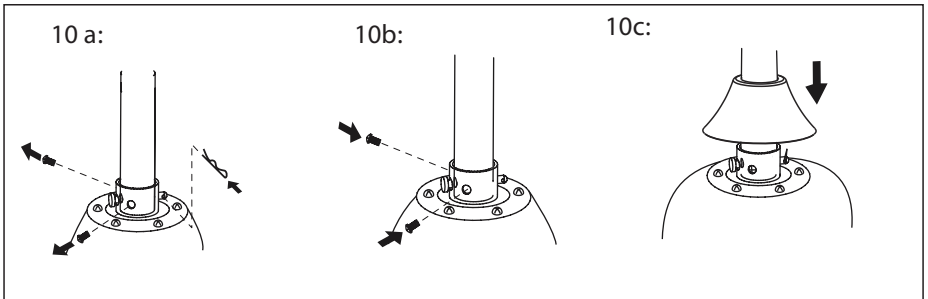
10. Installing the Downrod Assembly

10a1: Loosen the screws from the yoke.

10a2: Insert the safety bolt through the aligned holes,
Secure the safety bolt by inserting the safety pin

10b: Tighten the screws to lock the downrod securely in place.

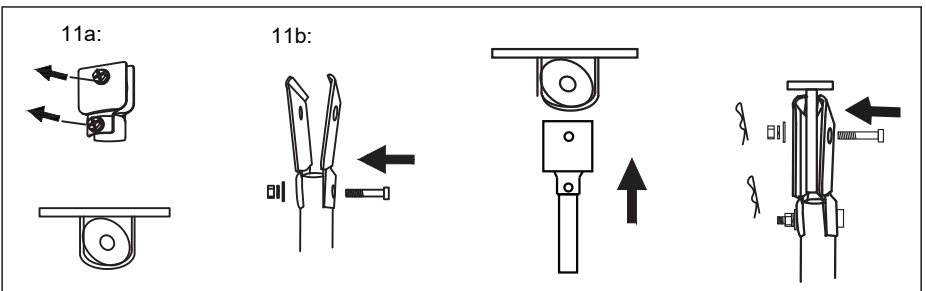
10c: Slide the coupling cover down onto the downrod.



11. Removing the Fan Clip Assembly and Hanging Assembly

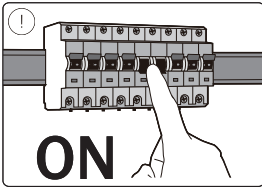
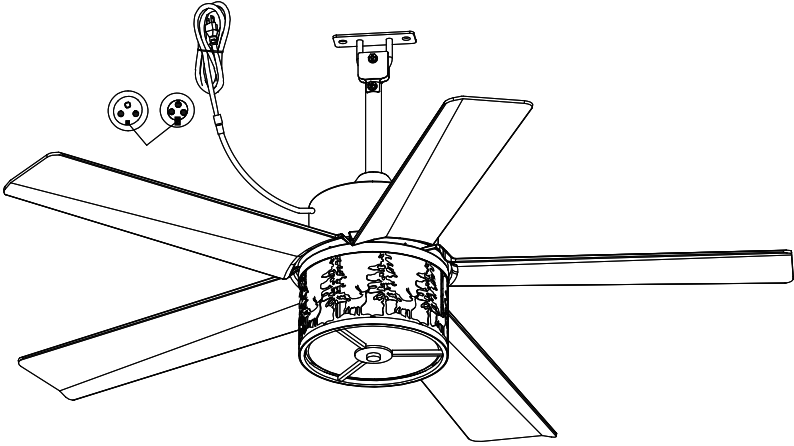
11a: Disassemble the components of the hanger kit and store them safely for later reassembly.

11b: Install the suspension assembly by attaching the hanging clip to the mounting bracket and the downrod.







12. Connect the Fan Waterproof Connector

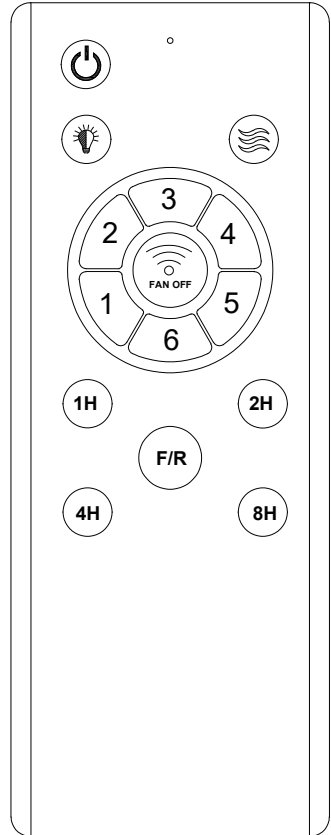
Connect the fan's waterproof connector by fully inserting the keyed connectors together



Make sure the installation is correct before turning on the power.


03.Remote control operation

Key function description	
	Light&Fan all OFF
	Turn the lights off and on
	Natural wind
	Code key / FAN OFF
1~6	Fan Speed
F/R	Forward/Reverse Switch
1H 2H 4H 8H	Timer



Re-pairing steps for remote control:

If your remote control loses connection to the fan, you may follow below steps to rebuild the link.

After the fan is powered on, immediately press the  on the remote control for more than 2 seconds, pairing is successfully done when you see the light flash.

PROBLEM

SUGGESTED REMEDY

<p>1. If fan does not start:</p>	<ol style="list-style-type: none"> 1. Make sure that the power plug is properly plugged. 2. Ensure that the battery in the remote are installed properly and that they still have power.
<p>2. If fan sounds noisy:</p>	<ol style="list-style-type: none"> 1. Make sure all screws in motor housing are snug. (not over tightened) 2. Make sure the screws which attach the fan blade bracket to the motor are tight. 3. Allow "break-in" period of 24 hours. Most noises associated with a new fan will disappear after this period.
<p>3. If fan wobbles:</p>	<p>The following procedures should eliminate most of the wobble. Check for wobble after each step.</p> <ol style="list-style-type: none"> 1. Check that all blades are screwed firmly into motor. 2. Make sure that the mounting bracket are tightened securely. 3. Most fan wobbling issues are caused by uneven blade heights. Check the blade levelness as follows: Select a reference point on the ceiling directly above the rotation path of the fan blades. Measure the distance from this point to the tip of one blade. Rotate the fan until the next blade is positioned at the same measurement point, and repeat this process for all blades. The distance deviation between each blade shall be within 1/8". 4. Interchanging two adjacent blades could redistribute the weight and possibly result in smoother operation.
<p>4. If light does not work:</p>	<ol style="list-style-type: none"> 1. Check the integrity of the 5 m power cord: <ul style="list-style-type: none"> -Ensure the power cord is not cut, cracked, frayed, or damaged. -Check for visible wear caused by pulling, bending, or outdoor exposure. 2. Check both ends of the power cord connection: <ul style="list-style-type: none"> -Make sure the plug is fully inserted into the outlet. -Ensure the cord connection to the fan body is secure and not loose. 3. Check for faulty light bulbs.