



30 : 00

estimated
assembly time



2 or more

people required

Ok, let's
get started!



- Put on mood music!
- To prevent damage to product, use the clean side of package carton or rug as working surface.
- In the event of missing or damaged parts, delivery problems etc., please reach out to our team.
We will be happy to fix the problem!

care guide

- Clean regularly with a soft and dry cloth.
- To protect finish, avoid use of abrasive cleaners.
- Wipe up spills immediately. Please!

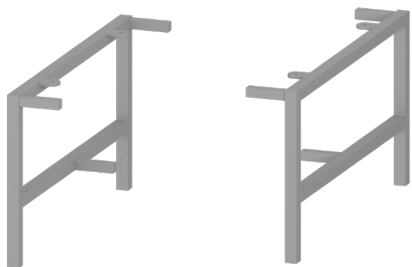
ⓘ **While assembling the product, tighten the bolts up to 50%. Once all parts are in place, only then fully tighten the bolts.**



product parts



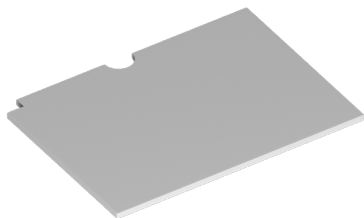
A
Sideboard
x1



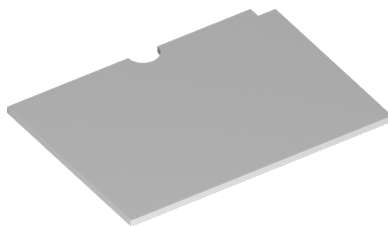
B
Legs
x2



C
Rod
x1



D1
Left Shelf
x1



D2
Right Shelf
x1

what's included



(E) - Washer
(Ø18mmxØ8mm)
x4



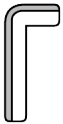
(F)-Lock Washer
(Ø15mmxØ8mm)
x4



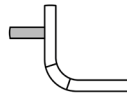
(G) - Bolt
(M6x20mm)
x4



(H) - Bolt
(M6x10mm)
x12



(I)- Allen Key
(Ø4mmx110mm)
x1



(J)- Shelves hook
x8

assembly instructions

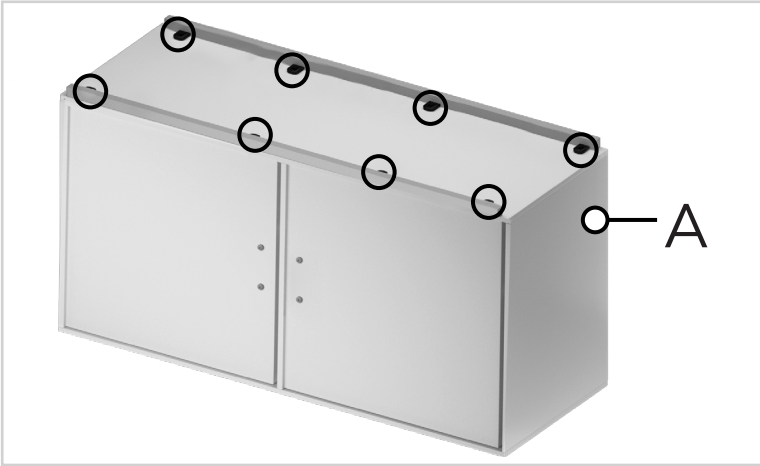
Friendly Tip: Take a deep breath going in. This may be a tricky part, but nothing too overwhelming. Just follow these steps to the T and the outcome will be worth it!



- ⓘ While assembling the product, tighten the bolts up to 50%. Once all parts are in place, only then fully tighten the bolts.

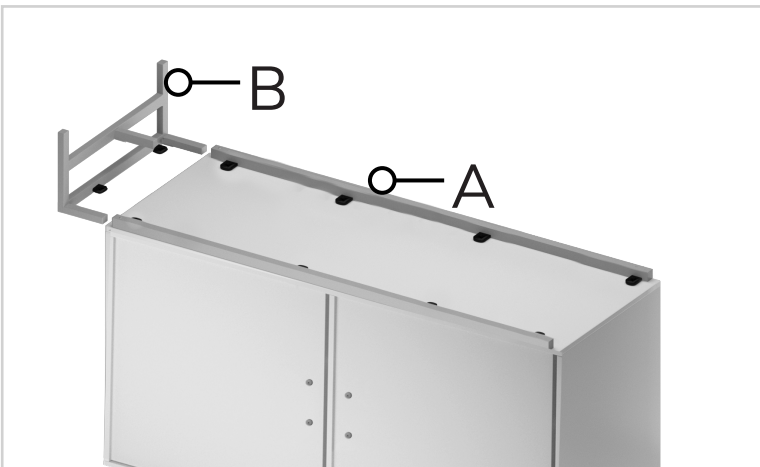
step 1:

Start by turning the sideboard (A) upside-down. Unscrew the pre-installed metal rods using the allen Key (I) on the base by 50%. See the highlighted areas below for point reference.



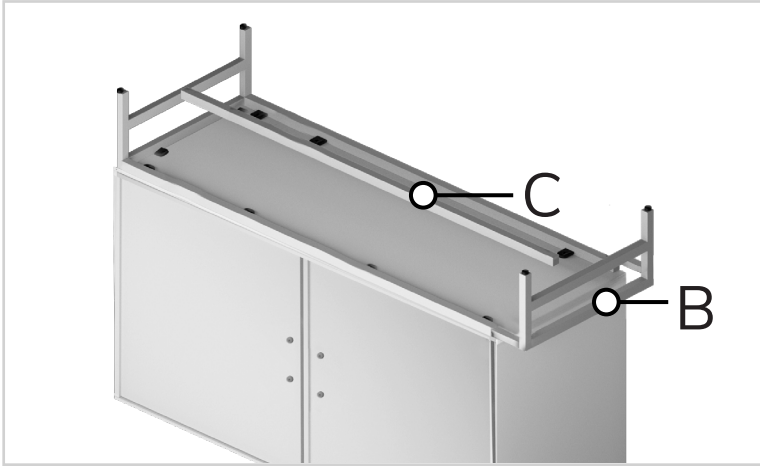
step 2:

Now, insert the left leg (B) into the metal rods on the base. See the image below for reference.



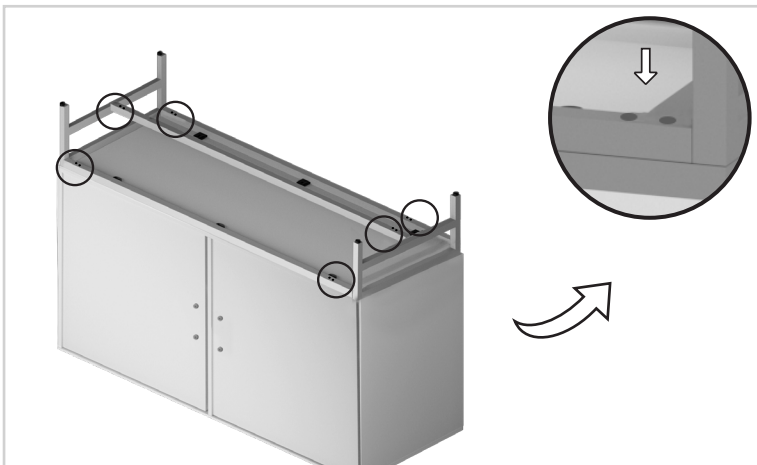
step 3:

Slide rod (C) onto the leg (B) as shown in the image. Next, insert the right leg (B) into rod (C) and the preinstalled rods on cabinet base (A). We're off to a great start.



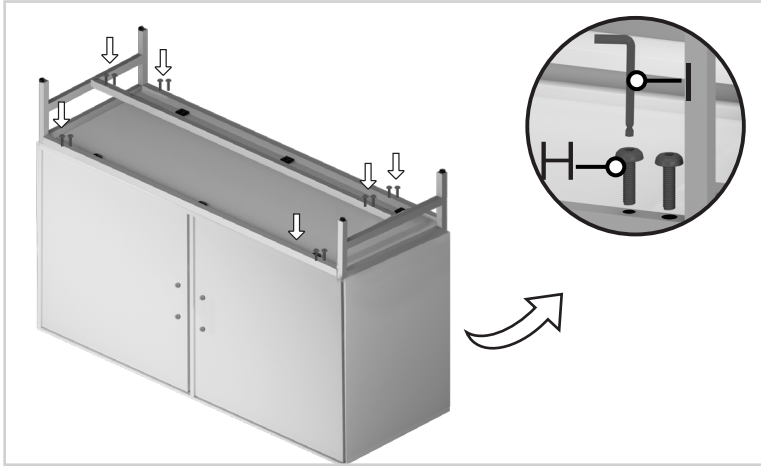
step 4:

Check out the holes on rod (C) and the preinstalled rods as highlighted in the image. That's where you'll be inserting bolts (H).



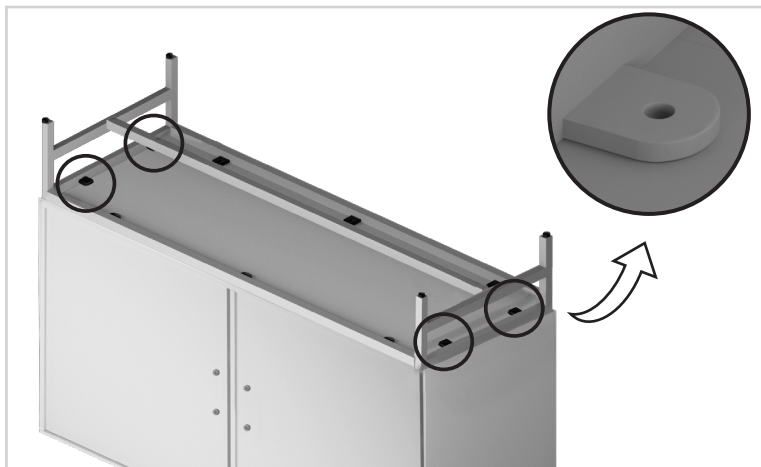
step 5:

Using bolts (H) and allen key (I), secure them in place.



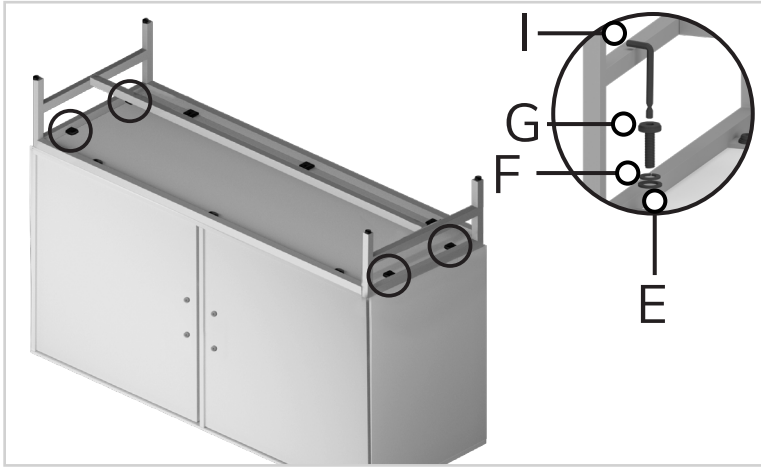
step 6:

Refer to the highlighted areas to see where you'll be inserting bolts (G) next.



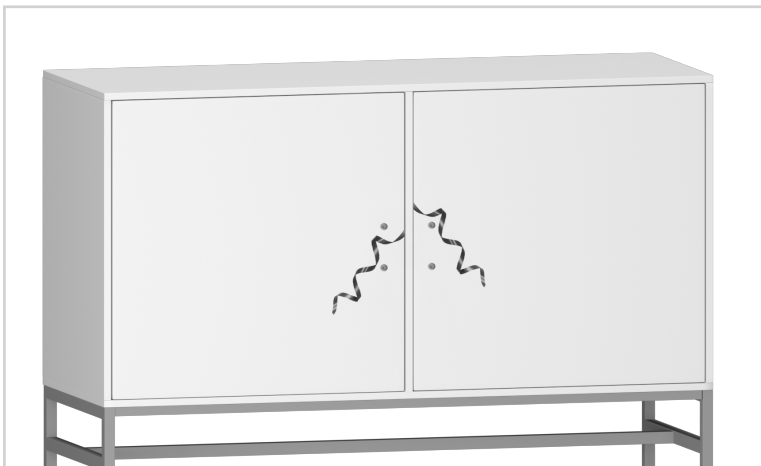
step 7:

Insert washer (E), lock washer (F) and bolt (G) on all four holes and fix them in place with the help of allen key (I).



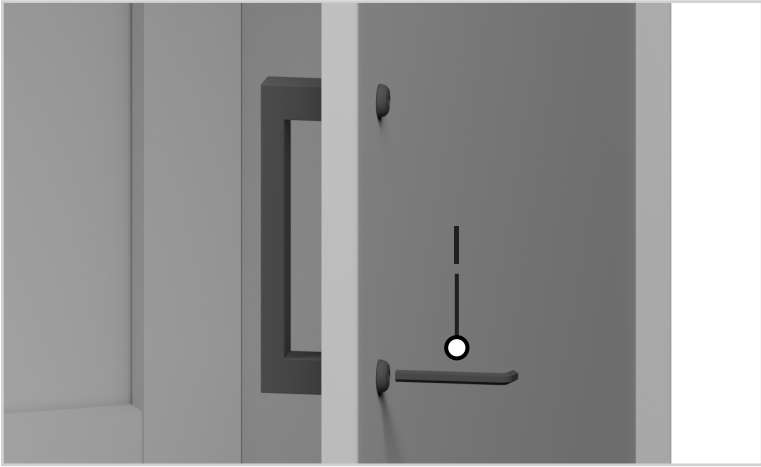
step 8:

Now turn the sideboard upside-down and pull on the ribbons to open the doors.



step 9:

Using the allen key (I), detach the handles fitted inside the doors.



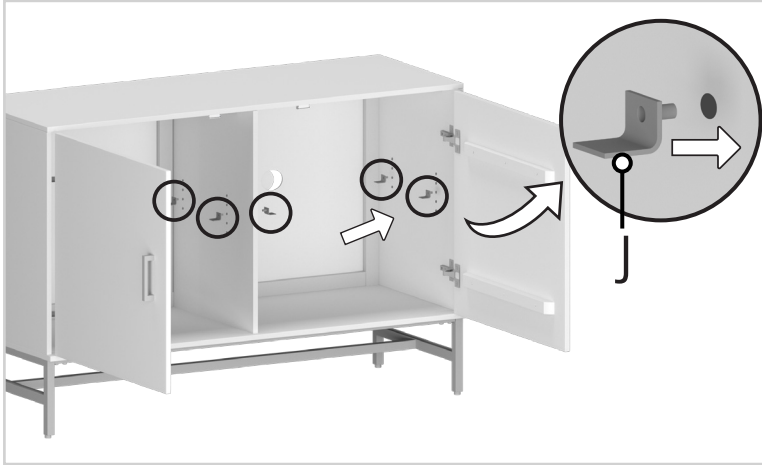
step 10:

Then, place the handle outside the doors and reattach it using the bolts you removed in step 9. Tighten it in place using allen key (I).



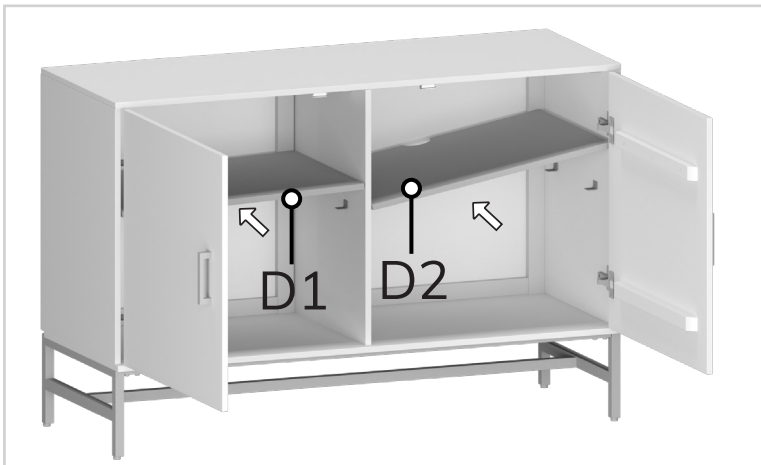
step 11:

Taking this image as reference, attach shelf hooks (J) to your preferred pre-drilled slot (as per height requirement). Make sure all 4 shelf hooks on each side are attached to slots on the same height.



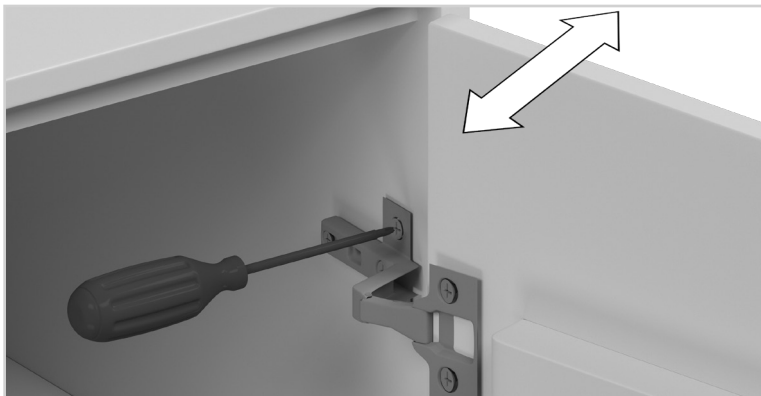
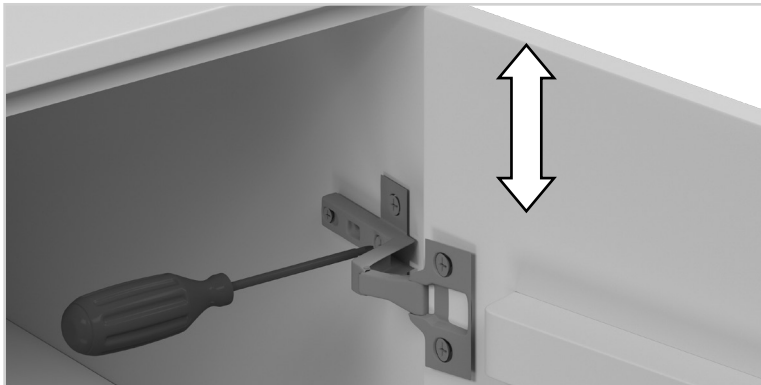
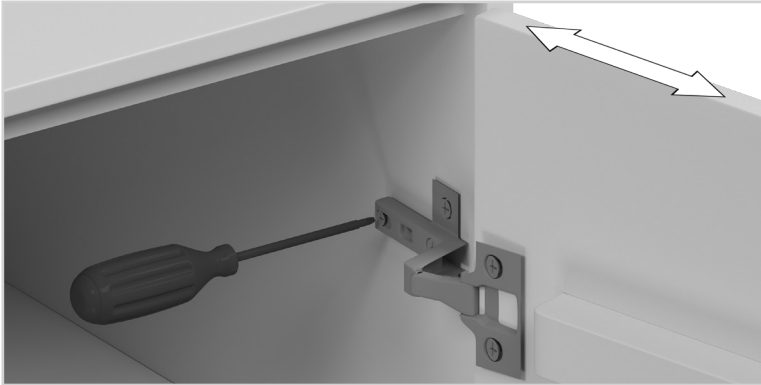
step 12:

Place shelves (D1 & D2) on shelf hooks (J).



step 13:

If the door does not appear square or aligned, loosen or tighten the appropriate screws on each case hinge as shown in images.



Voila! Your side board is now assembled and secure!