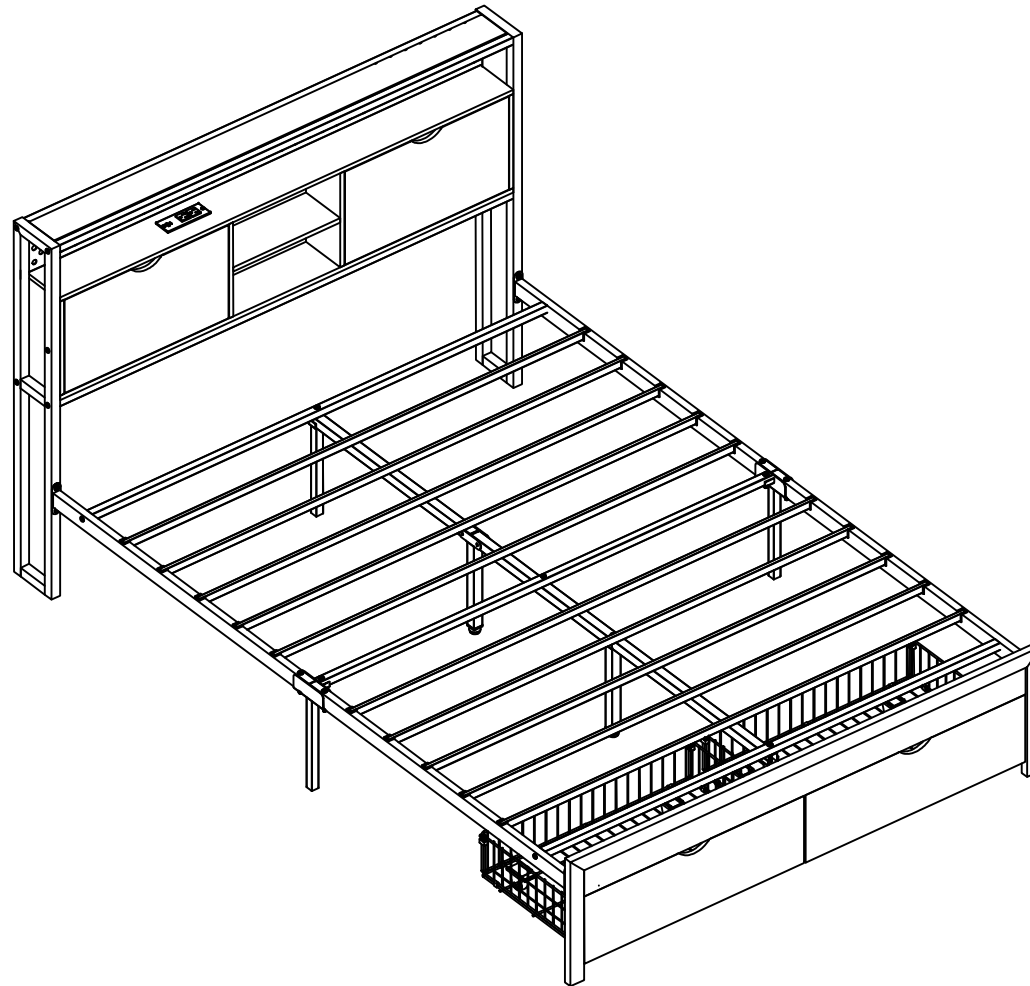
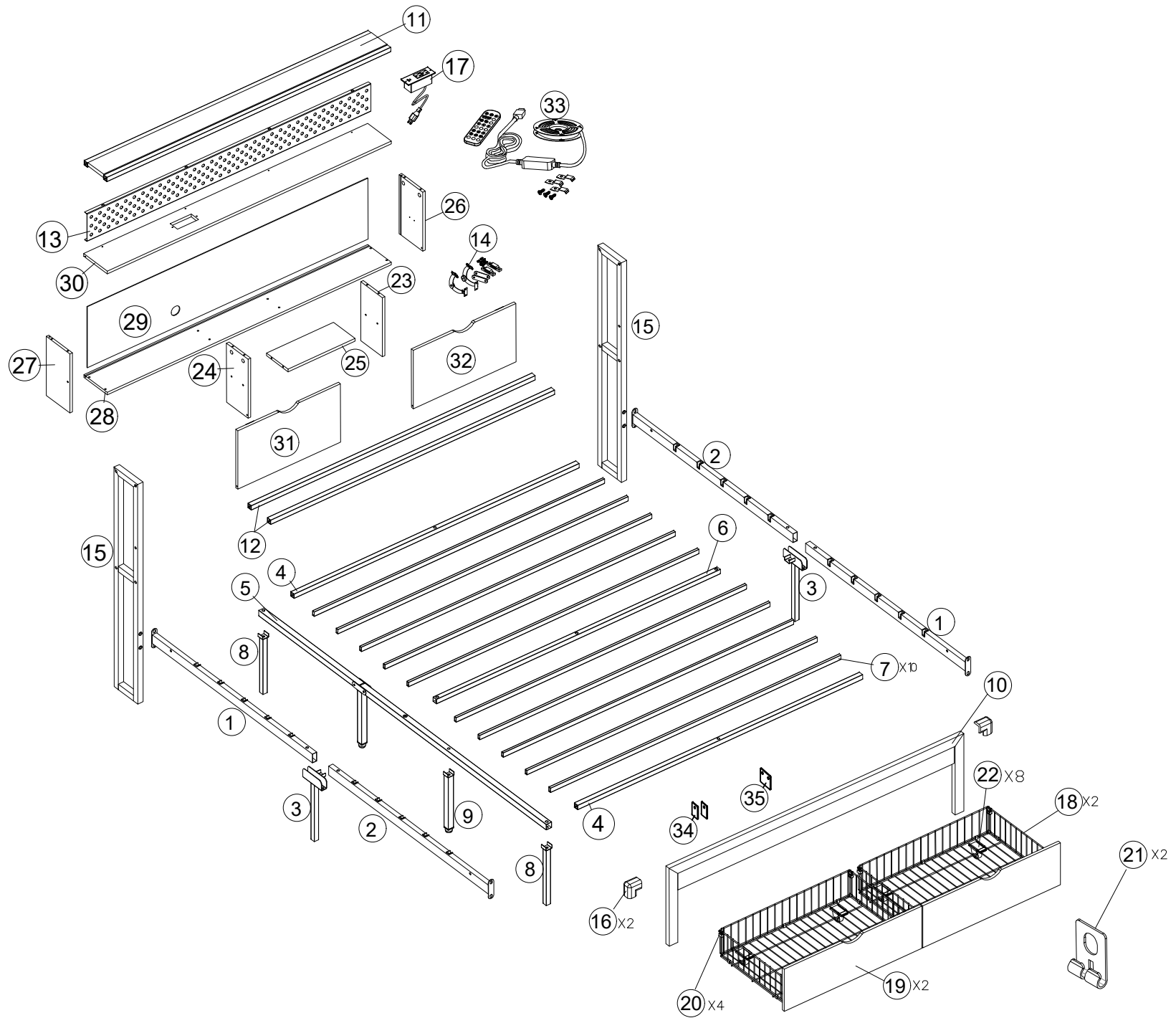


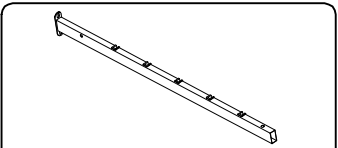
Assembly Instruction



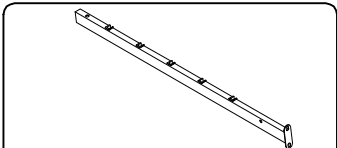
Attention: Please don't tighten the screws completely and go back later for a final tightening of all the screws after pieces are aligned with each other. If the screws are tightened initially, subsequent hole positions may be misaligned.



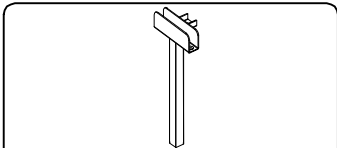
Part list



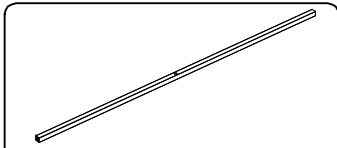
① 2pcs



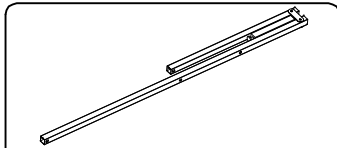
② 2pcs



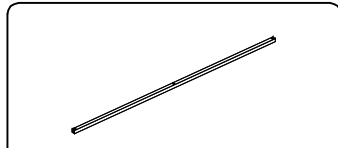
③ 2pcs



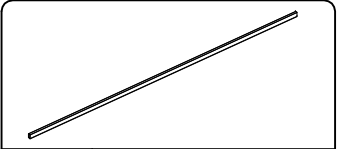
④ 2pcs



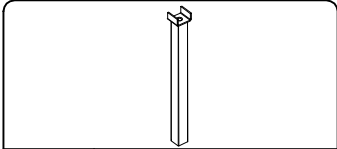
⑤ 1pc



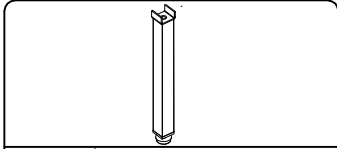
⑥ 1pc



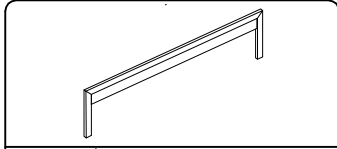
⑦ 10pcs



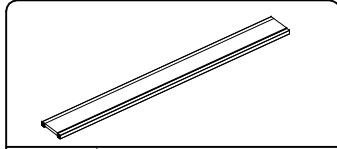
⑧ 2pcs



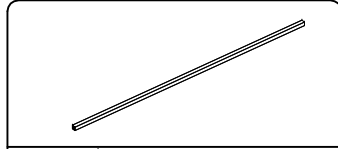
⑨ 1pc



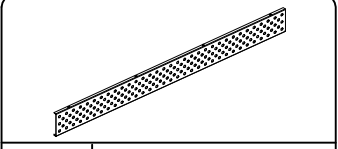
⑩ 1pc



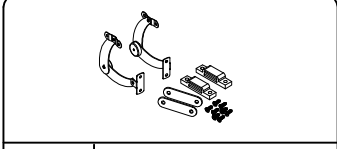
⑪ 1pc



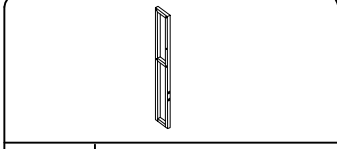
⑫ 2pcs



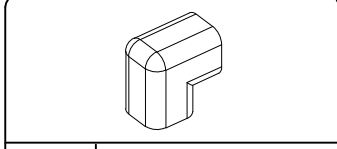
⑬ 1pc



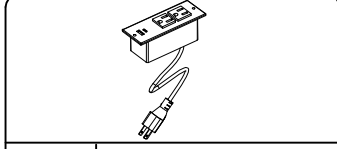
⑭ 1pc



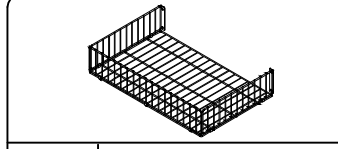
⑮ 2pcs



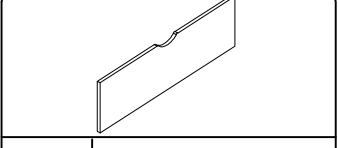
⑯ 2pcs



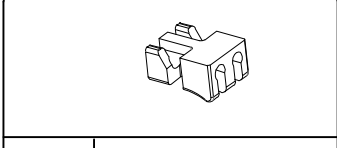
⑰ 1pc



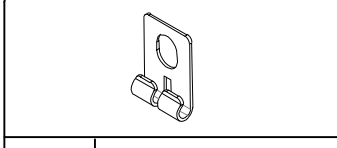
⑱ 2pcs



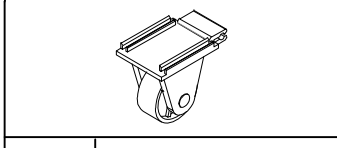
⑲ 2pcs



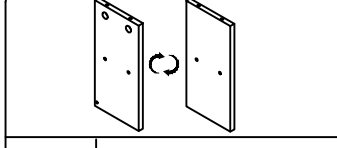
⑳ 4pcs



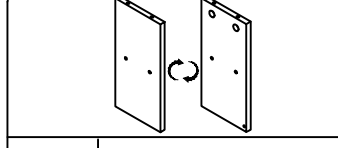
㉑ 2pcs



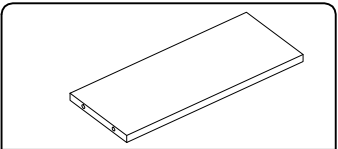
㉒ 8pcs



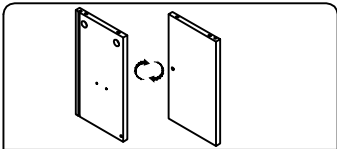
㉓ 1pc



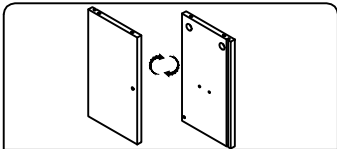
㉔ 1pc



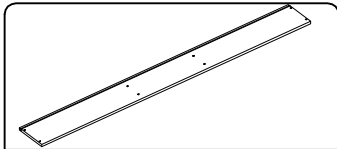
㉕ 1pc



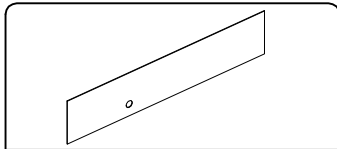
㉖ 1pc



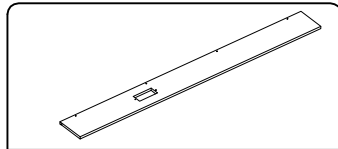
㉗ 1pc



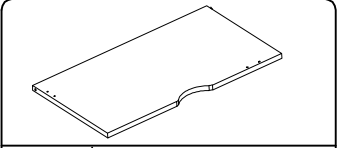
㉘ 1pc



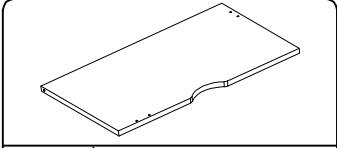
㉙ 1pc



㉚ 1pc



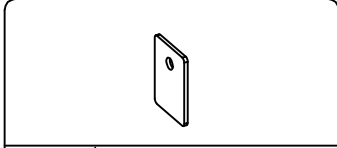
㉛ 1pc



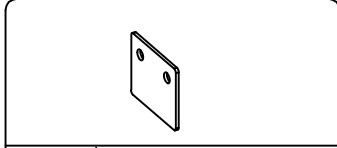
㉜ 1pc



㉝ 1pc



㉞ 2pcs



㉟ 1pc

Hardware arts

A		M6x12mm	18
B		M6x30mm	3
C		M6x35mm	4
D		M6x45mm	8

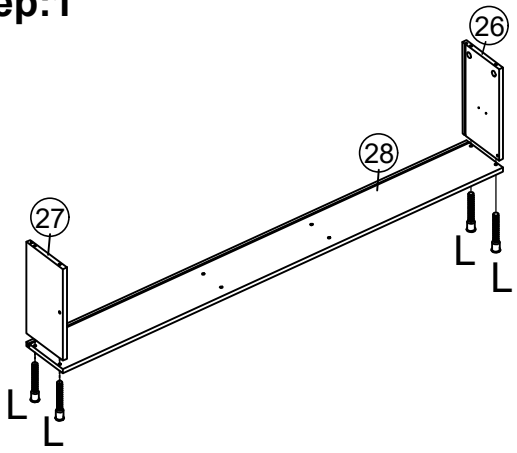
E		M8x20mm	8
F		M8x35mm	3
G		M8x55mm	6
H		4#	1

I		5#	1
O		4#	1
K		M4X12mm	14
L		M5X35mm	12

M		M6x32mm	8
N		Ø14x9.5mm	8
J		Ø5x15mm	4
P		M4X14mm	4

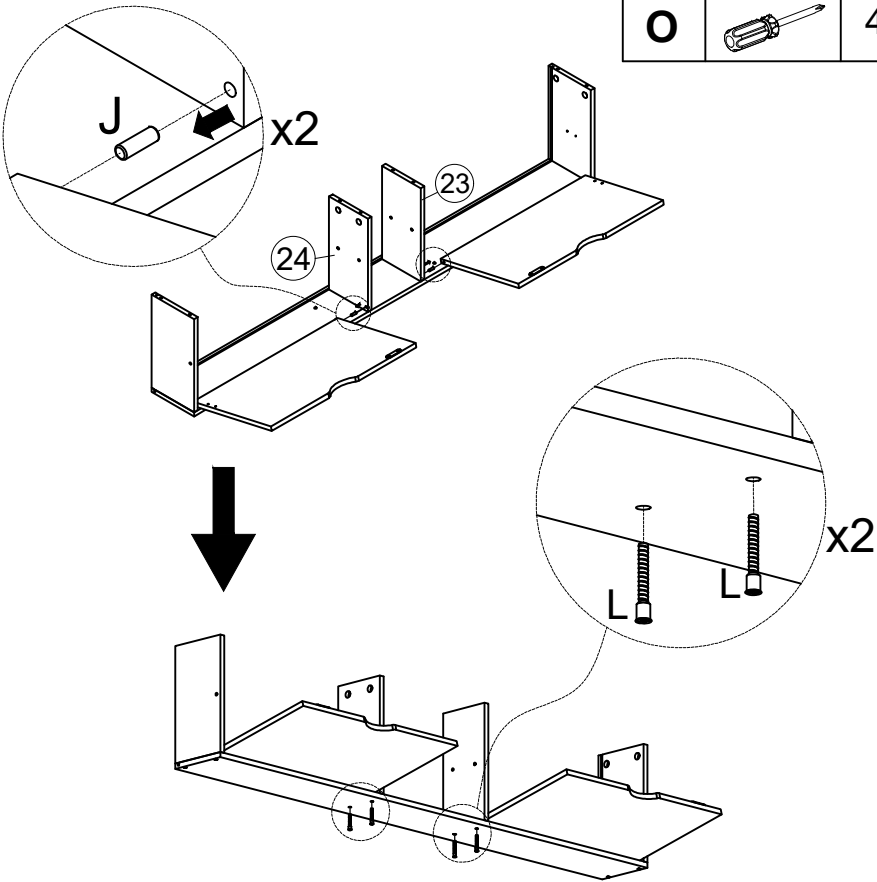
Q		M4	4

Step:1



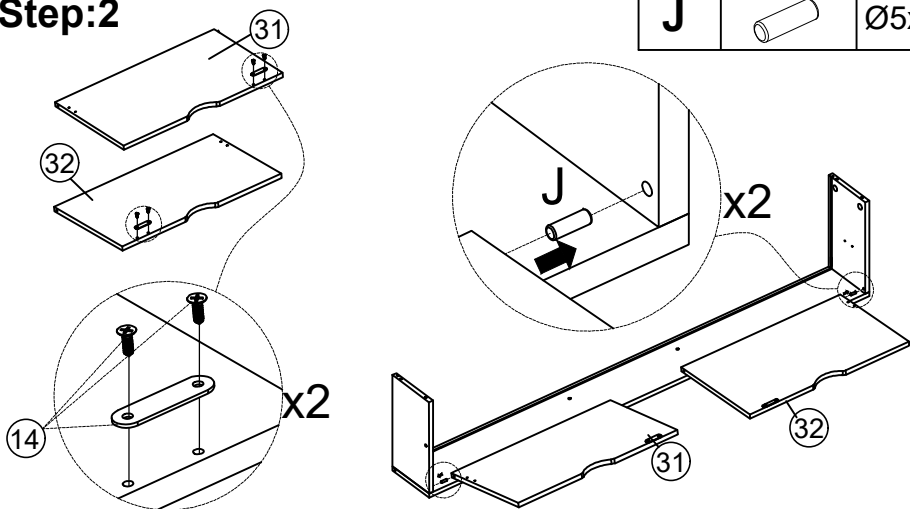
L		M5X35mm	4
O		4#	1

Step:3




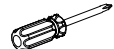
L		M5X35mm	4
J		Ø5x15mm	2
O		4#	1

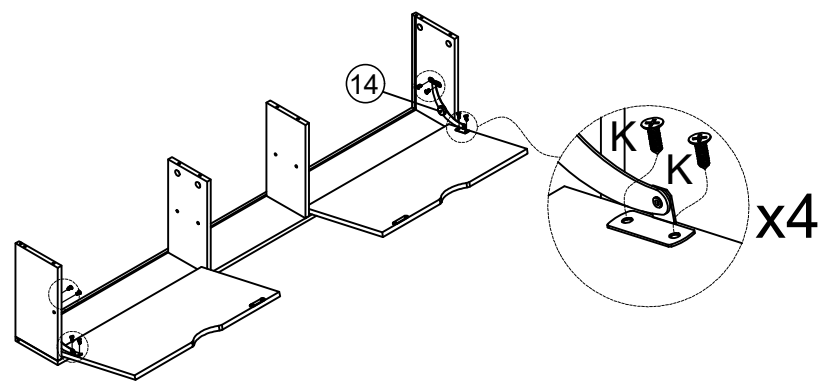
Step:2



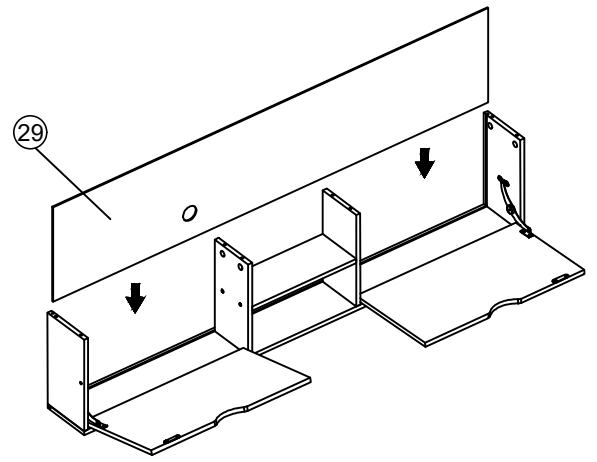
J		Ø5x15mm	2
----------	--	---------	---

Step:4


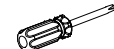
K		M4X12mm	8
O		4#	1

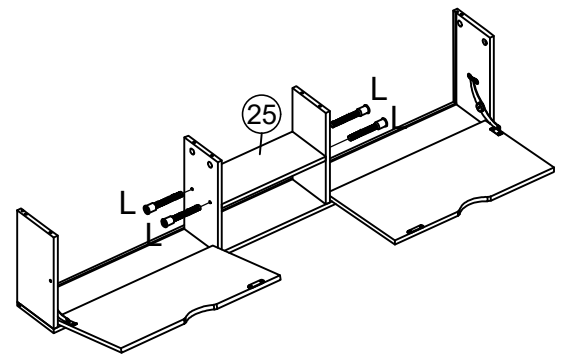


Step:6




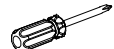


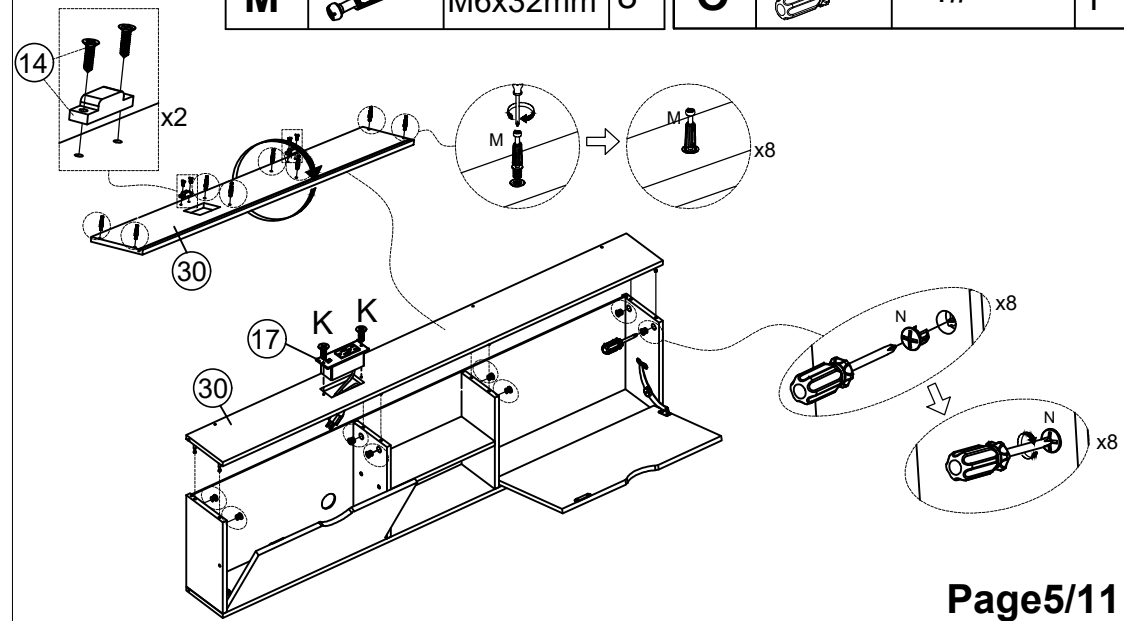
Step:5

L		M5X35mm	4
O		4#	1




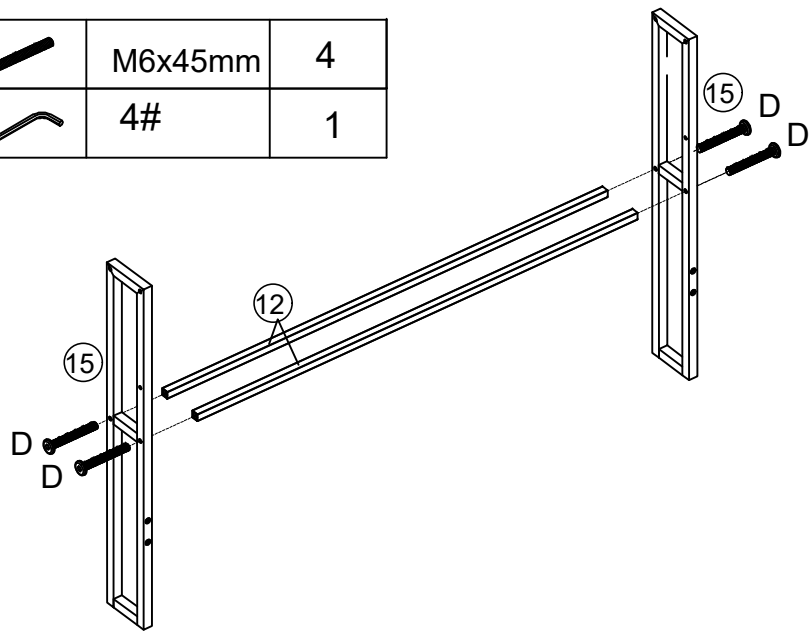
Step:7

K		M4X12mm	2	N		Ø14x9.5mm	8
M		M6x32mm	8	O		4#	1






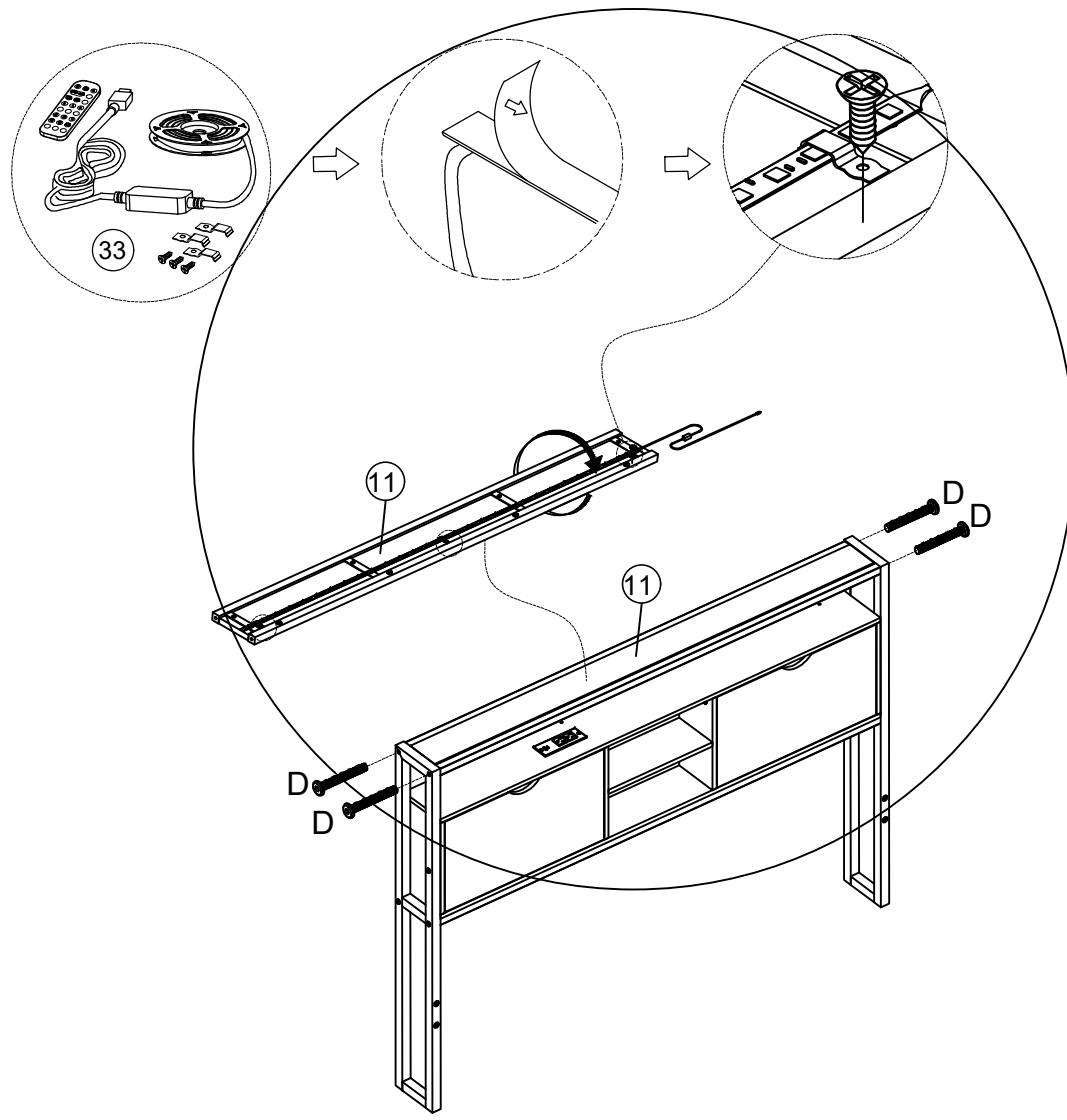
Step:8

D		M6x45mm	4
H		4#	1





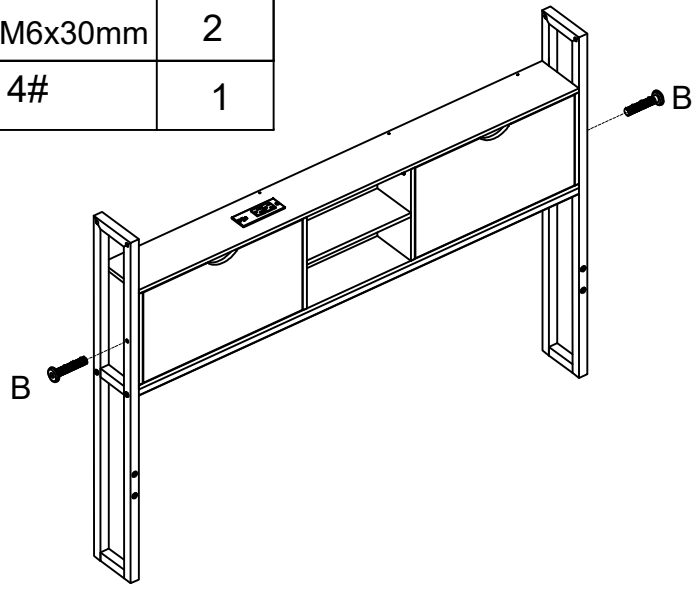
Step:10

D		M6x45mm	4
H		4#	1
O		4#	1







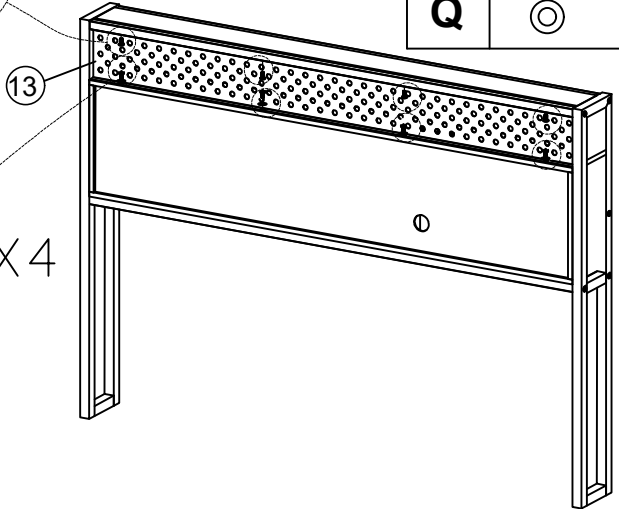
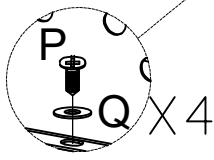
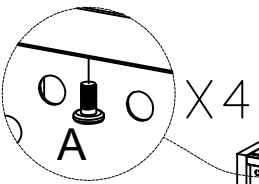
Step:9

B		M6x30mm	2
H		4#	1






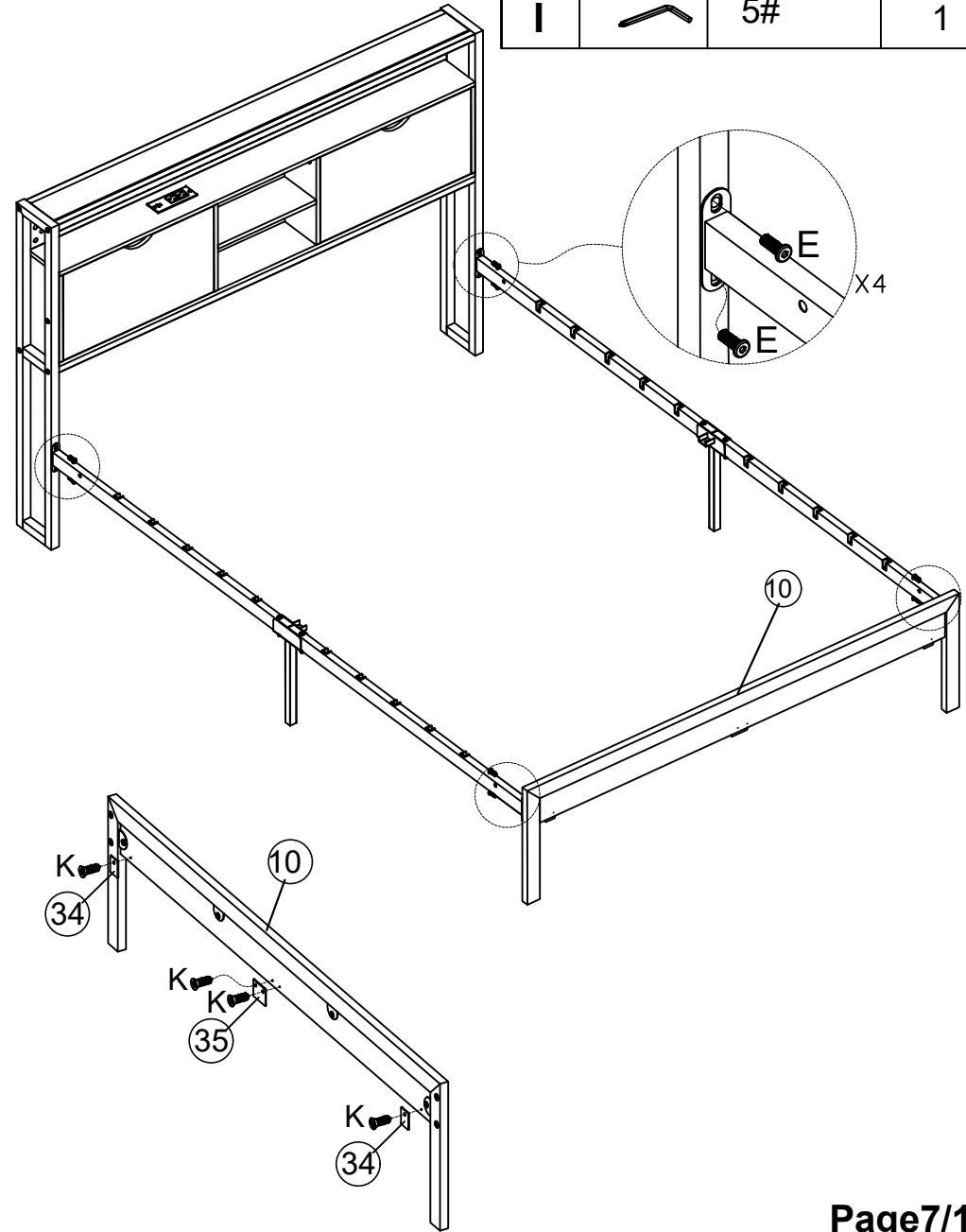
Step:11

A		M6x12mm	4
H		4#	1
P		M4x14mm	4
Q		M4	4





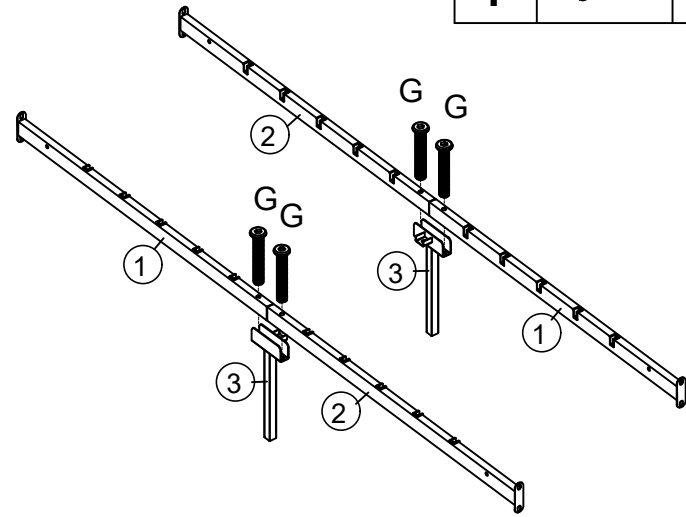
Step:13

K		M4X12mm	4
E		M8x20mm	8
I		5#	1







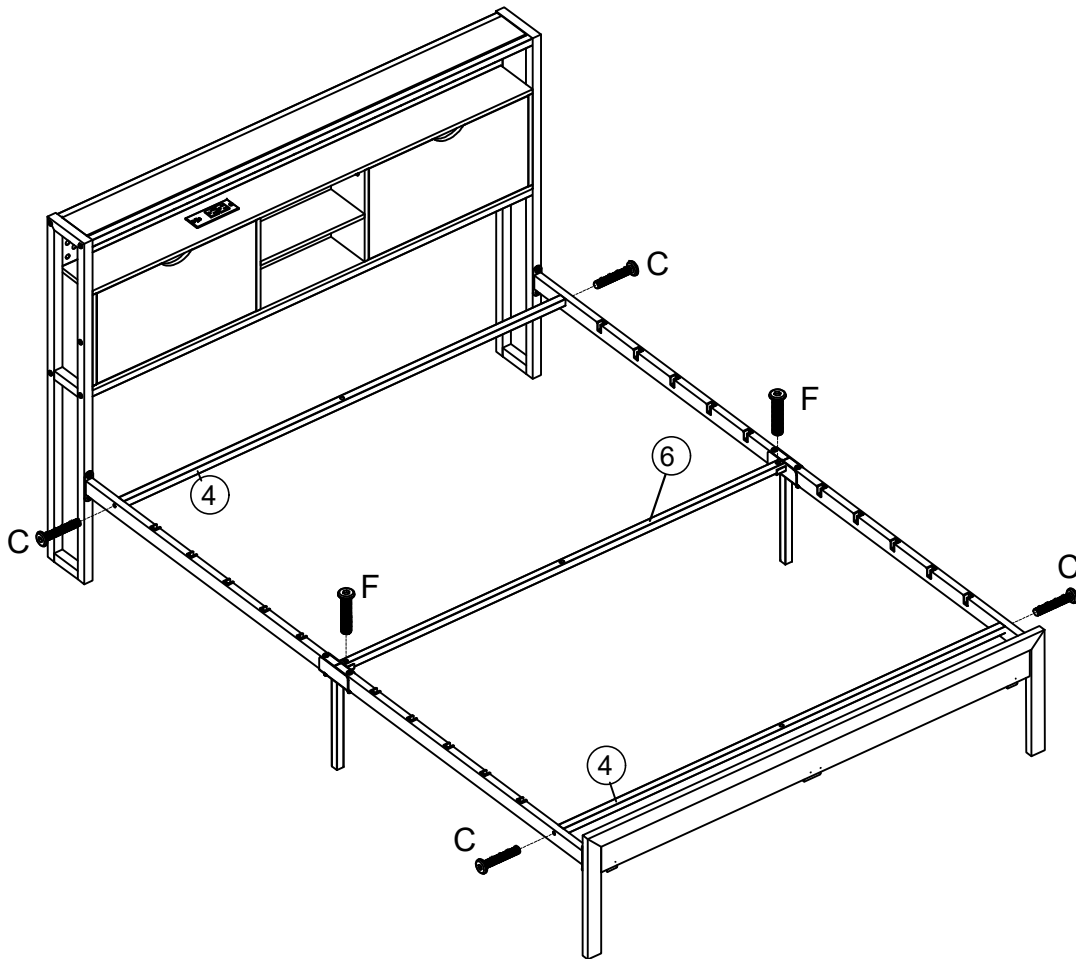
Step:12

G		M8x55mm	4
I		5#	1








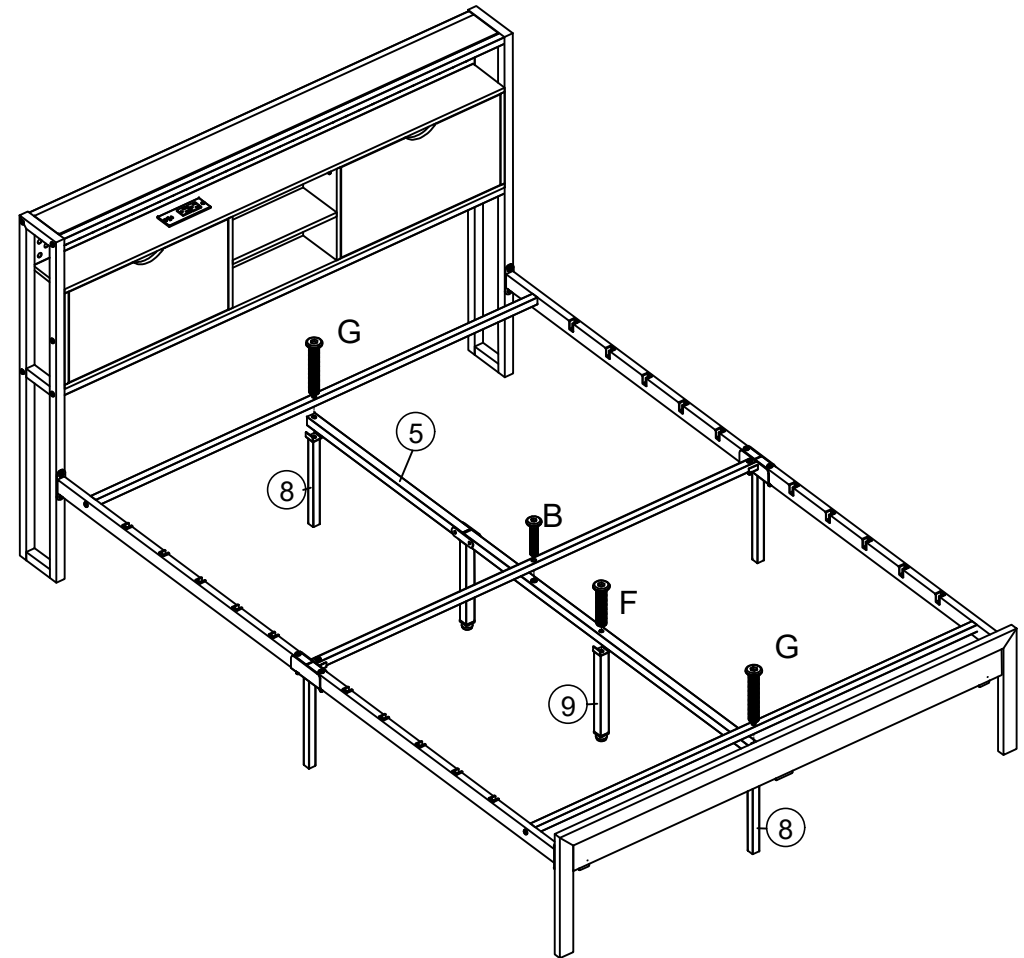
Step:14

C		M6x35mm	4
F		M8x35mm	2
H		4#	1
I		5#	1

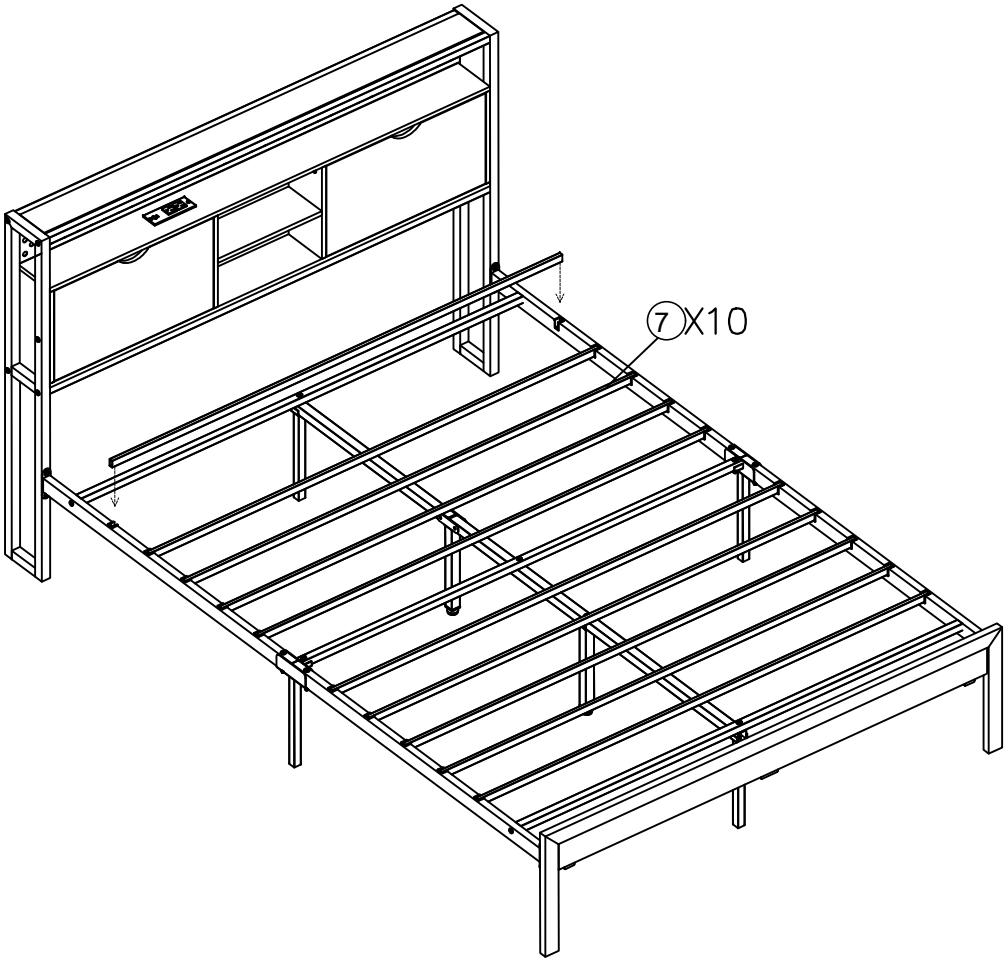


Step:15

B		M6x30mm	1
F		M8x35mm	1
G		M8x55mm	2
H		4#	1
I		5#	1

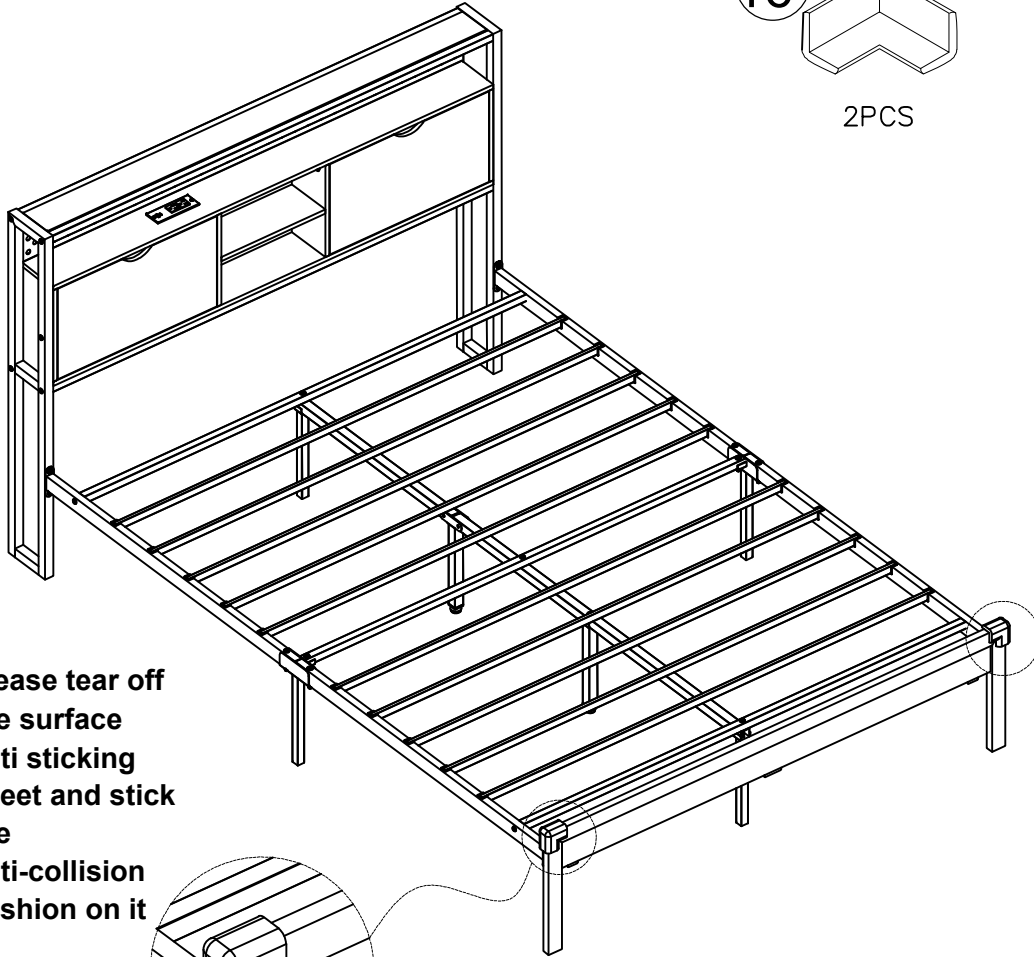
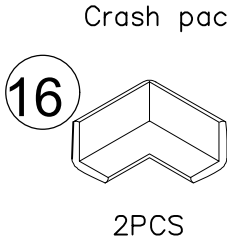


Step:16

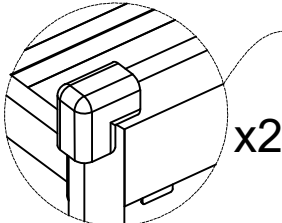


Step:17

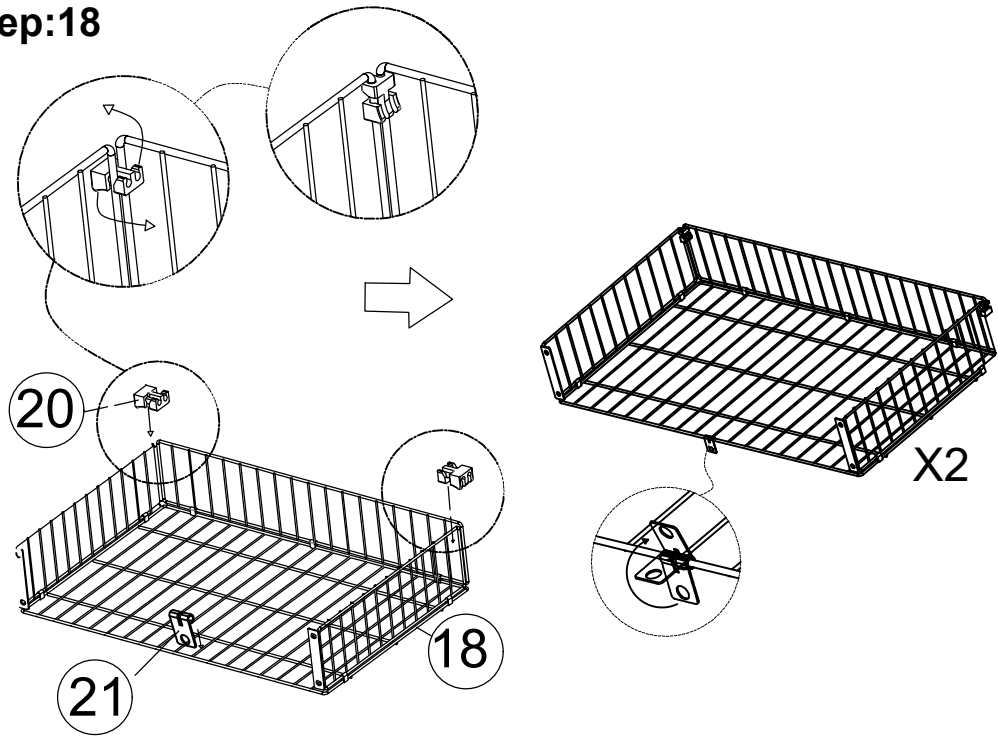
**There is a small sealing pocket in the package.
There are two crash pads in the sealing pocket.
As shown in the figure below.**



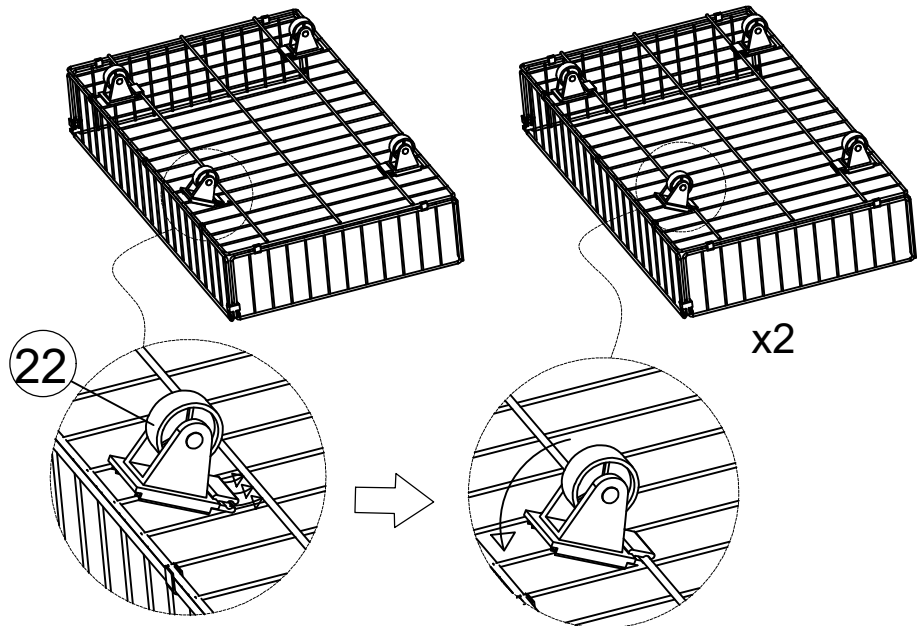
**Please tear off
the surface
anti sticking
sheet and stick
the
anti-collision
cushion on it**





Step:18



Step:19



Step:20

A		M6x12mm	10
H		4#	1

