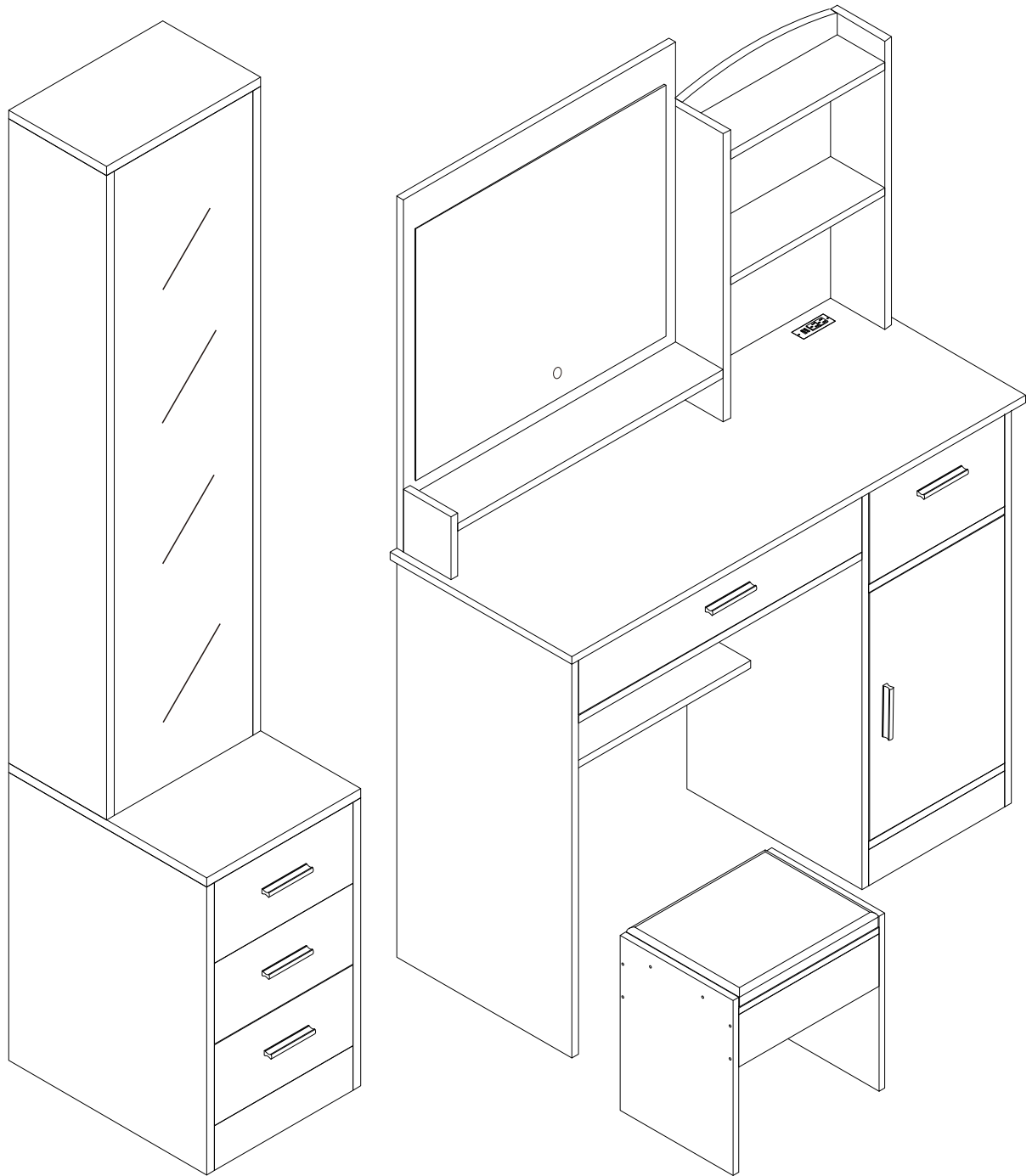


SKU:DSN041WN001A-1/DSN041WN001A-2 and DSN041BN002A-1/DSN041BN002A-2

20020



THANK YOU FOR CHOOSING US!

Your new dressing table has arrived and it will make your life so much easier. That's why we put so much effort into designing it to perfectly fit your needs.

But first things first, we need to install it!

When we say ¡° we¡±, we mean we're going to guide you, step by step. We created this instructions manual so that you won't feel overwhelmed and get your new table up and ready to use in no time! We also know that sometimes things just don't seem to fit, so don't hesitate to drop us a line at help@amrecianoffice.com if you have questions or need help!

Anyways, this table CAN'T WAIT To BE OF SERVICE so let's assemble it!

MISSING A PART? DON'T WORRY, WE GOT YOUR BACK!

Compare the sketch on the next page with your package. Are all the pieces there? However, sometimes errors happen, so if anything is missing just send us an email and we will make sure to fix it!

Before you start, here are a few quick pointers:

The installation requires two people. so call a friend to join the fun!

For more stability, it's best to anchor the cabinet to the wall.
In this case, along with the items provided you will also need a Level, Percussion Drill and a Hammer



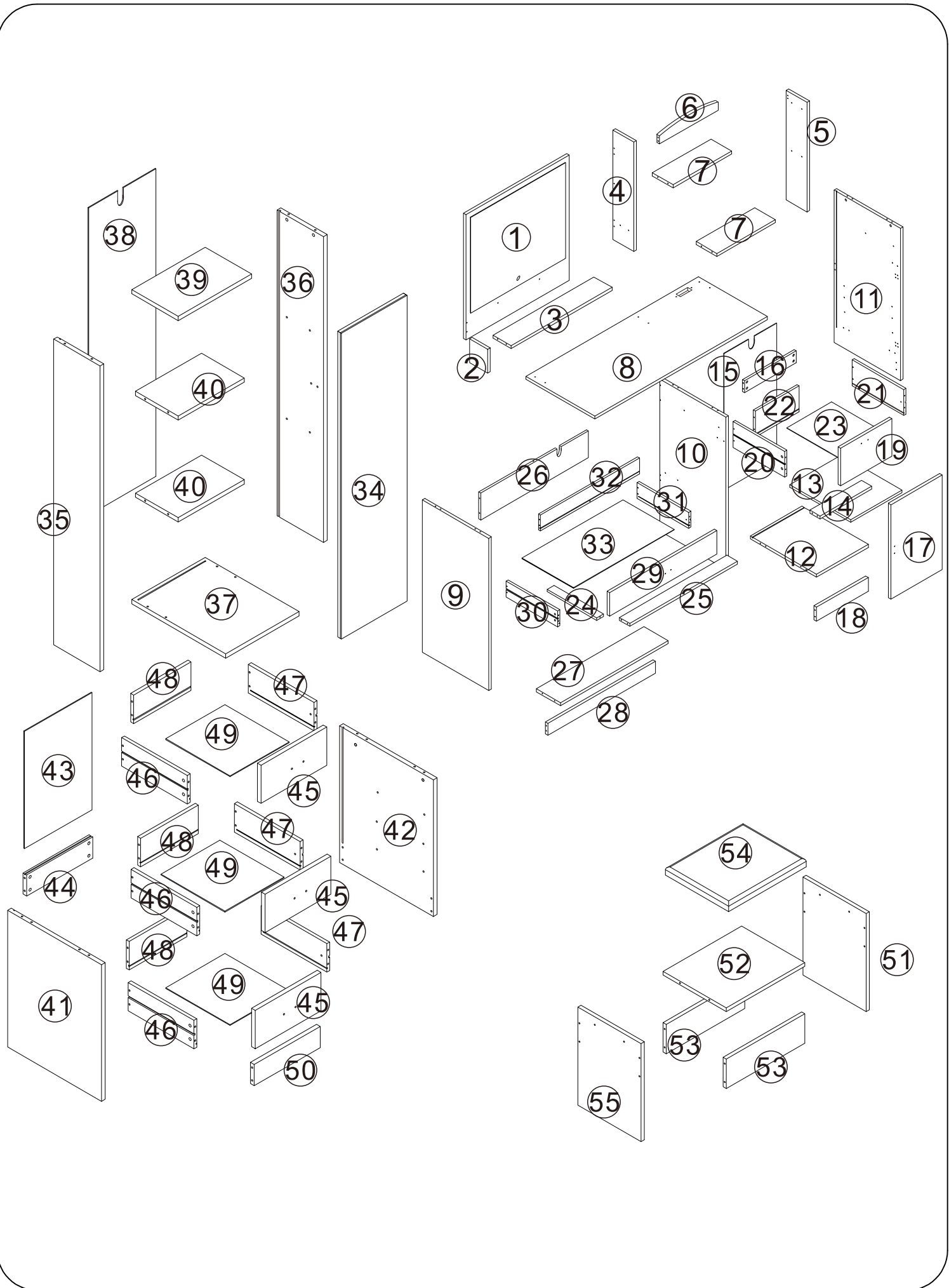
**SUGGEST
2 PEOPLE**



**TOOLS
REQUIRED**



**WE ARE
GLAD TO
HELP**



SKU:DSN041WN001A-1 /DSN041BN002A-1 panels list

BOX 1-2 1×1	3×1	4×1
5×1	12×1	13×1
16×1	18×1	19×1
23×1	33×1	37×1
39×1	41×1	42×1
44×1	49×3	50×1
51×1	52×1	53×2
54×1	55×1	

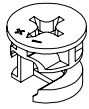
BOX 2-2	2 x1	6 x1	7 x2
	8 x1	9 x1	10 x1
	11 x1	14 x1	15 x1
	17 x1	20 x1	21 x1
	22 x1	24 x1	25 x1
	26 x1	27 x1	28 x1
	29 x1	30 x1	31 x1
	32 x1	34 x1	35 x1
	36 x1	38 x1	40 x2
	43 x1	45 x3	46 x3
	47 x3	48 x3	

Fittings

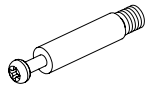
Please check that you have all the fittings listed below:

NOTE: The quantities below are the correct amount to complete the assembly. In some cases more fittings may be supplied than required.

BOX-2



Ax99



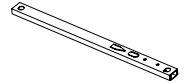
Bx99



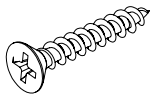
Cx20



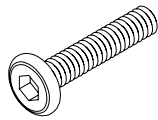
Dx23



Ex10



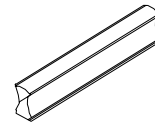
Fx38



Gx12



Hx12



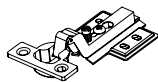
Ix6



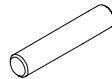
Jx10



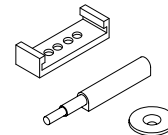
Kx32



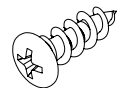
Lx5



Mx5



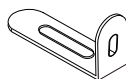
Nx1



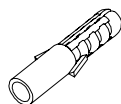
Ox5



Px6



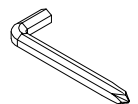
Qx3



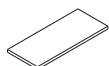
Rx3



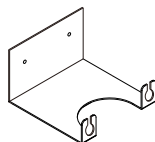
Sx1



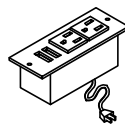
Tx1



Ux4

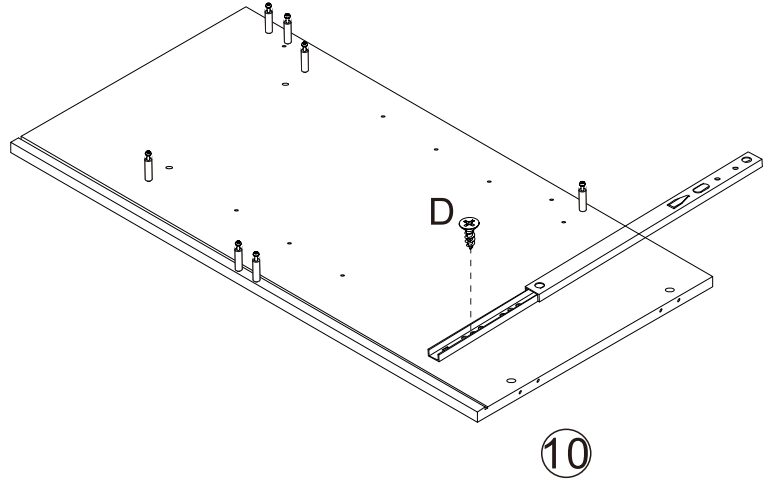
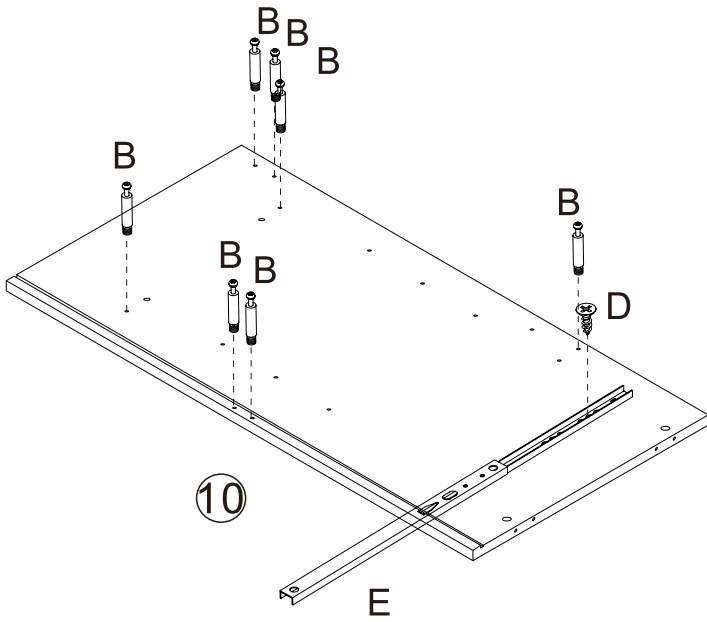
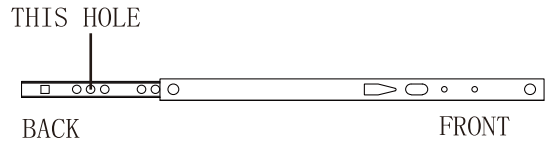
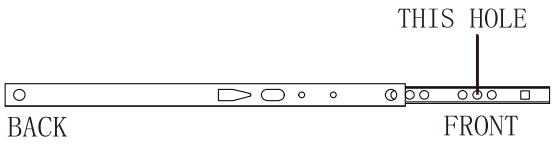


Vx1






Wx1

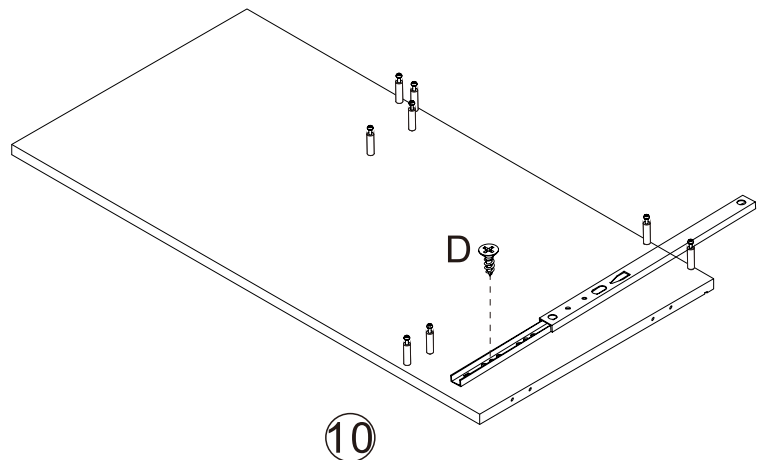
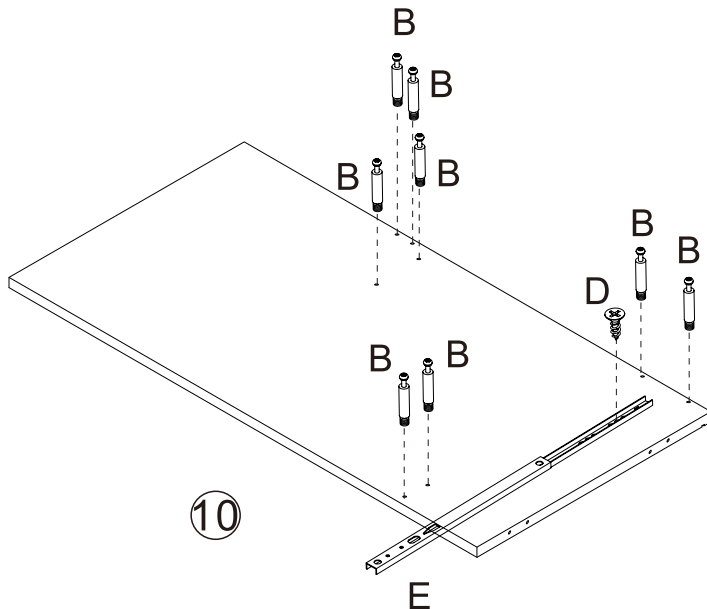
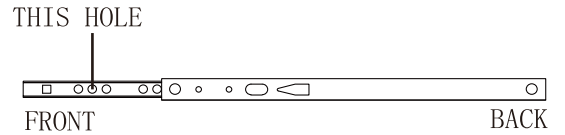
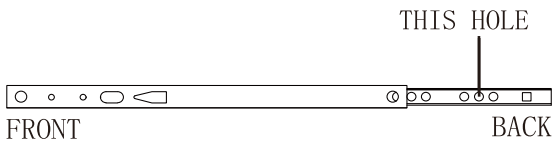
1






Fix drawer slider E to part 10 with screw D. Screw hardware B to part 10
 Repeat the step in the part 10 another side again.
 Repeat the step in the part 11 and part 9.

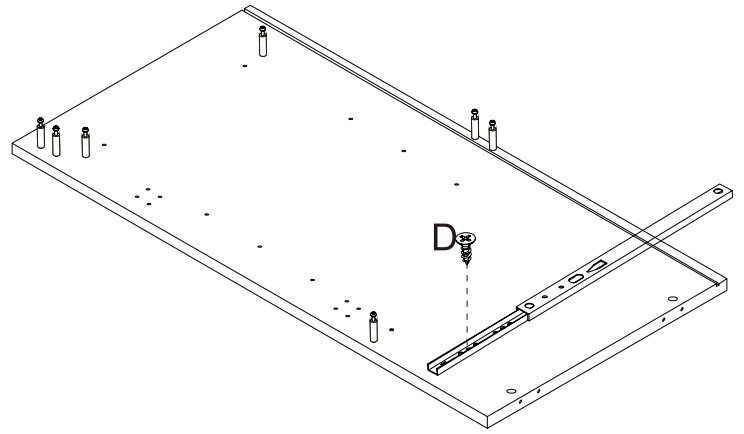
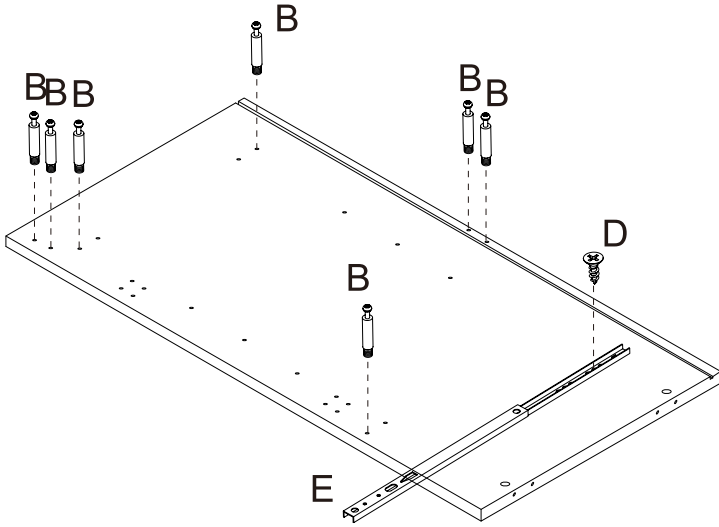
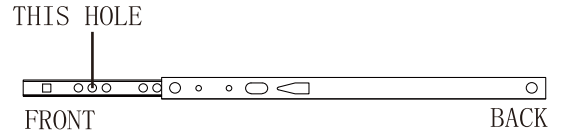
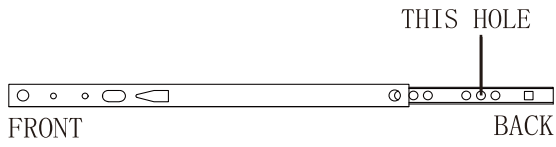
-  Bx7
-  Dx2
-  Ex1

2






-  Bx8
-  Dx2
-  Ex1

3

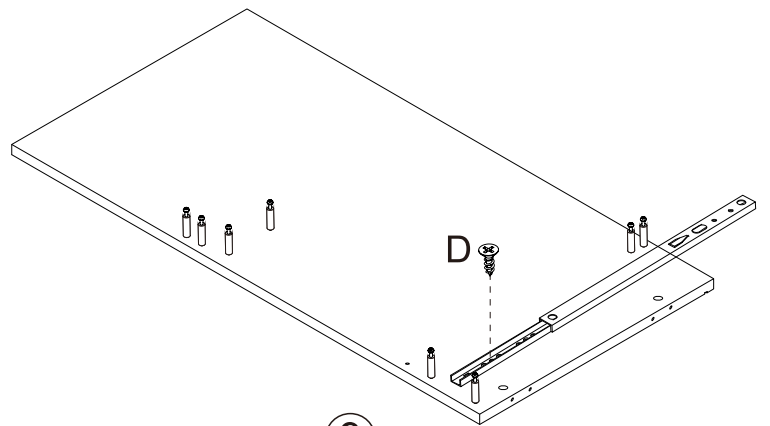
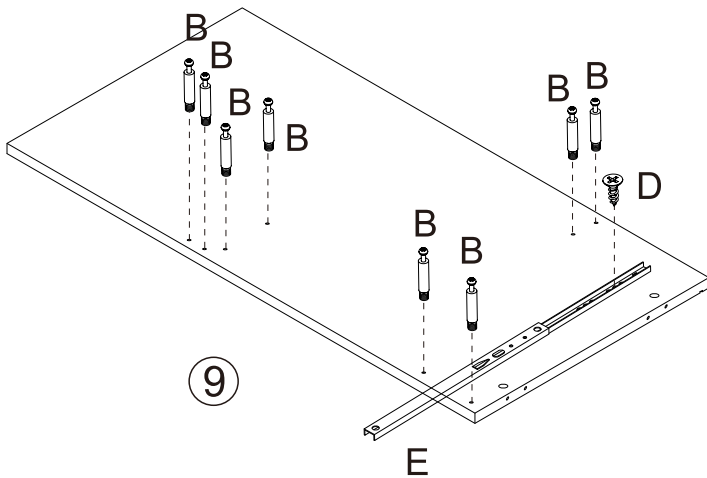
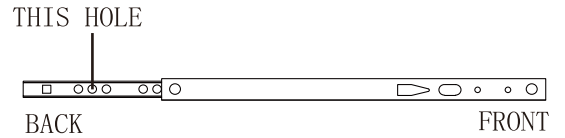
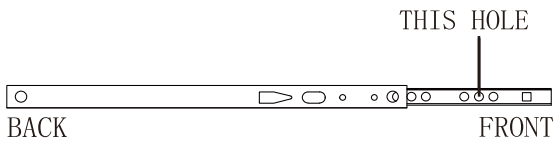


11

11

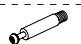


-  Bx7
-  Dx2
-  Ex1

4

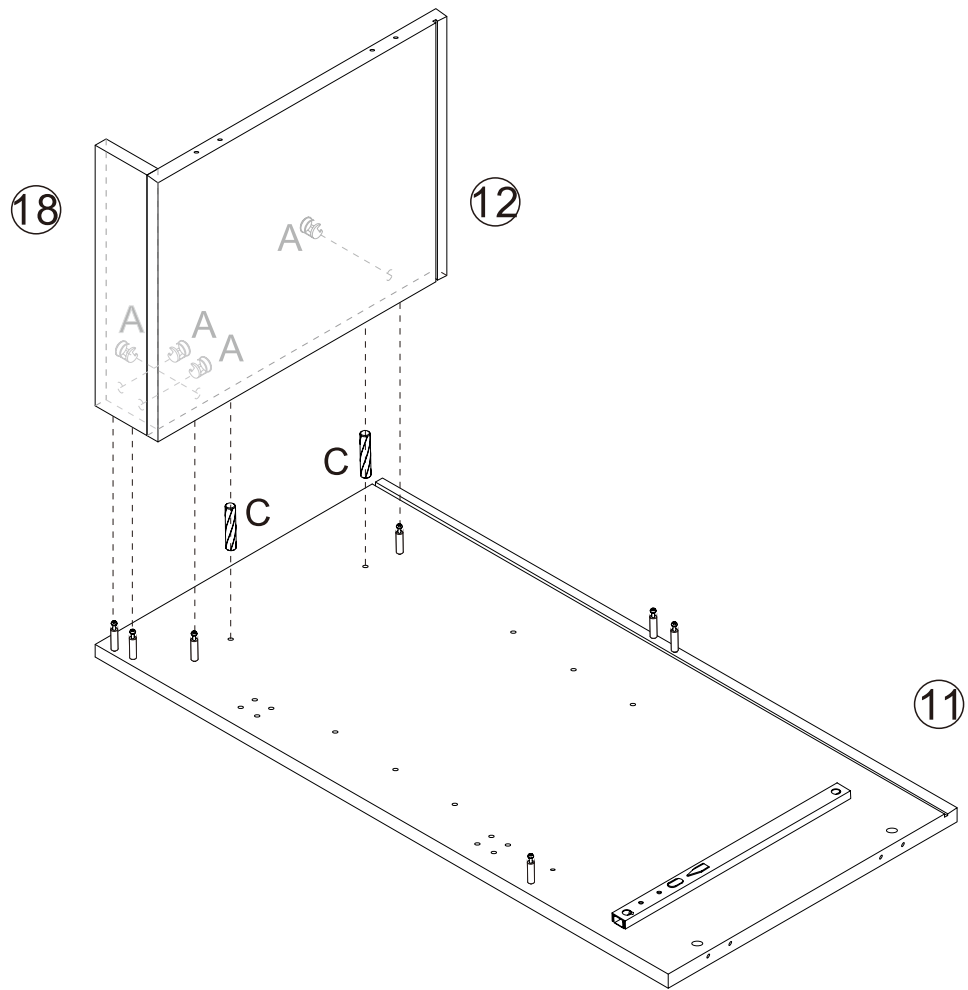


9

9

-  Bx8
-  Dx2
-  Ex1

5



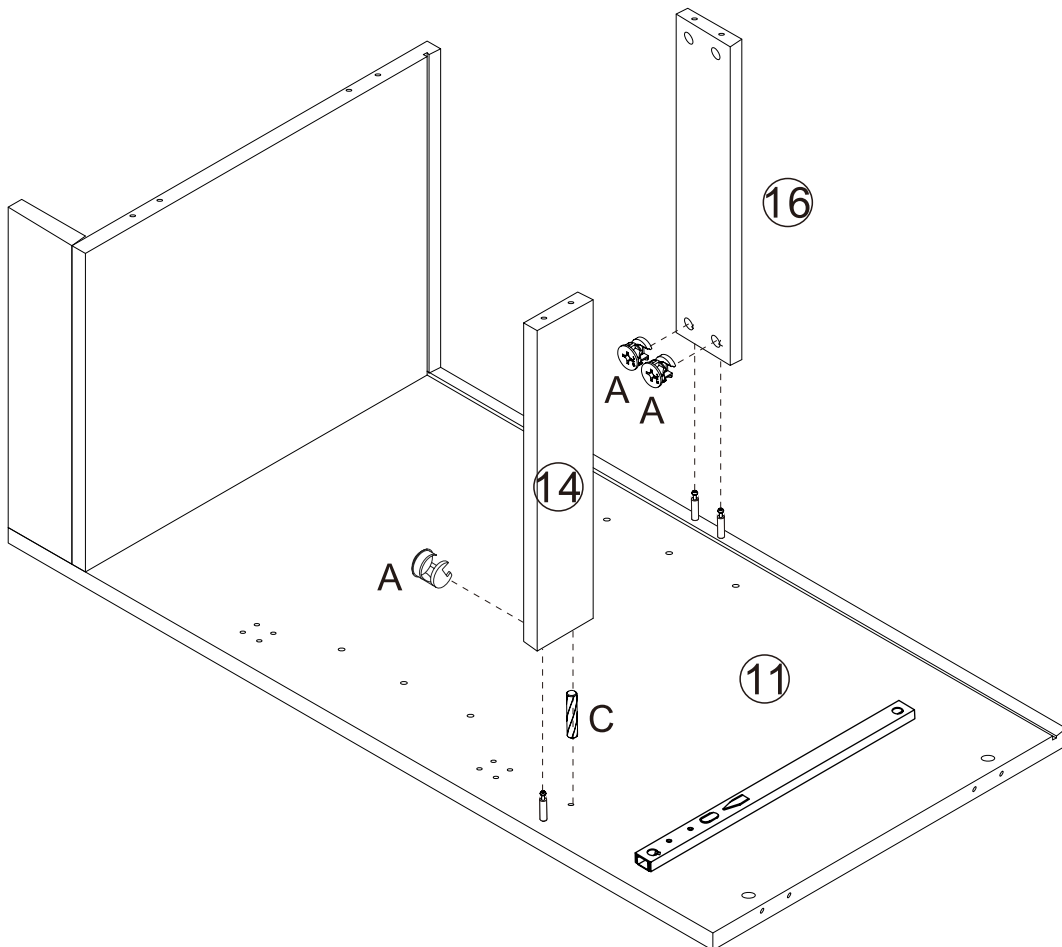
Ax4



Cx2

Fix part 12/18 to part 11 with hardware A/C.

6



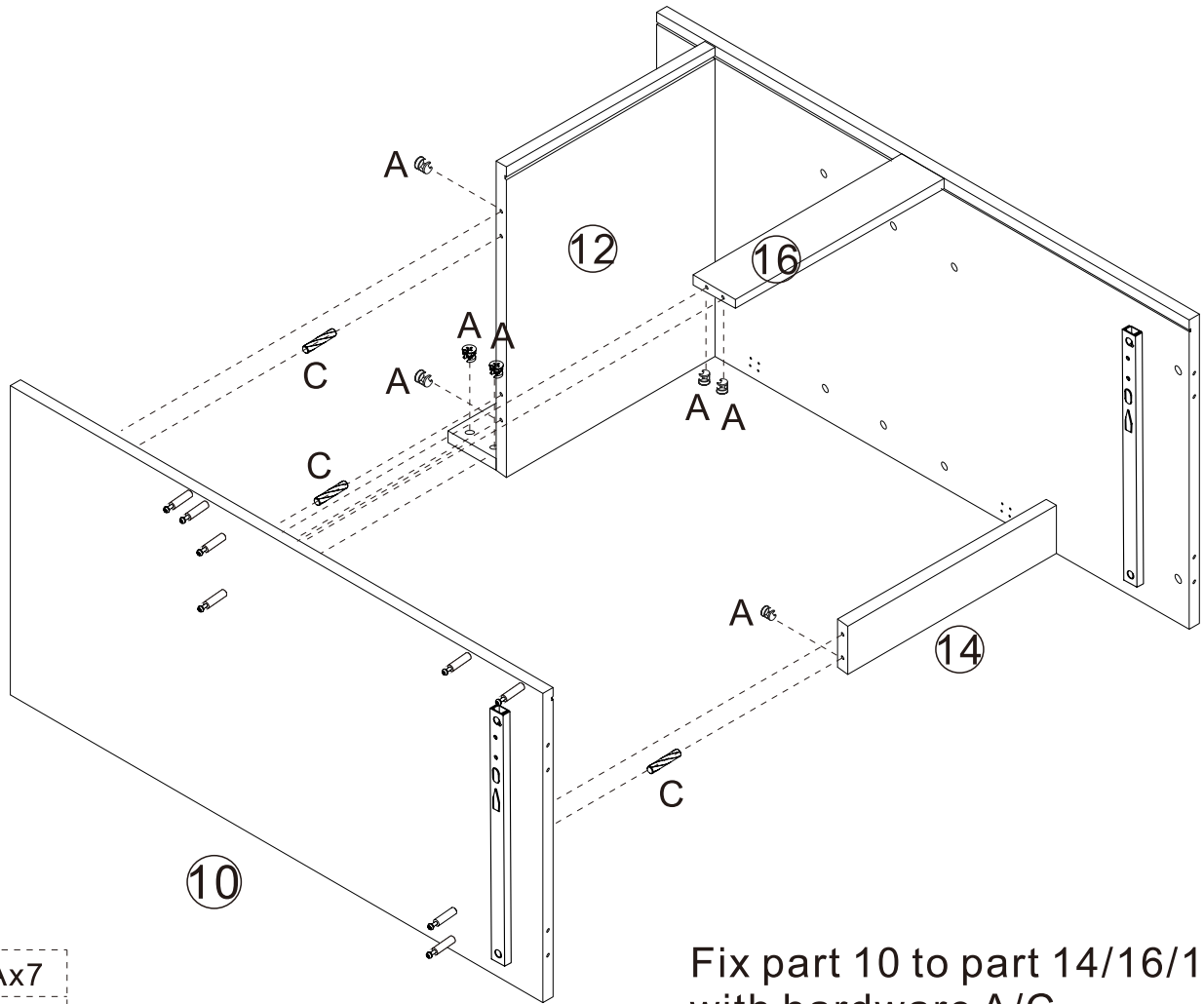
Ax3



Cx1

Put hardware C to part 11, then fix part 14/16 to part 11 with hardware A.

7



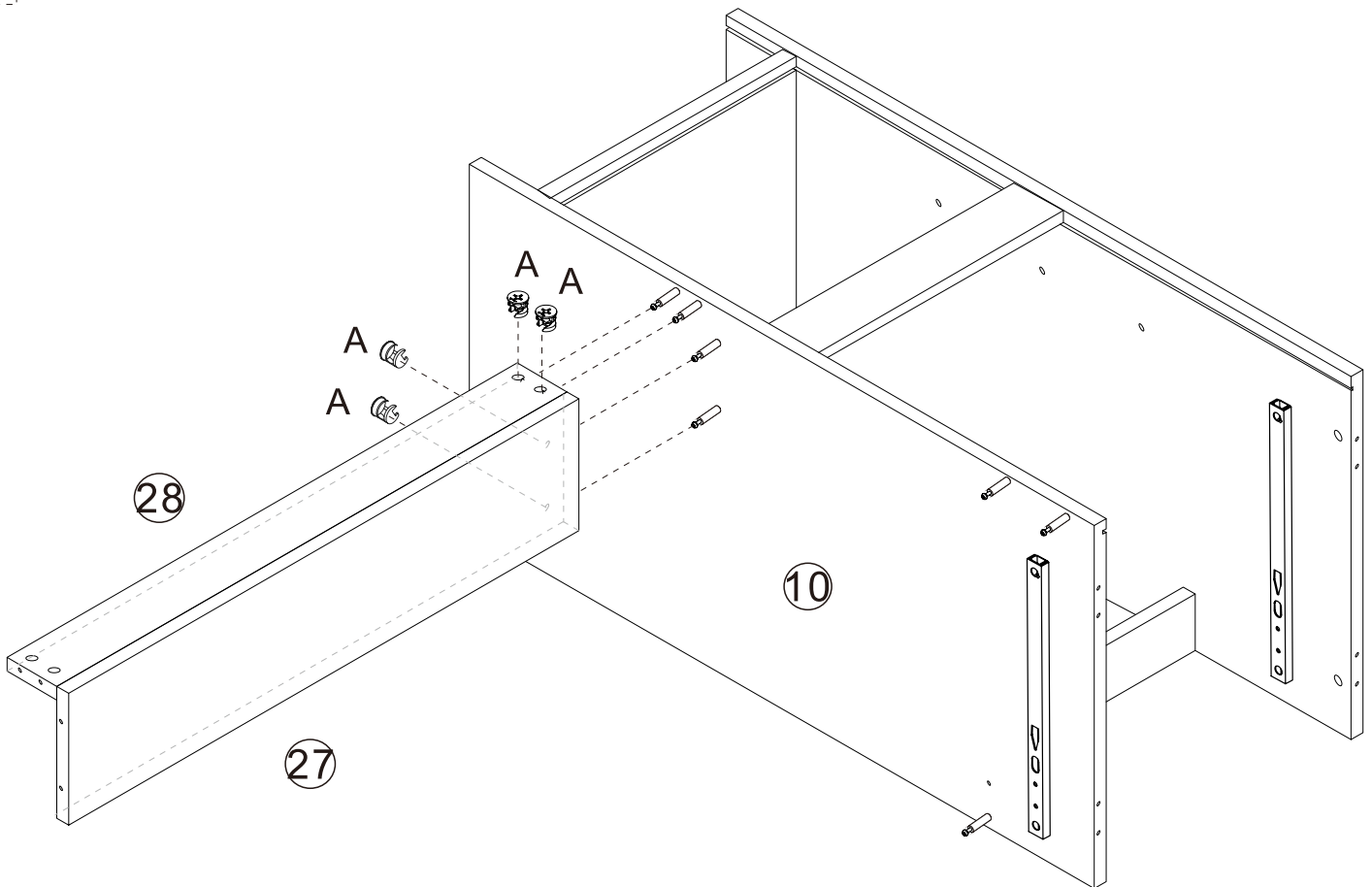
Ax7



Cx3

Fix part 10 to part 14/16/12/18 with hardware A/C.

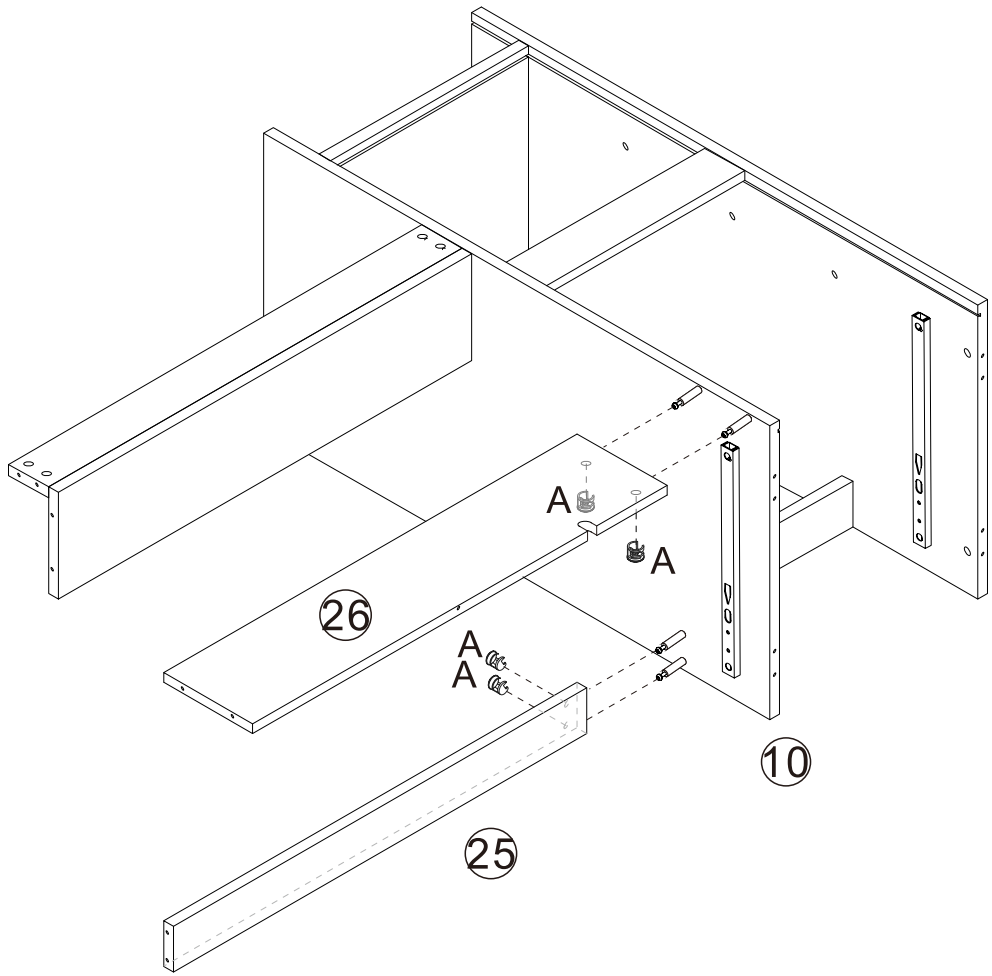
8



Ax4

Put part 27/28 to part 10 and fix with hardware A.

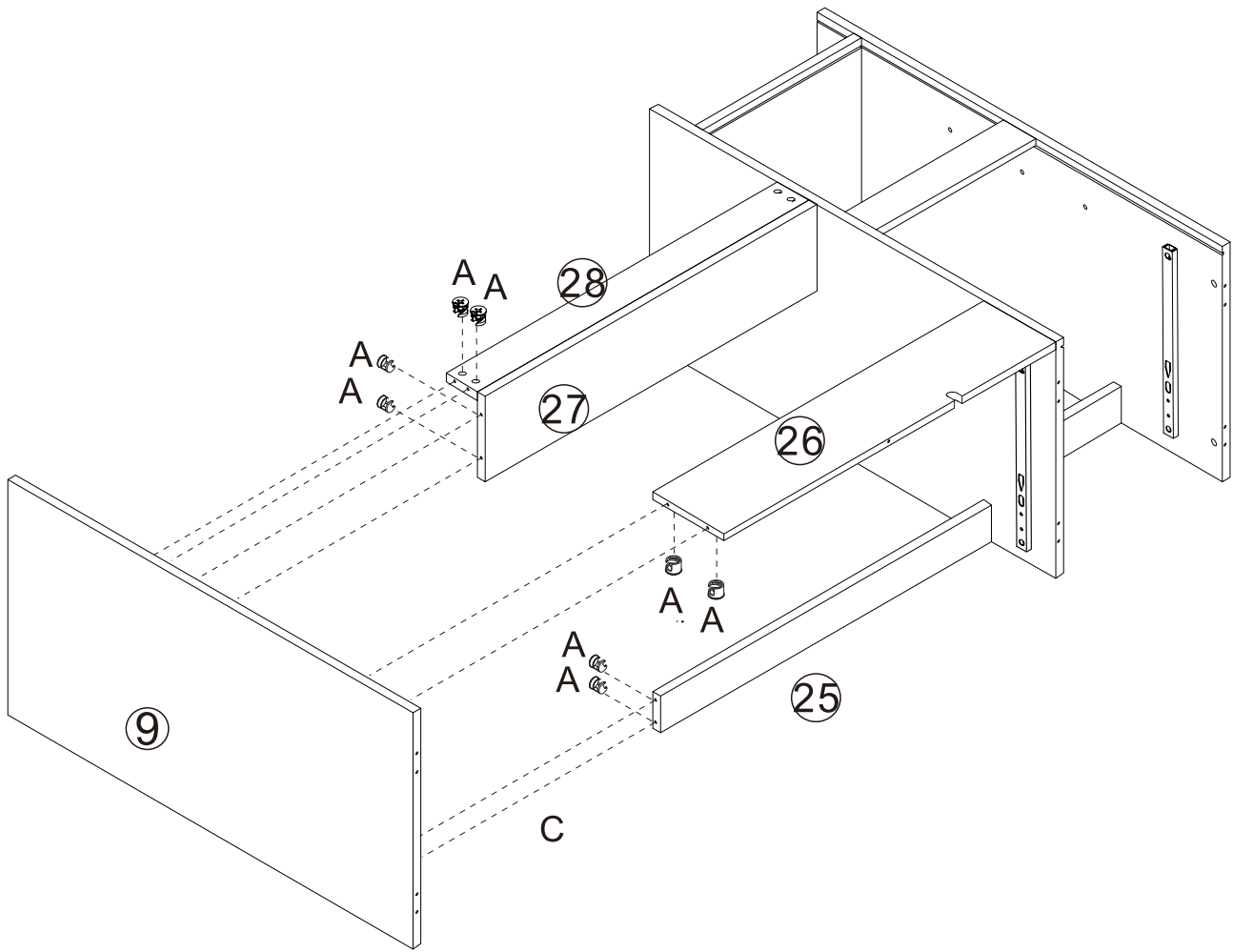
9



Ax4

Put part 25/26 to part 10 and fix with hardware A.

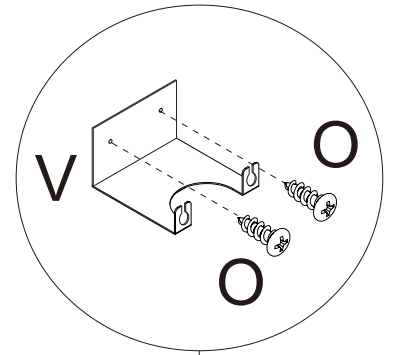
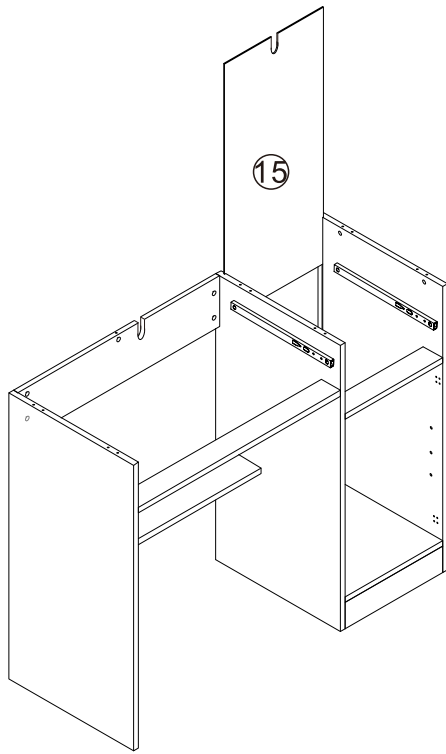
10



Ax8

Fix part 9 to part 25/26/27/28 with hardware A.

11



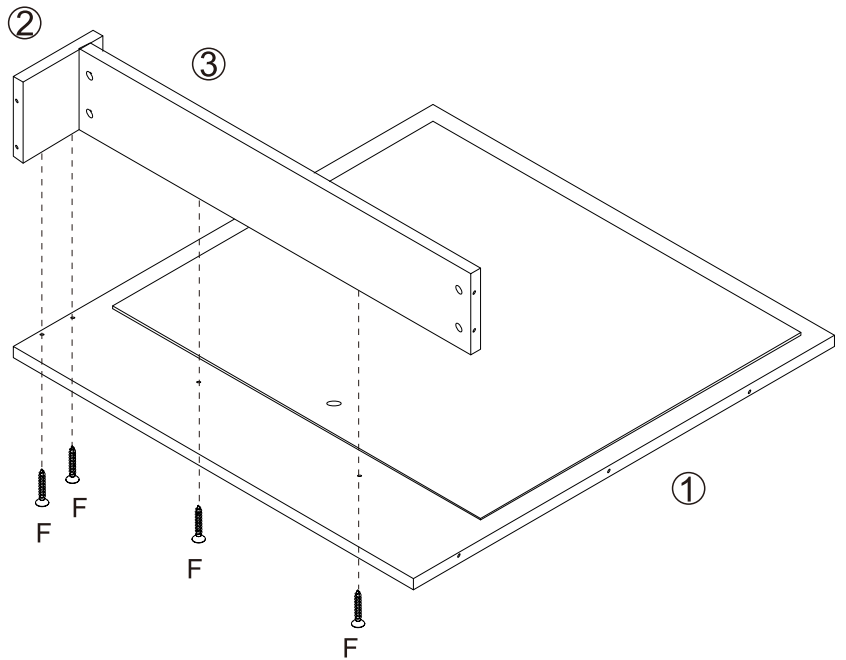
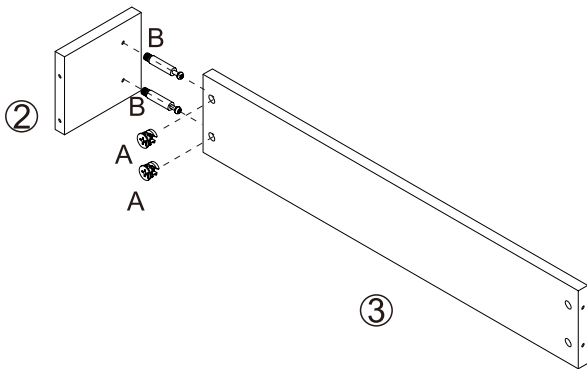
Connect Hardware V to Part 11 with Screw O.
Put part 15 to kerf of part 10/11/12.



Ox2

Vx1

12



Ax2



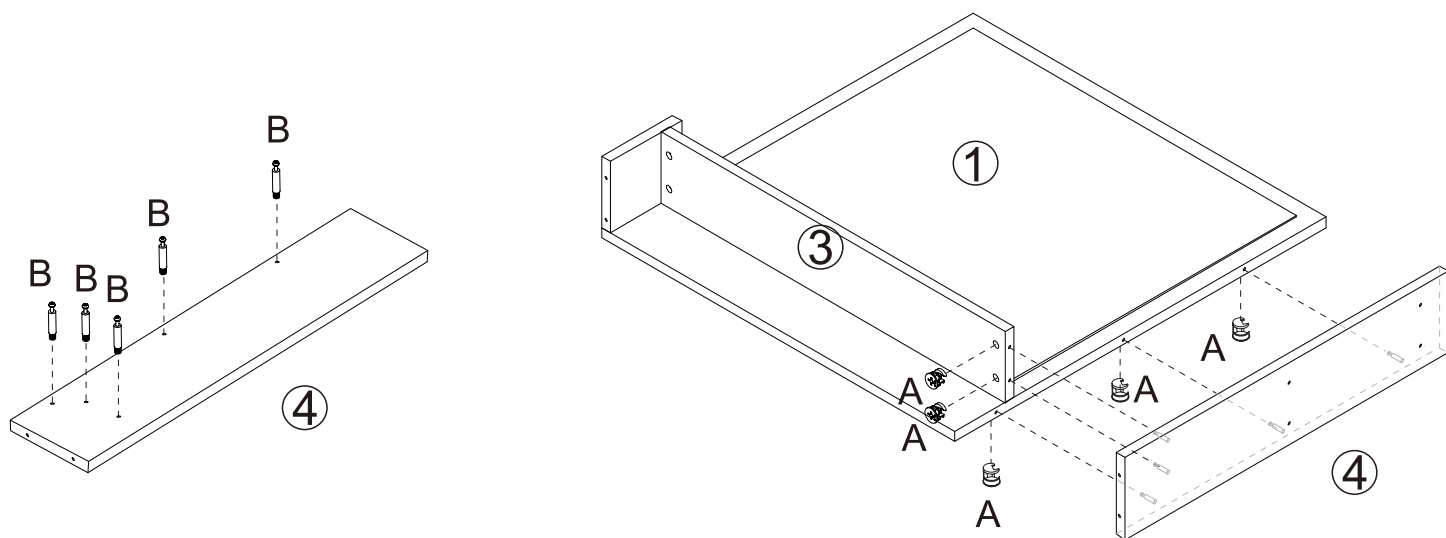
Bx2



Fx4

Connect part 2 to part 3 with hardware A/B.
Fix part 2/3 to part 1 with screw F.

13



Fix hardware B to part 4 and connect to part 1/3 with hardware A.

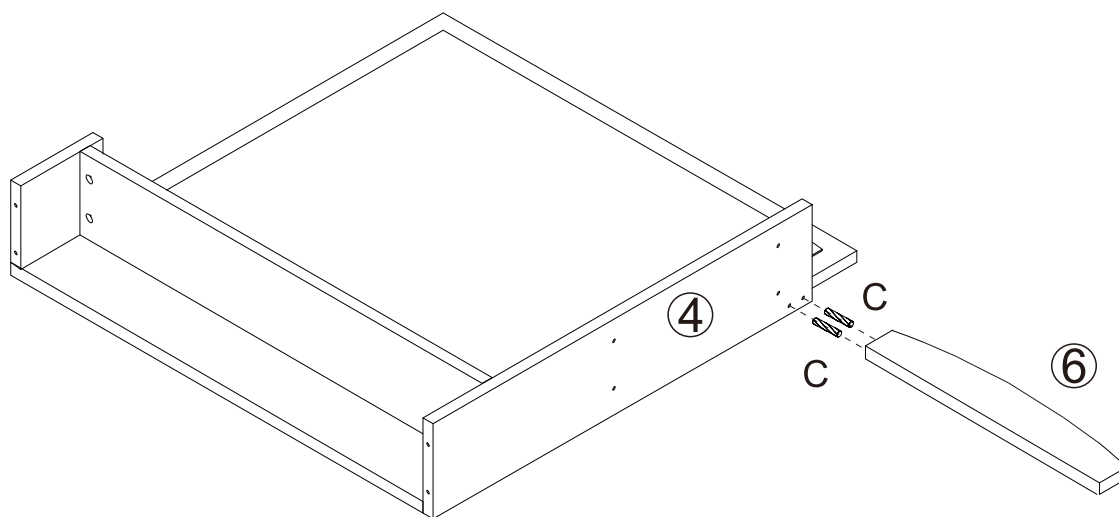


Ax5



Bx5

14

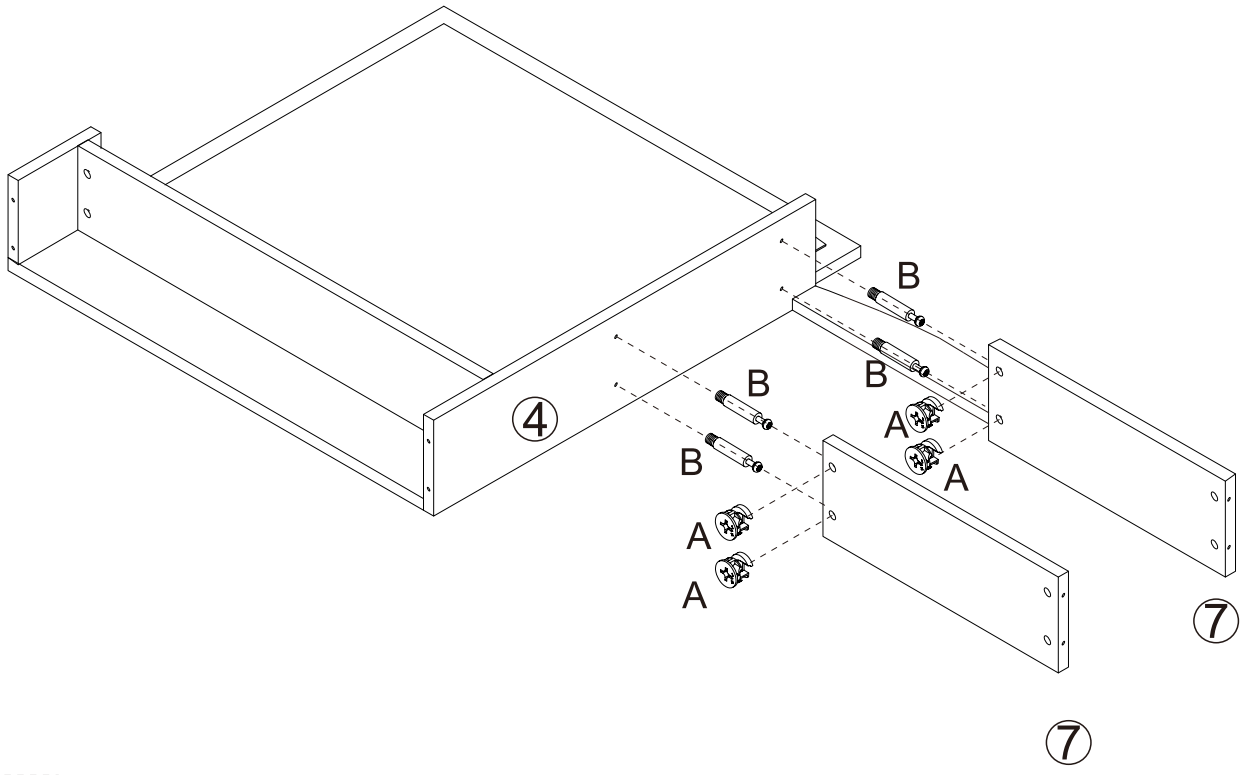




Fix part 6 to part 4 with hardware C.



Cx2

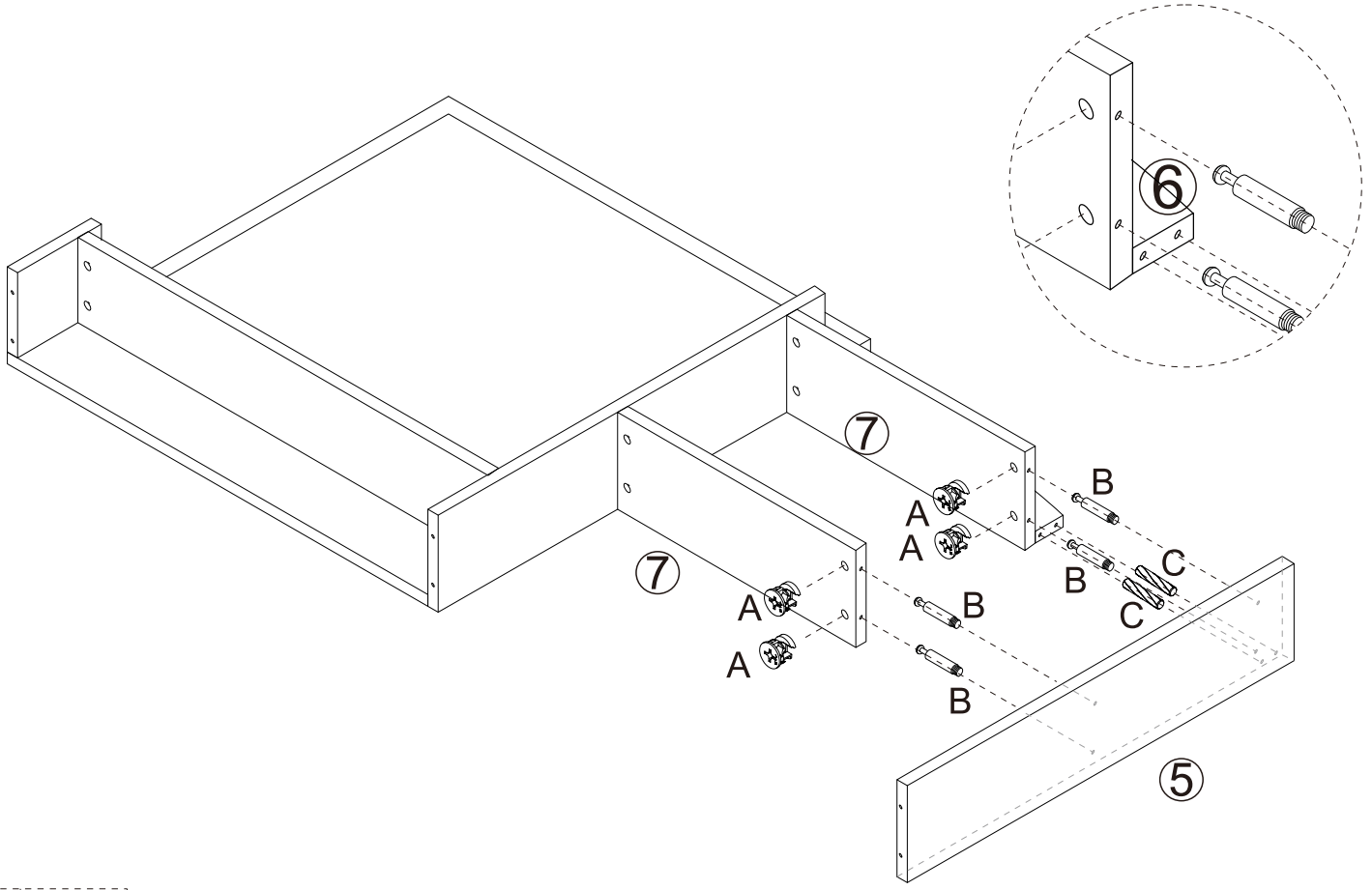
15






- | | |
|---|-----|
|  | Ax4 |
|  | Bx4 |

Fix parts 7 to part 4 with hardware A/B.

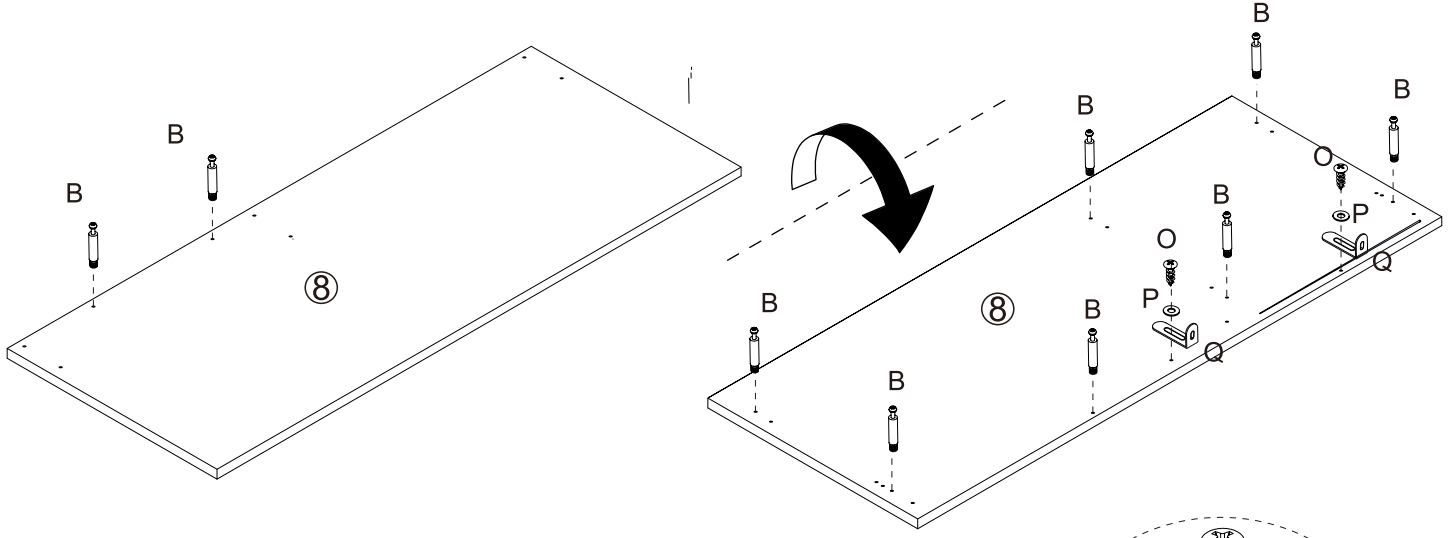
16



- | | |
|---|-----|
|  | Ax4 |
|  | Bx4 |
|  | Cx2 |

Fix part 5 to part 7/6 with hardware A/B/C.

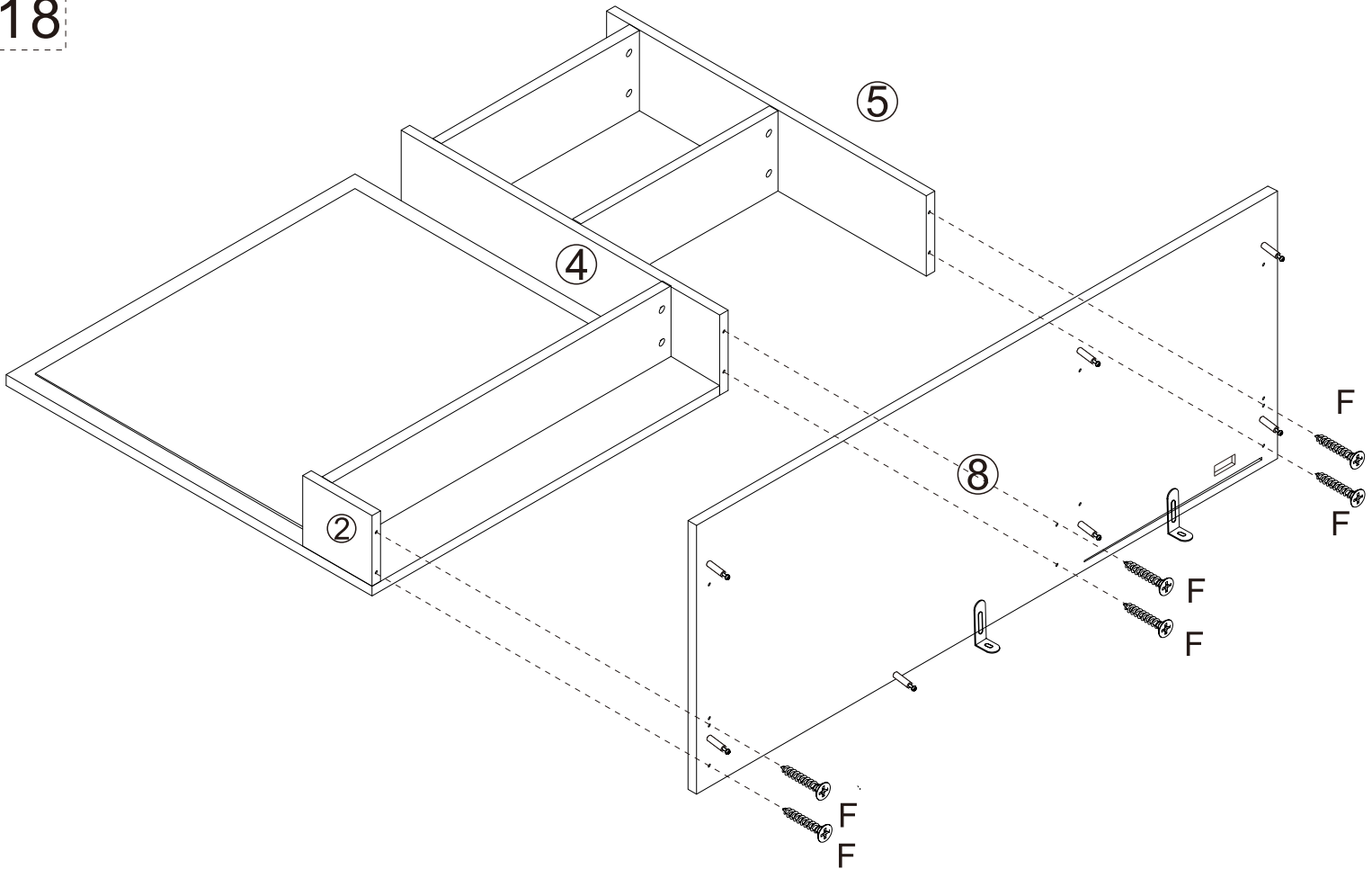
17



Screw hardware B to part 8 .Fix part Q to part 8 with hardware P/O.

- | | | | |
|--|-----|--|-----|
| | Bx9 | | Qx2 |
| | Ox2 | | |
| | Px2 | | |

18



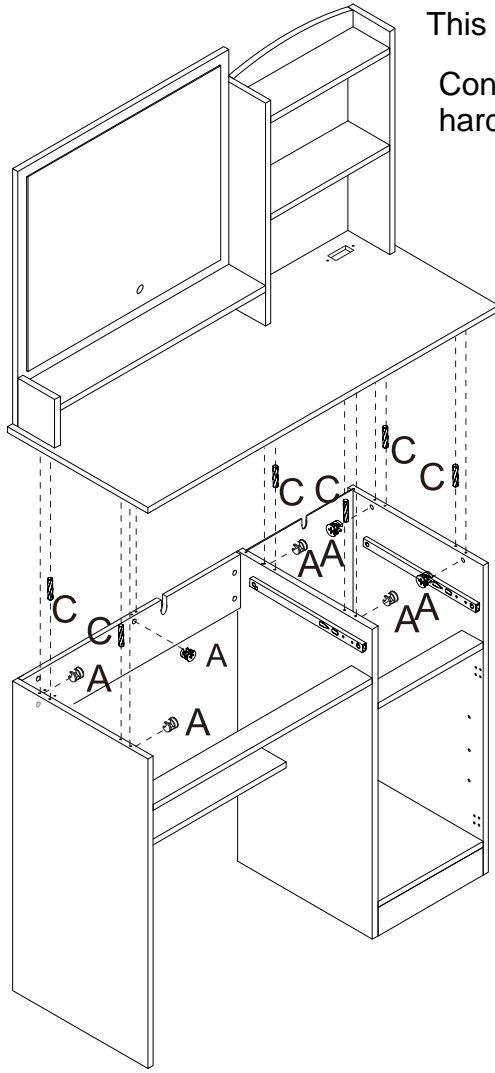
Connet part 8 to part 2/4/5 with screw F





- | | |
|--|------|
| | Fx 6 |
|--|------|

19

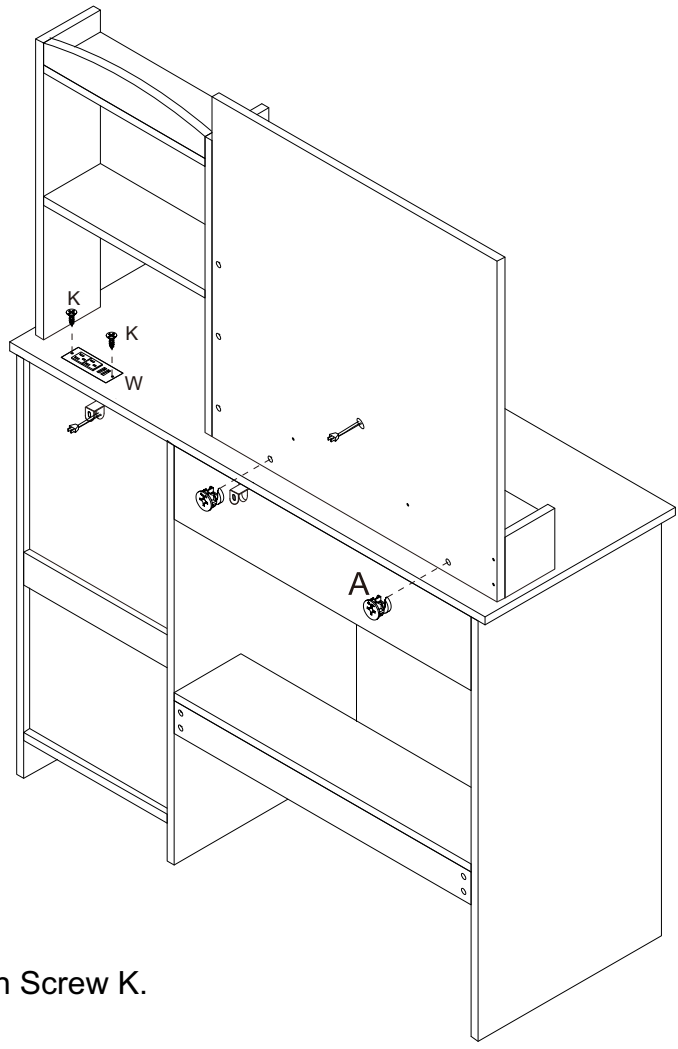
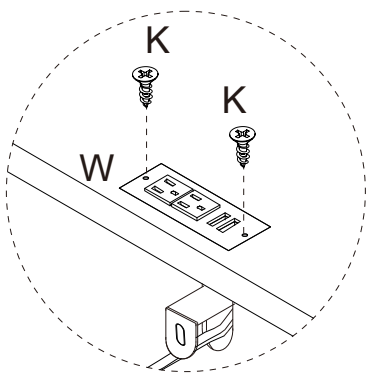
This step to be accomplished by two persons.

Connect part 8 to part 9/10/11/15/2 with hardware A/C.



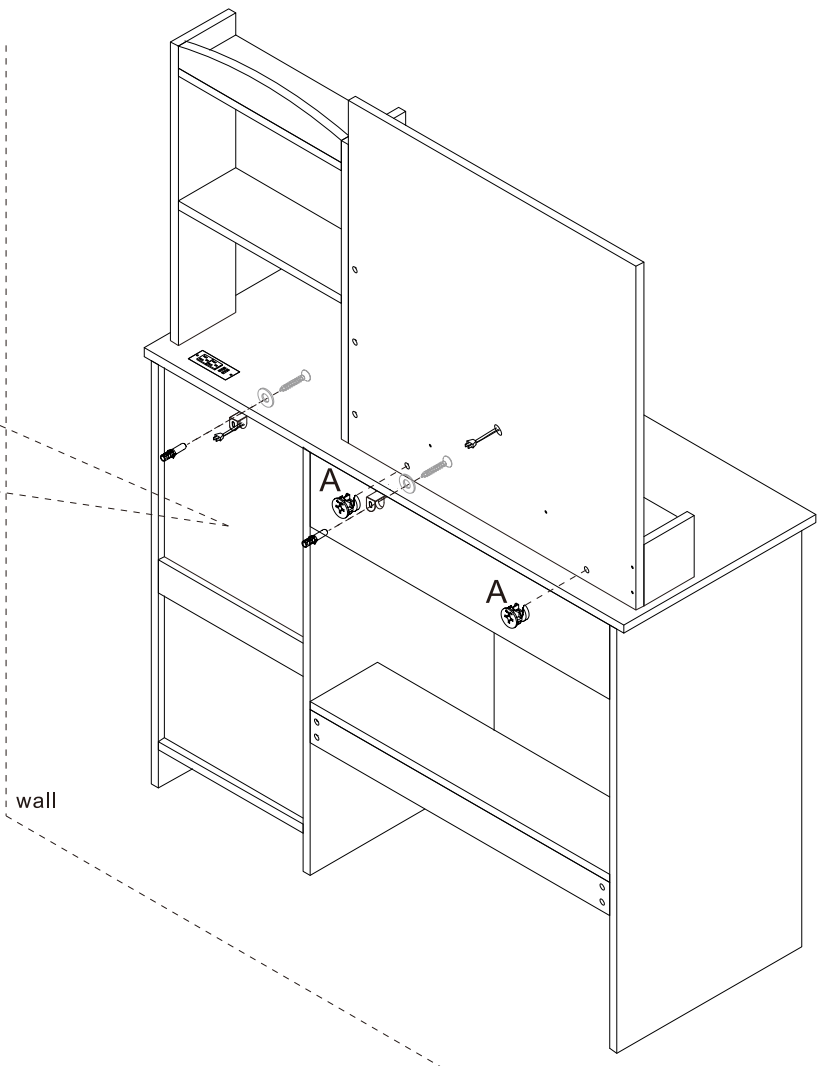
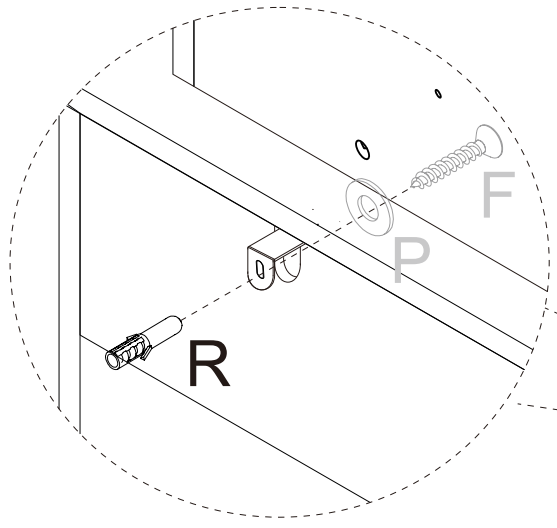
	Ax7
	Cx6
	Wx1
	Kx2

20







Connect Hardware W to Part 8 with Screw K.

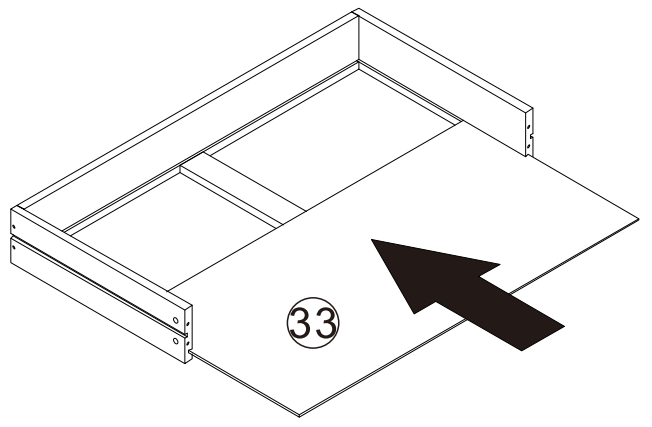
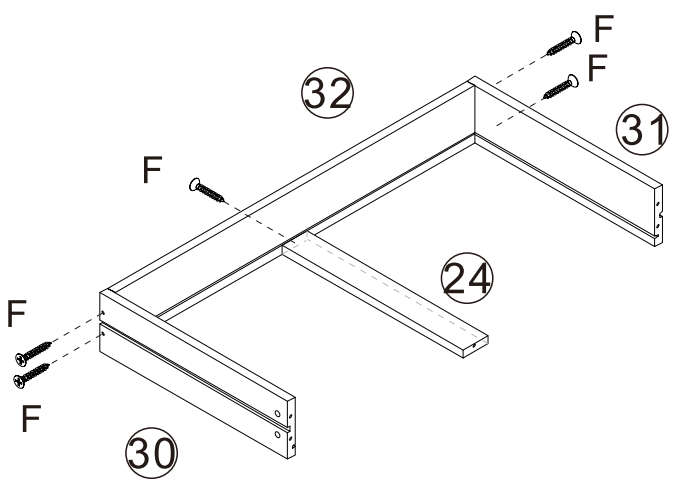
21



This is anti-topple kit setting which fix the product to the wall and it will be used or not follow your needs. If it is a solid wall, please use expansion and self-tapping screws. If it is a wooden wall, only use self-tapping screws. Please don't overtighten the screws.

	Ax2
	Fx2
	Px2
	Rx2

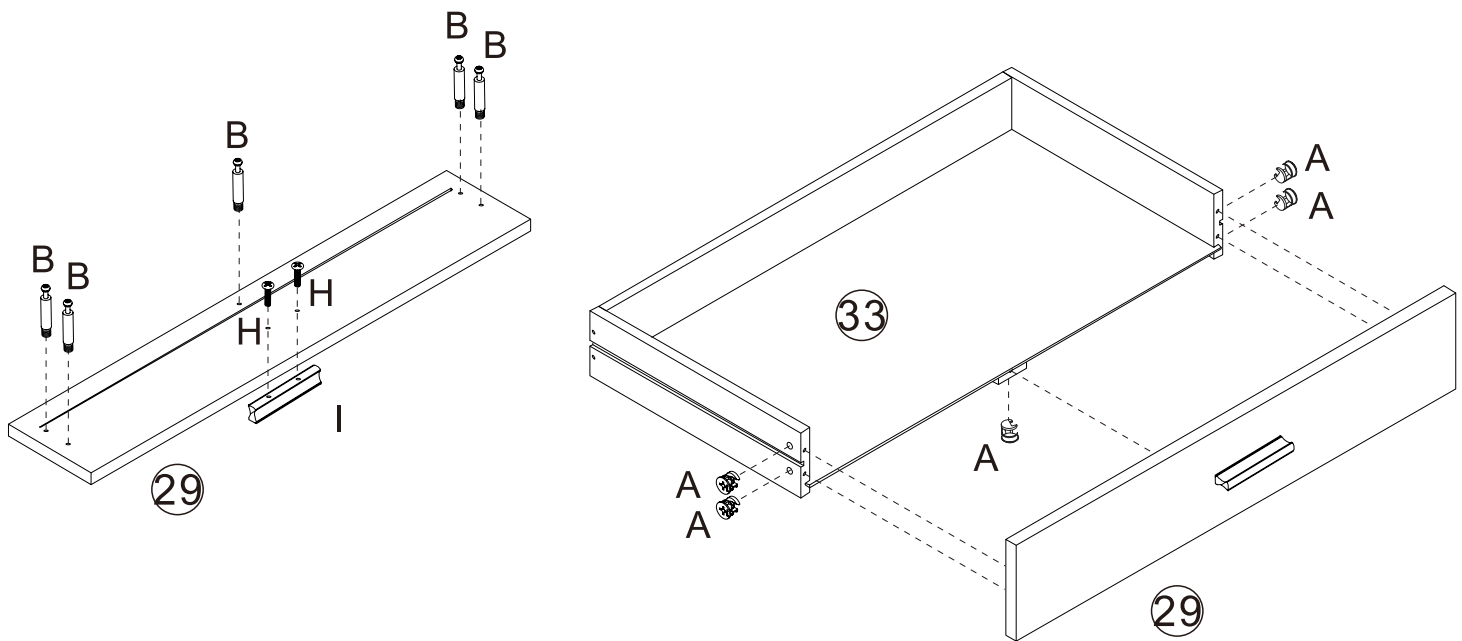
22




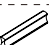


Fix part 24/30/31 to part 32 with screw F. Put part 33 to kerve of part 30/31/32.

	Fx5
--	-----

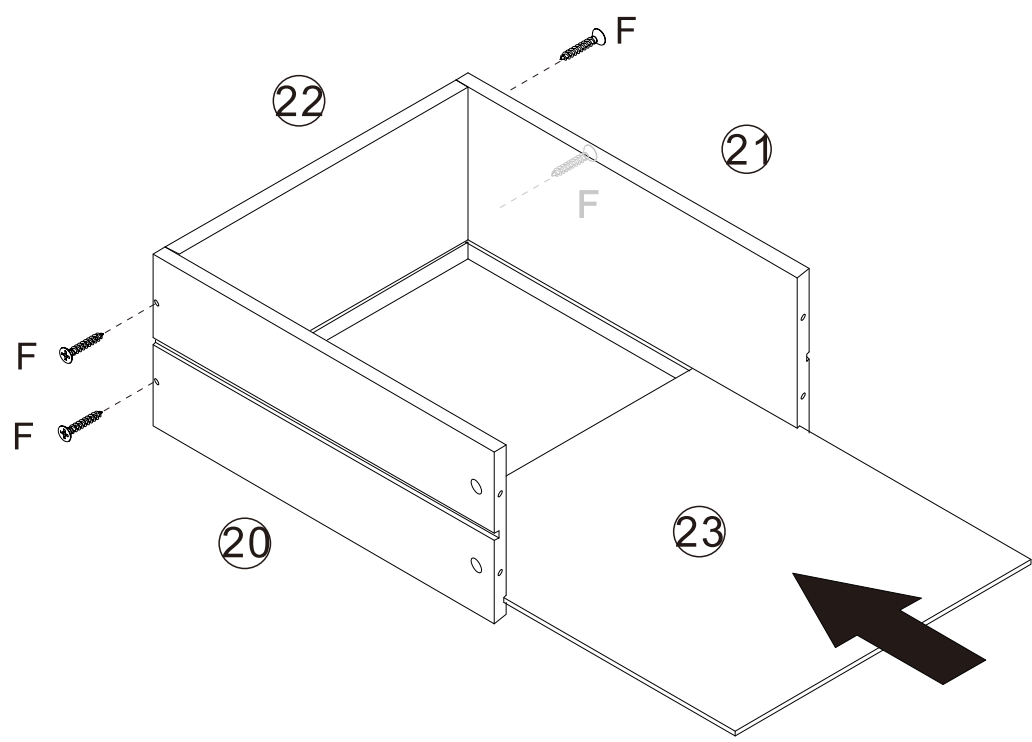
23



	Ax5
	Bx5
	Hx2
	Ix1

Screw hardware B to part 29 .Fix handle I to part 29 with screw H.Connect part 29 to part 24/30/31 with hardware A.

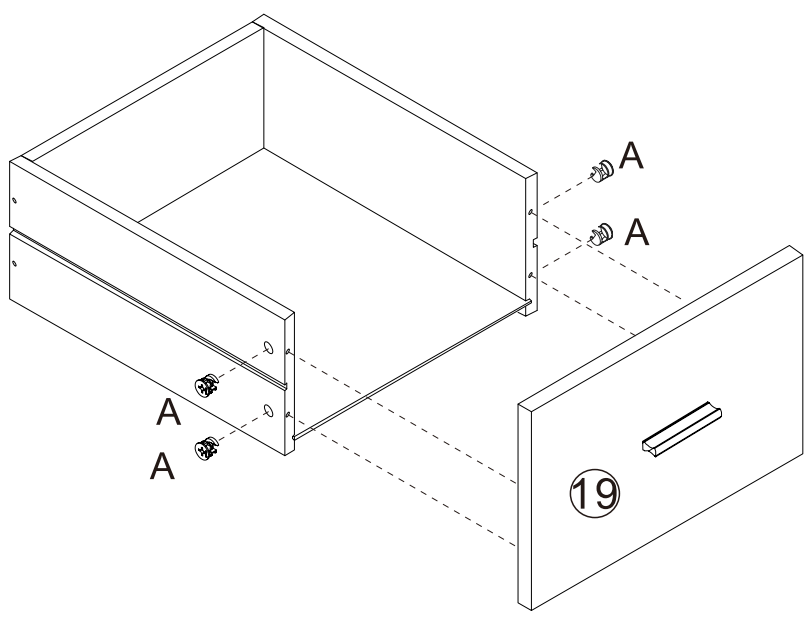
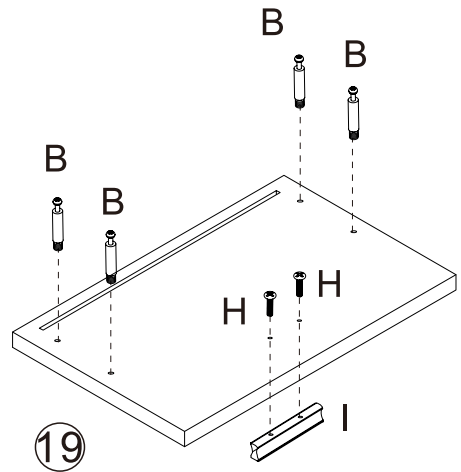
24







Connect part 20/21 to part 22 with screw F. Put part 23 to kerve of part 20/21/22.

	Fx4
--	-----

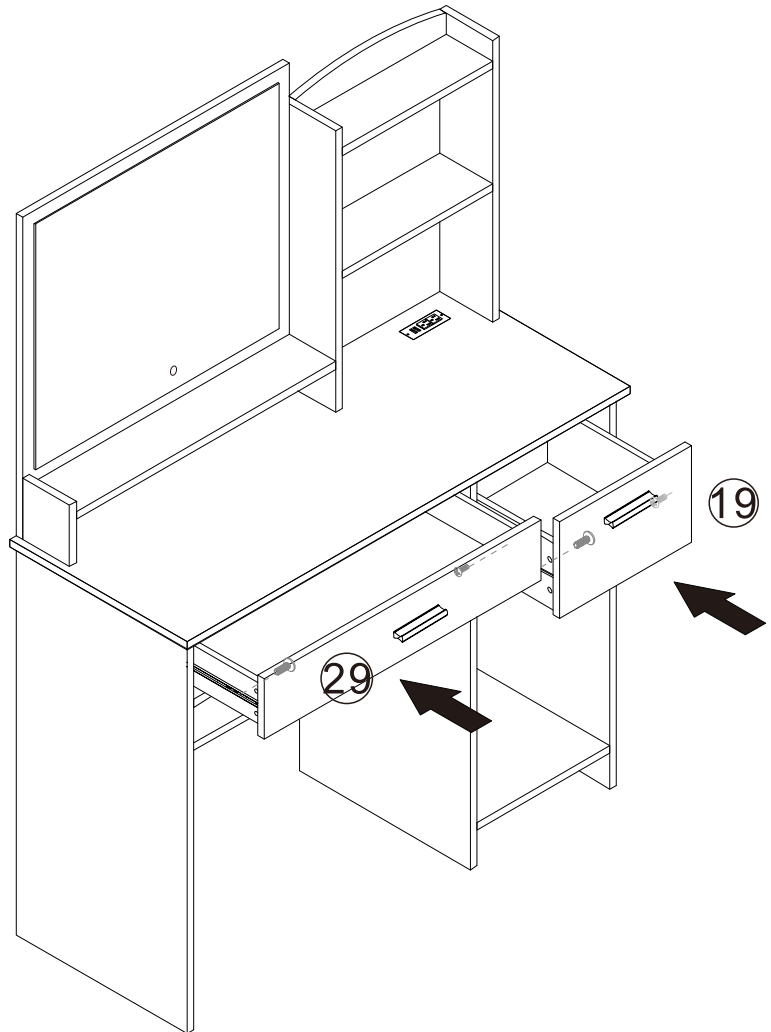
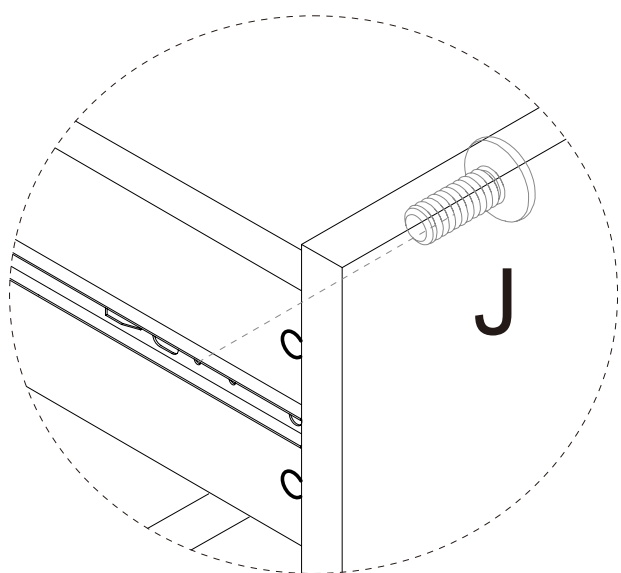
25



	Ax4
	Bx4
	Hx2
	Ix1

Screw B to part 19. Fix handle I to part 19 with screw H. Connect part 19 to part 20/21 with hardware A.

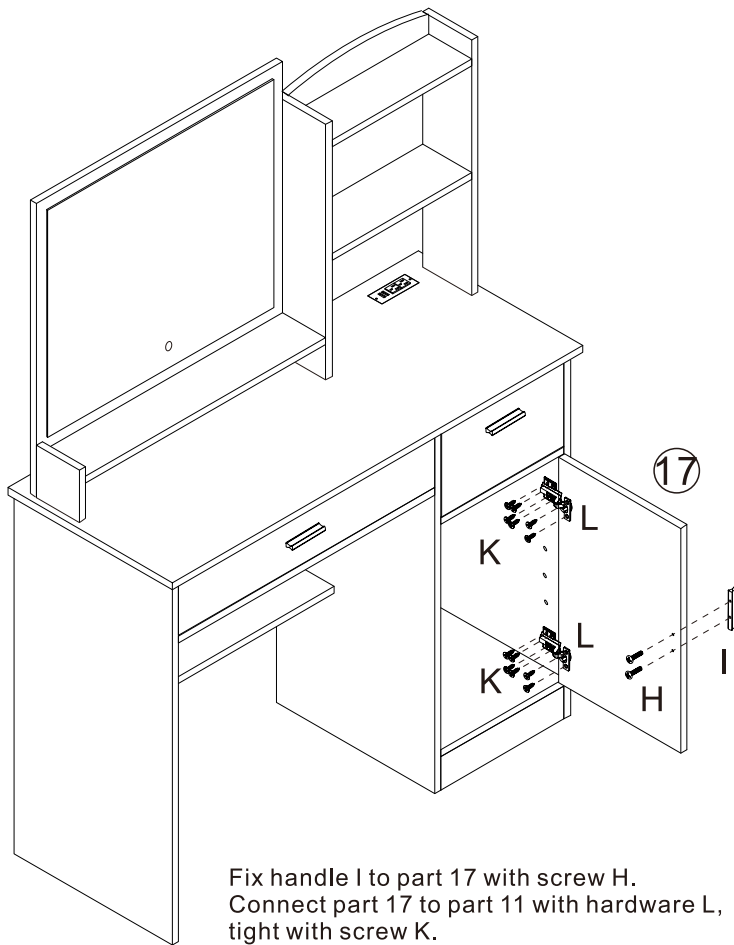
26



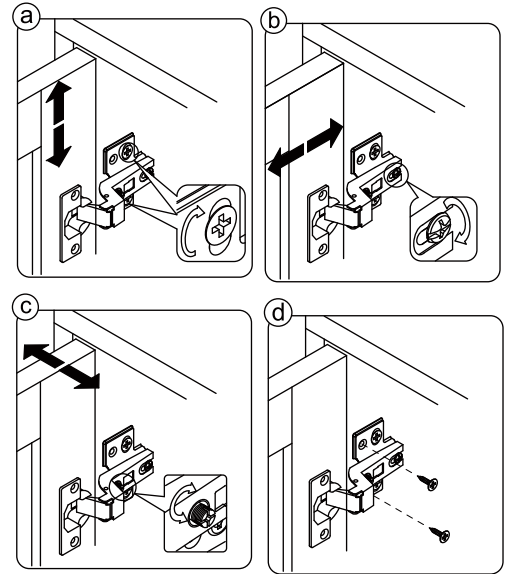
Put drawers to frame and fix with screw J.

	Jx4
--	-----

27



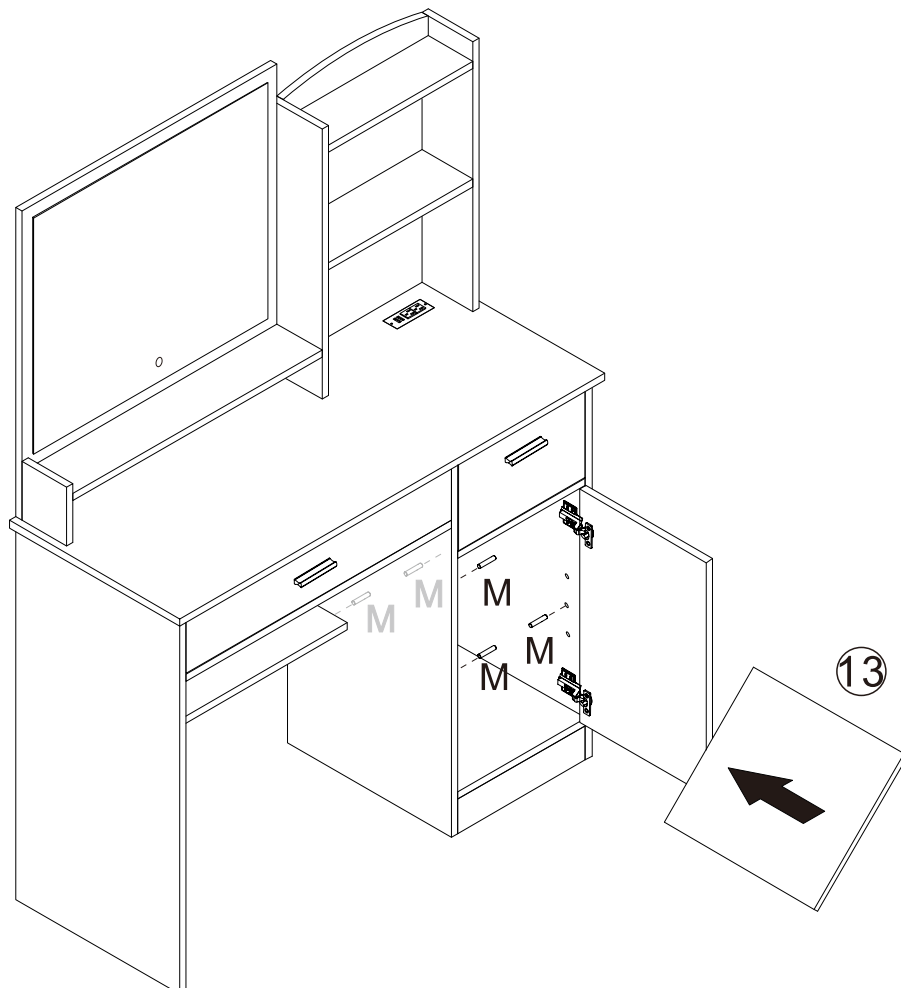
Fix handle I to part 17 with screw H.
Connect part 17 to part 11 with hardware L,
tight with screw K.



- a: To adjust the door vertically loosen the screw and move up and down as needed
- b: To adjust the gap from the door to the main frame turn the screw clockwise or anti-clockwise as needed
- c: To adjust the door laterally adjust the screw as shown by turning clockwise or anti-clockwise
- d: Please fix other screws

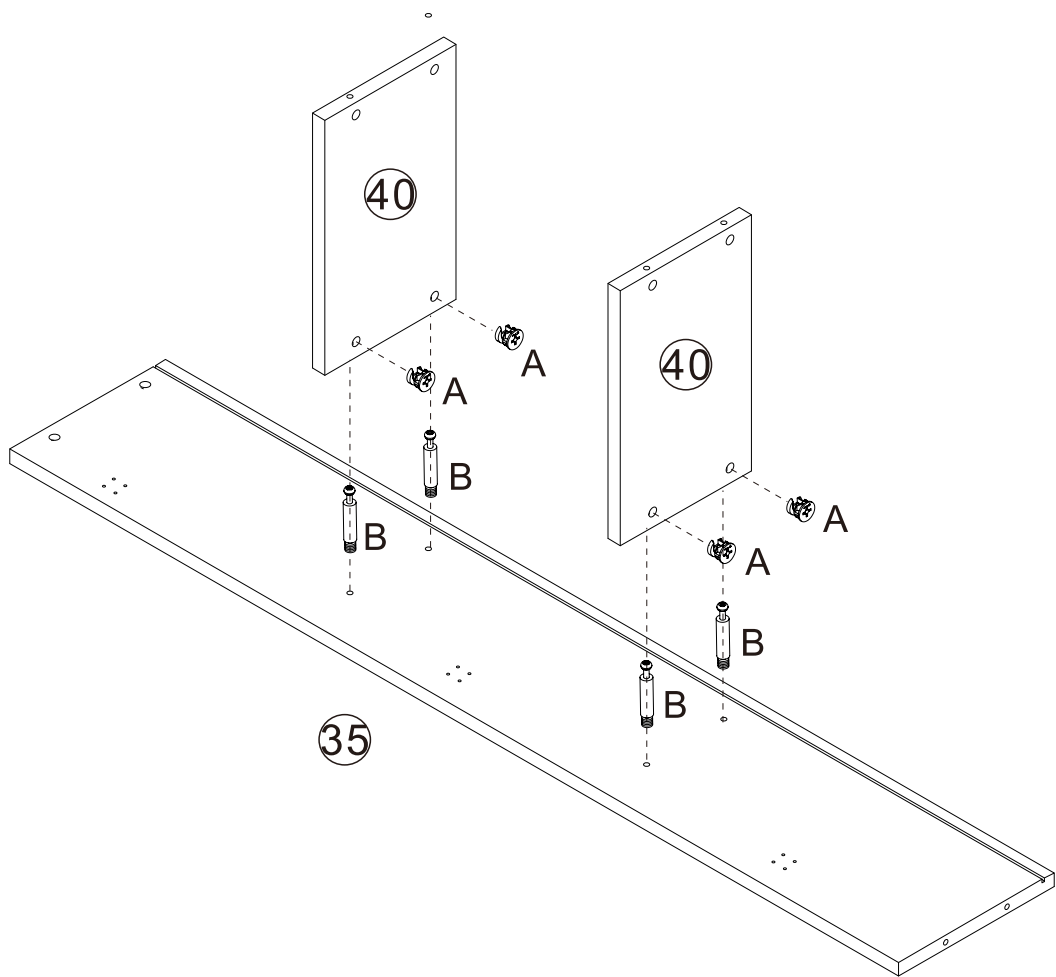
	Ix1		Kx12
	Hx2		Lx2

28



Put hardware M to part 10/11 and put part 13 on hardware M.

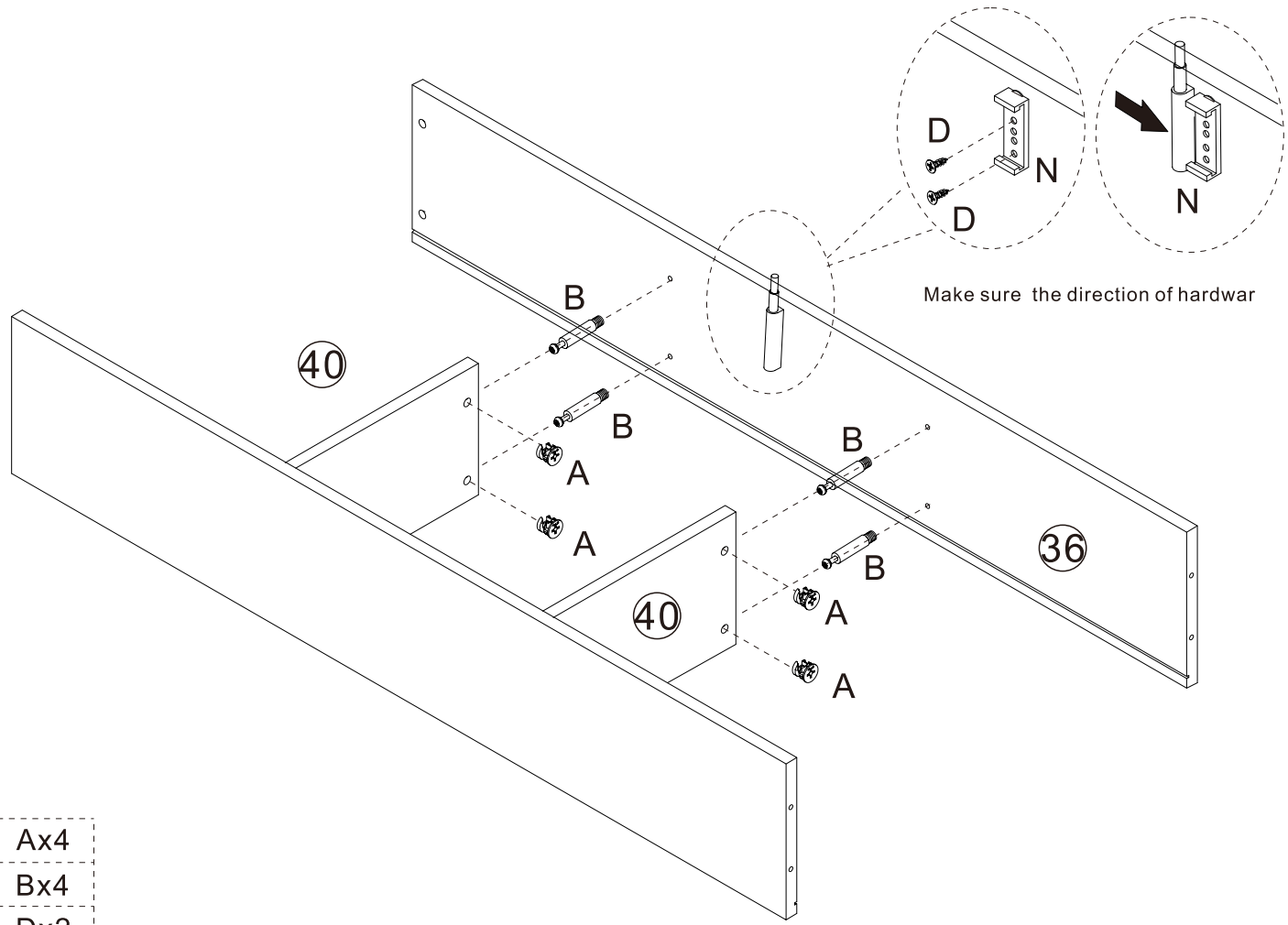
	Mx5
--	-----







e N

-  Ax4
-  Bx4

Connect parts 40 to part 35 with hardware A/B.



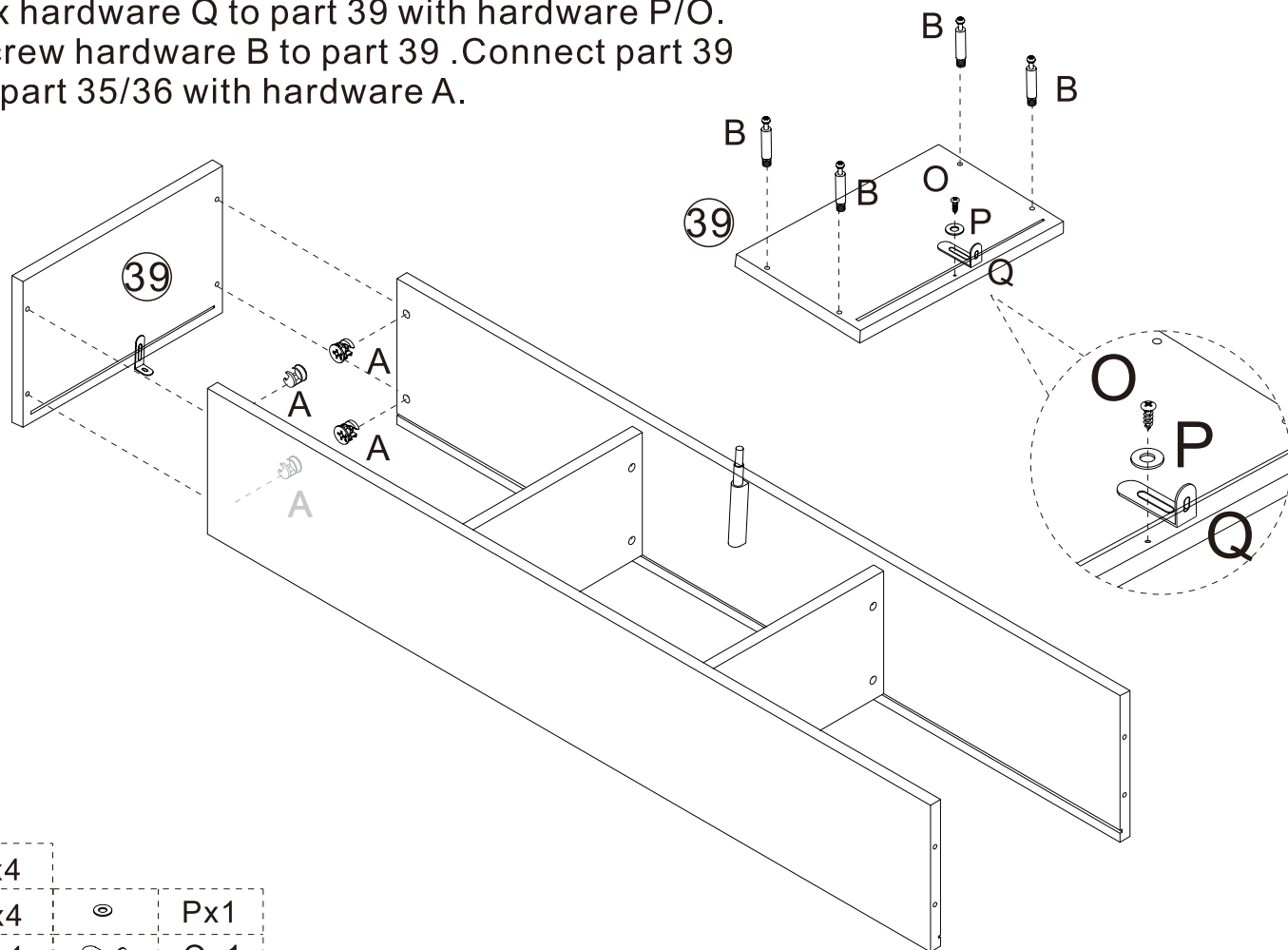
Make sure the direction of hardware

-  Ax4
-  Bx4
-  Dx2
-  Nx1

Connect part 36 to parts 40 with hardware A/B. Fix hardware N to part 36 with screw D.

31

Fix hardware Q to part 39 with hardware P/O.
 Screw hardware B to part 39 .Connect part 39
 to part 35/36 with hardware A.



Ax4



Bx4



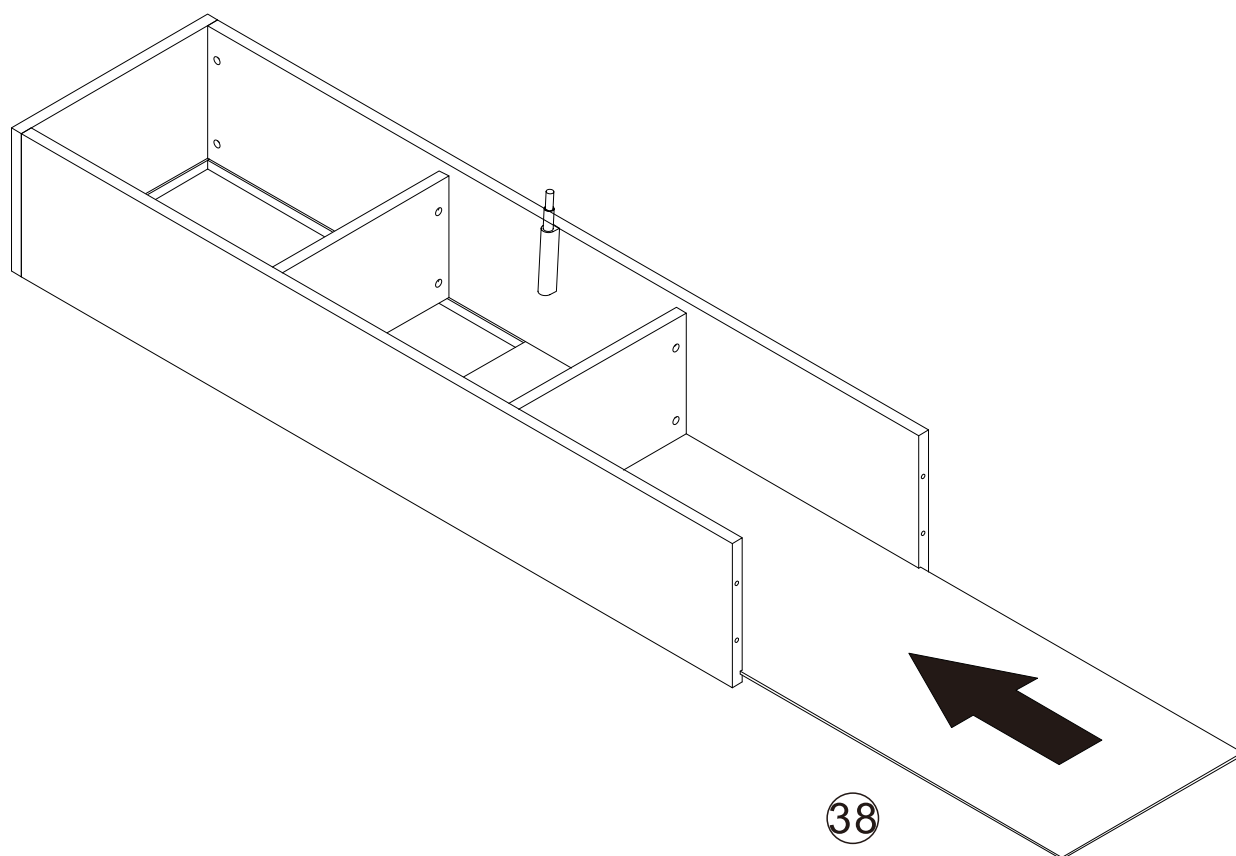
Px1



Ox1

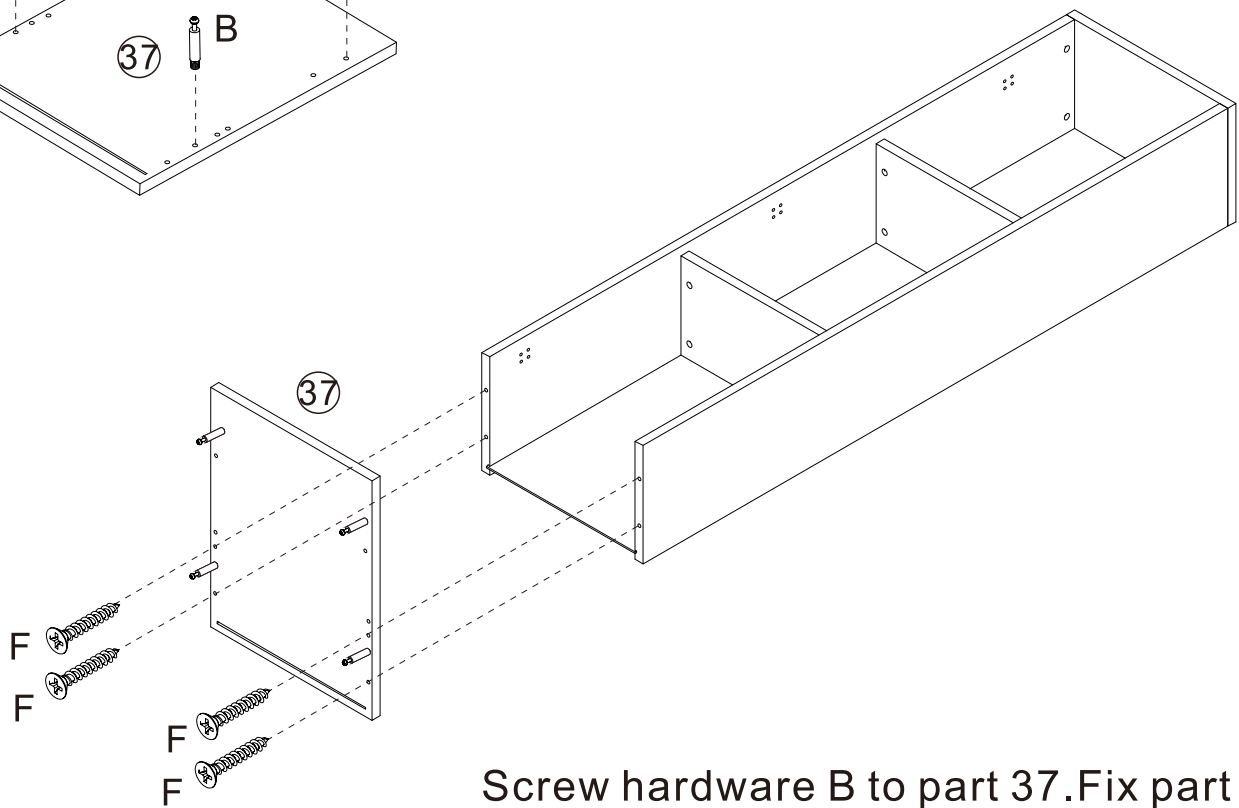
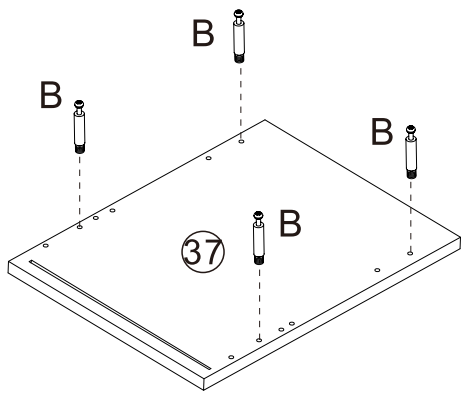


Qx1

32

Put part 38 to kerve of part 35/36/39.

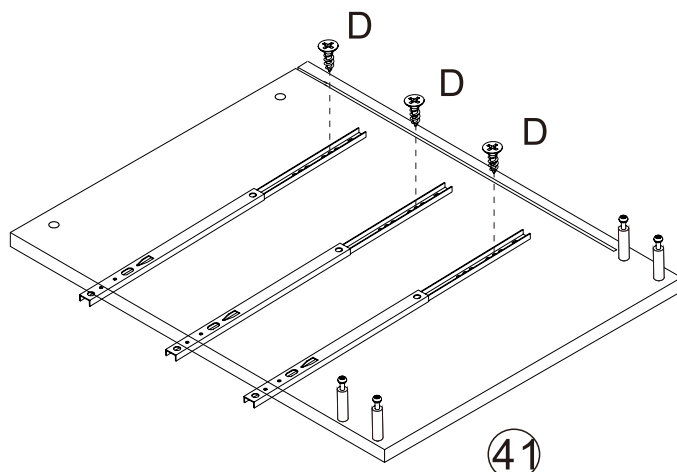
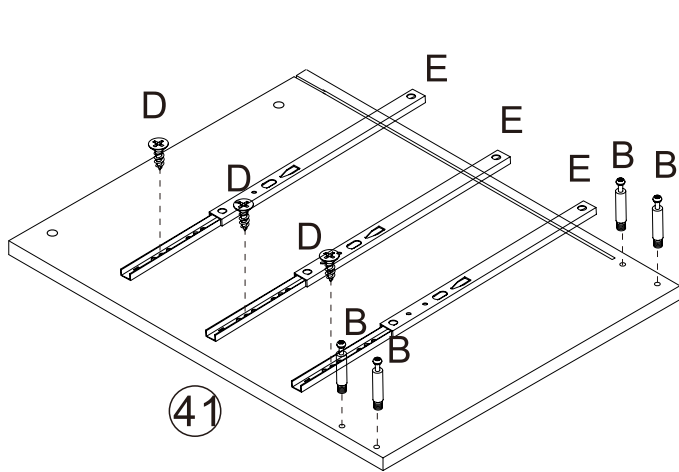
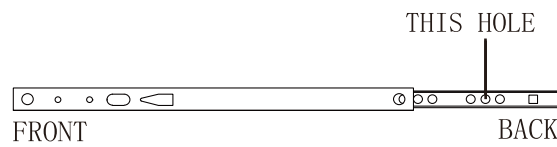
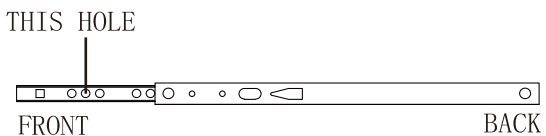
33



Bx4
Fx4

Screw hardware B to part 37. Fix part 37 to part 35/36 with screw F.

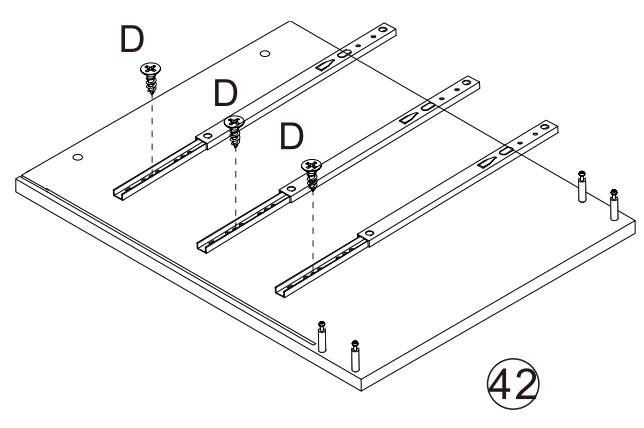
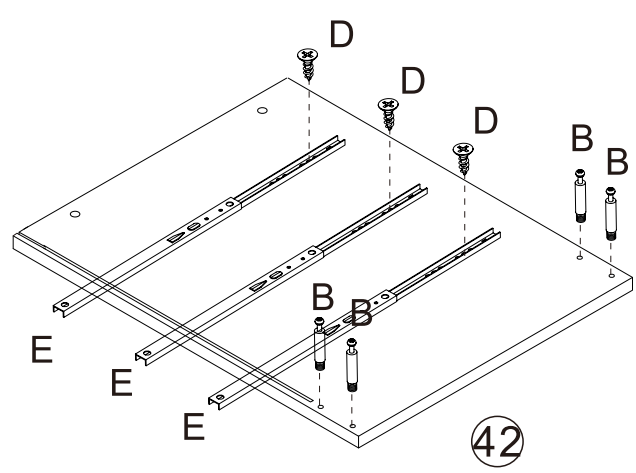
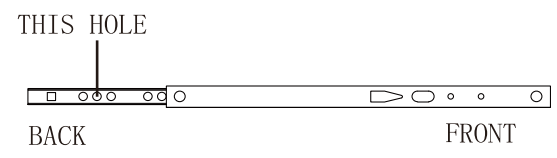
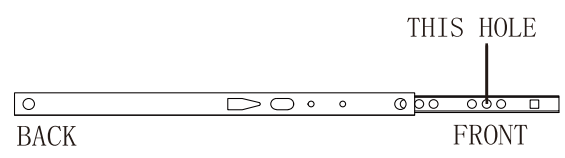
34



Bx4
Dx6
Ex3

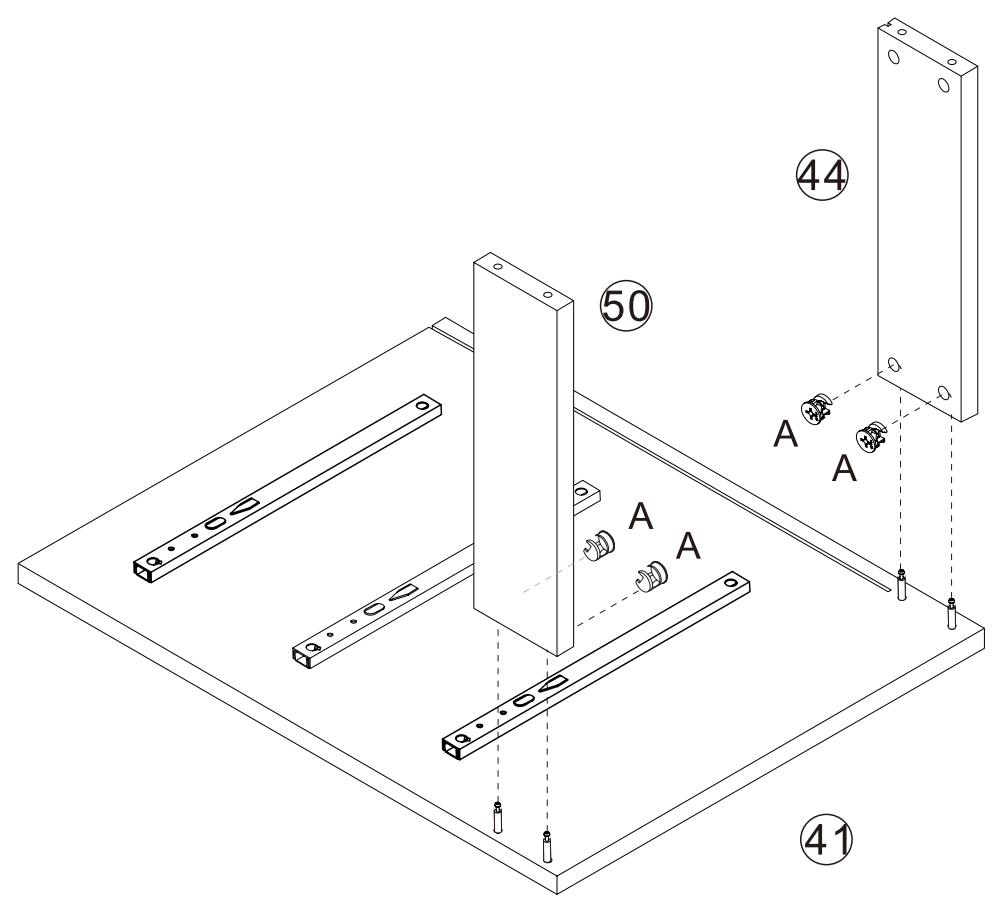
Fix slides E to part 41 with screw D. Screw hardware B to part 41. Repeat the step in the part 42.

35



	Bx4
	Dx6
	Ex3

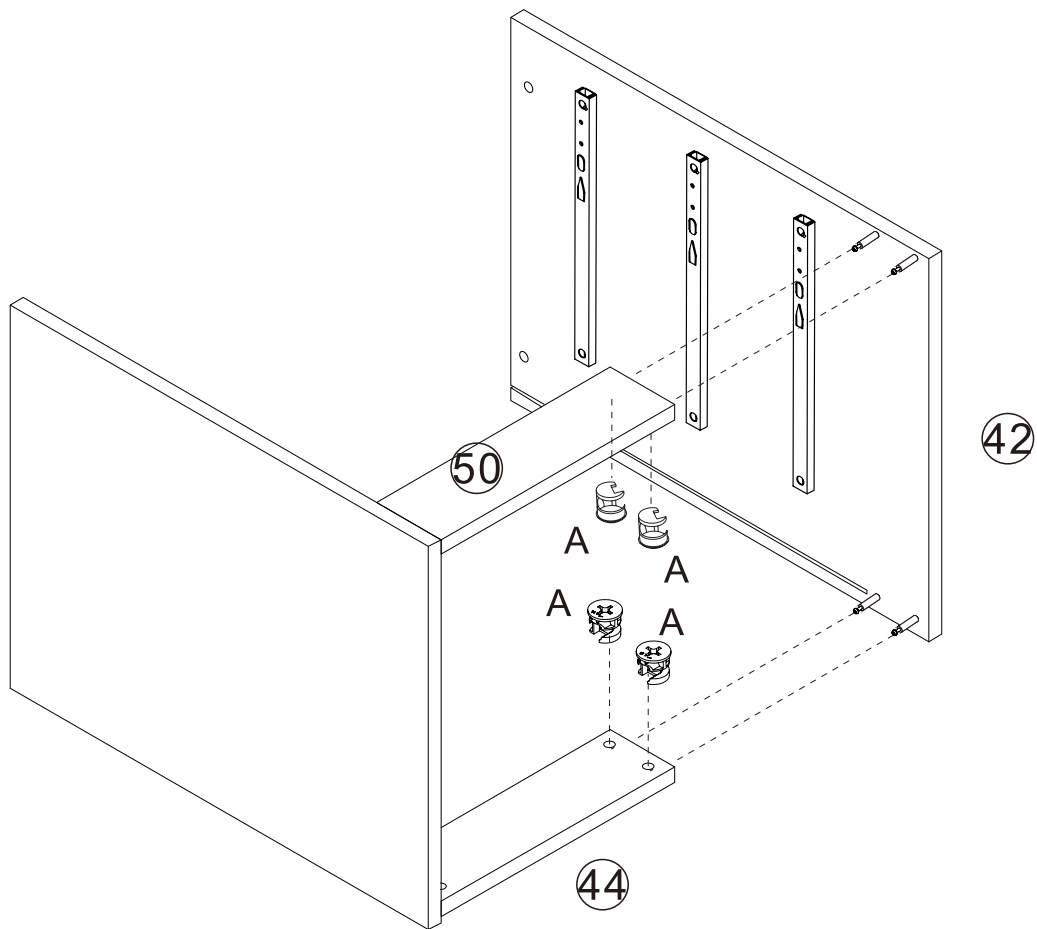
36



	Ax4
--	-----

Connect part 50/44 to part 41 with hardware A.

37

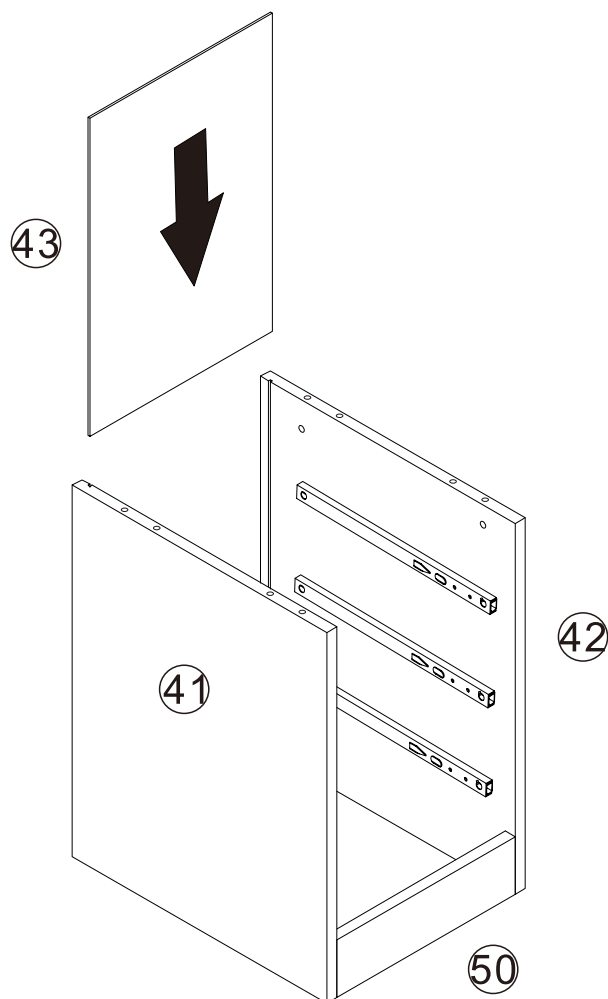


Fix part 42 to part 44/50 with hardware A.



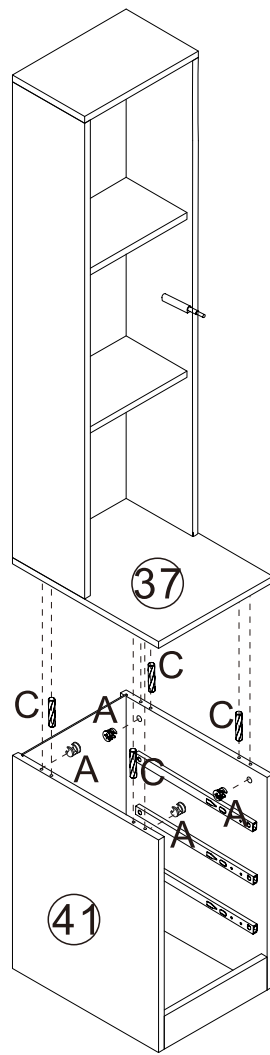
Ax4

38



Put part 43 to kerve of part 41/42/44

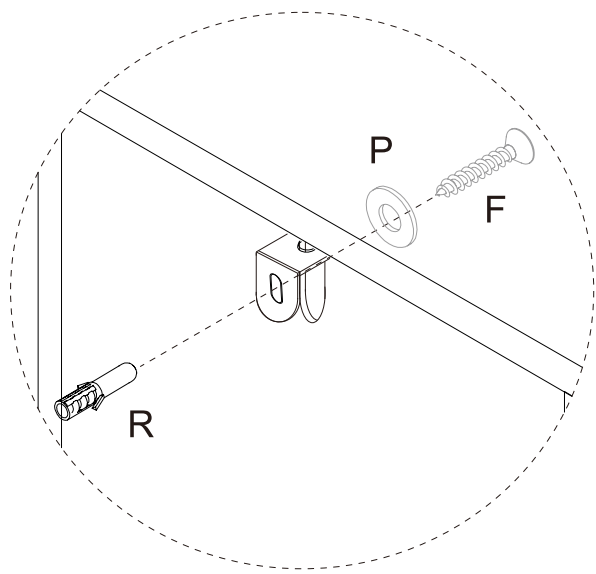
39






Fix part 37 to part 41 /42 with hardware A/C.

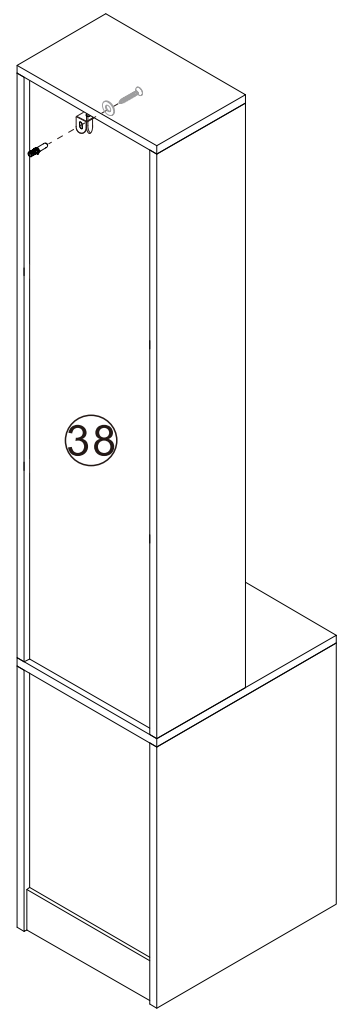
	Ax4
	Cx4

40

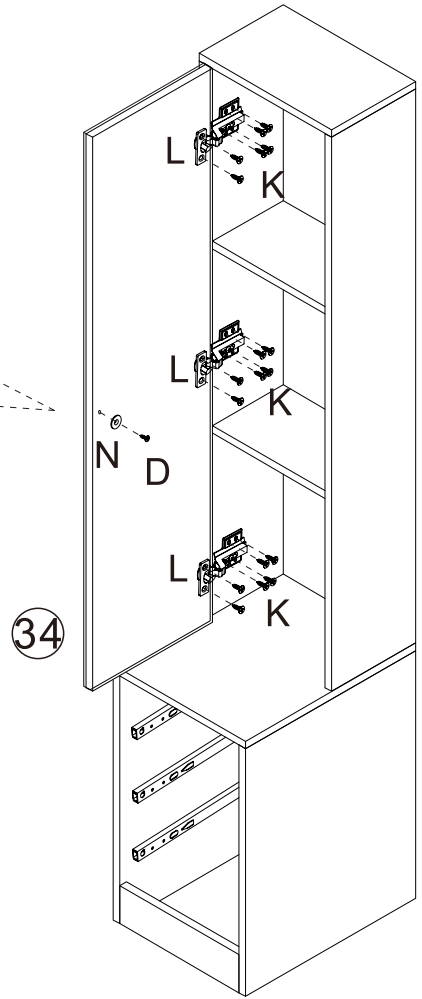
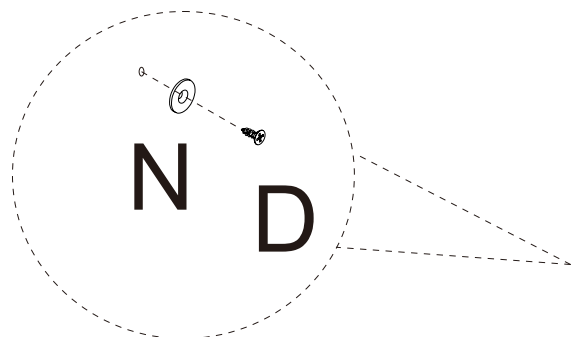






This is anti-topple kit setting which fix the product to the wall and it will be used or not follow your needs. If it is a solid wall, please use expansion and self-tapping screws. If it is a wooden wall, only use self-tapping screws. Please dont overtighten the screws.

	Fx1
	Px1
	Rx1



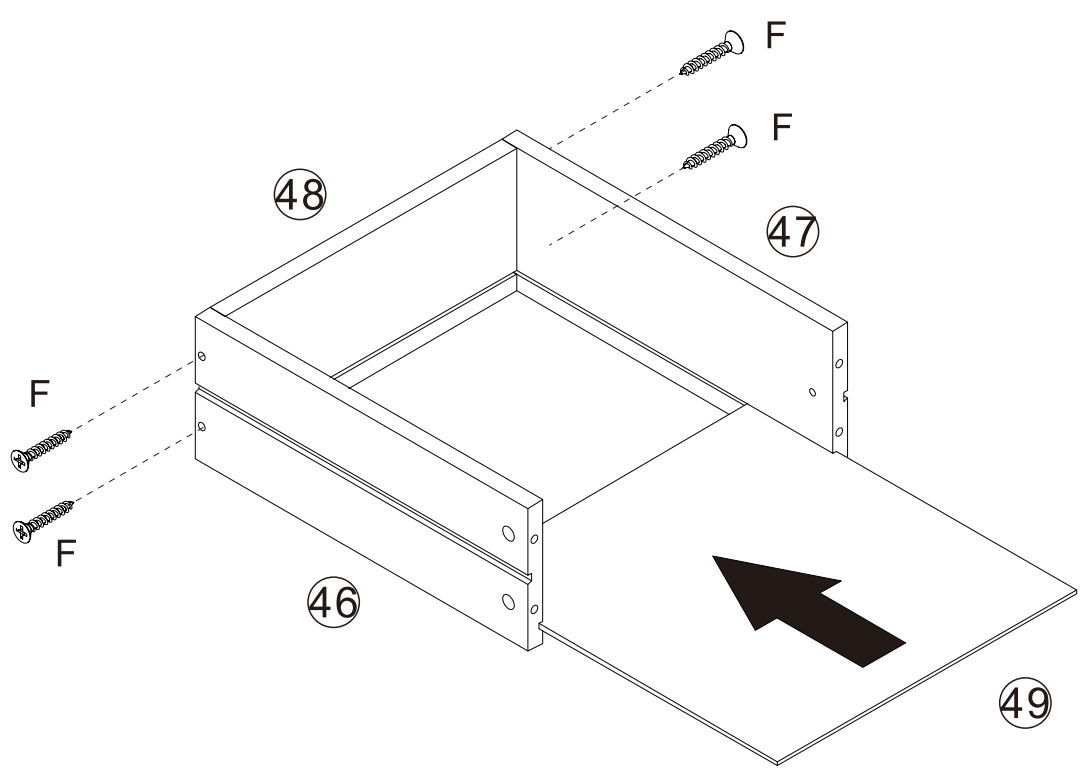
4



	Dx1
	Nx1
	Kx18
	Lx3

Fix a part of hardware N to part 34 with screw D. Connect part 34 to part 35 with hardware L ,tight with srcew K.

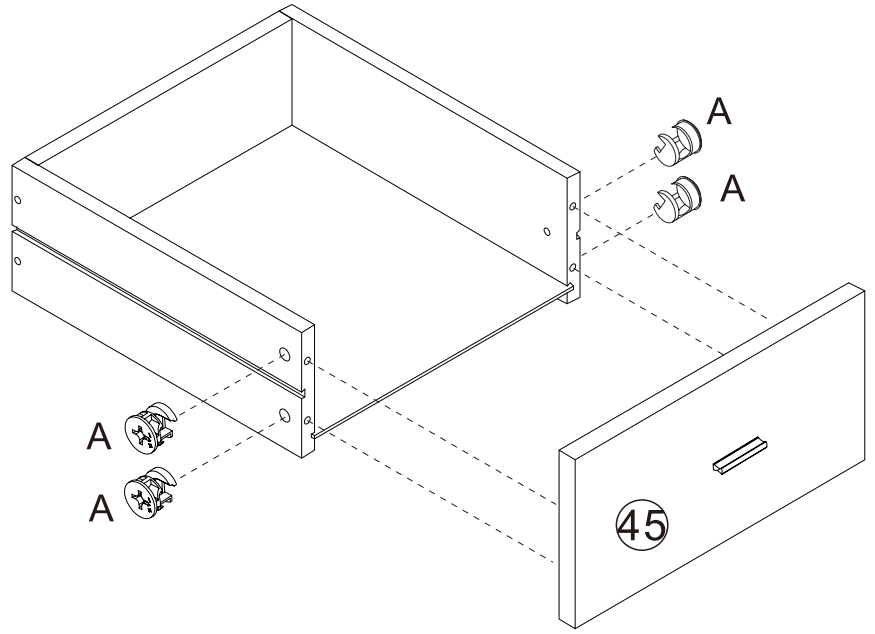
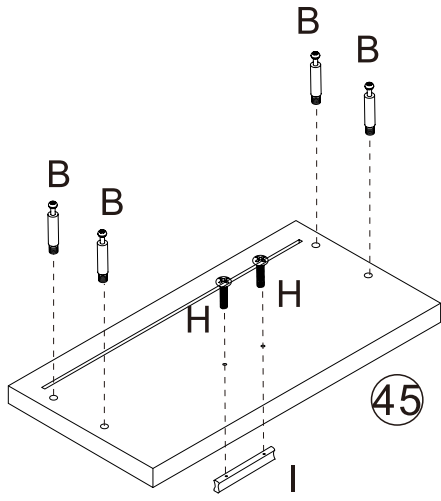
42 x3







Tight part 46/47 to part 48 with screw F.
Put part 49 to kerve of part 46/47/48.

	Fx12
---	------

43 x3

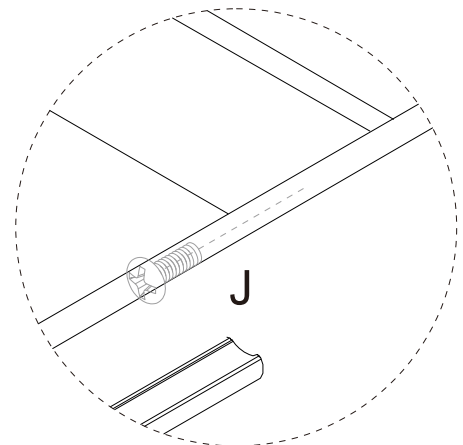
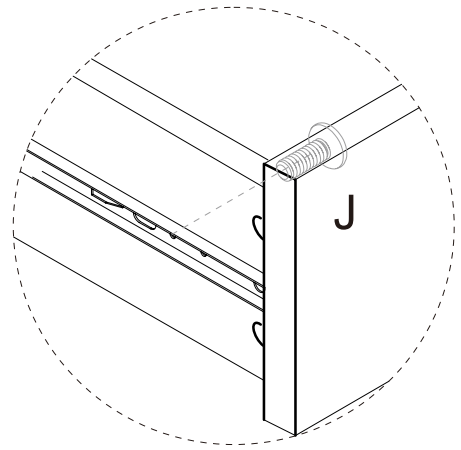
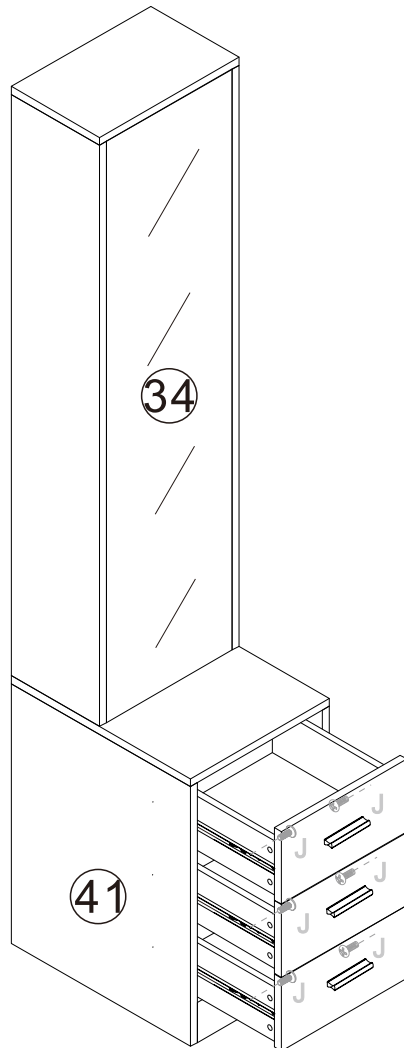


- | | |
|--|------|
|  | Ax12 |
|  | Bx12 |
|  | Hx6 |
|  | Ix3 |

Fix handle I to part 45 with screw H. Screw hardware B to part 45. Connect part 45 to part 46/47 with hardware A.

44

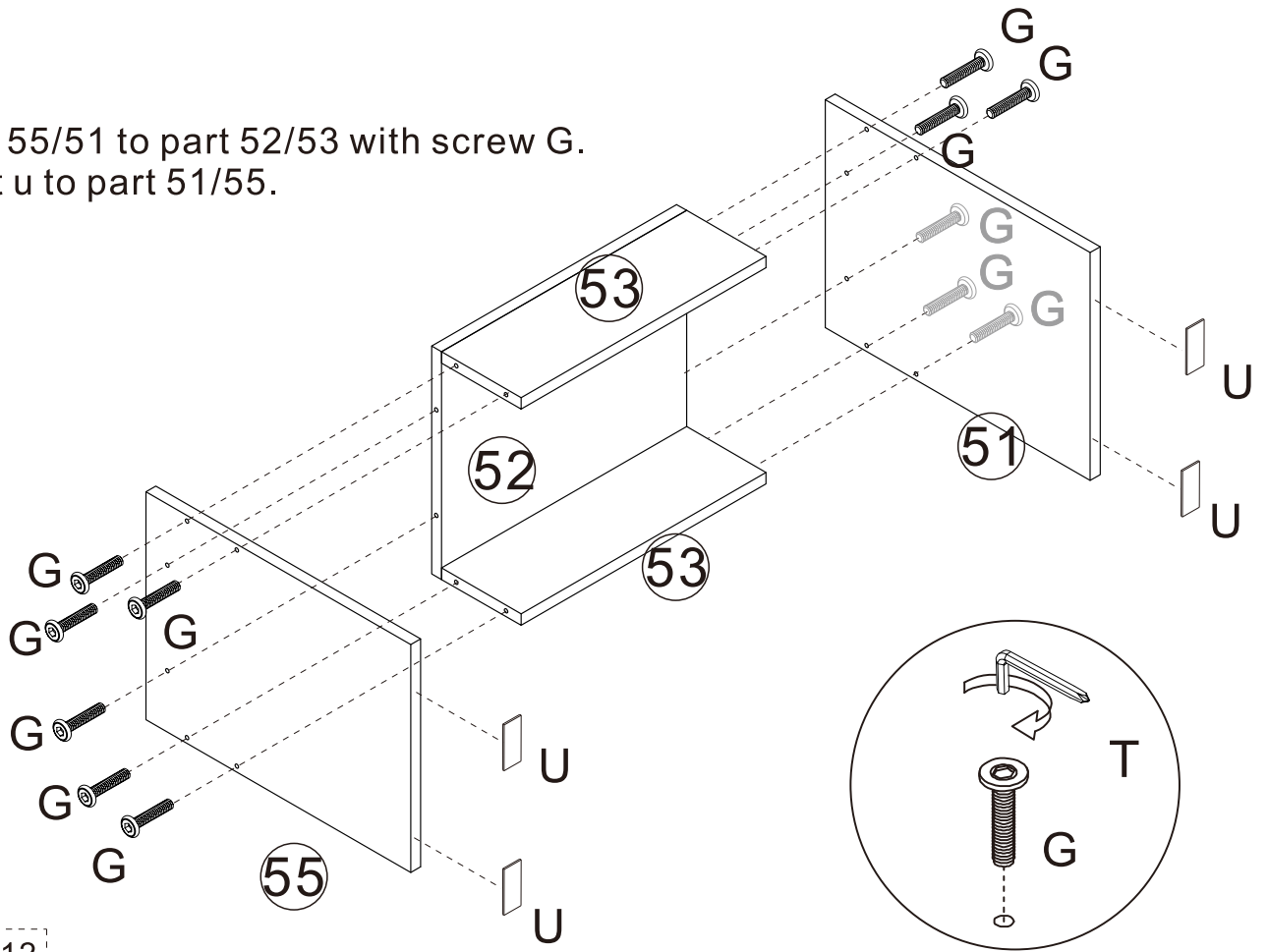
Put drawers to frame and fix with screw J.



- | | |
|--|-----|
|  | Jx6 |
|--|-----|

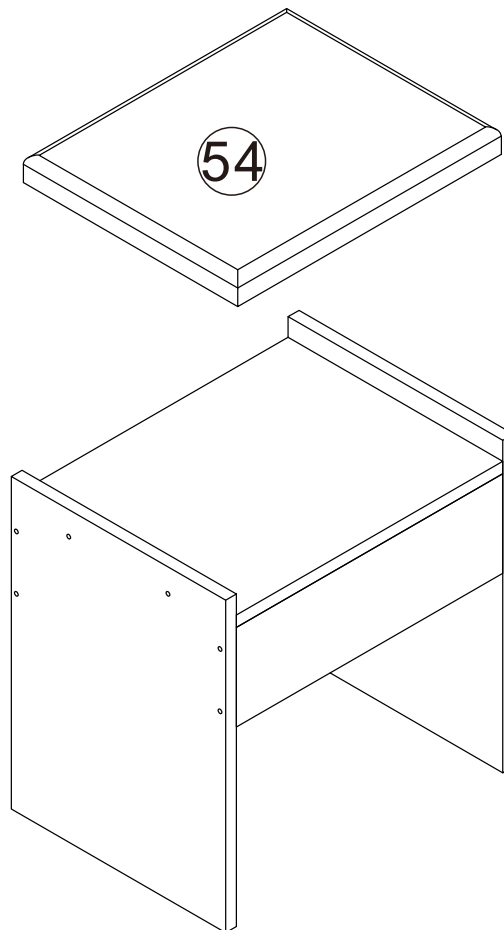
45

Fix part 55/51 to part 52/53 with screw G.
Put part u to part 51/55.



- | | | | |
|--|------|--|-----|
| | Gx12 | | |
| | Tx1 | | Ux4 |

46



Put part 54 on top of part 52.