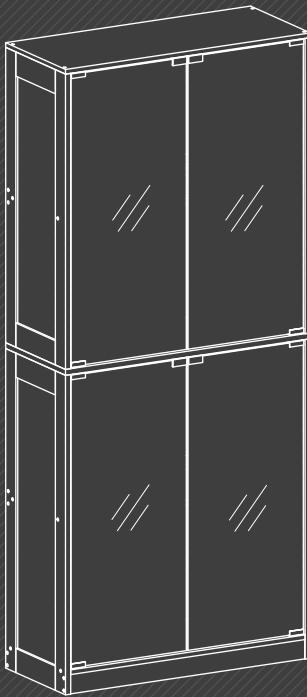




Glass Cabinet with Doors & LED Lights



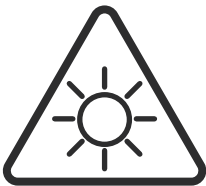
USER MANUAL

Safety Instructions

Thank You For Choosing Our Product

Before assembly, please read this USER MANUAL first, and check according to Parts List to make sure all parts are included. Feel free to contact us if you have any concerns or questions about your product, we are always ready to help. Your satisfaction is our first priority!

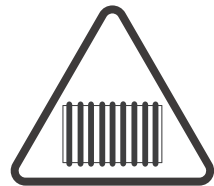
Precautions



- Avoid long-term direct sunlight exposure.



- Keep away from sharp objects.



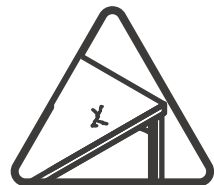
- Keep away from heat.



- Keep infants/children away from assembly parts to avoid choking and suffocation.

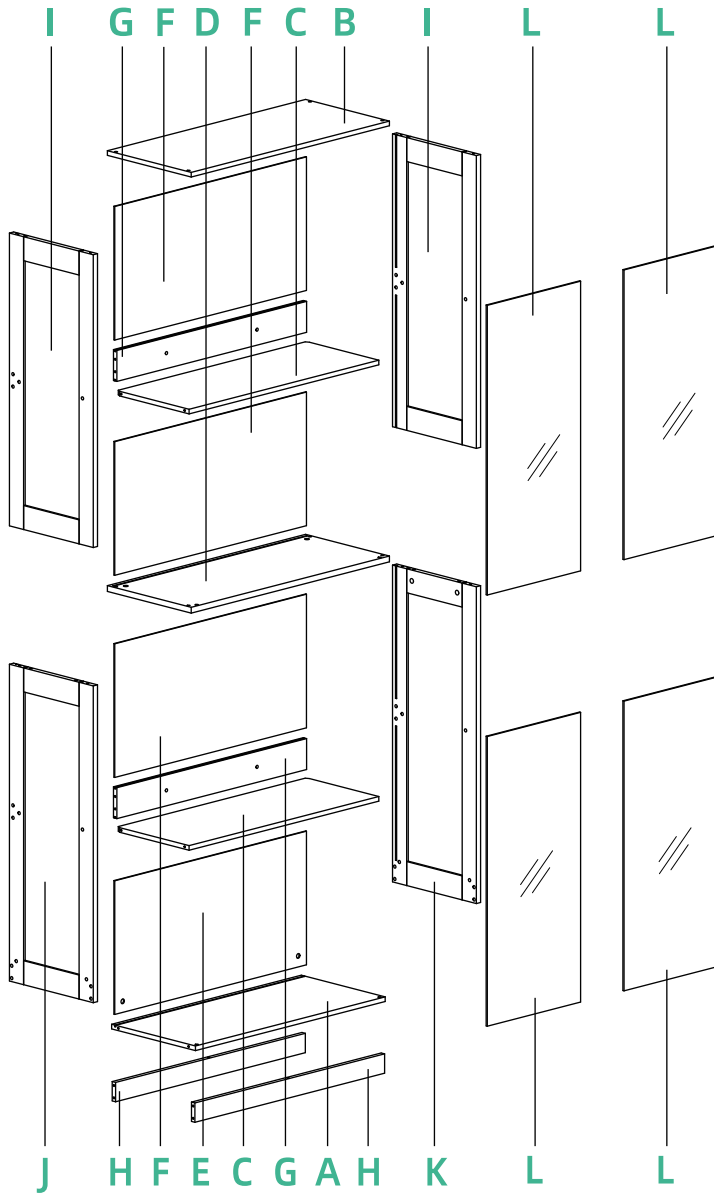


- Keep away from corrosive substances.



- Pay attention to avoid over-tightening fasteners, or they may induce cracking within the board.

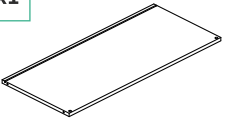
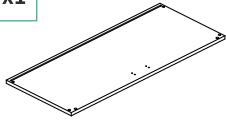
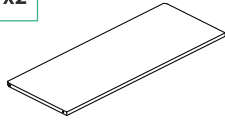
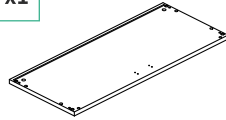
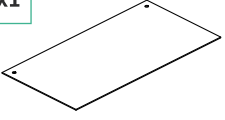
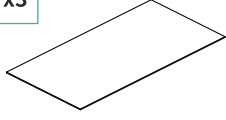
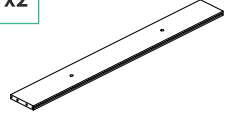
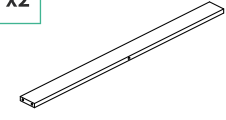




Disassembly Diagram



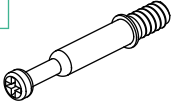




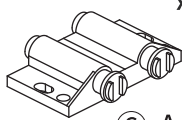
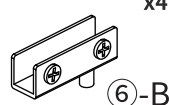
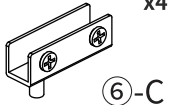
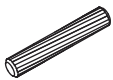
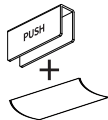



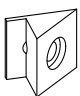
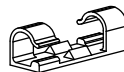

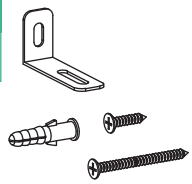


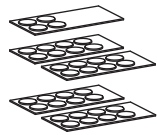
Parts List

For ease and safety, we recommend two people for assembly.



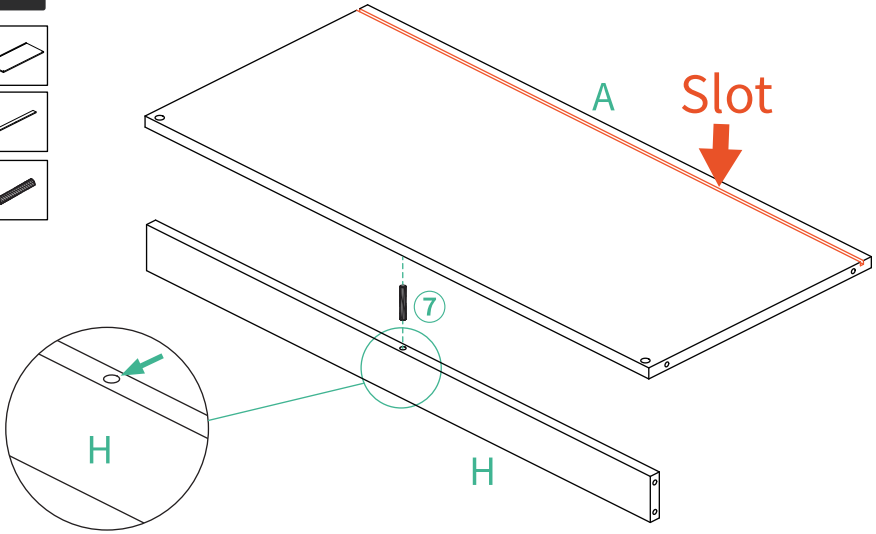
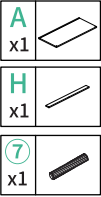
A x1 	B x1 	C x2 	D x1 
E x1 	F x3 	G x2 	H x2 
I x2 	J x1 	K x1 	L x4 

Parts List

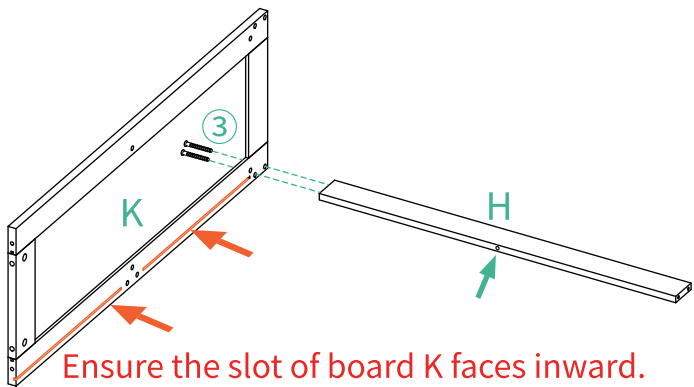
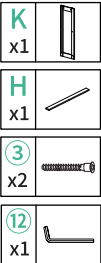
<p>1 x5</p>  <p>1 Spare</p>	<p>2 x5</p>  <p>1 Spare</p>	<p>3 x45</p>  <p>ST6x50</p> <p>5 Spares</p>	<p>4 x5</p>  <p>1 Spare</p>
<p>5 x18</p>  <p>ST4x14</p> <p>2 Spares</p>	<p>6</p> <div style="display: flex; justify-content: space-around;"> <div data-bbox="352 422 532 582"> <p>x2</p>  <p>6-A</p> </div> <div data-bbox="610 422 778 550"> <p>x4</p>  <p>6-B</p> </div> <div data-bbox="868 422 1036 550"> <p>x4</p>  <p>6-C</p> </div> </div> <hr style="border-top: 1px dashed black;"/>		
<p>7 x6</p>  <p>φ6x30</p> <p>1 Spare</p>	<div style="display: flex; justify-content: space-around;"> <div data-bbox="341 622 487 805"> <p>x4</p>  <p>6-D</p> </div> <div data-bbox="520 622 655 805"> <p>x8</p>  <p>6-E</p> </div> <div data-bbox="683 622 845 805"> <p>x8</p>  <p>6-F</p> </div> <div data-bbox="868 622 1058 805"> <p>x8</p>  <p>ST3x14 6-G</p> </div> </div>		
<p>8 x18</p>  <p>2 Spares</p>	<p>9 x5</p> 	<p>10 x1</p> 	<p>11 x2</p> 
<p>12 x2</p> 	<p>13 x1</p> 	<p>14 x40</p> 	

Assembly Instructions

N-1

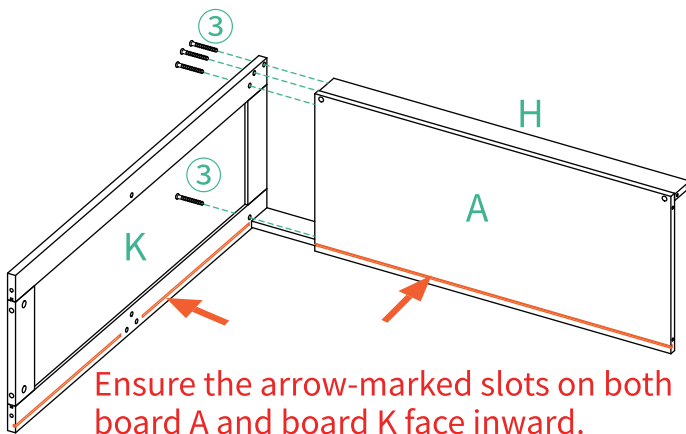
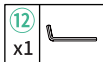


N-2

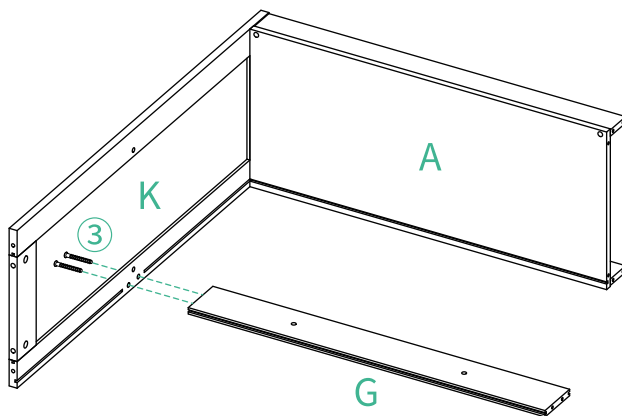


Assembly Instructions

N-3



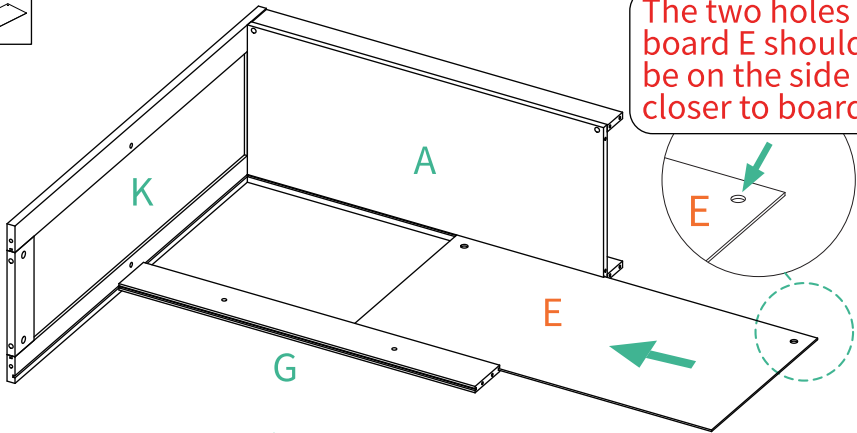
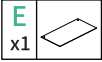
N-4



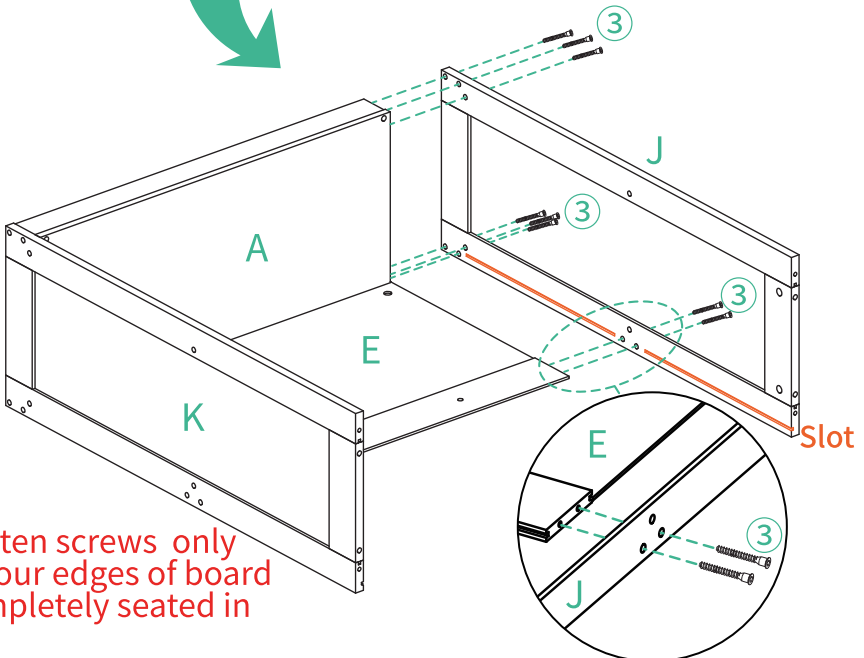
Assembly Instructions

N-5

Slowly slide board E through the slots between board A and board G until it engages with the slot of board K.



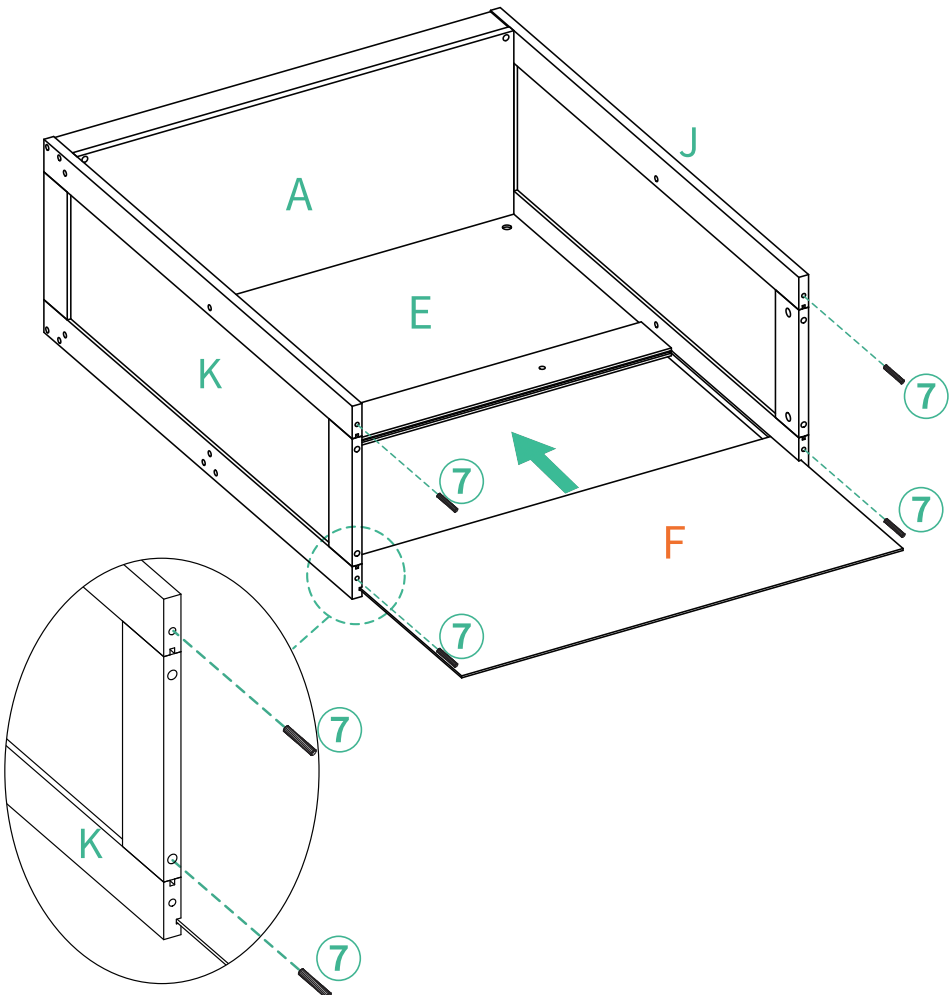
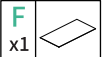
N-6



Assembly Instructions

N-7

Insert board F into the slots, and install wooden dowels into the correct holes as indicated in the enlarged diagram.



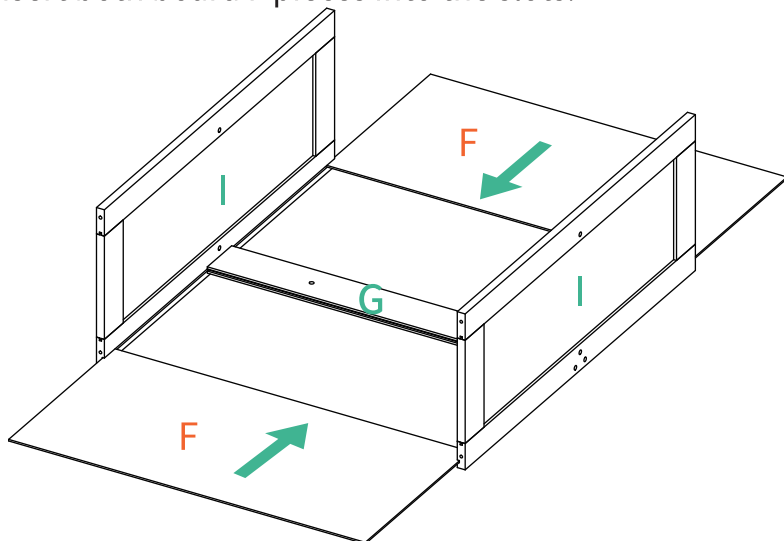
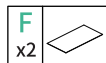
Assembly Instructions

N-8



N-9

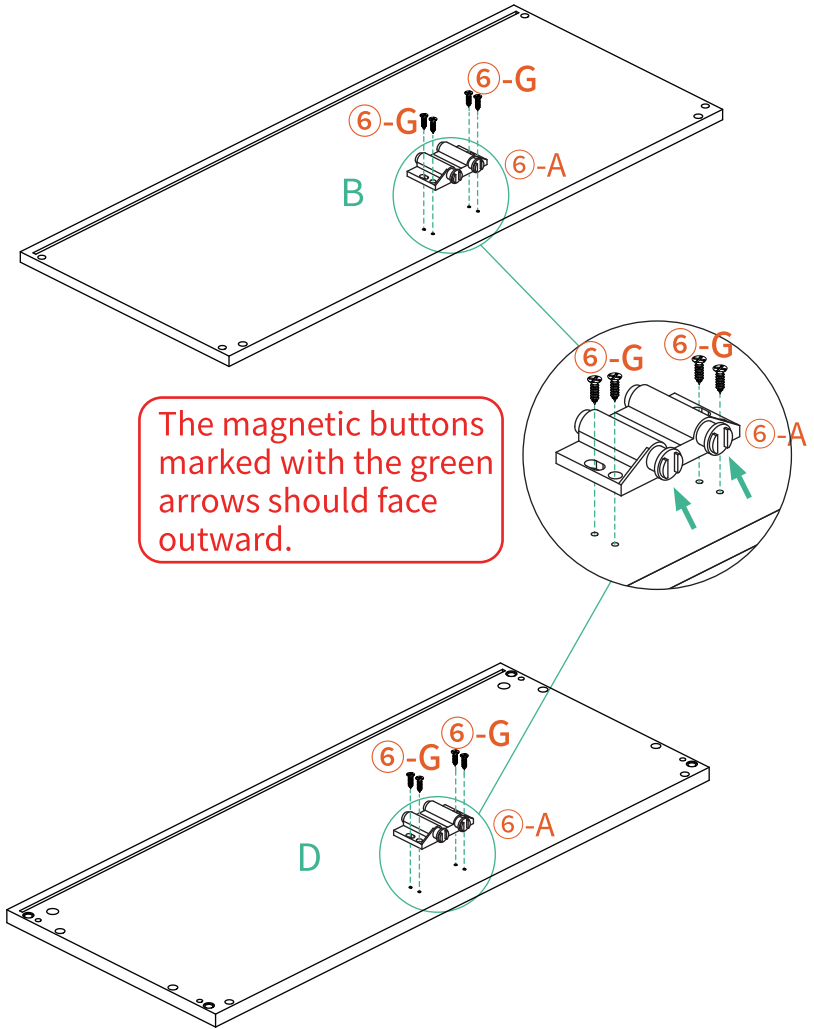
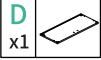
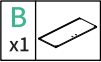
Insert both board F pieces into the slots.



Assembly Instructions

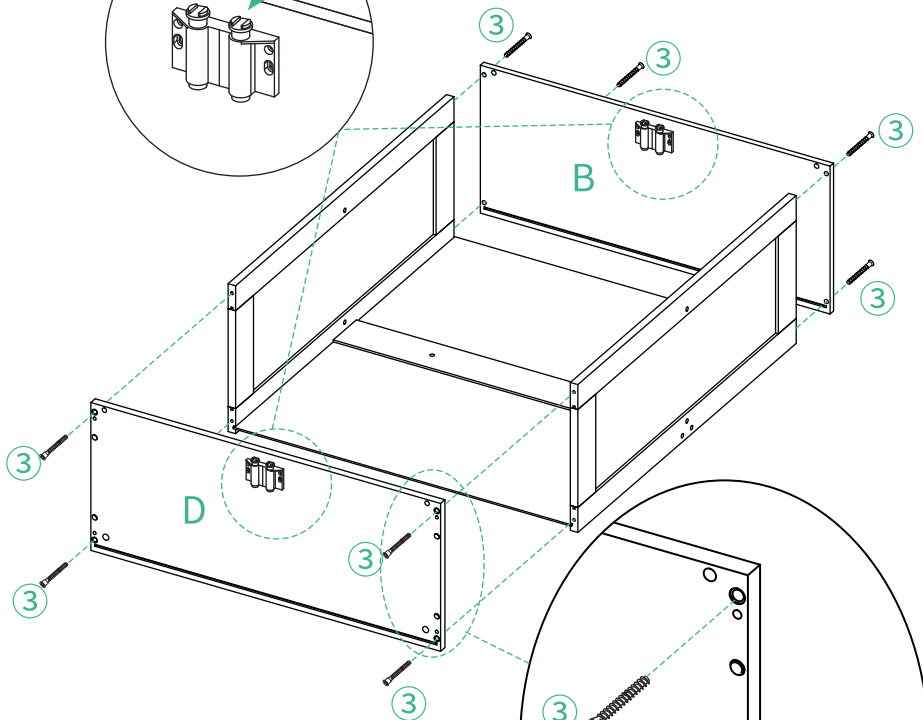
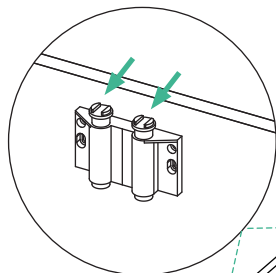
N-10

Attach parts ⑥-A to board B and board D.



Assembly Instructions

N-11 The magnetic buttons marked with green arrow on board B and board D face forward, and the slots are positioned at the rear.

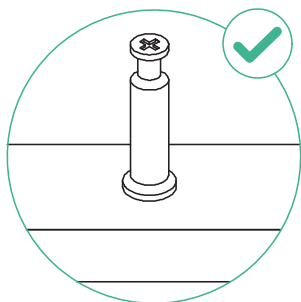
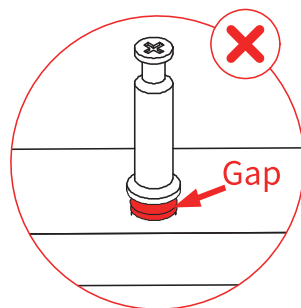
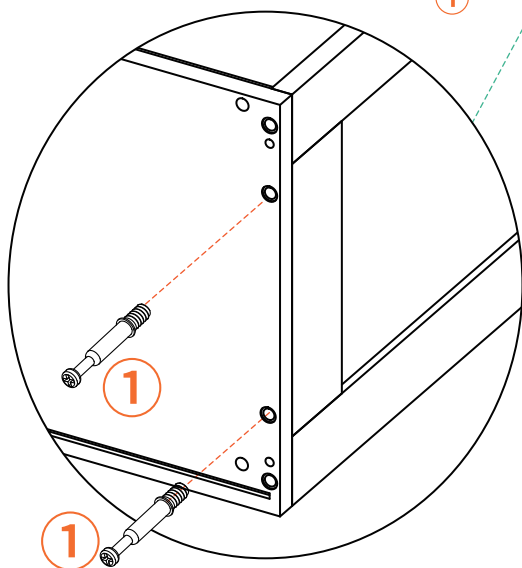
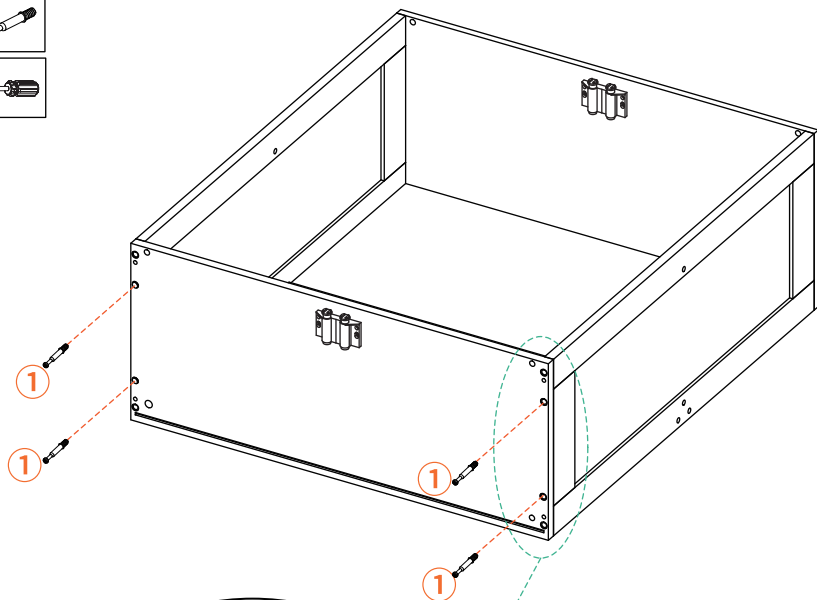
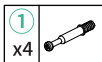


Use the correct screw holes on board D for installation as shown in the enlarged diagram.

Assembly Instructions

N-12

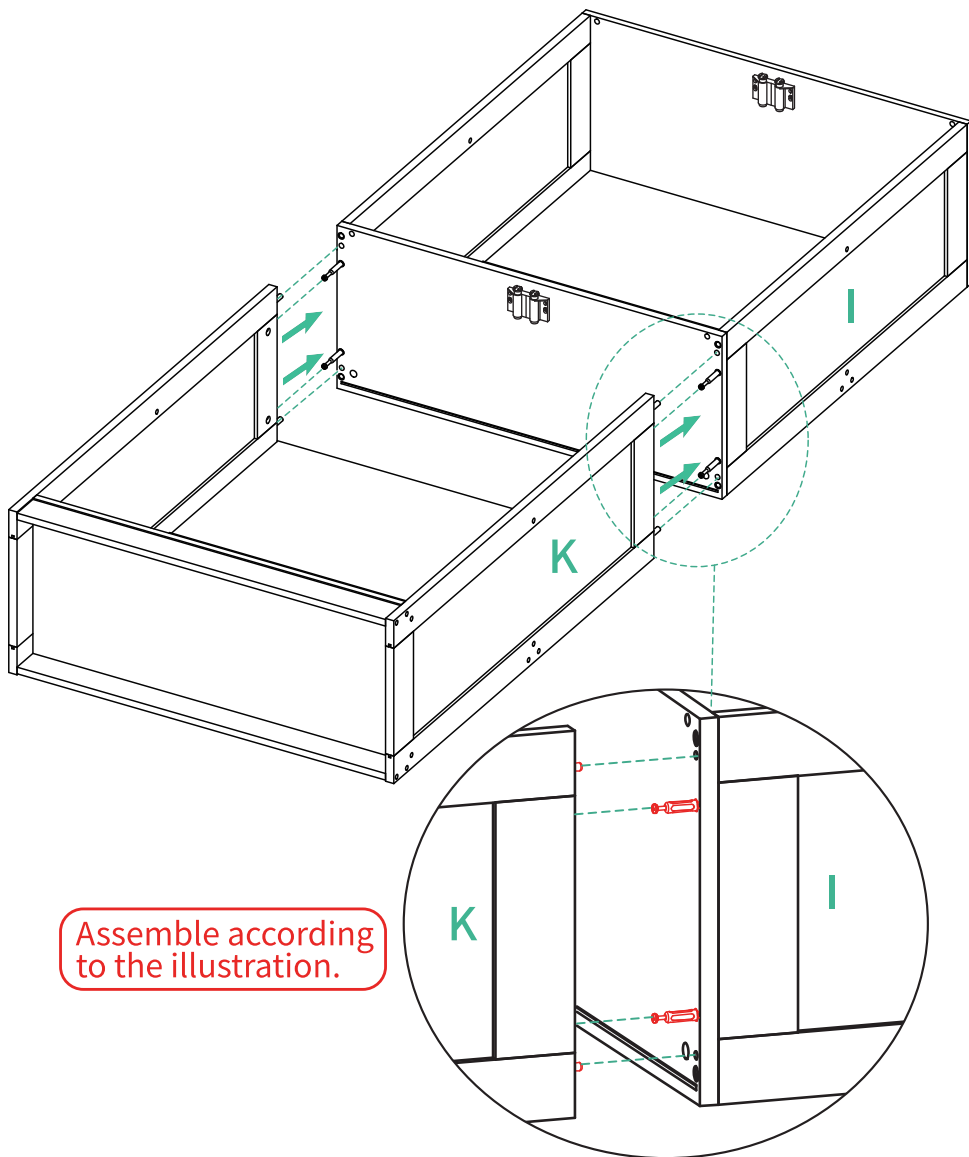
Select the correct screw holes for parts ① according to the enlarged diagram and tighten them.



Assembly Instructions

N-13

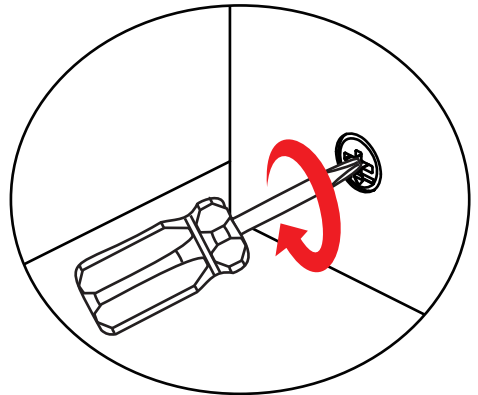
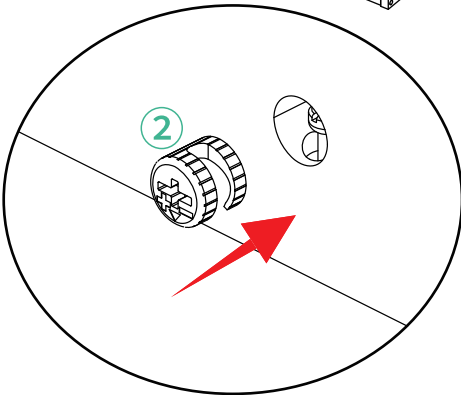
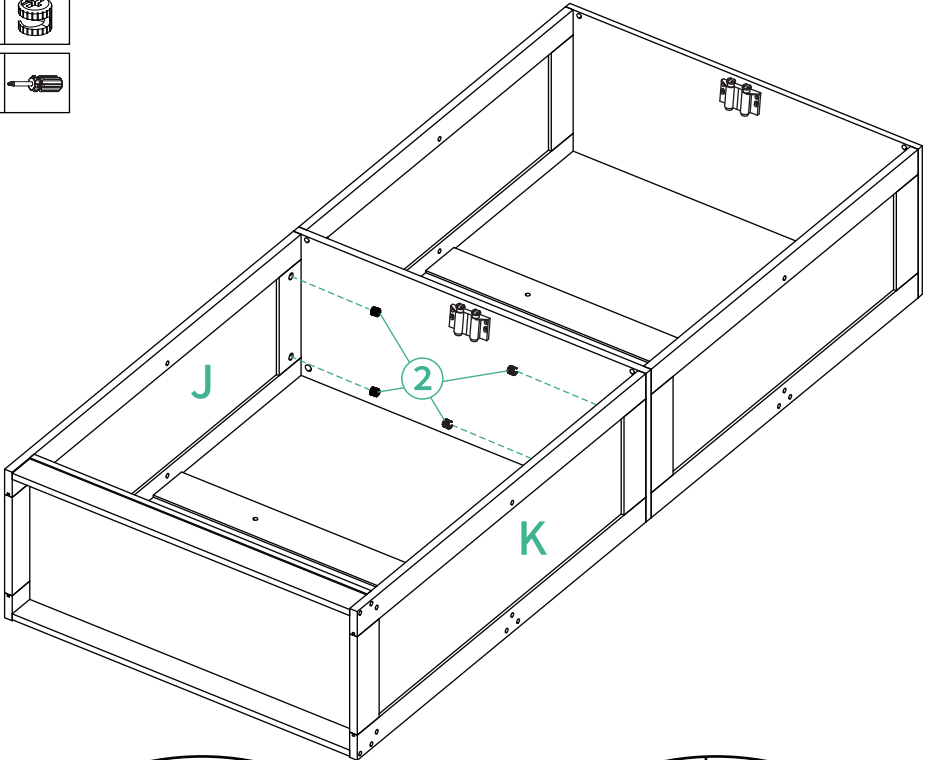
Connect the upper and lower parts of the cabinet as guided by the enlarged diagram.



Assembly Instructions

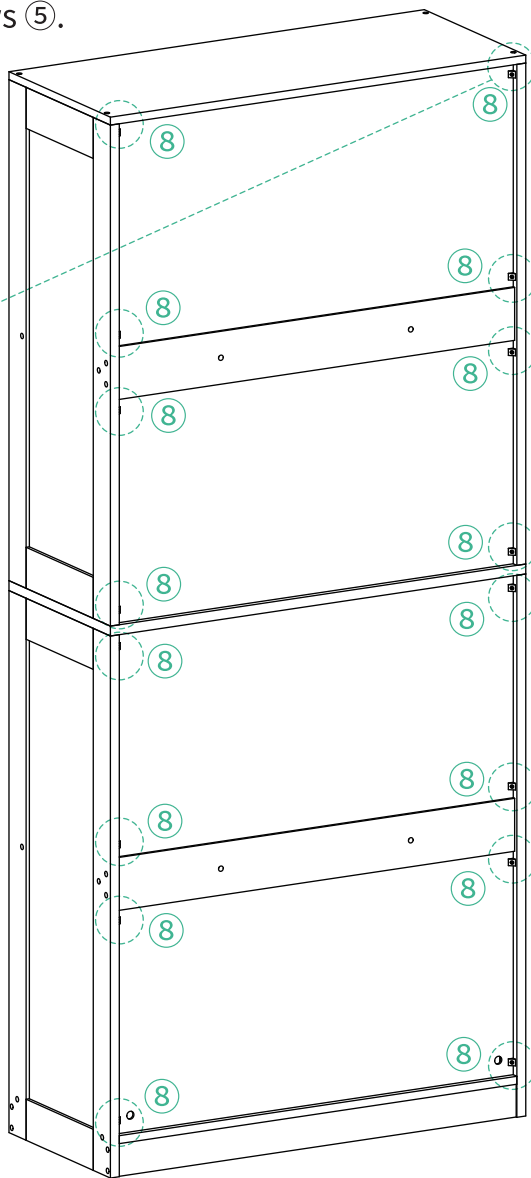
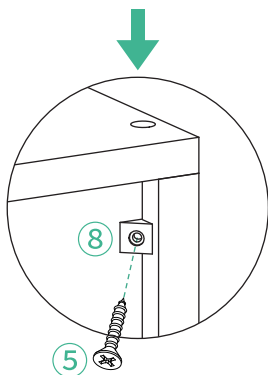
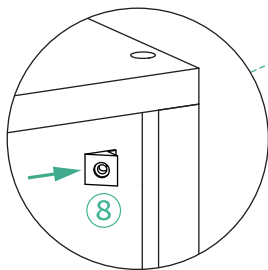
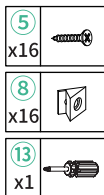
N-14

Insert four parts ② into the large holes on board K and board J, then tighten with a screwdriver.



Assembly Instructions

N-15 Install parts ⑧ at the approximate position as shown, and secure with screws ⑤.



Assembly Instructions

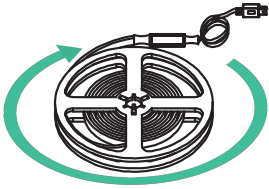
N-16

Unroll the coiled light strip, separate parts ⑩-A and ⑩-B to obtain three segments as shown in Step 4.

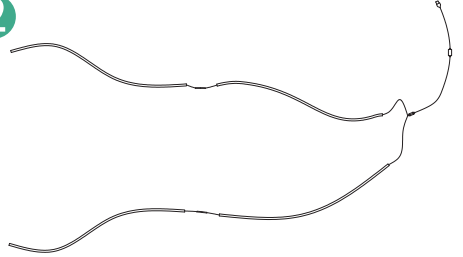


1

⑩



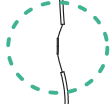
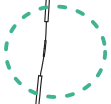
2



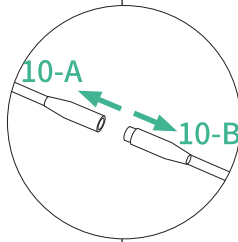
3

⑩-A

⑩-A



⑩-B



4

⑩-A

⑩-A

⑩-B

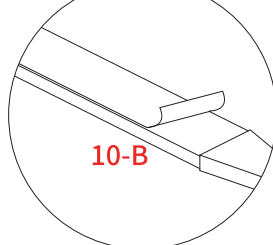
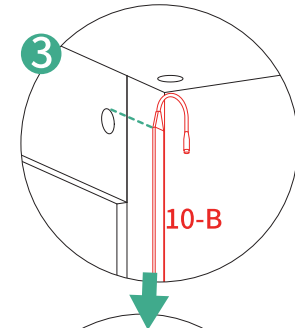
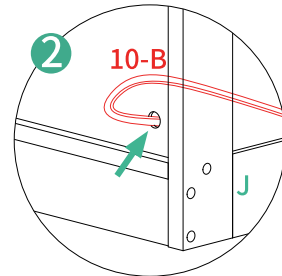
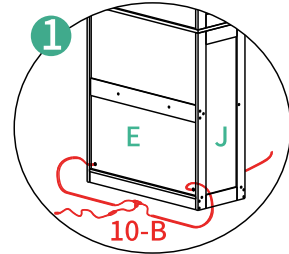
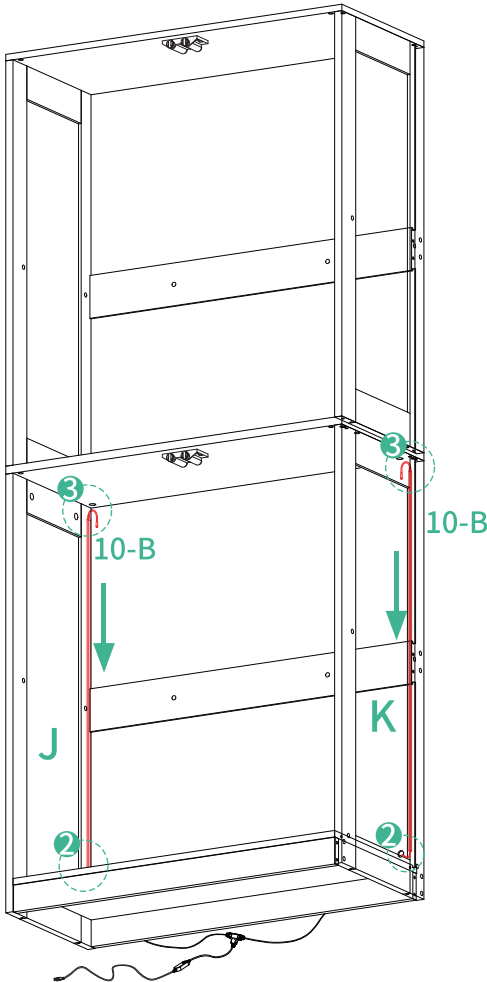
Assembly Instructions

N-17



1. Thread light strip ⑩-B through the holes on the back of board E (refer to Steps ① and ②).

2. Extend the light strip up to the level of the hole (refer to Step ③). Remove the adhesive backing film, and attach it sequentially to the rear side of board J and board K until fully secured.



Assembly Instructions

N-18

Step ①: Pass the connected end (with connector) of the light strip ⑩-A through the hole on board D.

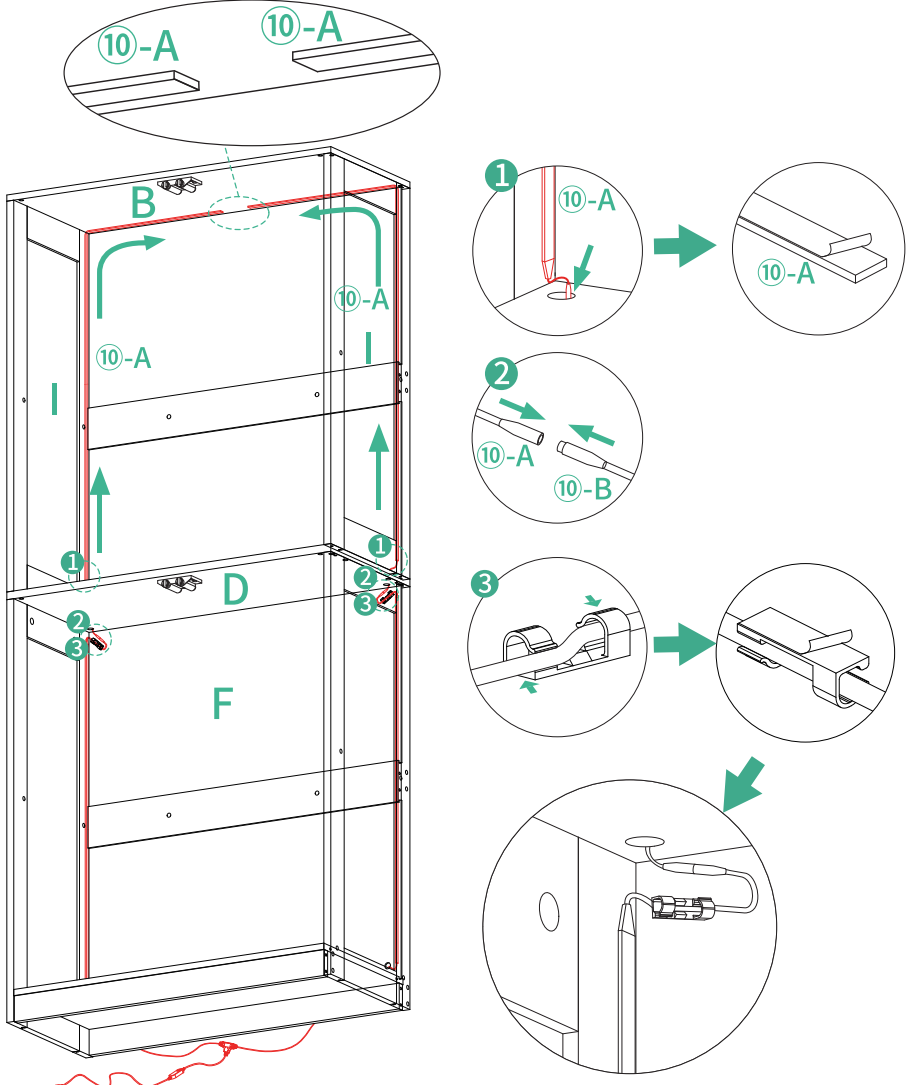


Remove the adhesive backing film and attach it upward from board I to board B. Repeat for both left and right sides.



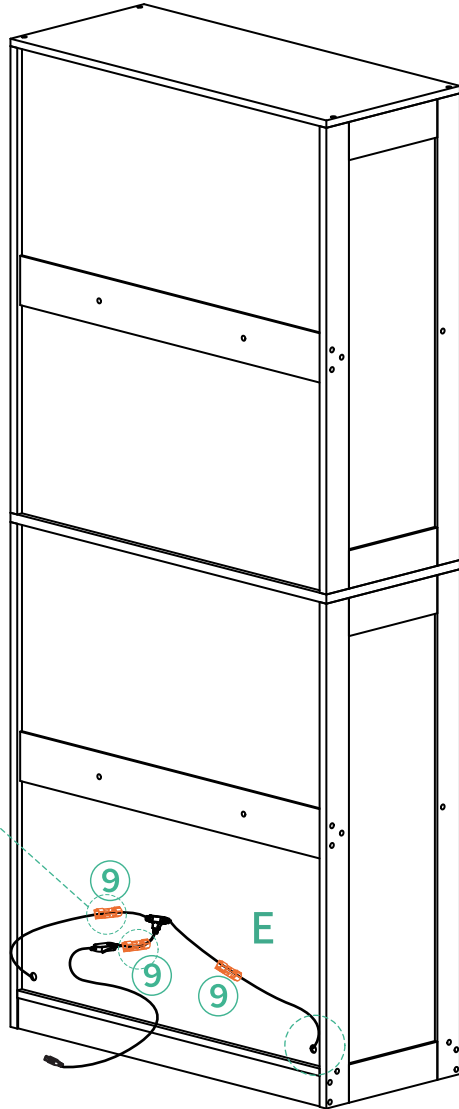
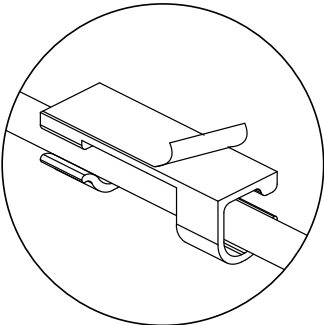
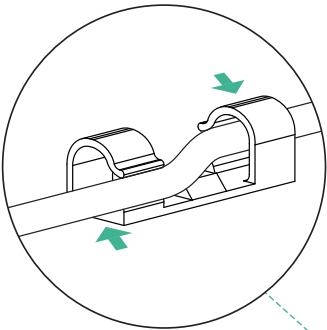
Step ②: Connect the connectors of ⑩-A and ⑩-B.

Step ③: Secure excess wiring to board F with cable clips ⑨.



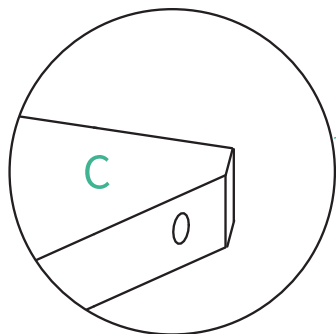
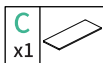
Assembly Instructions

N-19 Secure excess wiring to the back of board E with cable clips ⑨ as indicated.



Assembly Instructions

N-20

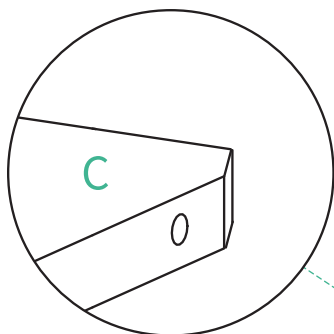
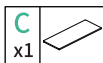


**Orient board C with the notched corner facing rearward.
Tighten screws to 50%.**



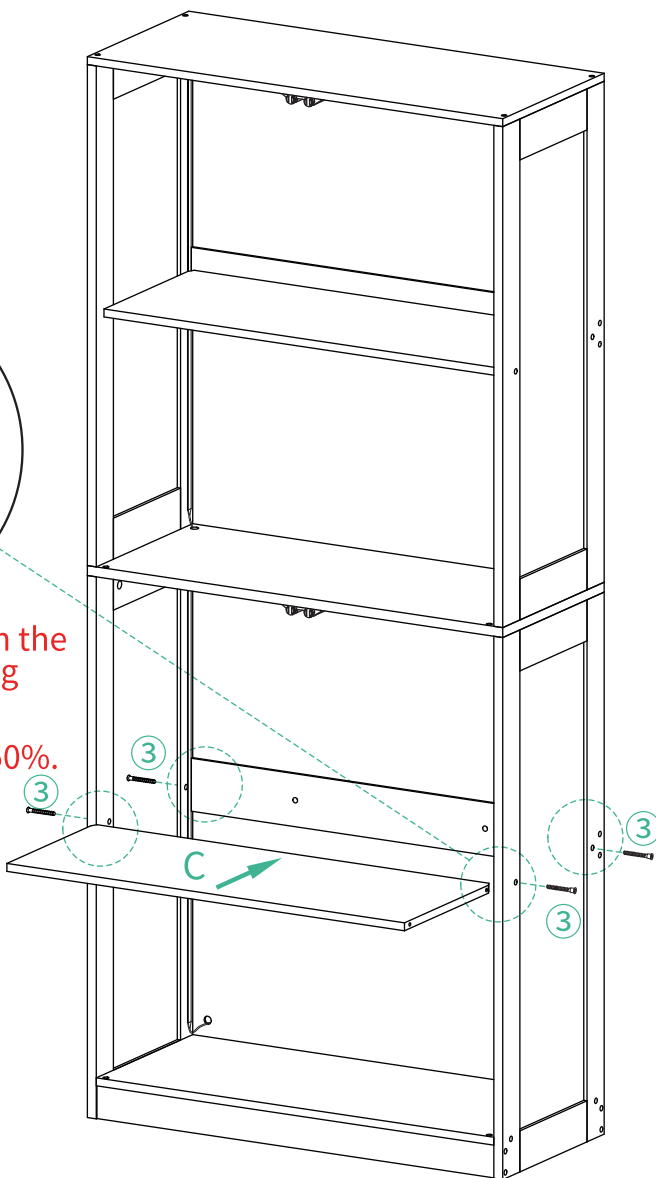
Assembly Instructions

N-21



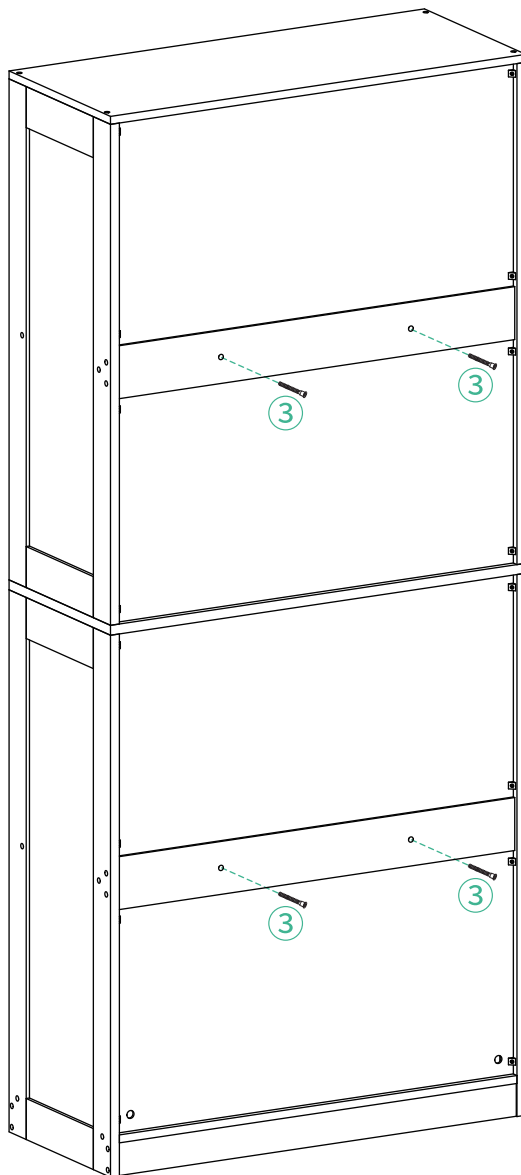
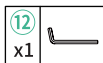
1. Orient board C with the notched corner facing rearward.

2. Tighten screws to 50%.



Assembly Instructions

N-22 After completing all screw installations in this step, fully tighten all screws from Steps N-20 to N-22.

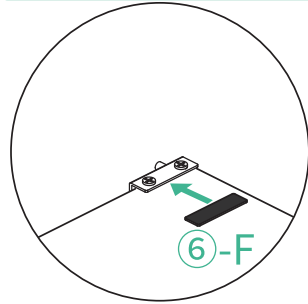
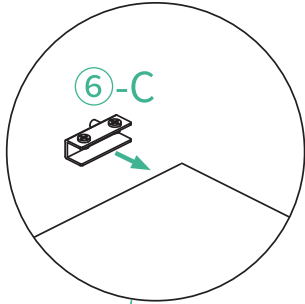


Assembly Instructions

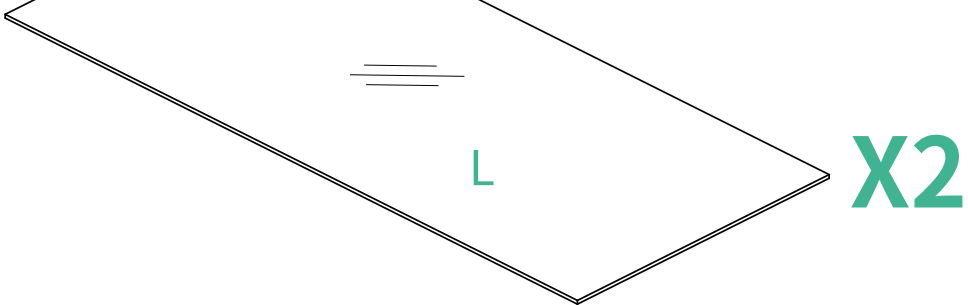
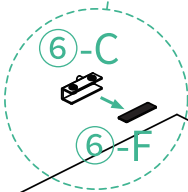
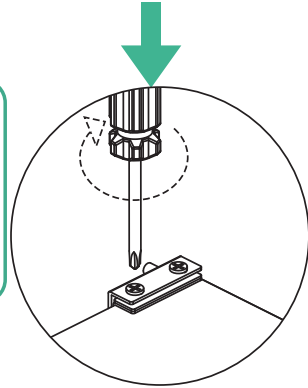
N-23

Push hinge ⑥-C to the top-right corner of glass board L.

Insert plastic pad ⑥-F between hinge ⑥-C and glass board L.

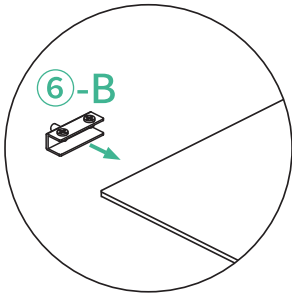
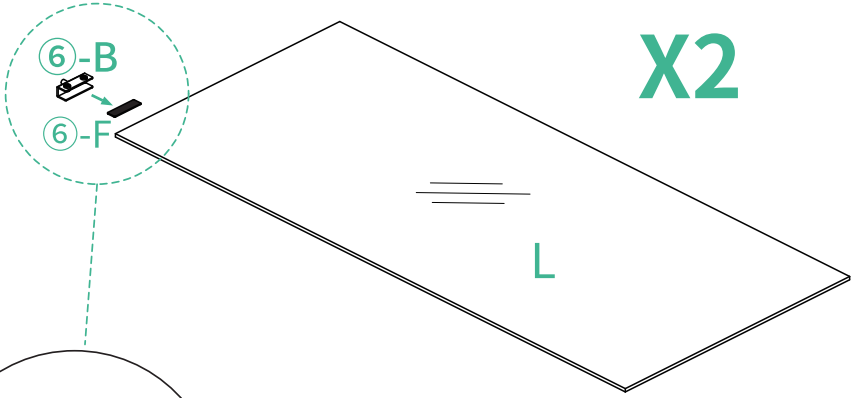
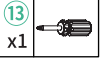
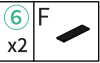
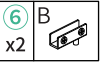


Align all parts with the glass board M before tightening screws.

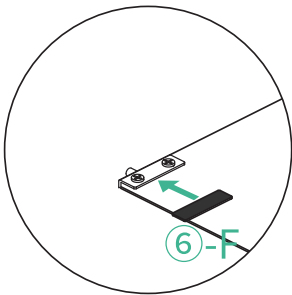


Assembly Instructions

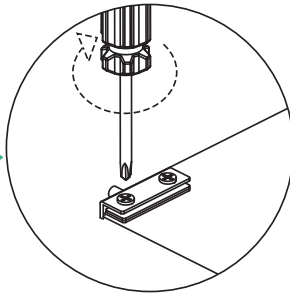
N-24



Push hinge 6-B to the top-left corner of glass board L.



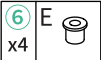
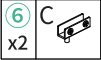
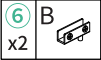
Insert plastic pad 6-F between hinge 6-B and glass board L.



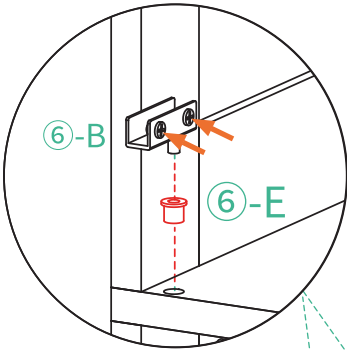
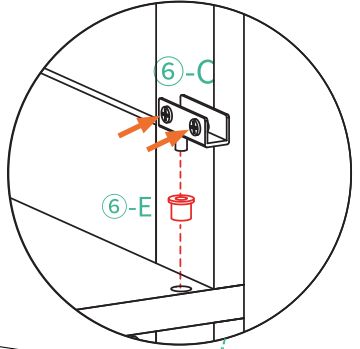
Align all parts with the glass board L before tightening screws.

Assembly Instructions

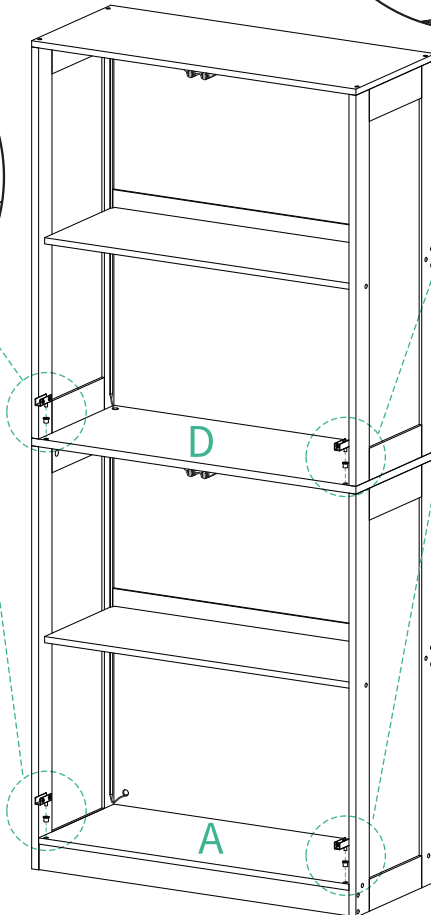
N-25



Insert 6-E into the holes on board A and board D, then connect hinge 6-B and 6-C to 6-E as illustrated.



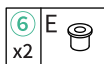
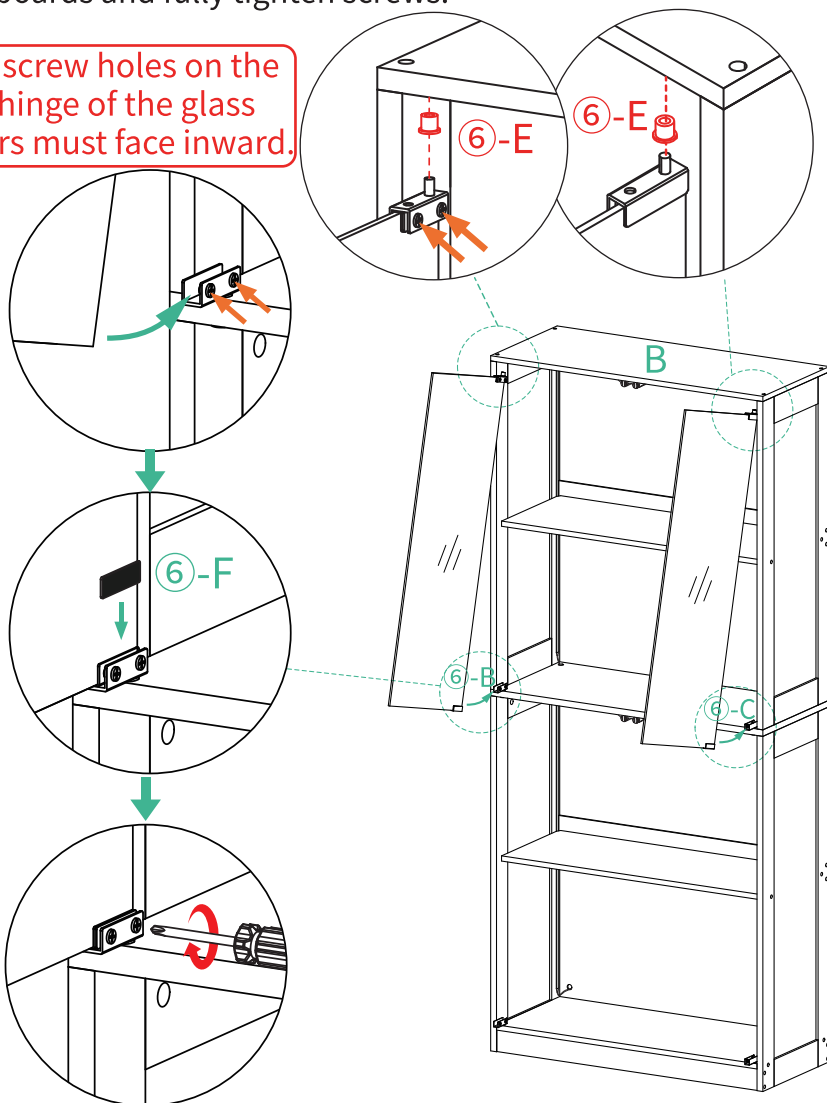
Screws marked with orange arrows should face inward.



Assembly Instructions

- N-26** 1. Attach parts ⑥-E to the top hinges of the glass doors, and insert the doors' top hinges into the holes on board B.
2. Insert the bottom of the glass doors into hinges ⑥-B and ⑥-C.
3. Insert plastic pad ⑥-F between the glass doors and the bottom hinges, align all components with the edge of glass boards and fully tighten screws.

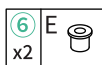
The screw holes on the top hinge of the glass doors must face inward.



Assembly Instructions

N-27

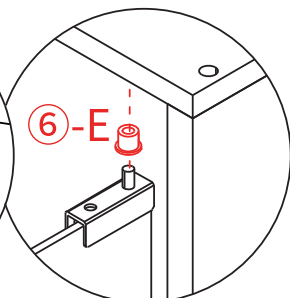
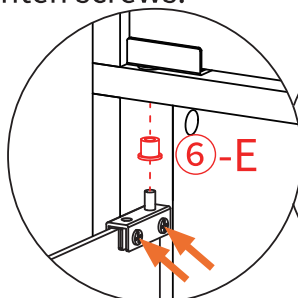
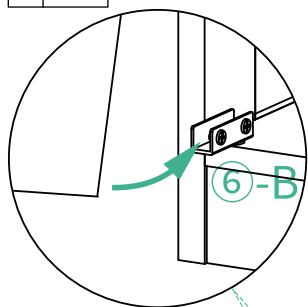
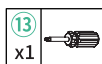
1. Attach parts ⑥-E to the top hinges of the glass doors, and insert the doors' top hinges into the holes on board D.



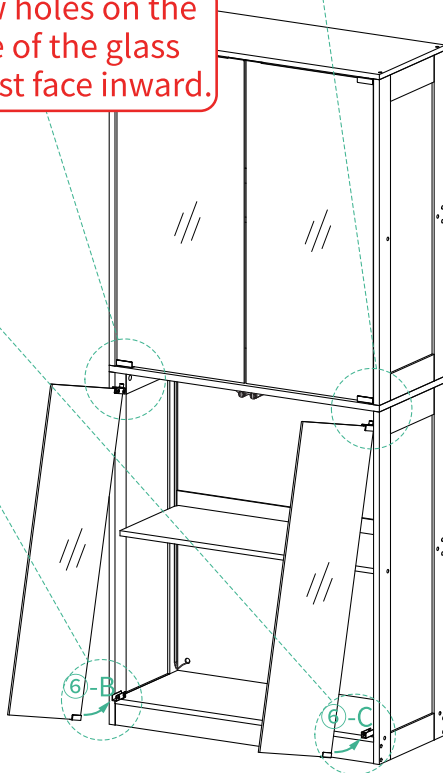
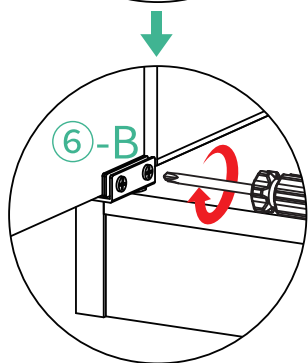
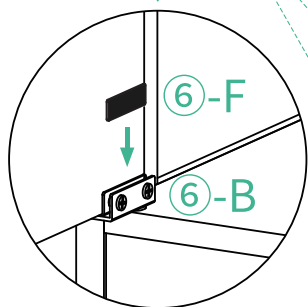
Insert the bottom of the glass doors into hinges ⑥-B and ⑥-C.



2. Insert plastic pad ⑥-F between the glass doors and the bottom hinges, align all components with the edge of glass boards, and fully tighten screws.

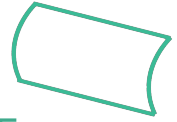
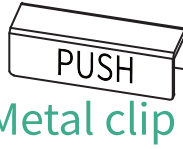
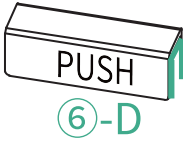


The screw holes on the top hinge of the glass doors must face inward.



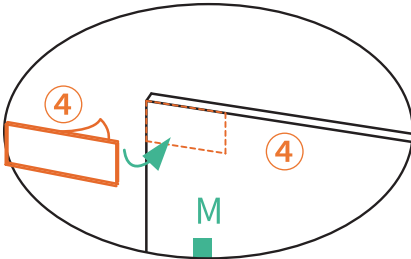
Assembly Instructions

N-28

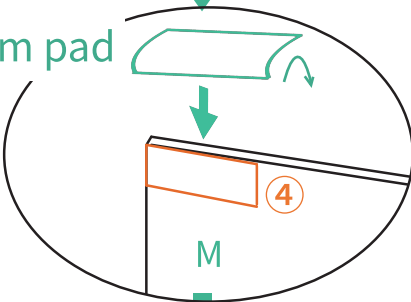


Foam pad

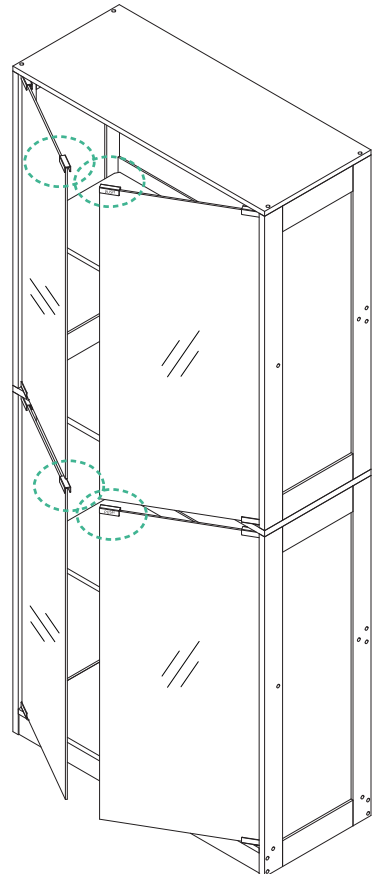
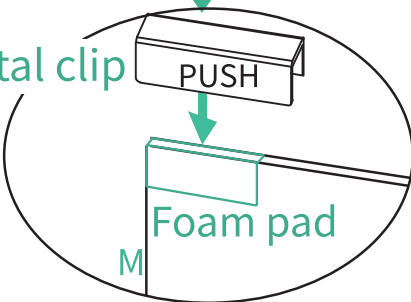
Remove the protective film from part ④ and adhere it to the top corner of glass board M (ensure alignment with the glass edge).



Foam pad

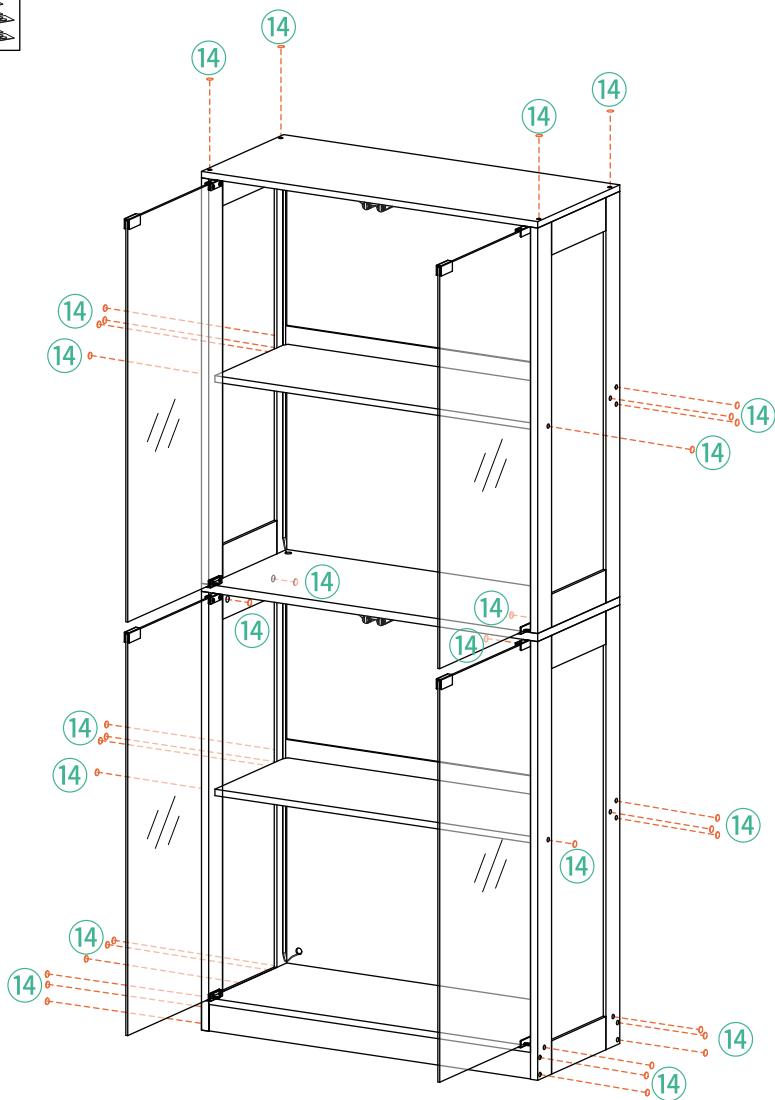
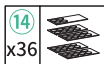


Metal clip



Assembly Instructions

N-29 Use sticker ⑭ to cover the hole.



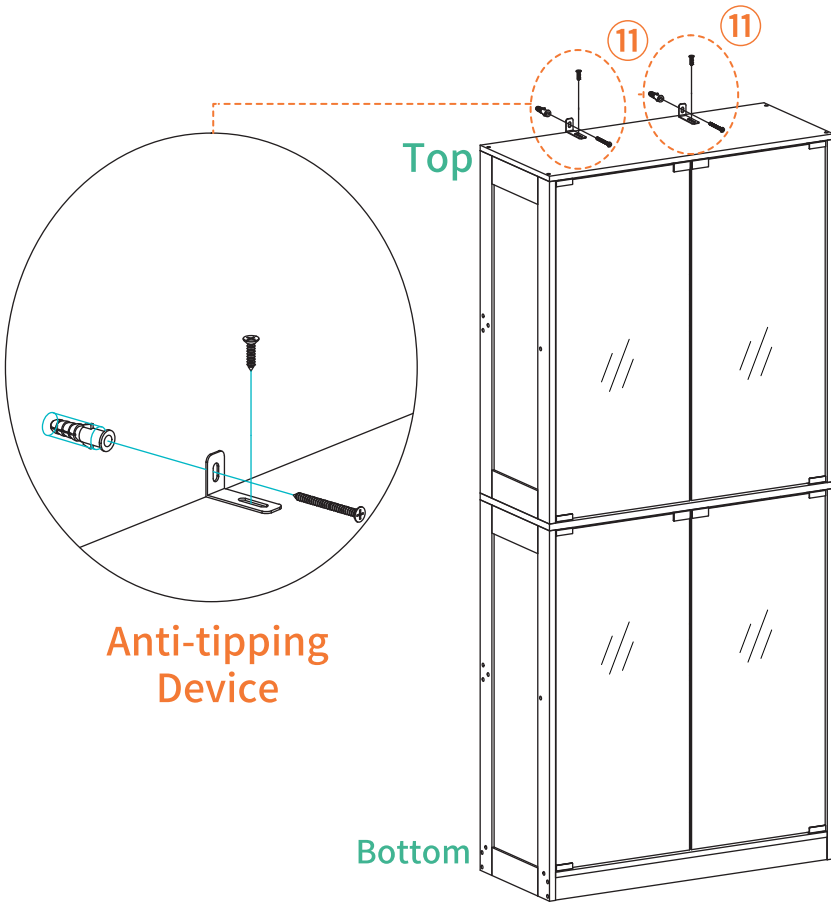
Assembly Instructions

N-30

Drill a 1/4-inch diameter hole in the wall with an electric drill, then install the anti-tip device according to the enlarged diagram.

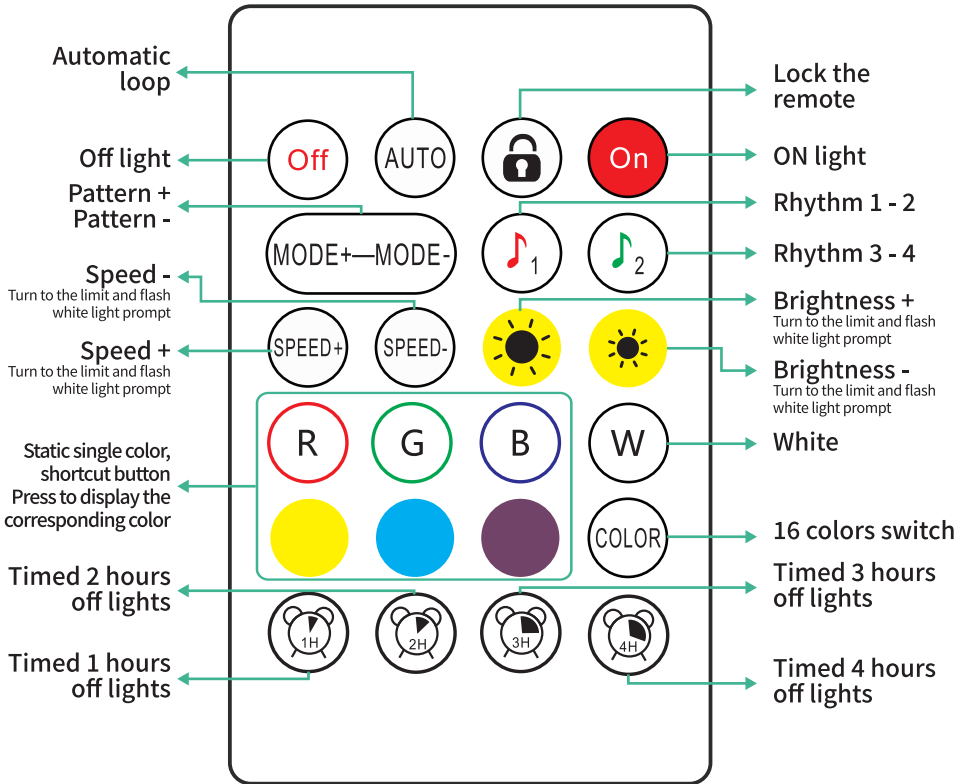


When installing, note that the short metal screws should be installed on the top plate and the long metal screws should be installed on the wall.



Assembly Instructions

Note: Please install two AAA batteries before use.



- Rhythm 1-2: Single click to switch to 1-2 rhythm mode
- Rhythm 3-4: Click to cycle through the 3-4 rhythm mode

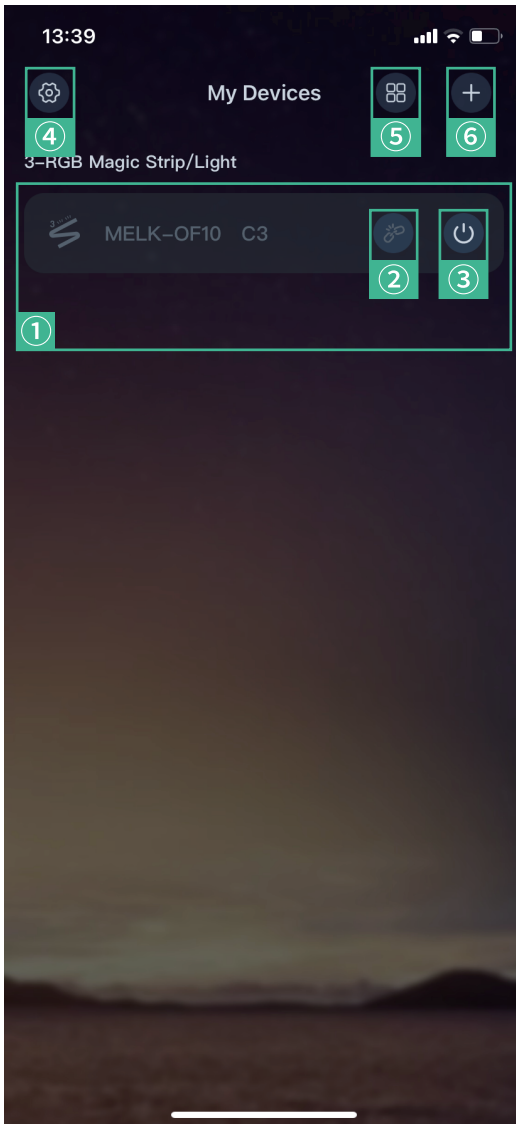
Code matching function: Within 10 seconds of power on, press the lock button on the remote control, and the light will flash white three times, indicating that the code matching is complete. After the code matching is completed, only the remote control that has passed the code can remotely control the controller. Press the lock button again after the code matching is completed to decode the complex code function.

Welcome to our App! Here are some guidelines to help you better use the App, including features:

First, authorization of the relevant cell phone system permissions is required to use the App functions, and you need to agree to enable the permissions to use the App functions normally.

Attention:

- In the process of installing the App, click “Allowed” in all pop-up windows.
- If you can't use it normally after installing the App, please restart your phone or remove the App and reinstall it.



1.My Device

- ① Device list. Display searched devices and highlight when a device is available for connection.
- ② Connection status. Click to connect/ disconnect the device.
- ③ Light switch button. Click to turn on/off the light when it is connected.
- ④ Setup button. Click to jump to the settings page.
- ⑤ Switch the presentation of the device list.
- ⑥ Add the device/ group/ virtual device entry.