











Assembly Instructions

Caution : You must read this before you proceed

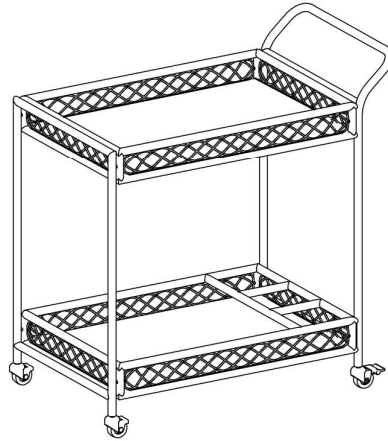
Care & Maintenance

-  ● Do not put hot items directly on furniture surface
-  ● Do not clean furniture with harsh cleansers or polish.
-  ● To obtain the longest lifespan of your outdoor products, minimizing exposure to direct sunlight is recommended.
-  ● Children should not climb or jump on the furniture.
-  ● Do not write on furniture without a padded barrier to protect the surface.
-  ● To obtain the longest lifespan of your outdoor products, avoid extended and lengthy exposure to rain, snow, and direct sunshine. Whenever possible cover the product and/or place under patio or awnings.
-  ● Not for commercial use. For residential use only.
-  ● Stains may be removed with mild soap solution and damp cloth.
-  ● Keep away from sources of ignition.
-  ● Dust and pick-up spills using a clean, non-colored, lint-free cloth.

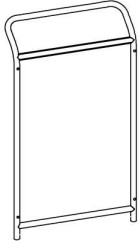
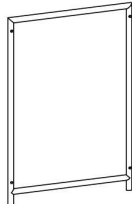
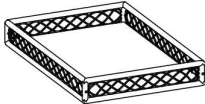
Assembly Instructions




CAUTION: You must read this Assembly Instructions before you proceed

BAR CART




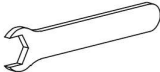


Part List




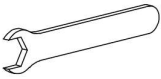
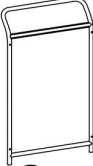





Label	Picture	Description	QTY
A		Back leg	1
B		Front leg	1
C		Top shelf	1






D		Bottom shelf	1
E		Wheel 1	2
F		Wheel 2	2

Hardware

Label	Picture	Description	QTY
①		Bolt (M6x45mm)	9
②		Washer (M6x15mm)	9
③		Allen Wrench	1
④		Spanner	1

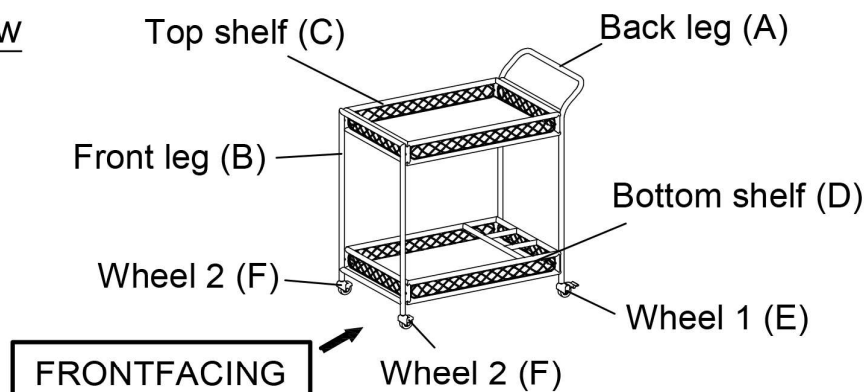
Assembly Preparation

Before Beginning Assembly:				
	①x9	②x9	③x1	④x1
				
	Ⓐx1	Ⓑx1	Ⓒx1	Ⓓx1
				 
				Ⓔx2 Ⓕx2

-  • Read instructions, cover to cover-
-  • Have 2 adults on hand for assembly-
-  • Do not assemble on flooring or carpet-
-  • Assemble on a clean non-marring surface (packing foam)-
-  • Save all packaging until finished-

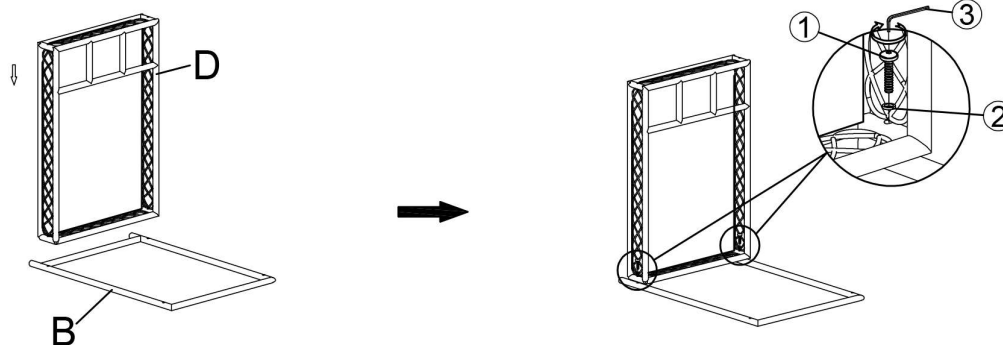
Assembly Steps

Overview



This Bar Cart can take up to 30 minutes to assemble. To give you an overview of the table parts, the image above will give you a better idea of each part. Please read the instructions below carefully to familiarize yourself with the parts and steps before assembling.

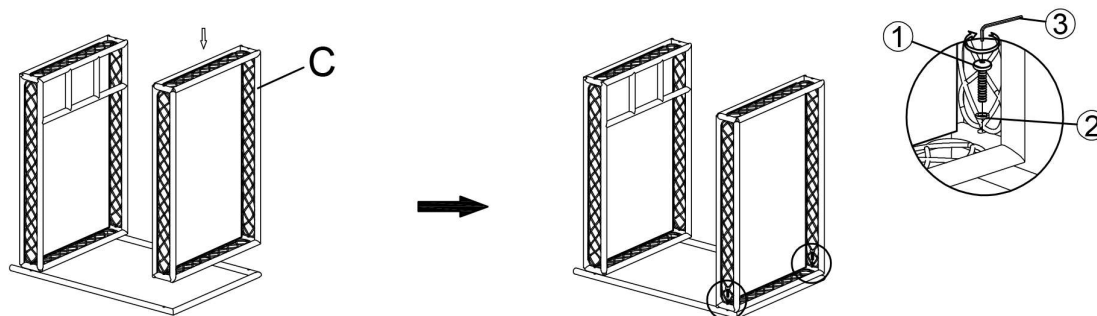
Step 1



Open the carton and place all the parts onto a clean, non-marring surface. Attach Bottom Shelf(D) to Front Leg(B) using Bolt(①) and Washer(②) with Allen Wrench(③).

Do Not fully tighten.

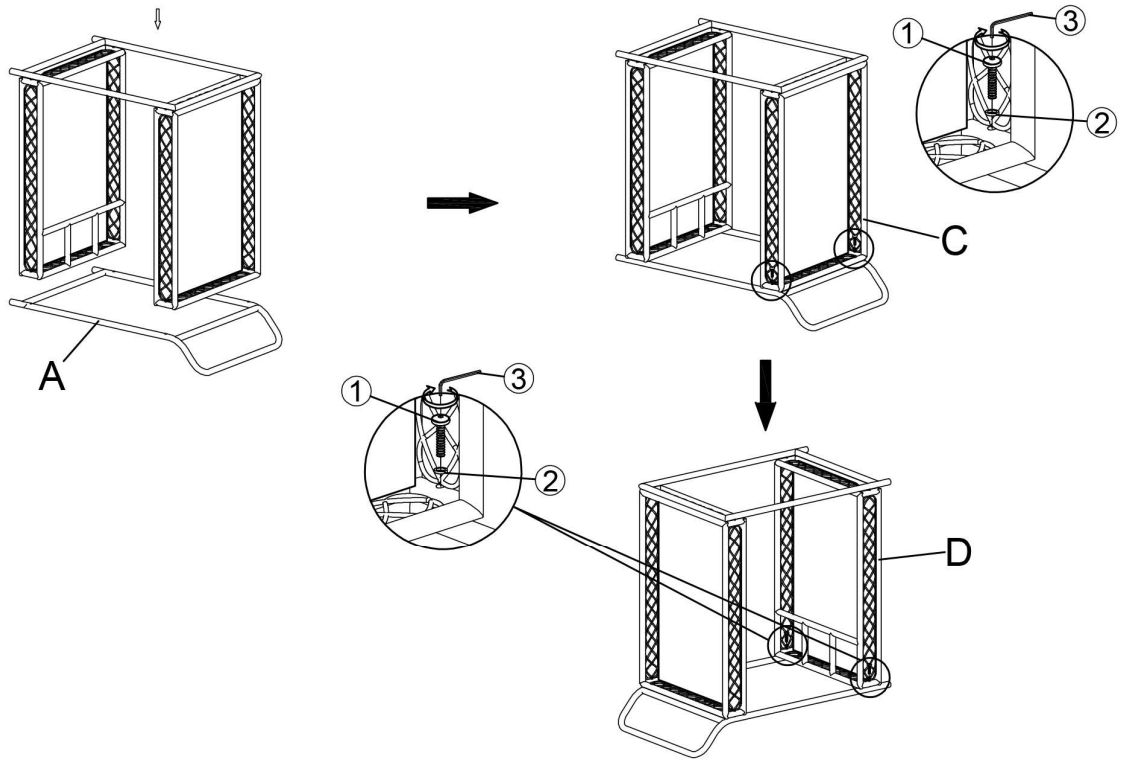
Step 2



Attach Bottom Shelf(C) to Front Leg(B) using Bolt(①) and Washer(②) with Allen Wrench(③).

Do Not fully tighten.

Step 3

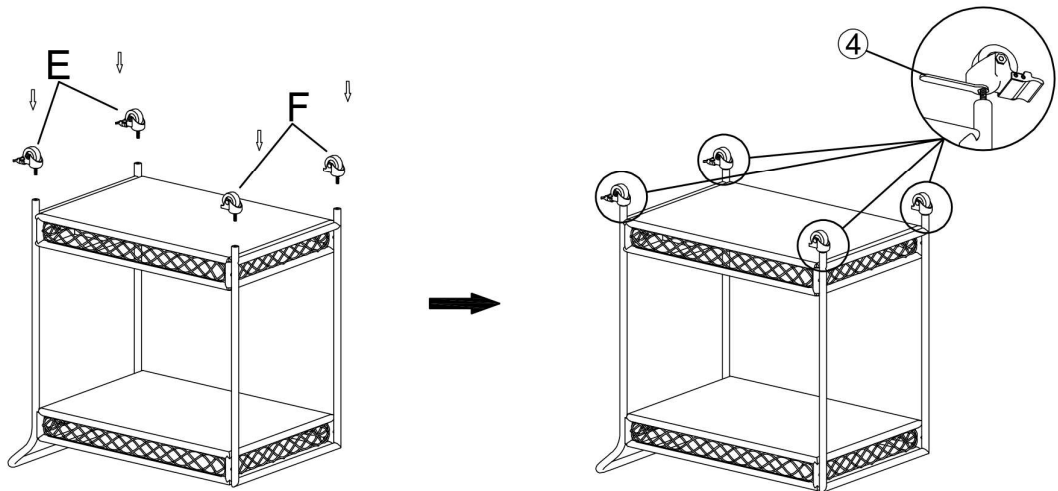


Attach Top Shelf(C) to Back Leg(A) using Bolt(①) and Washer(②) with Allen Wrench(③).

Similarly Attach Bottom Shelf(D) to Back Leg(A) using Bolt(①) and Washer(②) with Allen Wrench(③).

Do Not fully tighten.

Step 4



Attach Wheel 1(E) to Back Leg(A) using Spanner(④) .

Similarly Attach Wheel 2(F) to Front Leg(B) using Spanner(④) .

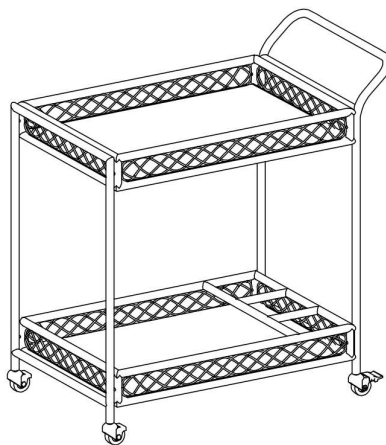
Tighten all the remaining bolt.

Do Not fully tighten a bolt in one go and then move on to the next.

Rather, in a gradual and sequential manner, proceed to fully and securely tighten all Bolts at all joints.

This methodology will ensure maximum evenness once all bolts are fully tightened.

Step 5



With the assistance of an adult, turn the chair right side up.
The Bar Cart is ready for use.
The Bar Cart can only be used on a flat, level surface.