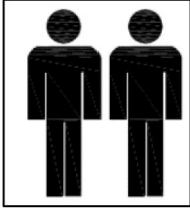
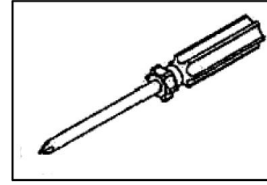


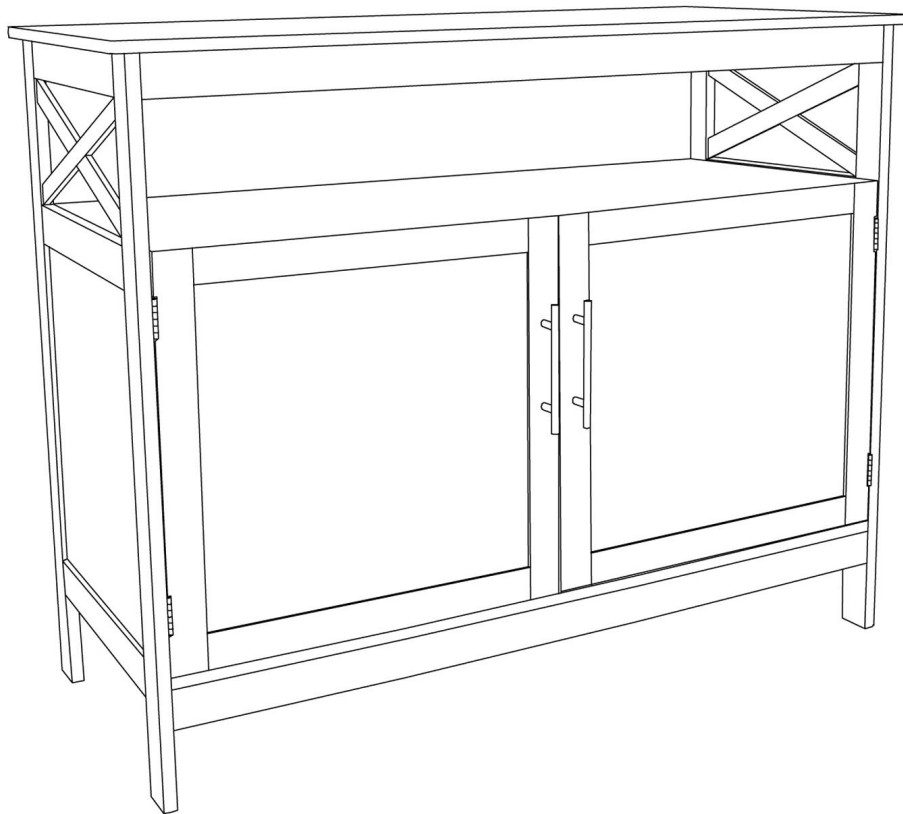
# ASSEMBLY INSTRUCTION



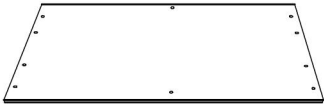


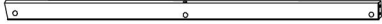

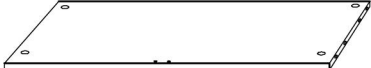

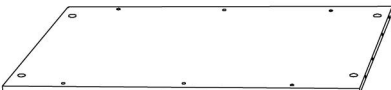


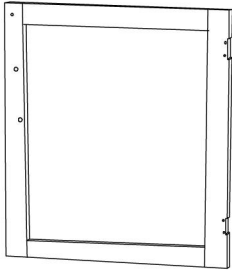
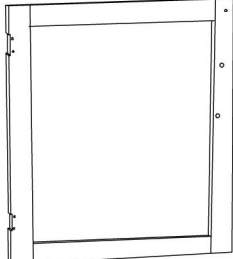

**TWO PERSON ASSEMBLY**

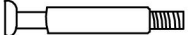



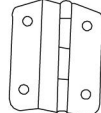




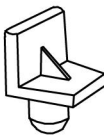
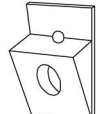



**REQUIRED ASSEMBLY TOOLS  
(NOT INCLUDED)**

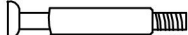




# Parts list

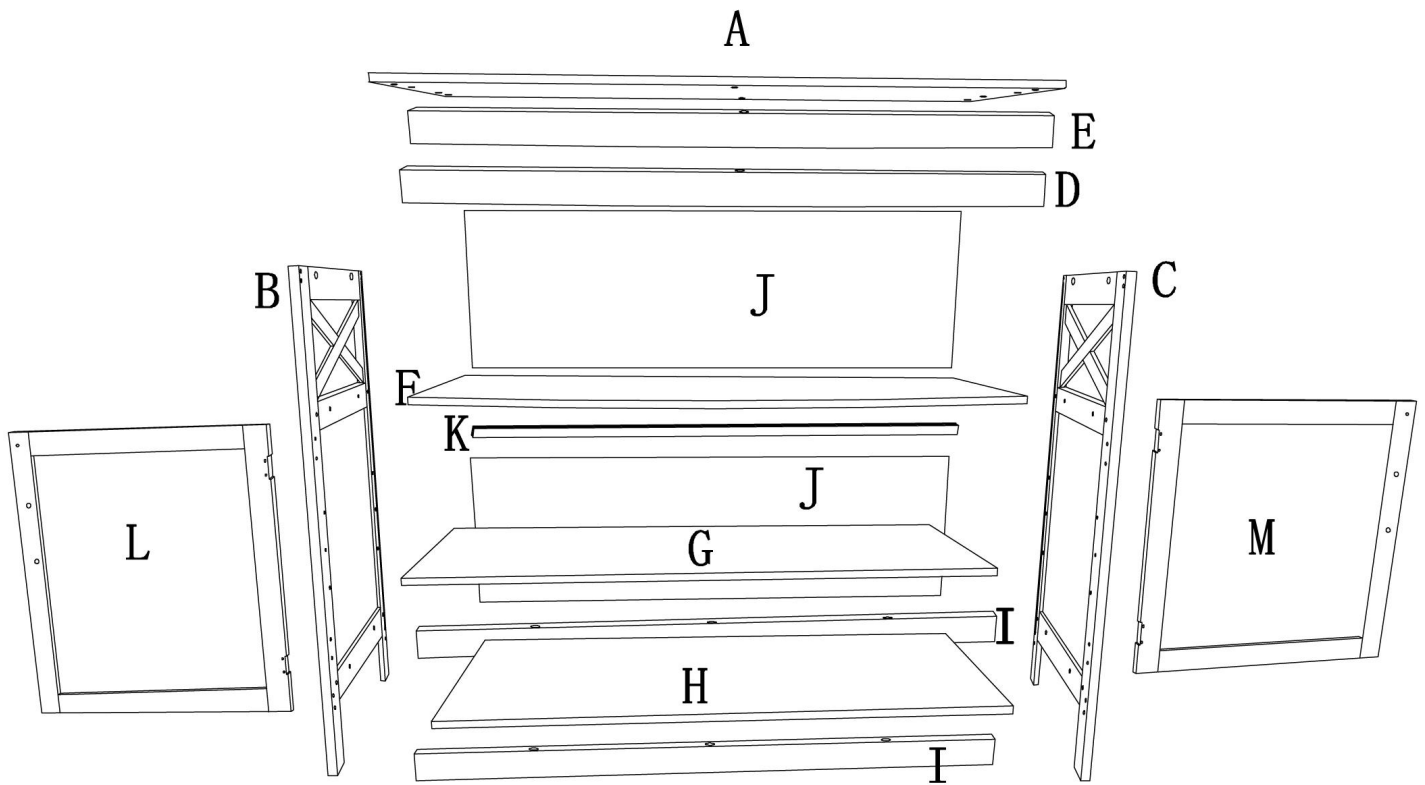
<p><b>A</b></p>  <p>x1</p>	<p><b>B</b></p>  <p>x1</p>	<p><b>C</b></p>  <p>x1</p>	<p><b>D</b></p>  <p>x1</p>
<p><b>E</b></p>  <p>x1</p>			<p><b>F</b></p>  <p>x1</p>
<p><b>G</b></p>  <p>x1</p>	<p><b>H</b></p>  <p>x1</p>	<p><b>I</b></p>  <p>x2</p>	
<p><b>J</b></p>  <p>x2</p>	<p><b>L</b></p>  <p>x1</p>	<p><b>M</b></p>  <p>x1</p>	
<p><b>K</b></p>  <p>x1</p>			

<p><b>a</b></p>  <p>x24</p>	<p><b>b</b></p>  <p>x24</p>	<p><b>c</b></p>  <p>x24</p>	<p><b>d</b> 3x14mm</p>  <p>x20</p>	<p><b>e</b></p>  <p>x4</p>	<p><b>f</b> 4x16mm</p>  <p>x4</p>
<p><b>g</b></p>  <p>x2</p>	<p><b>h</b></p>  <p>x2</p>	<p><b>i</b></p>  <p>x1</p>	<p><b>j</b></p>  <p>x4</p>	<p><b>k</b></p>  <p>x8</p>	<p><b>l</b> 3x16mm</p>  <p>x8</p>

## Spare Parts



<p><b>a</b></p>  <p>x1</p>	<p><b>b</b></p>  <p>x1</p>	<p><b>c</b></p>  <p>x1</p>
---	---	--

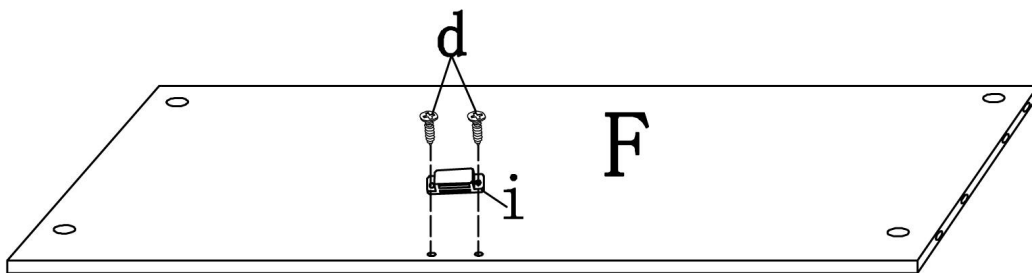
# Overview



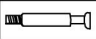


# Assembly Steps

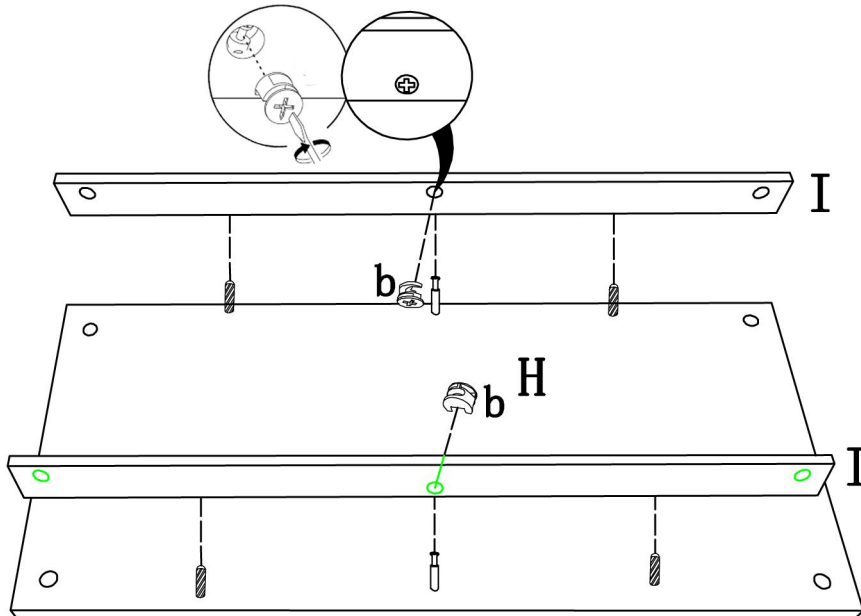
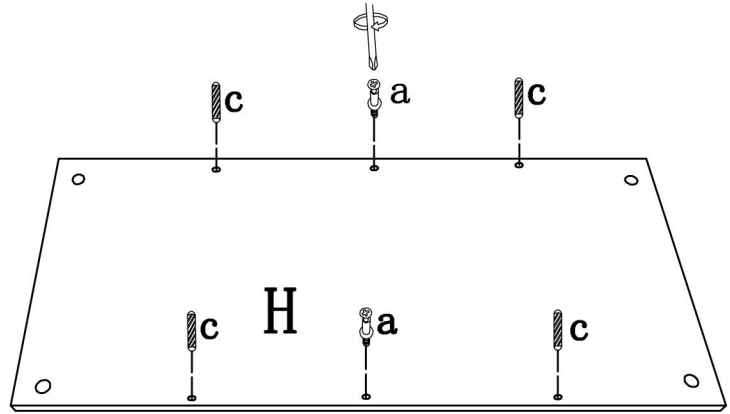
## STEP 1

	d×2
	i×1

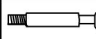



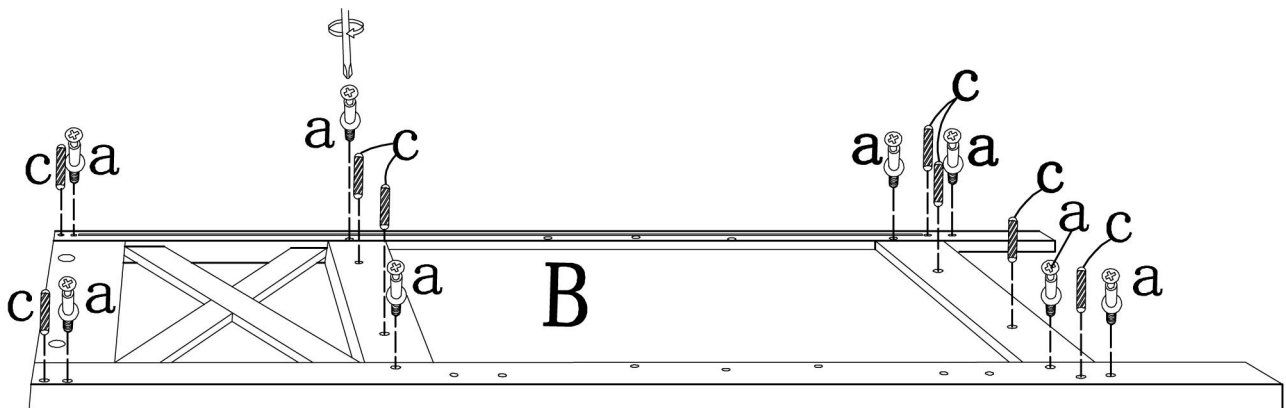
## STEP 2

	a×2
	b×2
	c×4




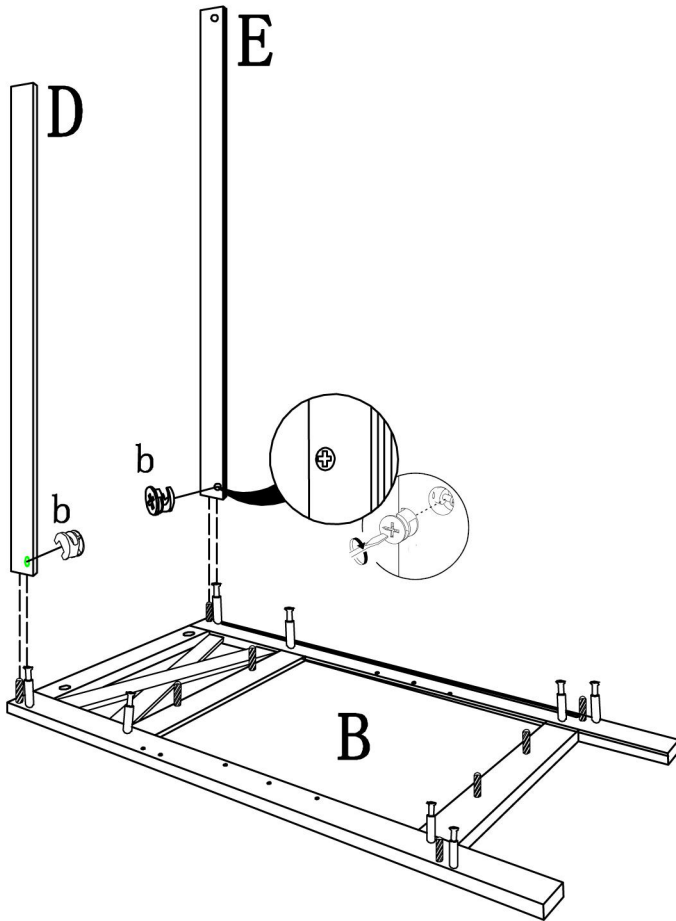
## STEP 3

	a×8
	c×8




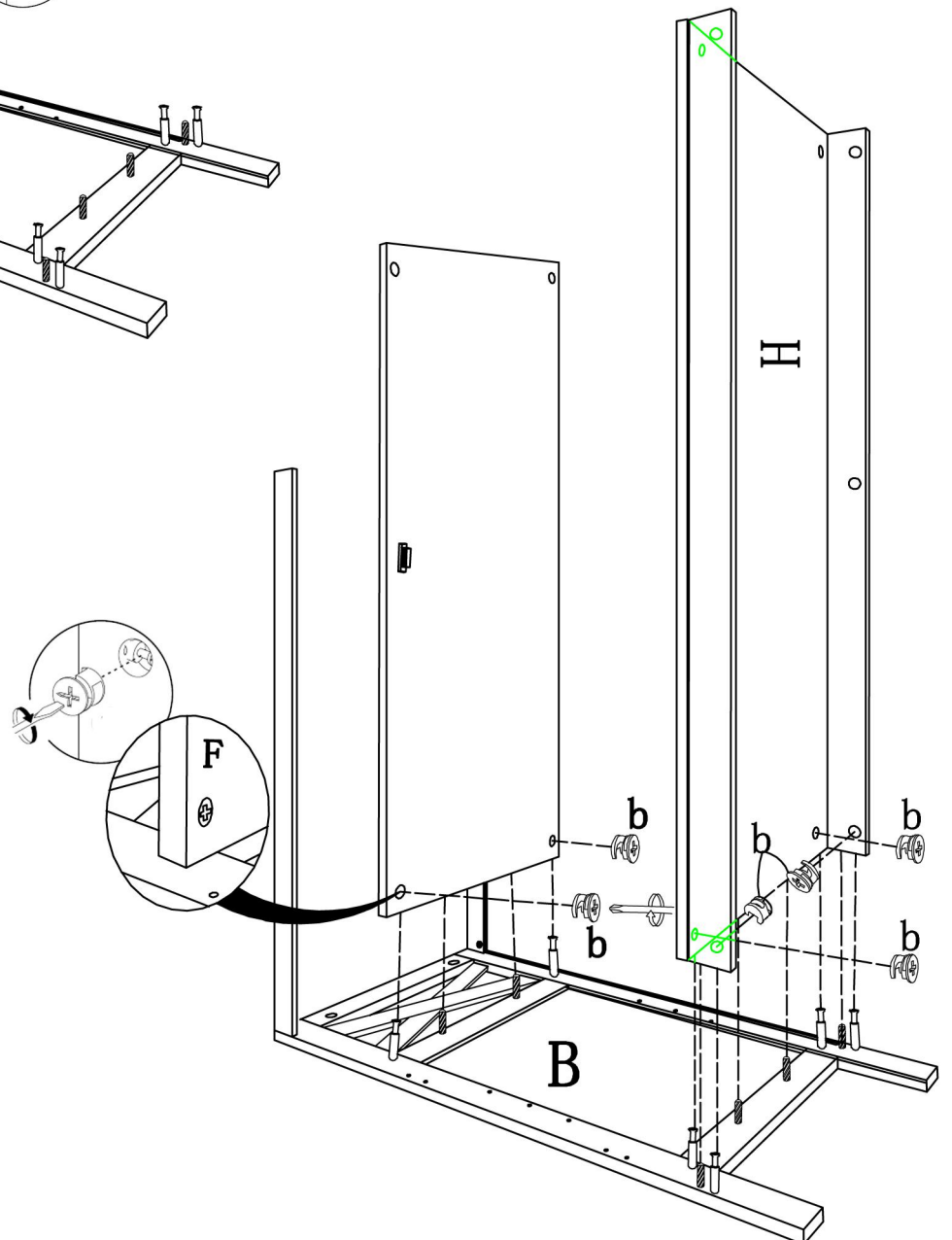
# STEP 4

 b×2

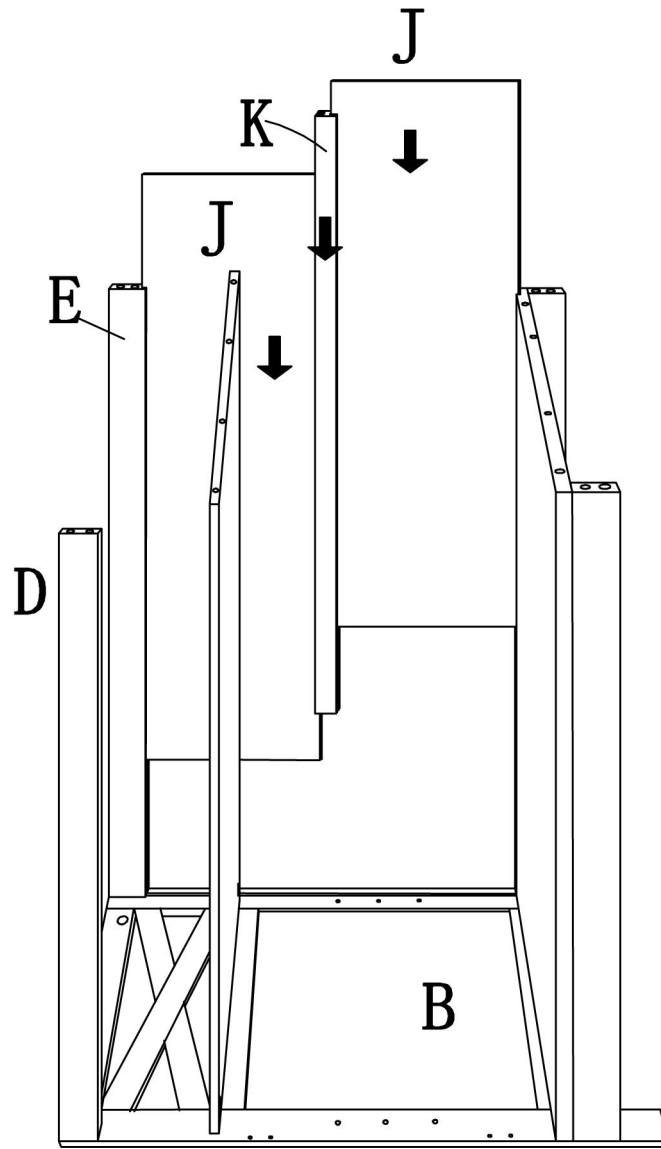


# STEP 5

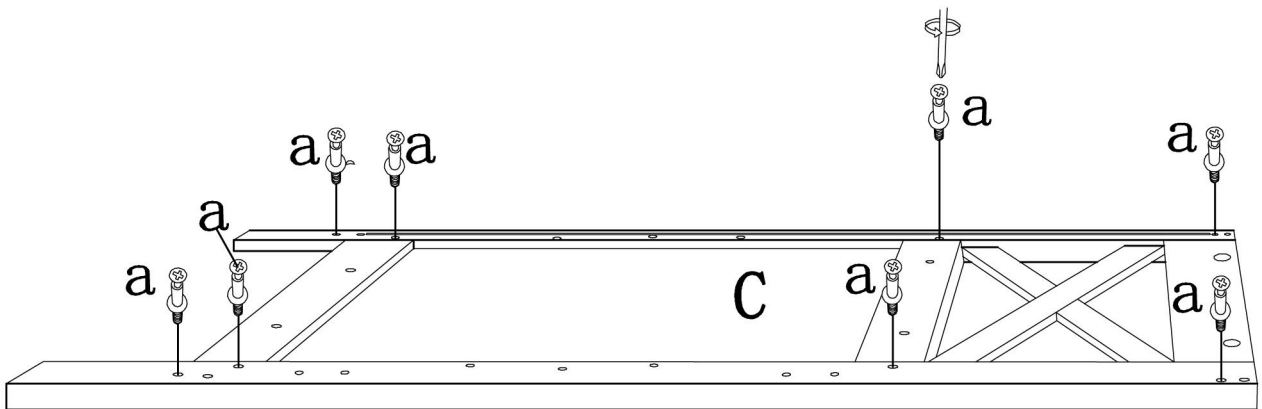
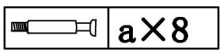
 b×6




# STEP 6

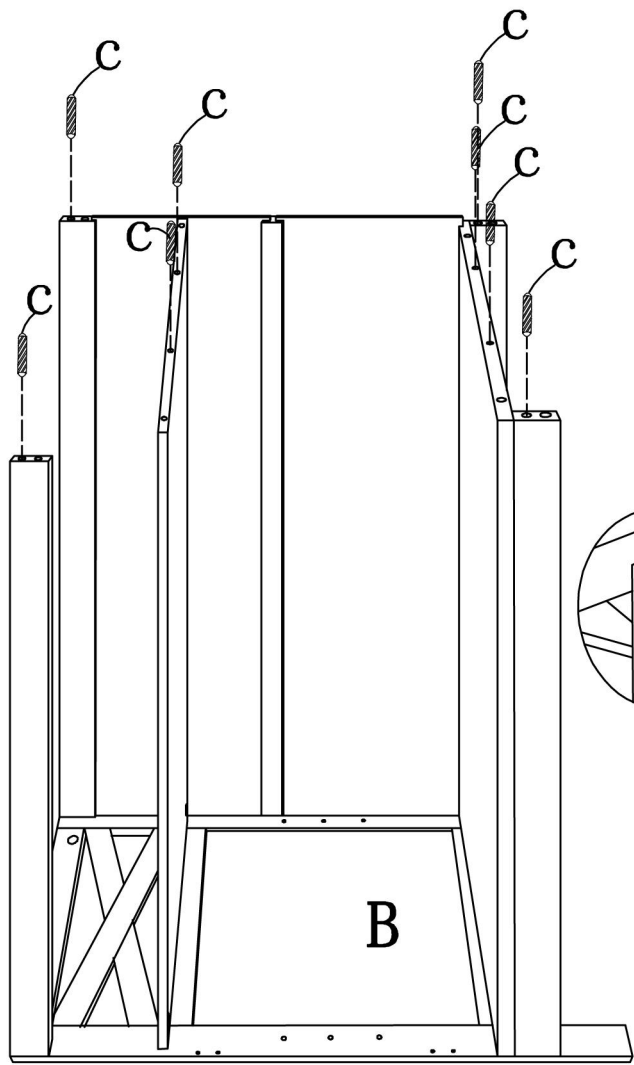


# STEP 7




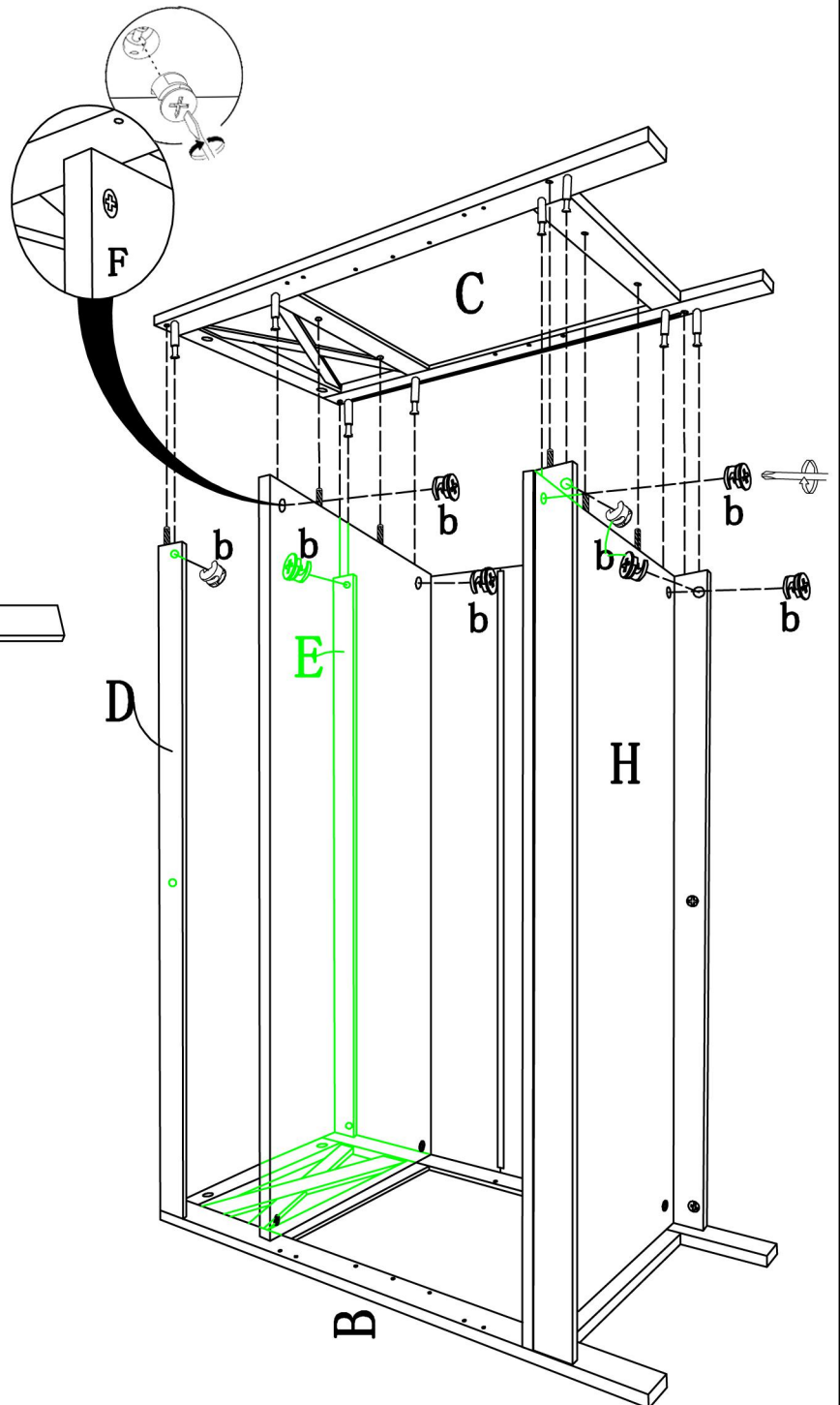
# STEP 8

 cX8

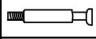



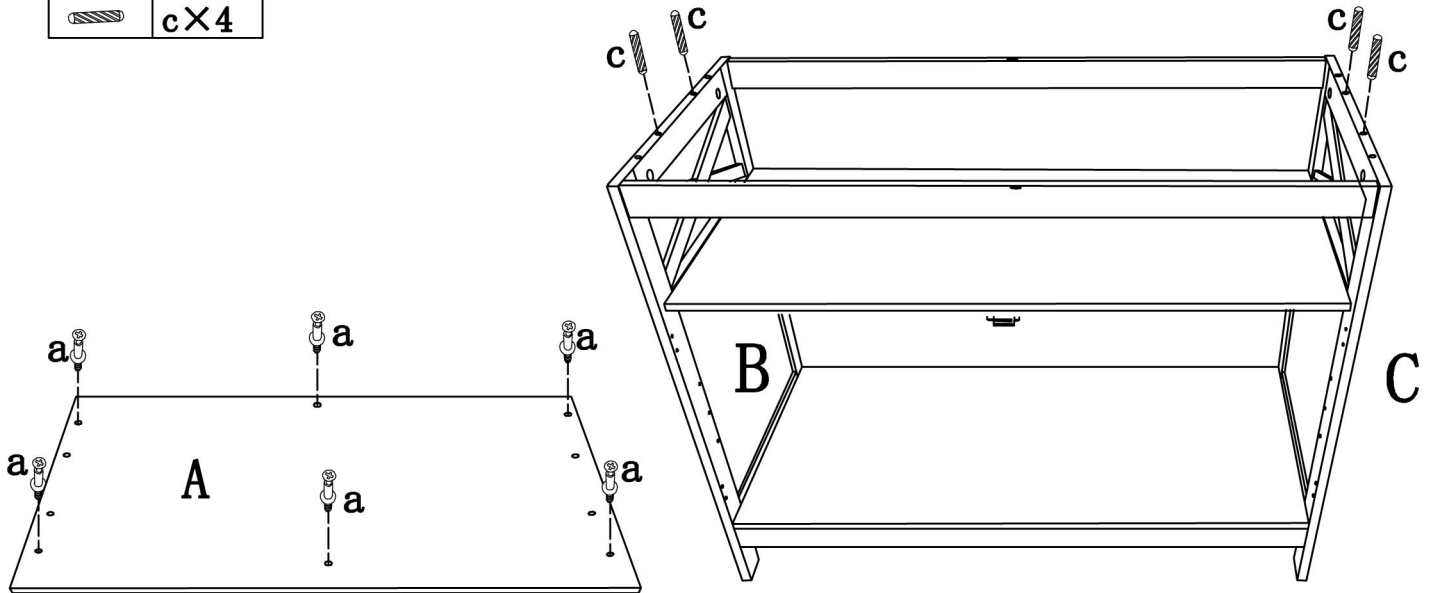
# STEP 9

 bX8




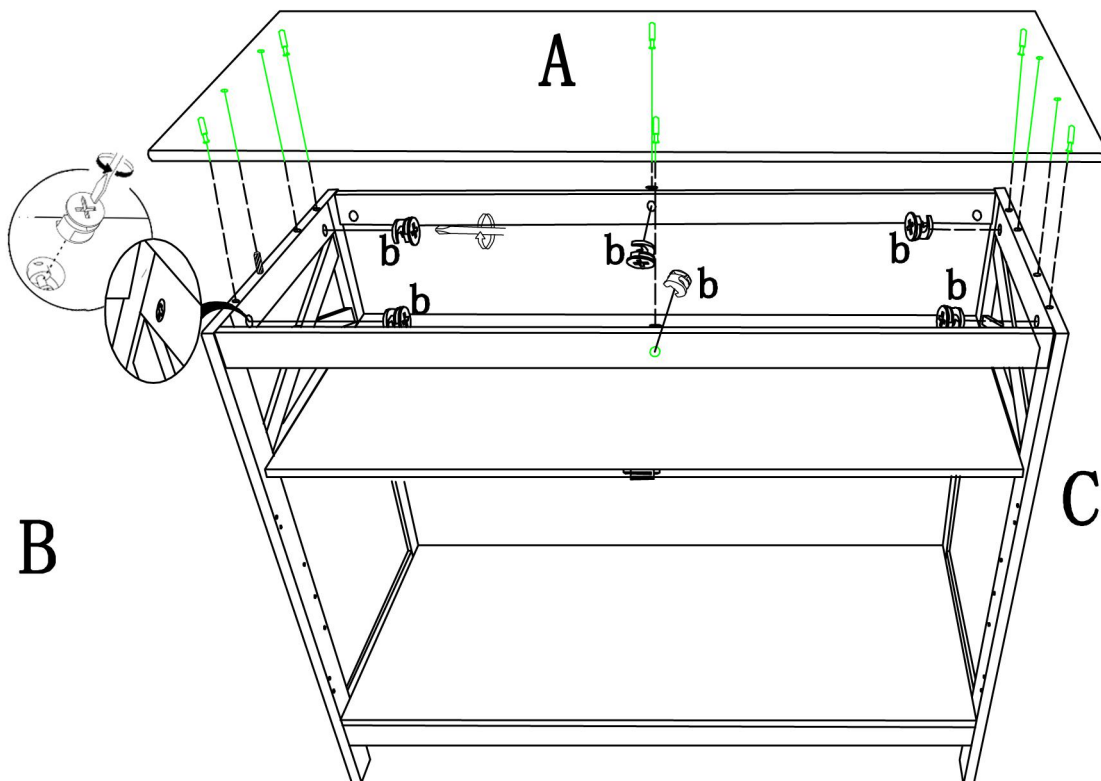
## STEP 10

	a×6
	c×4




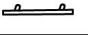



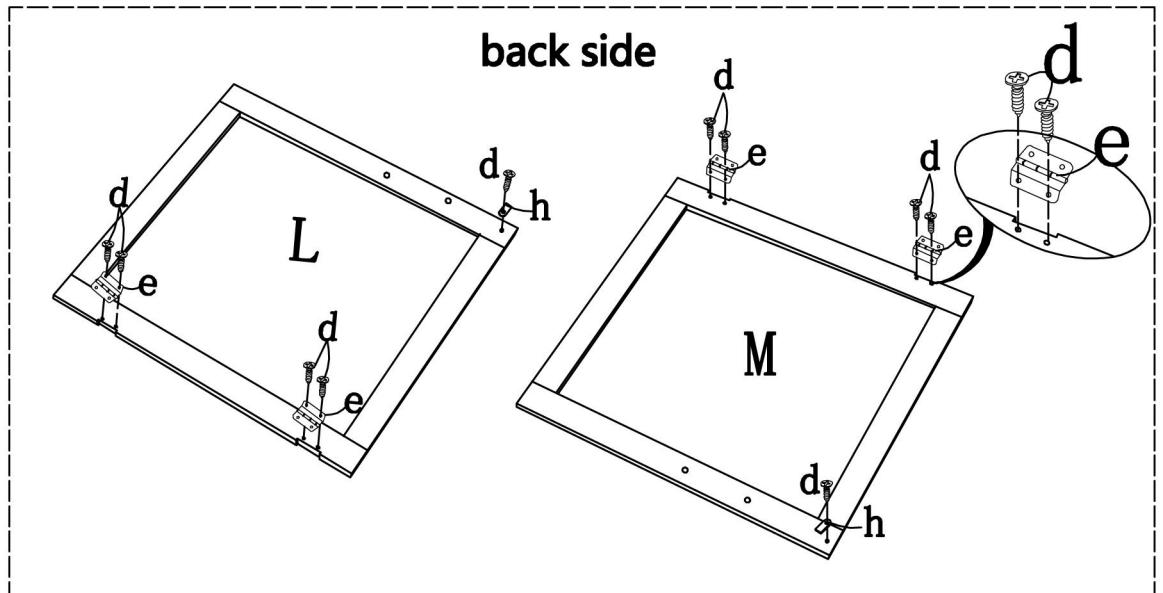
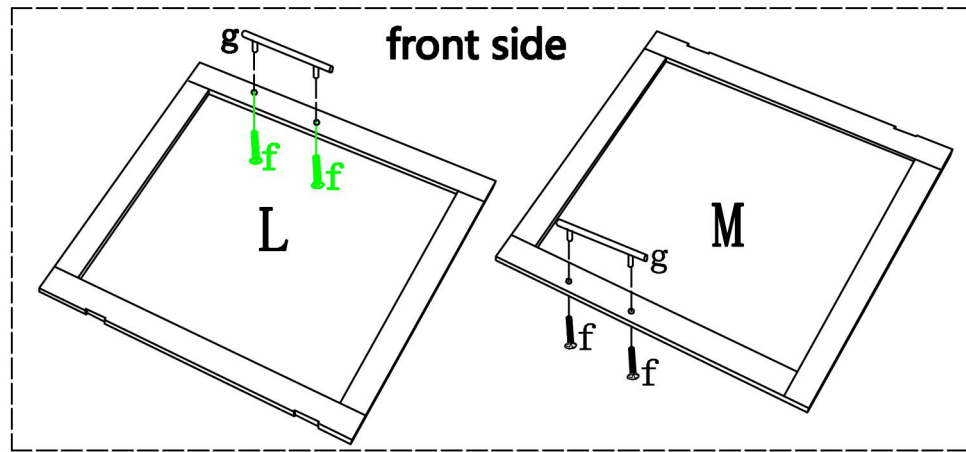
## STEP 11

	b×6
---	-----




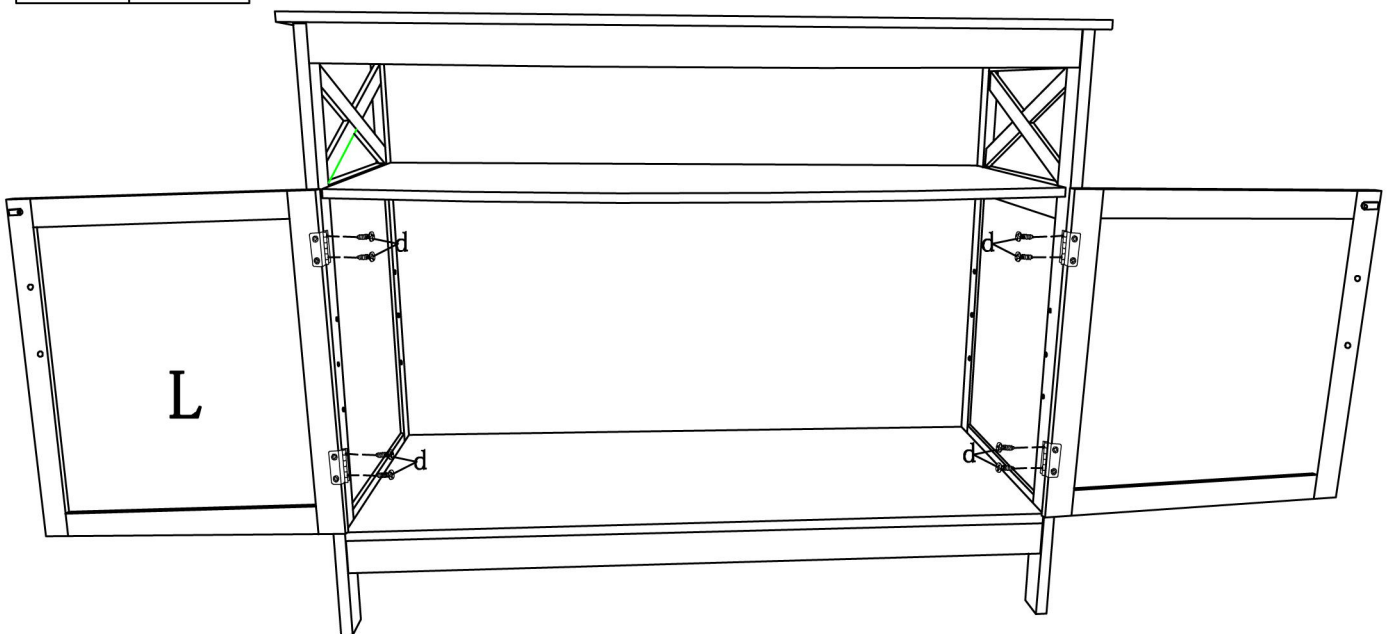
## STEP 12

	d×10
	e×4
	f×4
	g×2
	h×2




## STEP 13

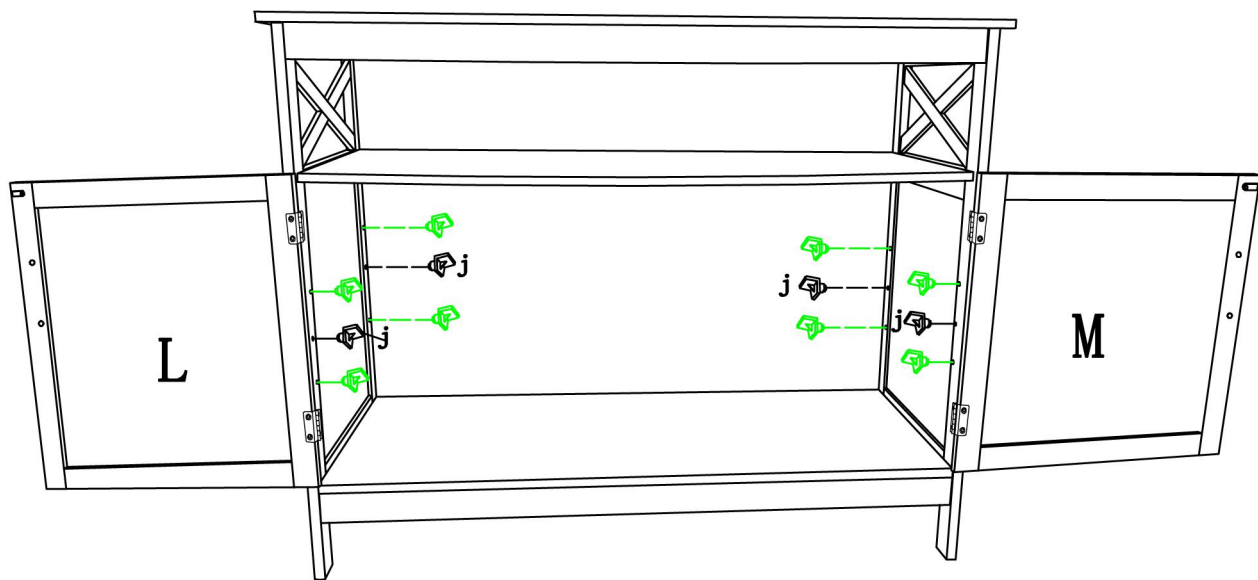
	d×8
---	-----



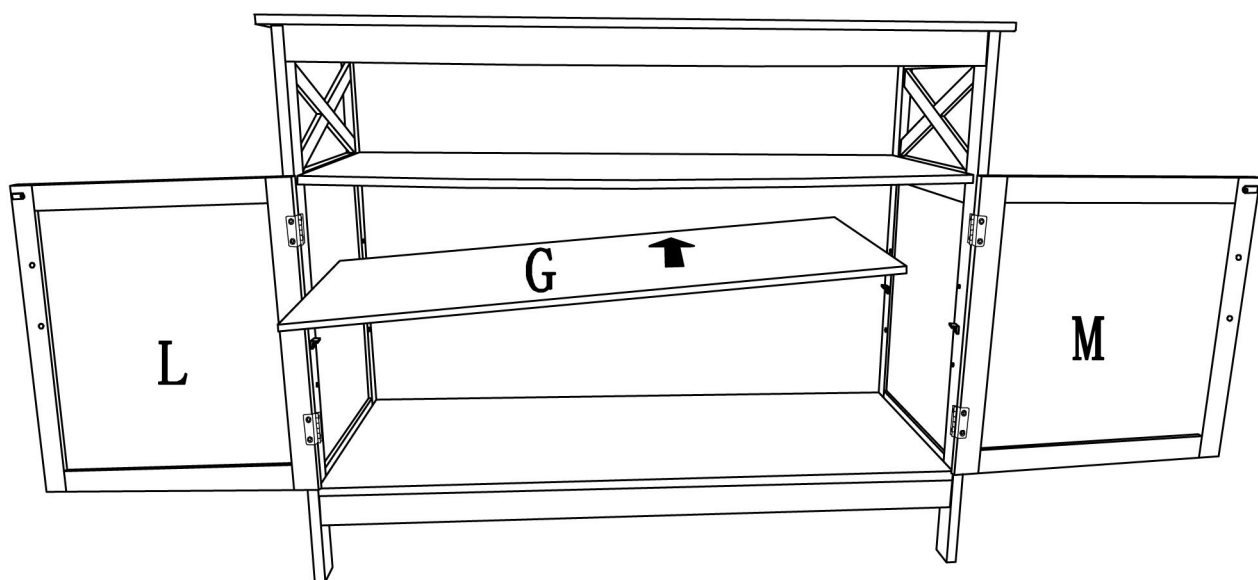
**Tips:** If you found a gap between left and right doors, please try to loosen the screws for hinges and adjust the door, do not over-tighten the screws.

## STEP 14



 j×4

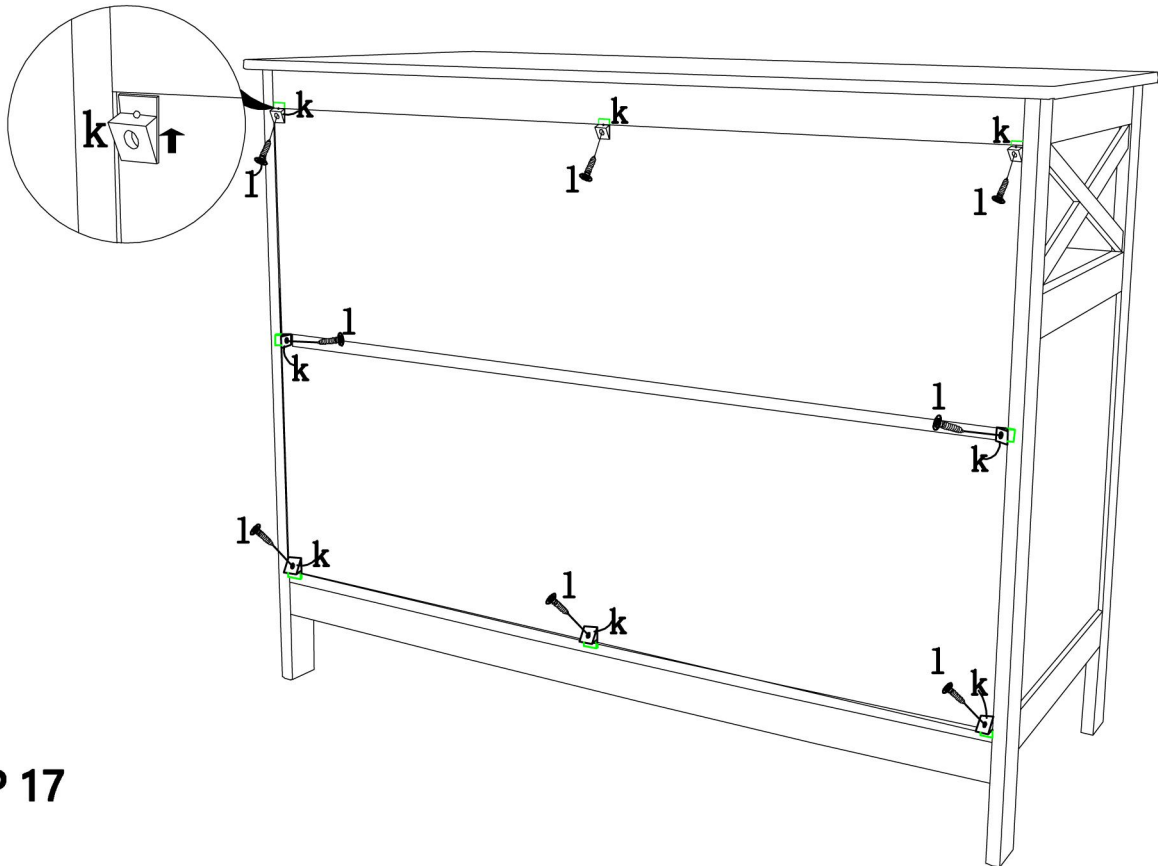


## STEP 15

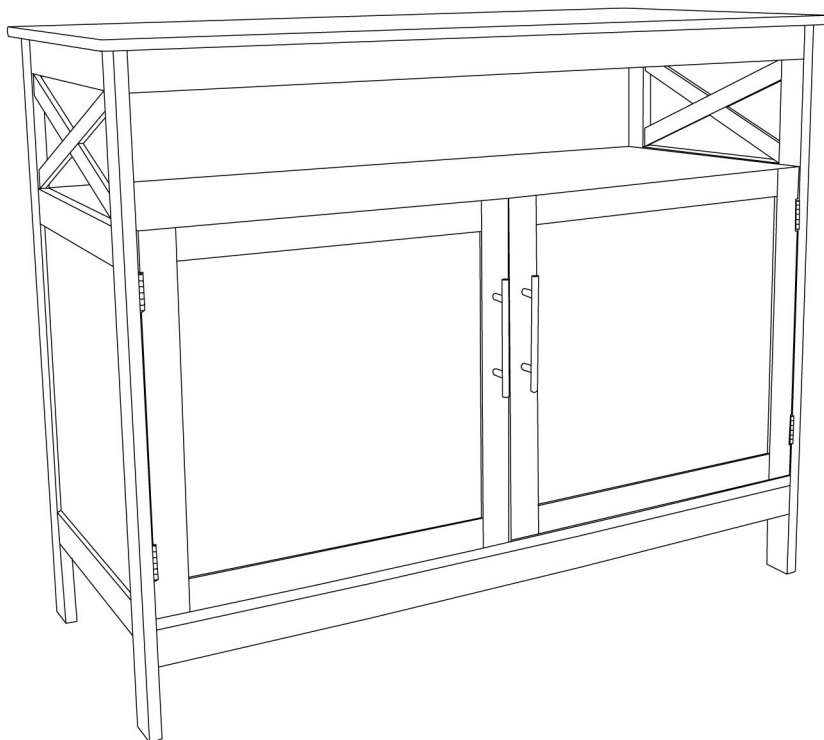


## STEP 16

	k×8
	1×8



## STEP 17



**Notice:** If the cabinet wobbles, please check again all the cam locks and make sure they are all tightened.