

# ASSEMBLY INSTRUCTIONS

Thank you for purchasing the quality product. Be sure to check all packing material carefully for small parts which may have come loose inside the carton during shipment. Separate, identify and count all parts and metal hardware. Compare with all parts list to be sure all parts are present. If any part (s) are missing or damaged, please contact your local furniture dealer. For efficient and speedy service, please indicate the model number and code letter of part (s) needed.

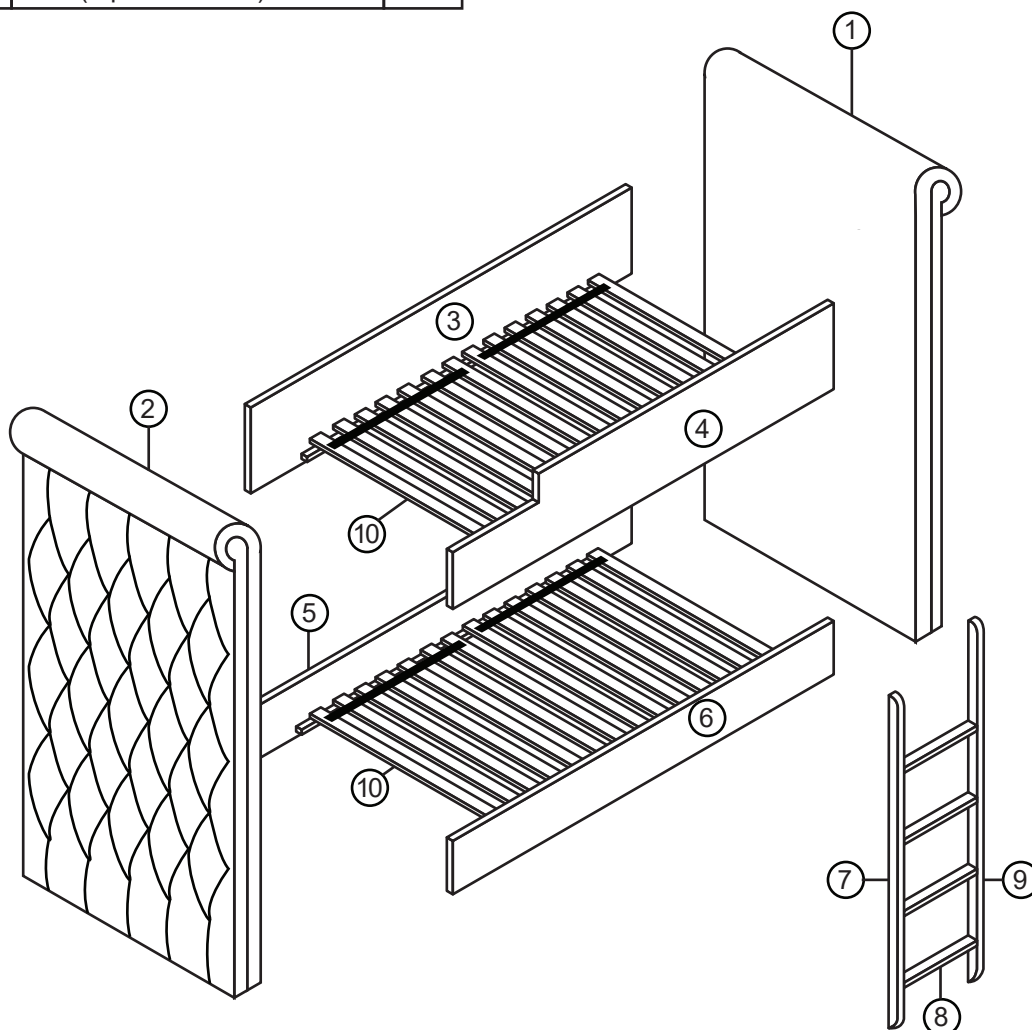
**\*\*\*Do not fully tighten bolts and screws until fully assembled\*\*\***

## PART LIST :

BOX#	PART#	DESCRIPTION	QTY
1	1	Panel A	1
	2	Panel B	1
2	3	SR-Top-Left	1
	4	SR-Top-Right	1
	5	SR-Bottom-Left	1
	6	SR-Bottom-Right	1
	7	Ladder Stile Left	1
	8	Ladder Thread	4
	9	Ladder Stile Right	1
	10	Slat (7 pcs / Bundle)	4

## HARDWARE LIST :

NO	DESCRIPTION	QTY
A	Allen Key M4 With Ball	1
B	JCBC Bolt M6 x 40mm	35
C	CSK Screw M4 x 32mm	32
D	Spring Washer M6 x 13 x 1.0	27
E	Flat Washer Medium M7 x 19 x 2.0	27
F	Wood Dowel M8 x 30mm	8



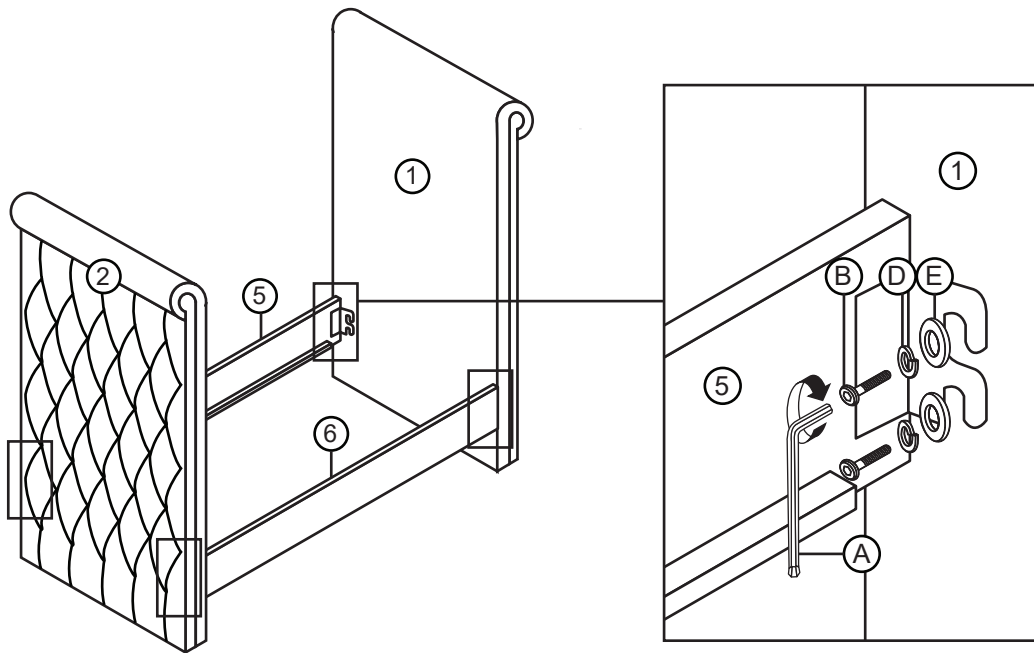
### Attention:

\*\*\* Some number parts listed on the instruction sheet may not be in parts bag as they may already be assembled. Carefully check parts and packing materials prior to ordering replacements.

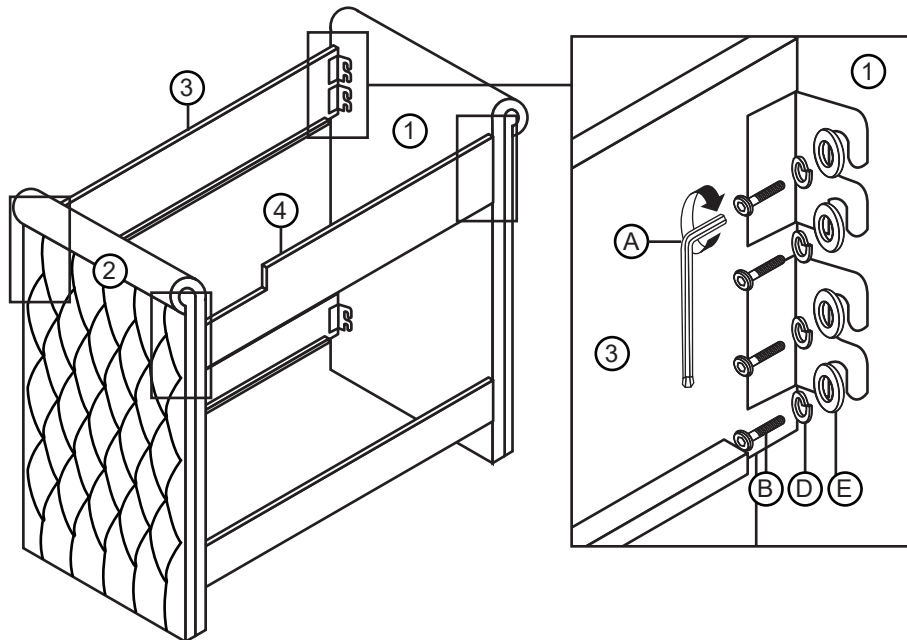
Revised Date: 22 / 03 / 2019

# HOW TO ASSEMBLY :

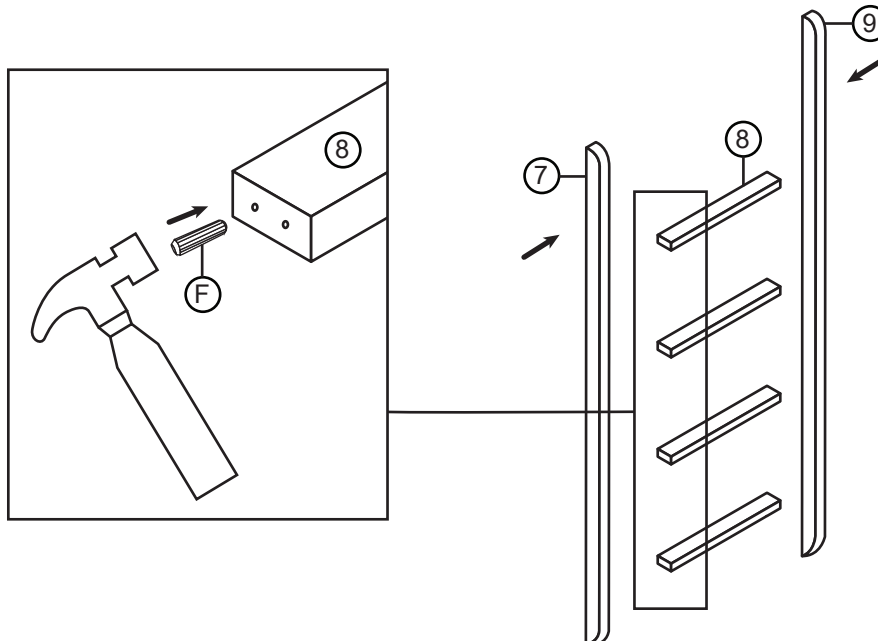
## STEP: 1



## STEP: 2

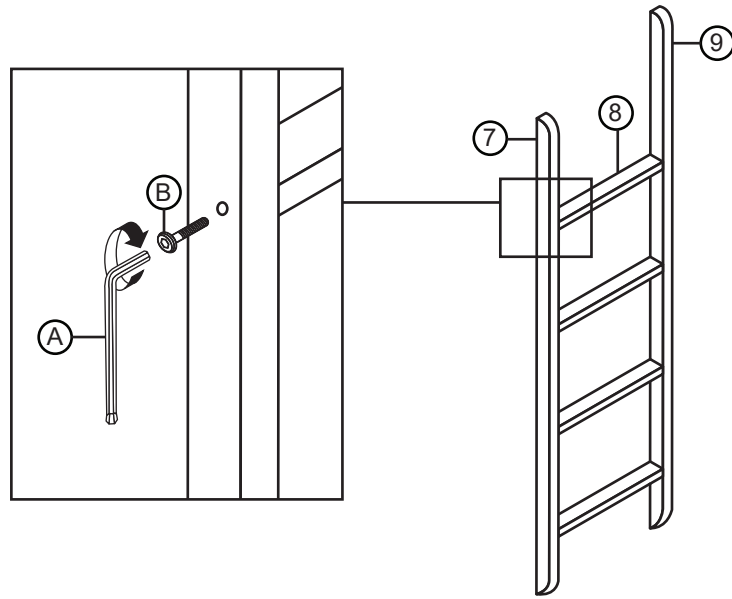


## STEP: 3

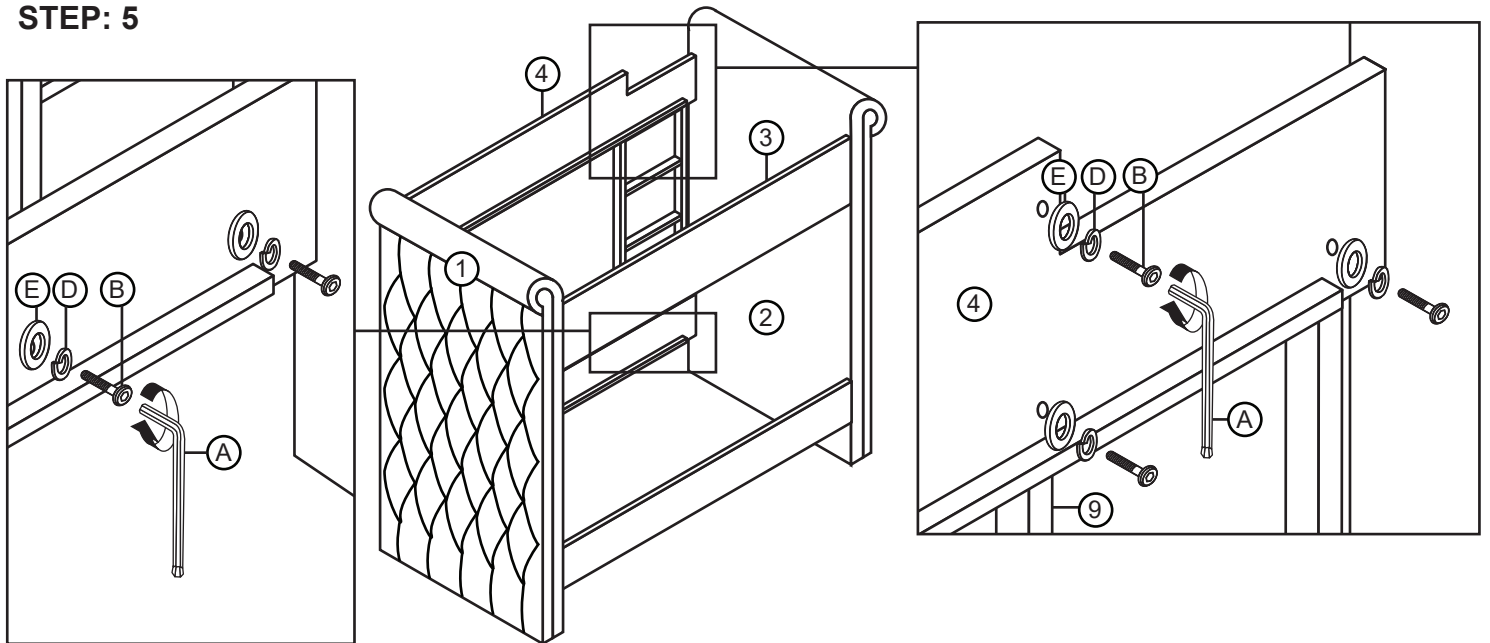


# HOW TO ASSEMBLY :

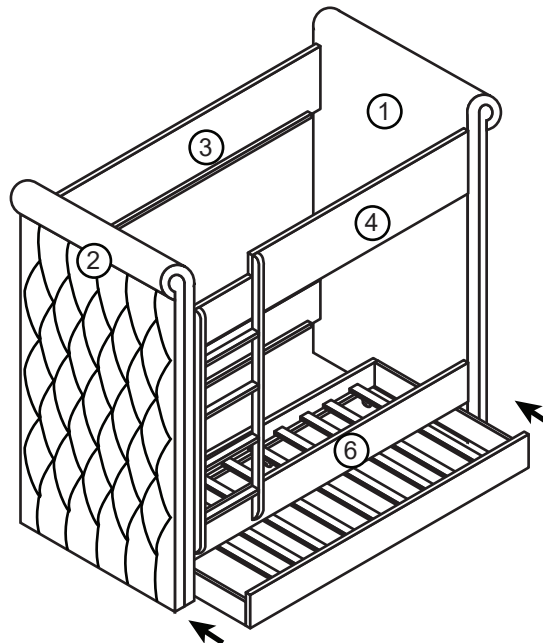
## STEP: 4



## STEP: 5

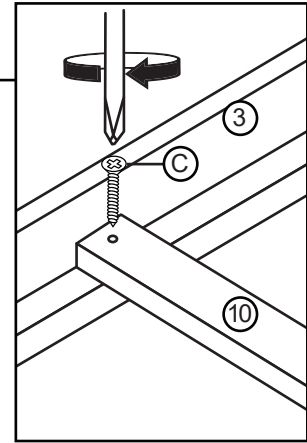
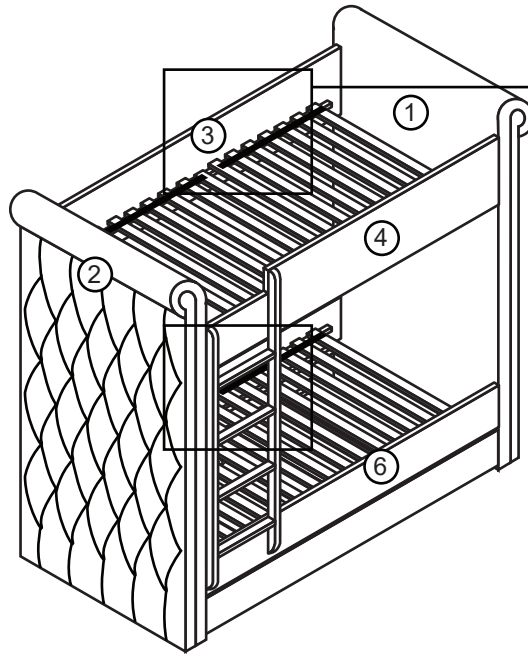
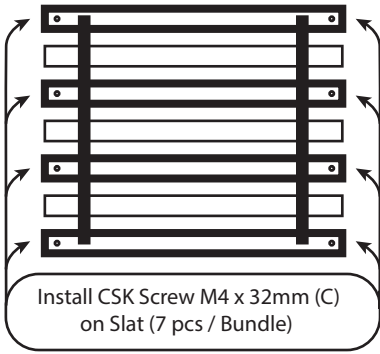


## STEP: 6

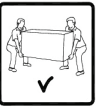


# HOW TO ASSEMBLY :

## STEP: 7



**ASSEMBLY COMPLETE**



# ASSEMBLY INSTRUCTIONS





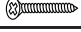


Thank you for purchasing the quality product. Be sure to check all packing material carefully for small parts which may have come loose inside the carton during shipment. Separate, identify and count all parts and metal hardware. Compare with all parts list to be sure all parts are present. If any part (s) are missing or damaged, please contact your local furniture dealer. For efficient and speedy service, please indicate the model number and code letter of part (s) needed.

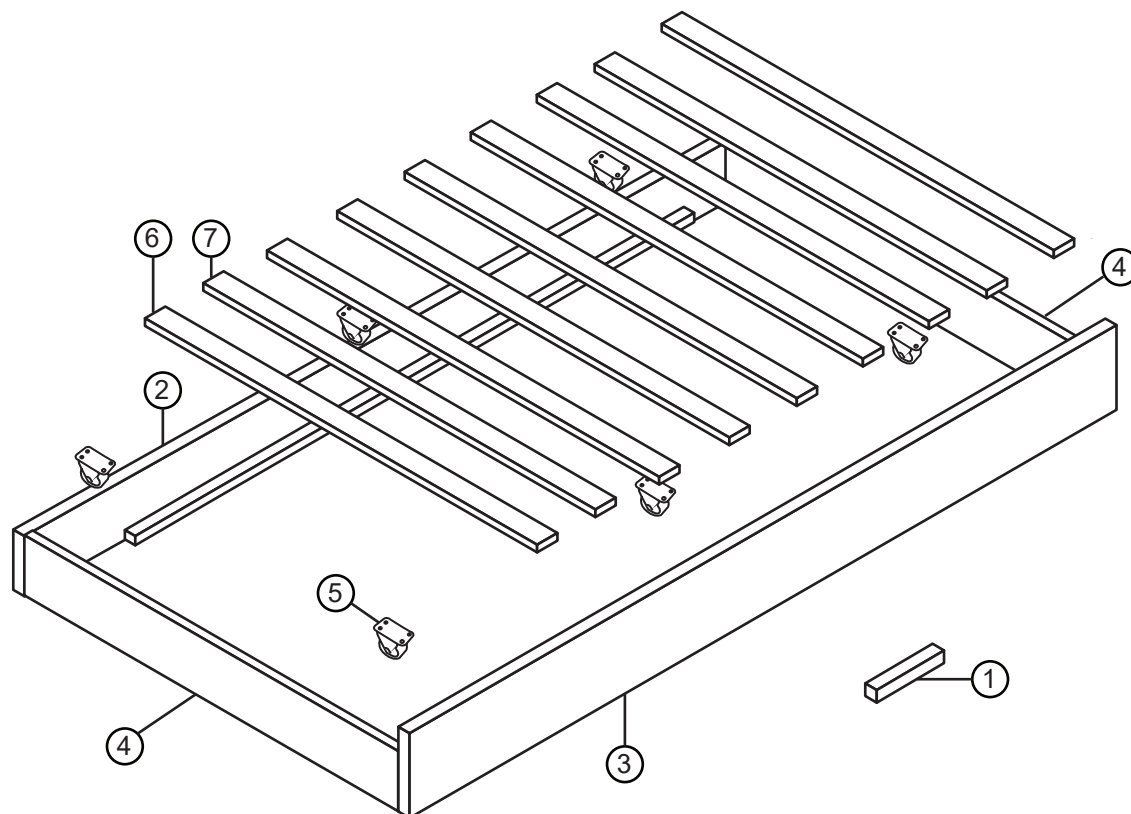
**\*\*\*Do not fully tighten bolts and screws until fully assembled\*\*\***

## PART LIST :

BOX#	PART#	DESCRIPTION	QTY
1	1	Wood Stopper	1
	2	Trundle SR-Left	1
	3	Trundle SR-Right	1
	4	Trundle Panel	1
	5	Caster Wheel	1
	6	Slat with 2 Holes & Marking	1
	7	Slat with 2 Holes	1

## HARDWARE LIST :

NO	DESCRIPTION		QTY
A	Allen Key M4 With Ball		1
B	JCBC Bolt M6 x 20mm		8
C	JCBC Bolt M6 x 40mm		2
D	CSK Screw M4 x 4mm		24
E	CSK Screw M4 x 32mm		12
F	Spring Washer M6 x 13 x 1.0		8
G	Flat Washer Medium M7 x 19 x 2.0		8



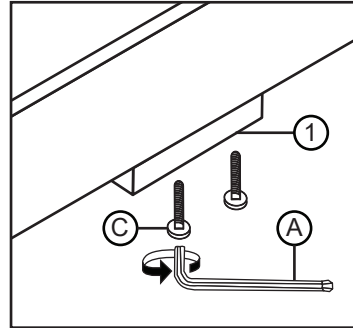
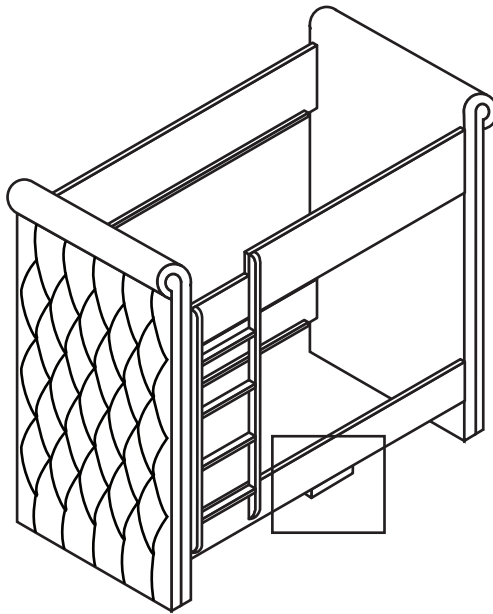
### **Attention:**

\*\*\* Some number parts listed on the instruction sheet may not be in parts bag as they may already be assembled. Carefully check parts and packing materials prior to ordering replacements.

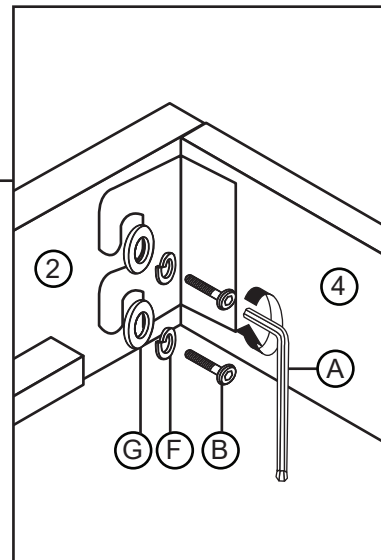
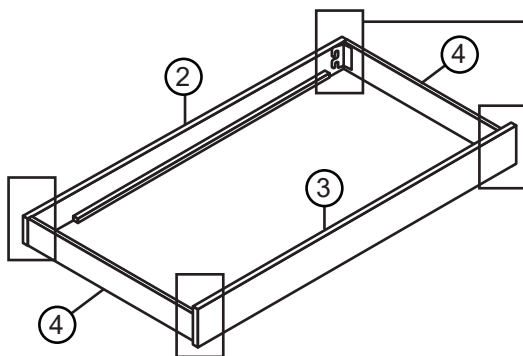
**Revised Date: 22 / 03 / 2019**

# HOW TO ASSEMBLY :

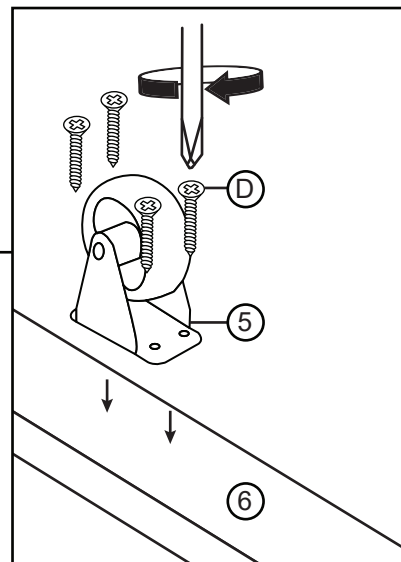
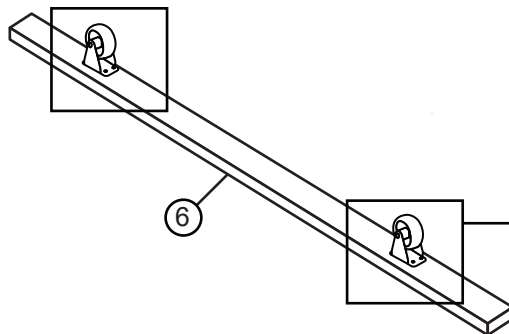
## STEP: 1



## STEP: 2

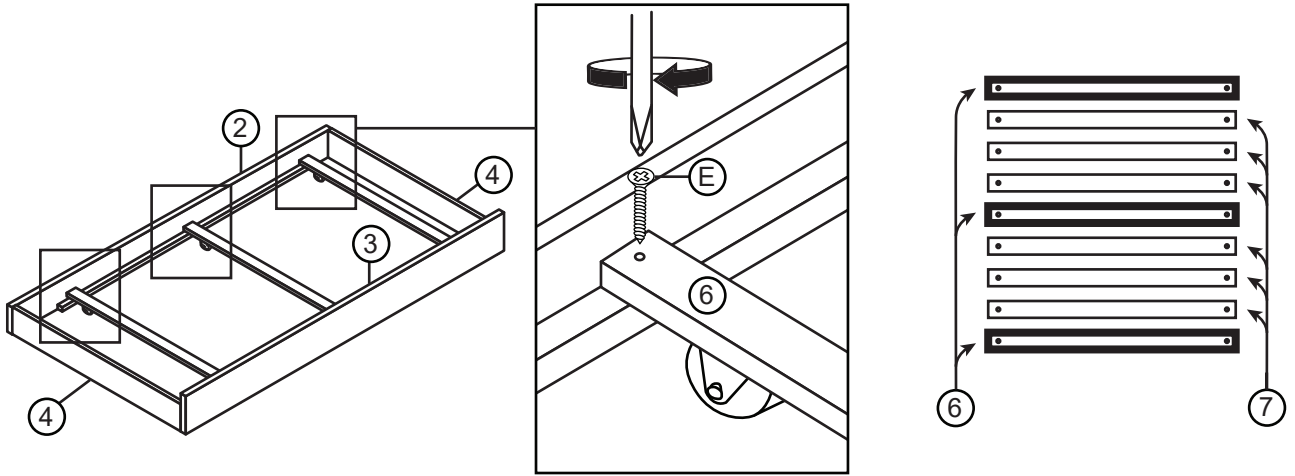


## STEP: 3

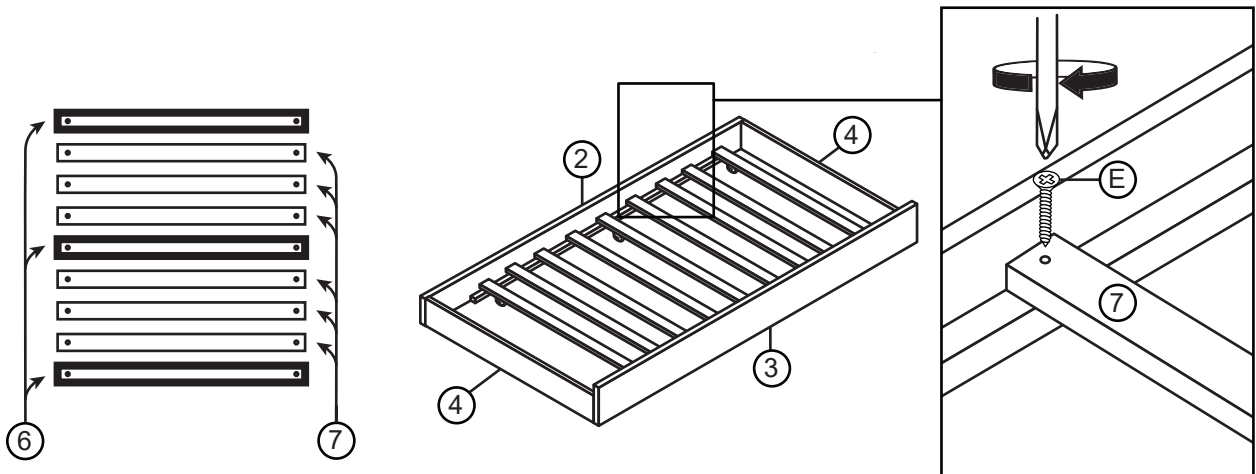


# HOW TO ASSEMBLY :

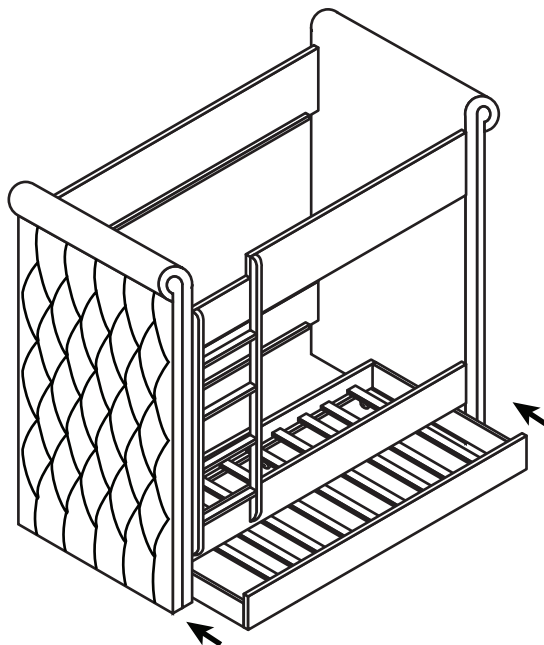
## STEP: 4



## STEP: 5



## STEP: 6



**ASSEMBLY COMPLETE**

