

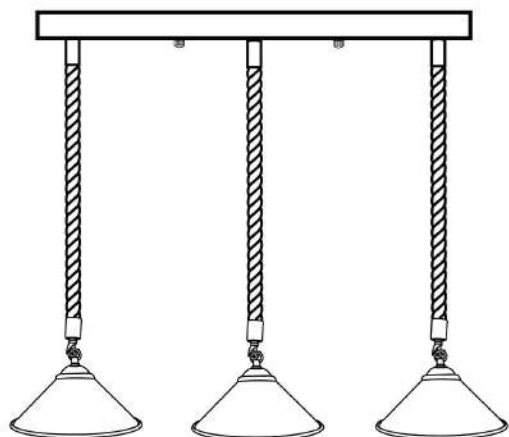


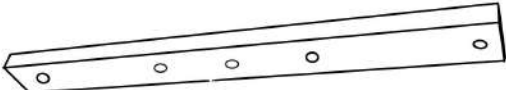
220V-240V~50Hz

RoHS



PENDANT LAMP ASSEMBLING INSTRUCTION



G  x 1Pcs

H  x 3Pcs

I  x 3Pcs

A  x 1Pcs

B  x 2Pcs

C1  x 3Pcs

C2  x 3Pcs

D1  x 2Pcs

D2  x 2Pcs

E  x 2Pcs

F  x 2Pcs



220V-240V~50Hz

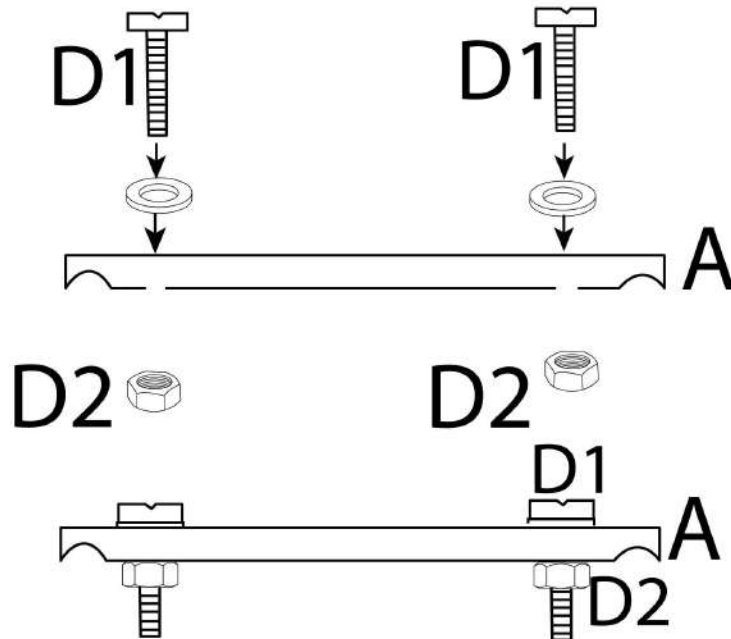
RoHS



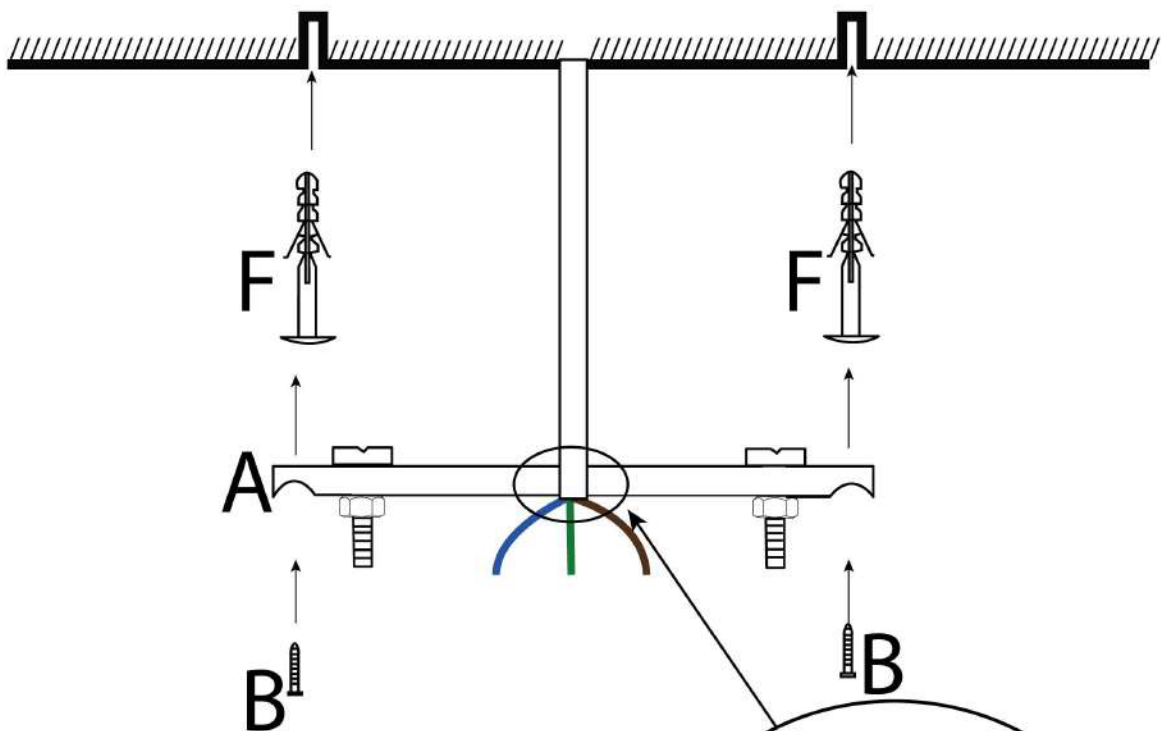
PENDANT LAMP

ASSEMBLING INSTRUCTION

1



2



The cable should come next to the bracket

Ceiling Rose

Main Cable

Bracket



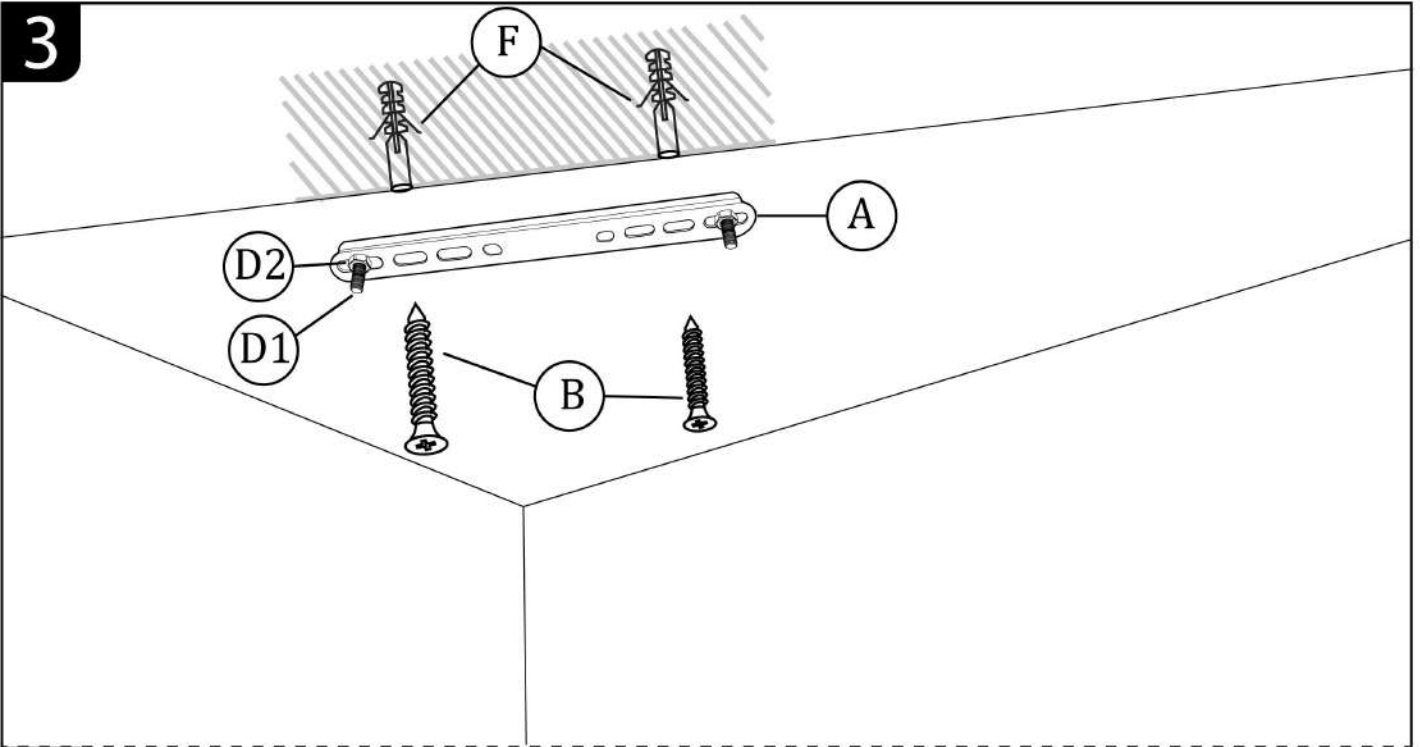
220V-240V~50Hz

RoHS

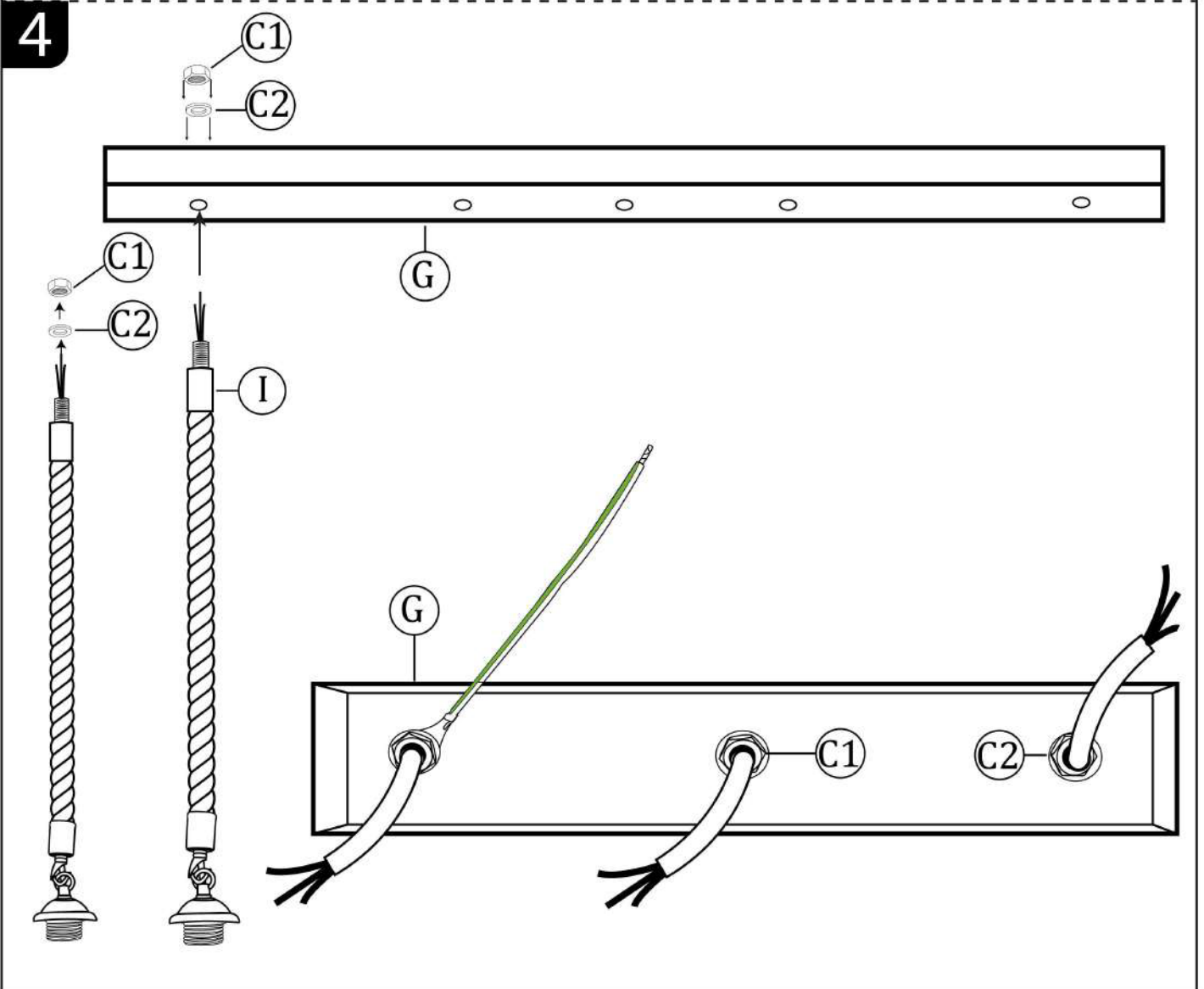


PENDANT LAMP ASSEMBLING INSTRUCTION

3



4





220V-240V~50Hz

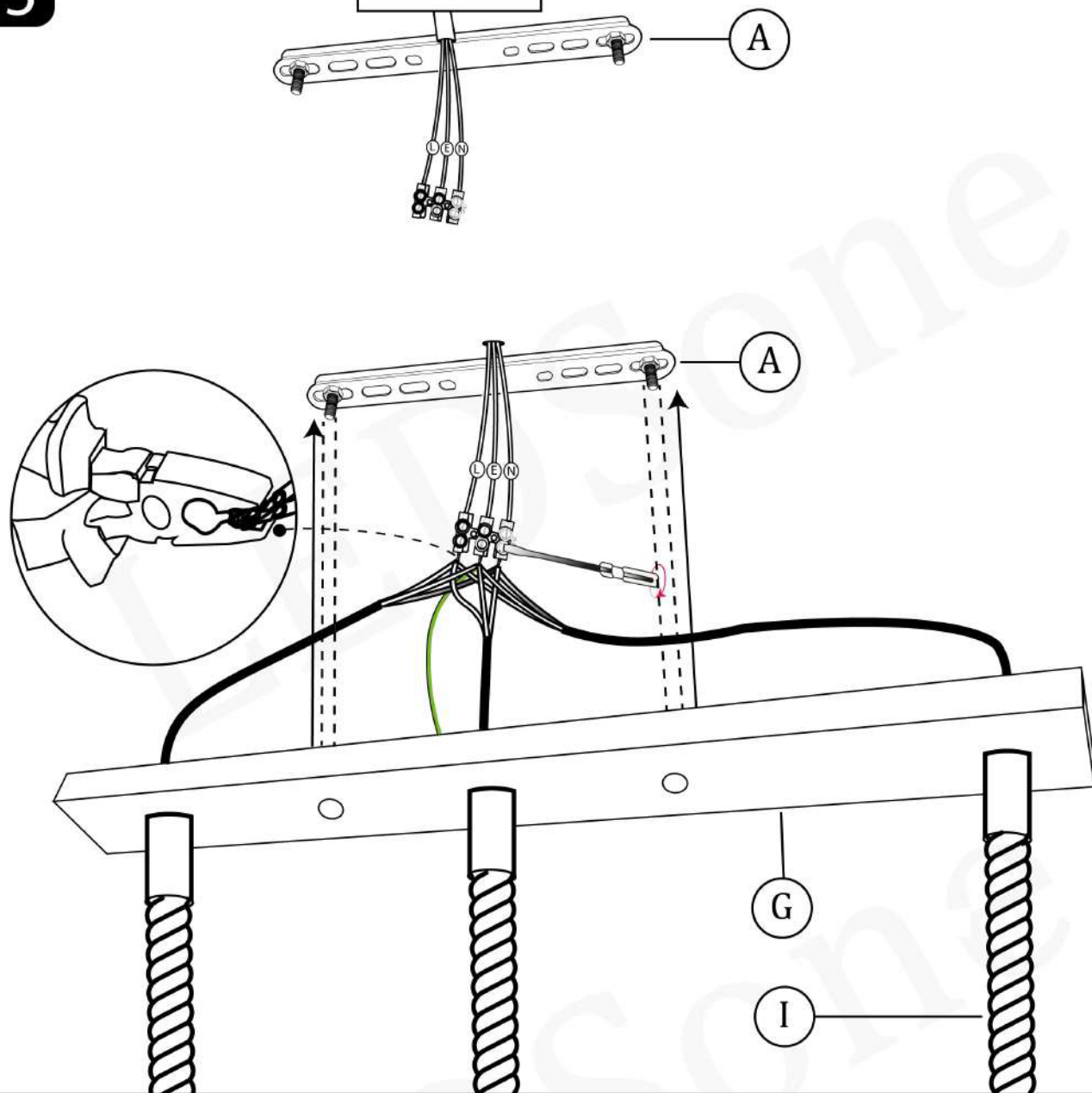
RoHS



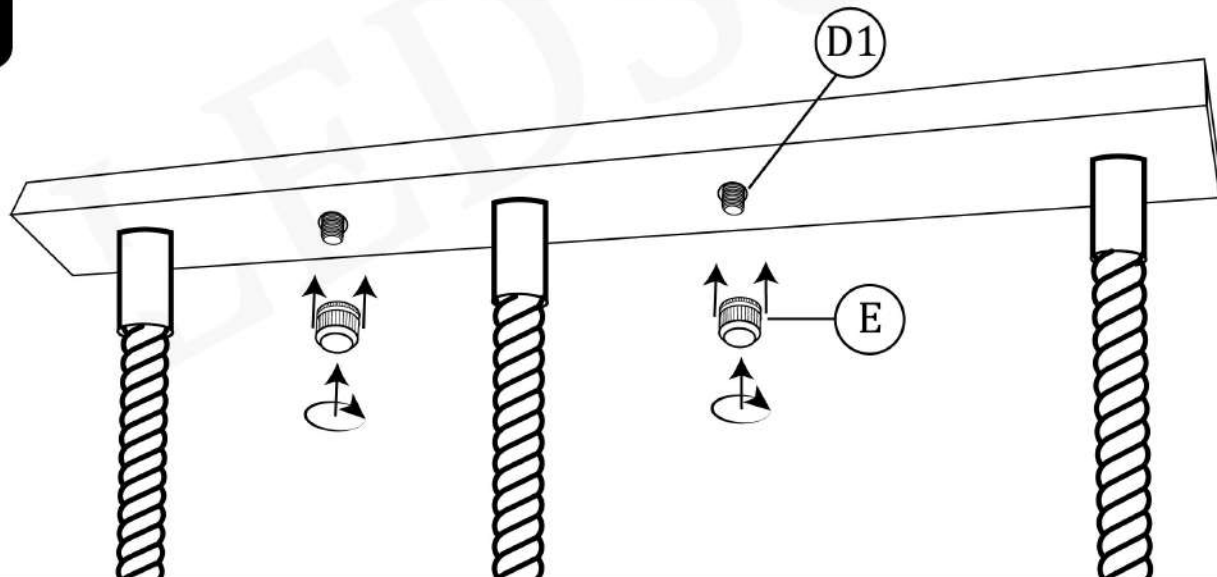
PENDANT LAMP ASSEMBLING INSTRUCTION

5

Main cable



6





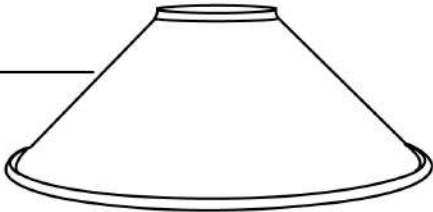
220V-240V~50Hz

RoHS



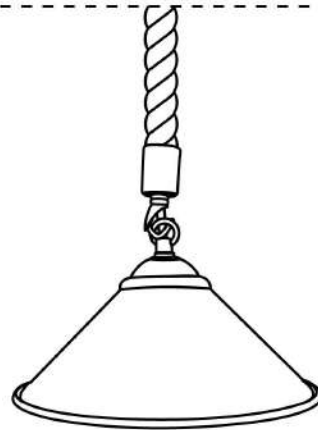
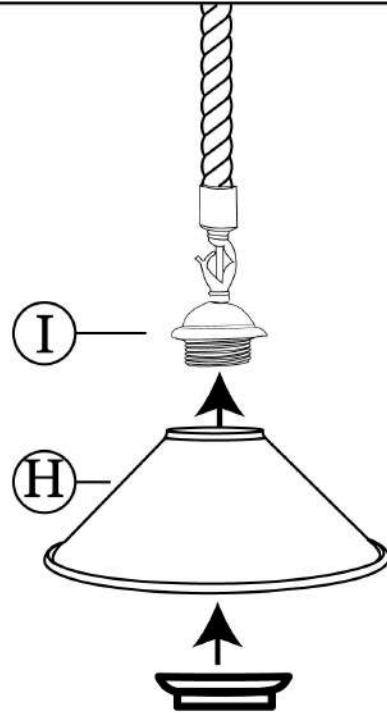
PENDANT LAMP ASSEMBLING INSTRUCTION

H



I

H



Installation finished

