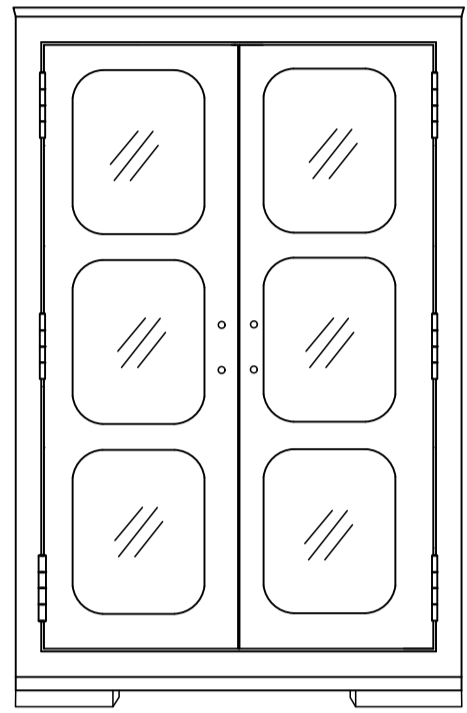
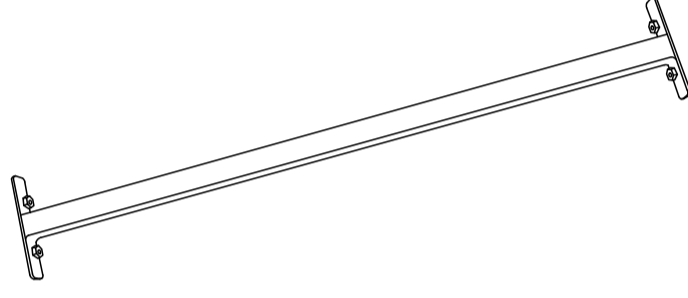
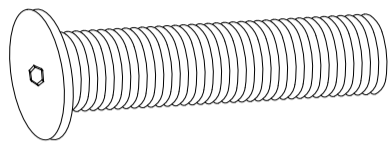
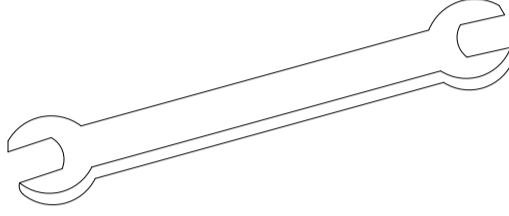
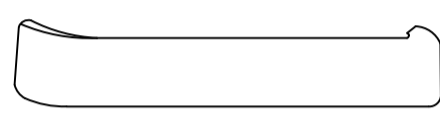
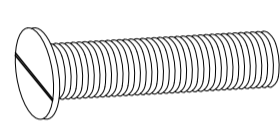
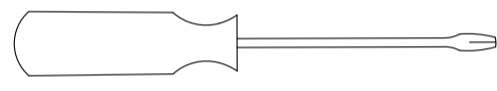


ASSEMBLY INSTRUCTIONS

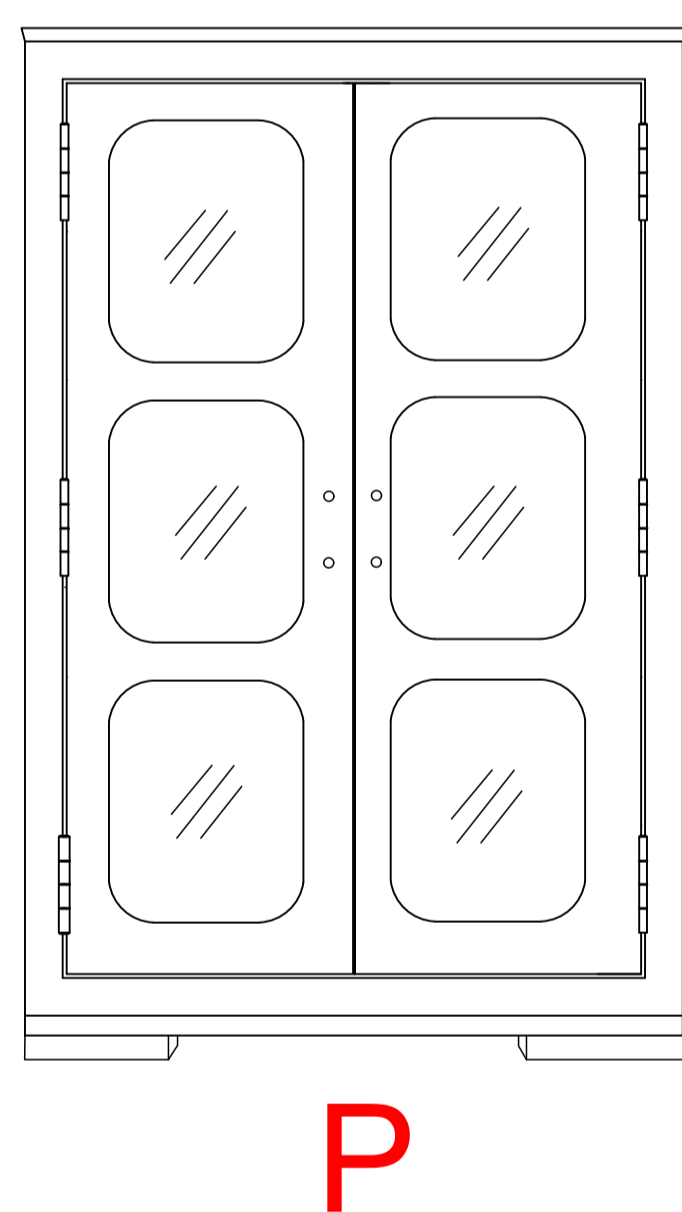
PARTS

S.NO.	DESCRIPTION	QTY.
P	 BASE	1 PC
Q	 LEG SUPPORT	1 PC

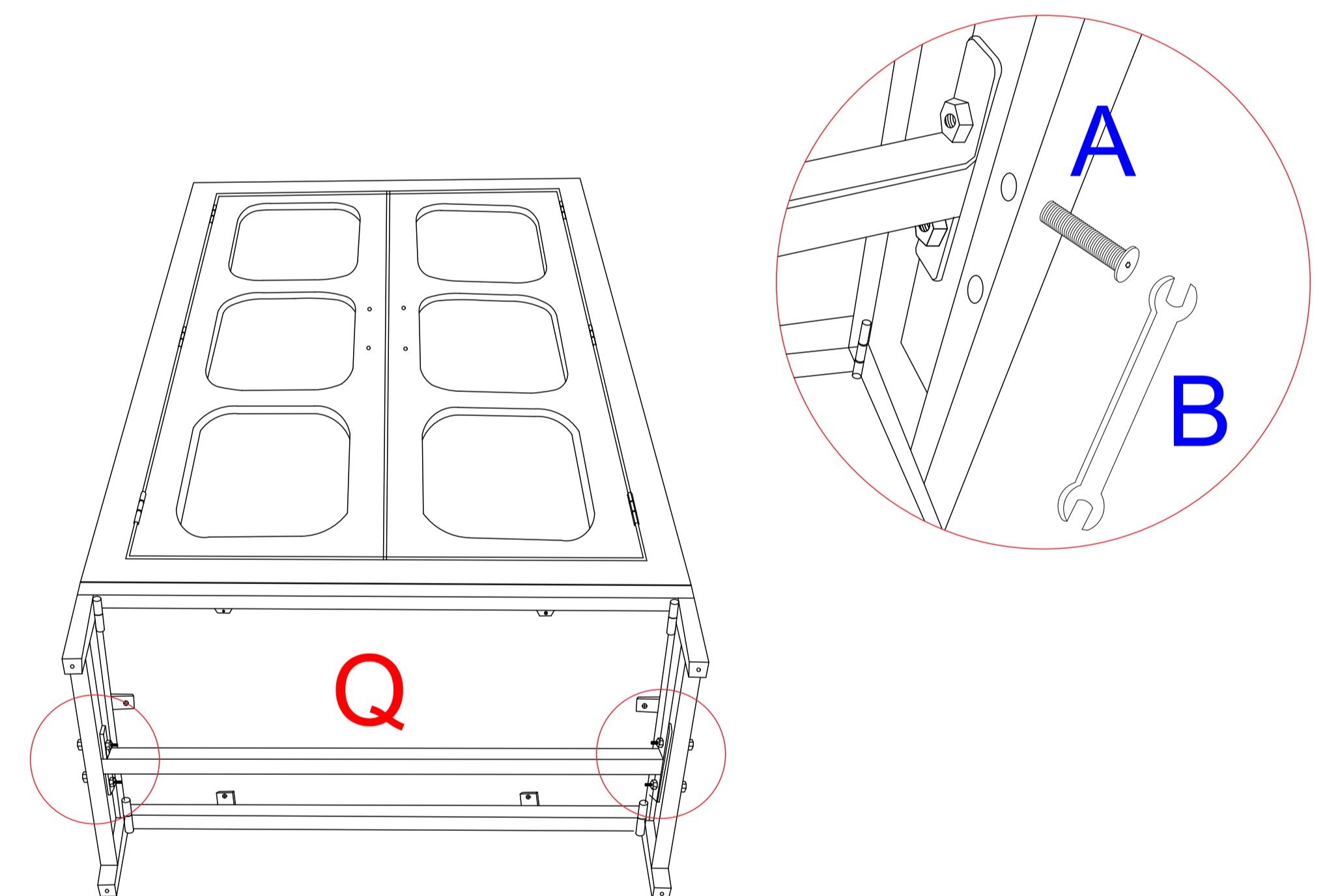
HARDWARE

S.NO.	DESCRIPTION	QTY.
A	 NUT	4 PCS
B	 SPANNER	1 PC
C	 HANDLE	2 PC
D	 NUT	4 PCS
E	 SCREW DRIVER	1 PC

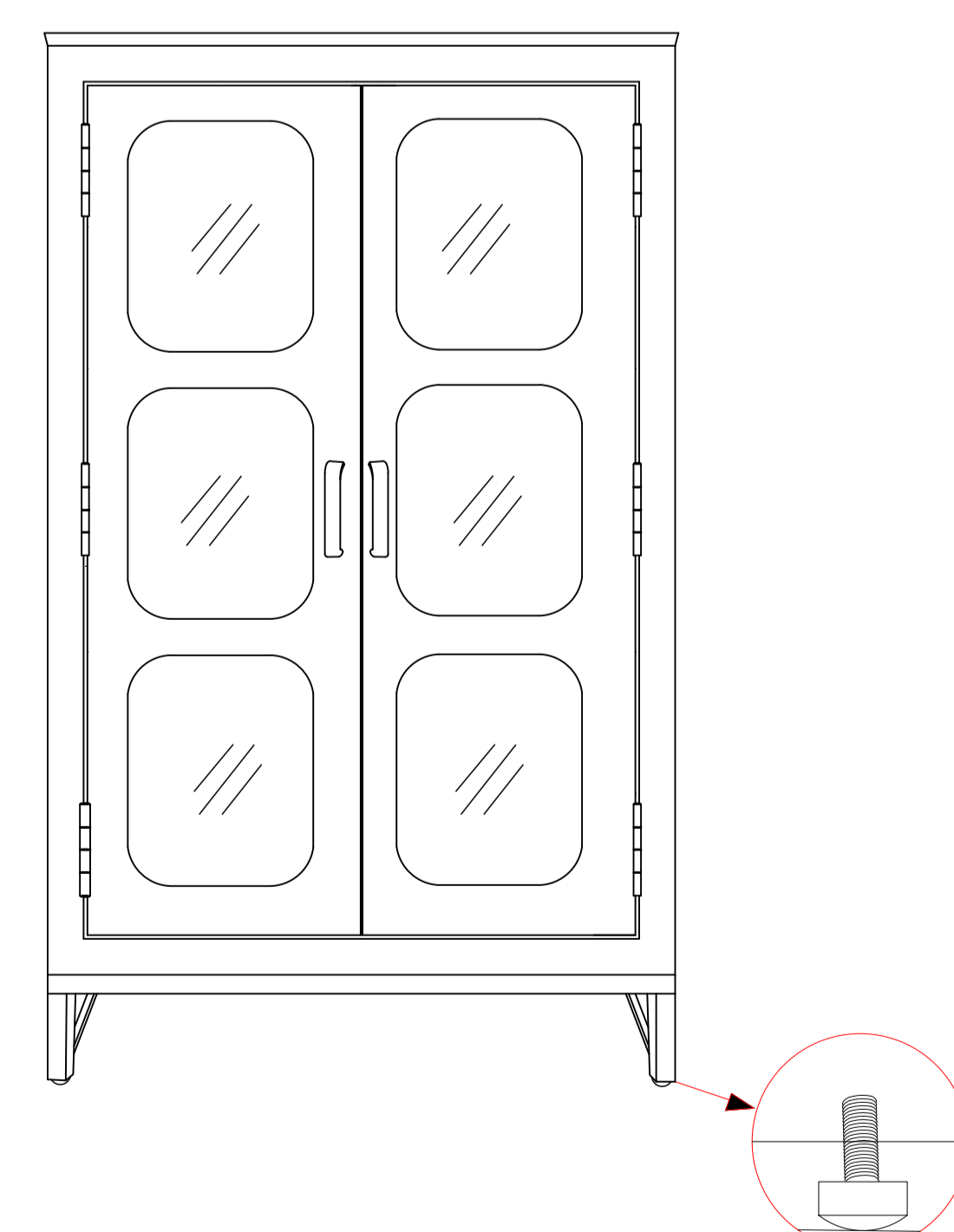
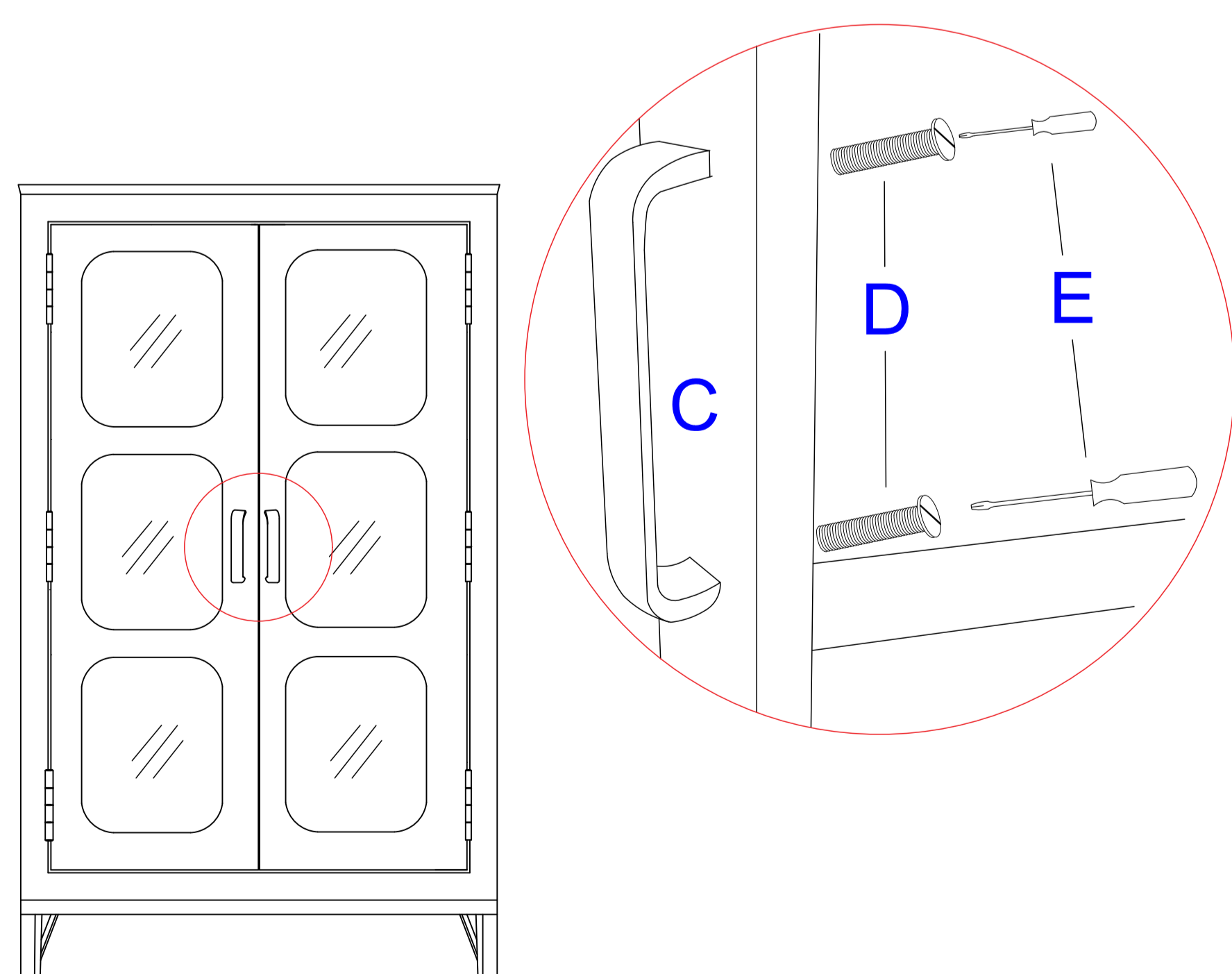
STEP-1



STEP-2



STEP-3



Note: Levellers are provided at bottom to balance the product on uneven surface.