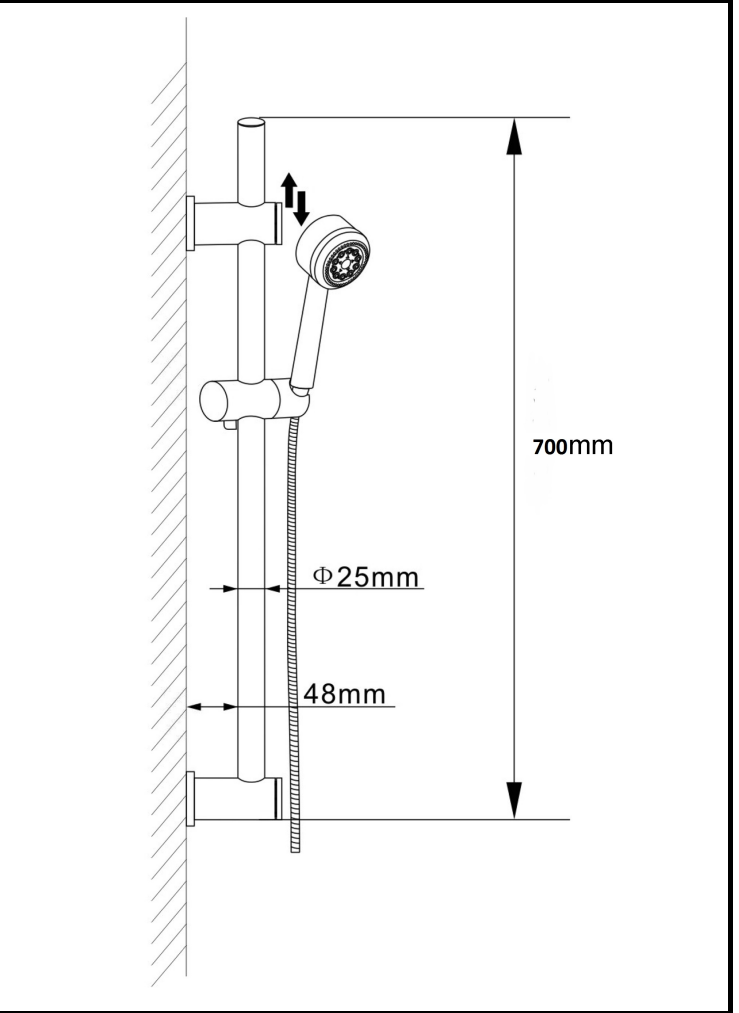


# CUSTOMER DATA SHEET - SHOWERS

**DESCRIPTION:** Slider Rail Kit W/ Brackets W/Handset



PRODUCT DIMENSIONS				
Length(mm)	Width (mm)	Height (mm)	Depth (mm)	Nett Wgt Kg
	11	755	75	1.35

PACKAGING DIMENSIONS			
Length (mm)	Width (mm)	Depth (mm)	Gross Wgt Kg
725	154	95	1.35

PACKAGING DATA			
Box Colour	White Cardboard Box		
Box Qty	1	Label Colour	White Label
Label Size	100 x 50	Label Qty	2

OUTER BOX DIMENSIONS (If Applicable)				
Length (mm)	Width (mm)	Height (mm)	Depth (mm)	Gross Wgt Kg
	330	500	750	14

PRODUCT DETAILS	
Country of Origin	China
Fitting Instruction	No
Product Material	Brass/ABS
Mount Type	Wall, Surface
Outlet Elbow Supplied	Yes
Easy Clean	Yes
Head Included	No
Handset Included	Yes
Body Jets Included	No
No of Body Jets	Not Applicable
Operating Pressure (bar)	0.5
Valve/Cartridge Type	Not Applicable

Flow Rates (L/min)	0.1 bar	N/A	0.5 bar	N/A	1 bar	N/A	2 bar	N/A	3 bar	N/A
TMV2 Approved	No		Approval No.		N/A					
TMV3 Approved	No		Approval No.		N/A					
WRAS Approved	No		Approval No.		N/A					
Head Function	Not Applicable									
Handset Function	Multiple Settings									
Body Jet Info	Not Applicable									
Pipe Size	15 mm (1/2" Bsp)									
Pipe Centres	N/A									
Colour/Finish	Chrome									
Hose Included	Yes									