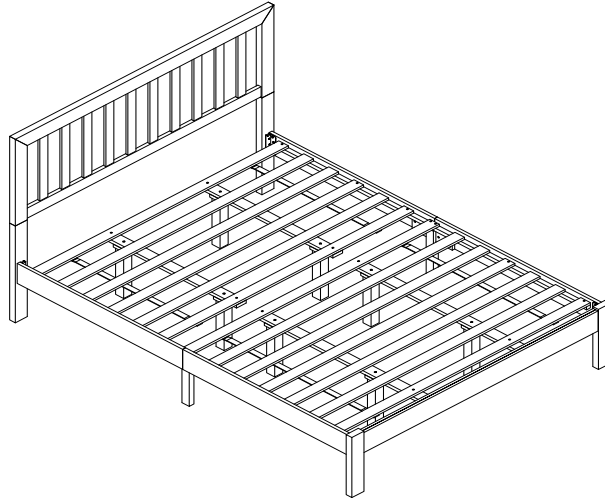


Assembly Instructions

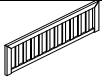





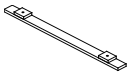
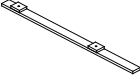
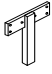
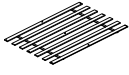
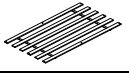

Caution : You should read this Assembly Instructions before you proceed

Please look in the First Support Leg for Hardware packs

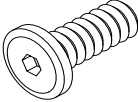
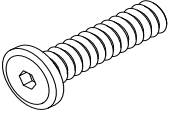
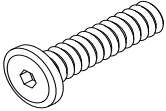

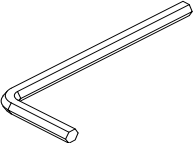
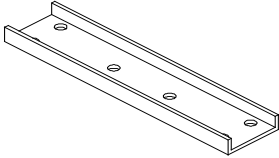

Bed



Parts List

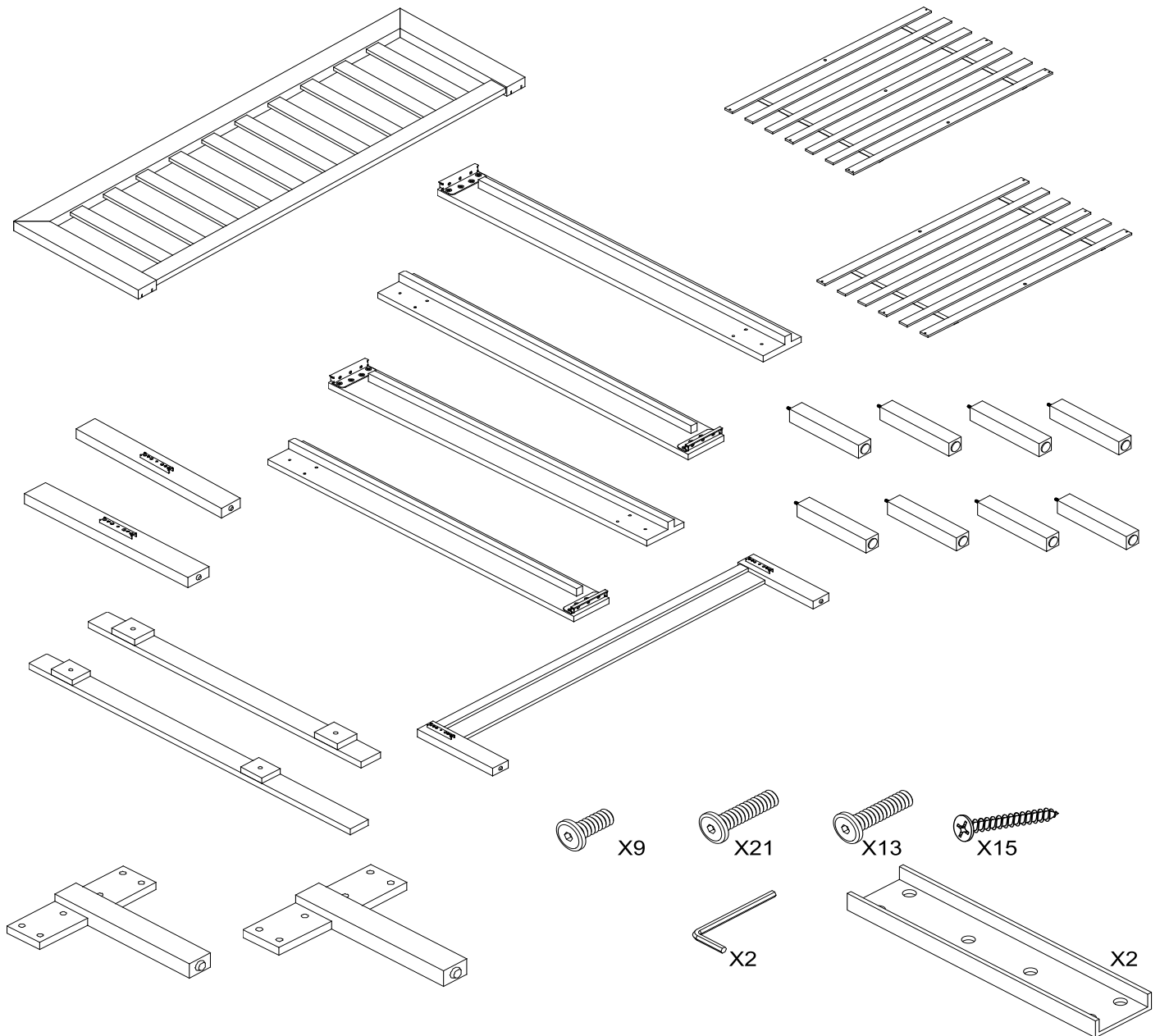
Label	Picture	Description	QTY
A		Headboard	1
B		Right Leg	1
C		Left Leg	1
D		Footboard	1
E		First Side Rail	2
F		Second Side Rail	2
G		First Support Bar	2
H		Second Support Bar	2
I		First Support Leg	2
J		First Slat Frame	1
K		Second Slat Frame	1
L		Second Support Leg	8

Hardware

Label	Picture	Description	QTY
①		Bolt (M6 x 10 mm)	9
②		Bolt (M8 x 25 mm)	13
③		Bolt (M6 x 25 mm)	21
④		Screw (M4 x25 mm)	15
⑤		Allen Wrench (K4)	2
⑥		Connection Metal	2
⑦		Screwdriver (not provided)	1

Assembly Preparation

Before Beginning Assembly:



• Read instructions, cover to cover.



• Have 2 adults in the assembly.



• Do not assemble on flooring or carpet.



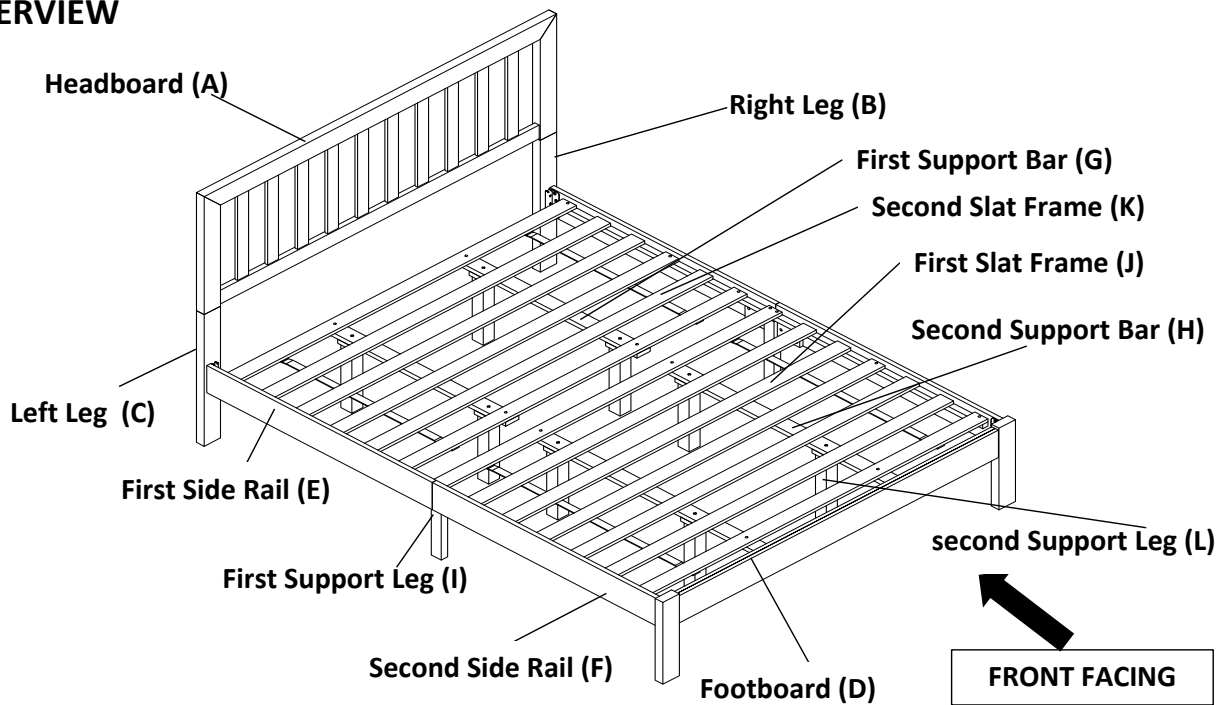
• Assemble on a clean non - marring surface.



• Save all packaging until completion of assembly

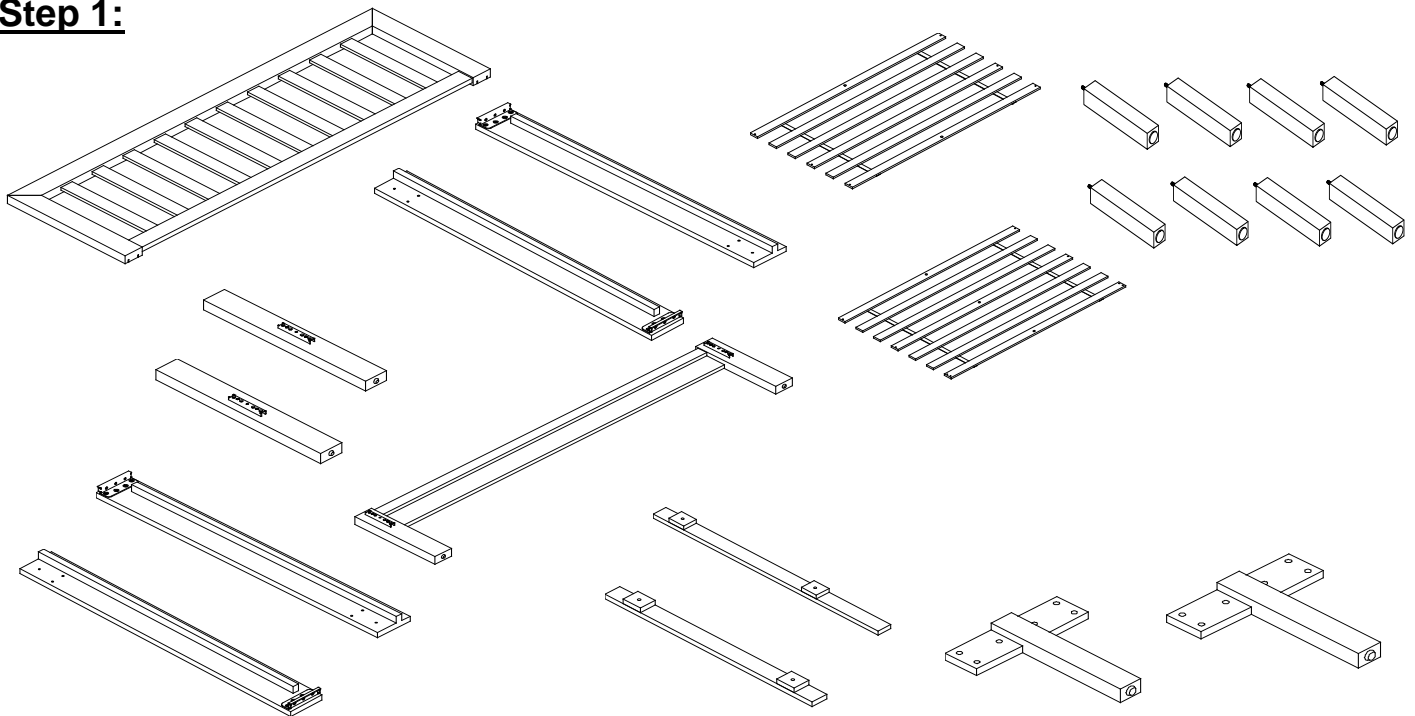
Assembly Steps

OVERVIEW



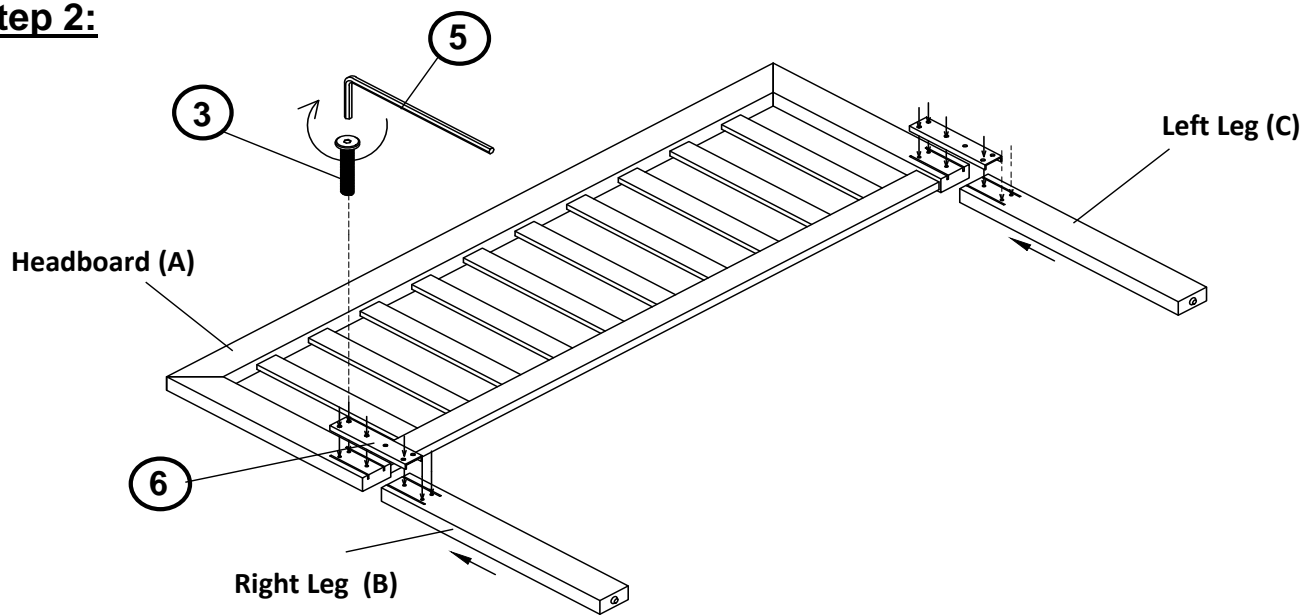
This Bed has multiple parts and may require up to some 30 minutes to assemble. To give you an overview of the Bed parts, the above picture is provided to help you put the various parts into perspective. Please read through the instructions below to familiarise yourself with the parts and steps before assembly.

Step 1:



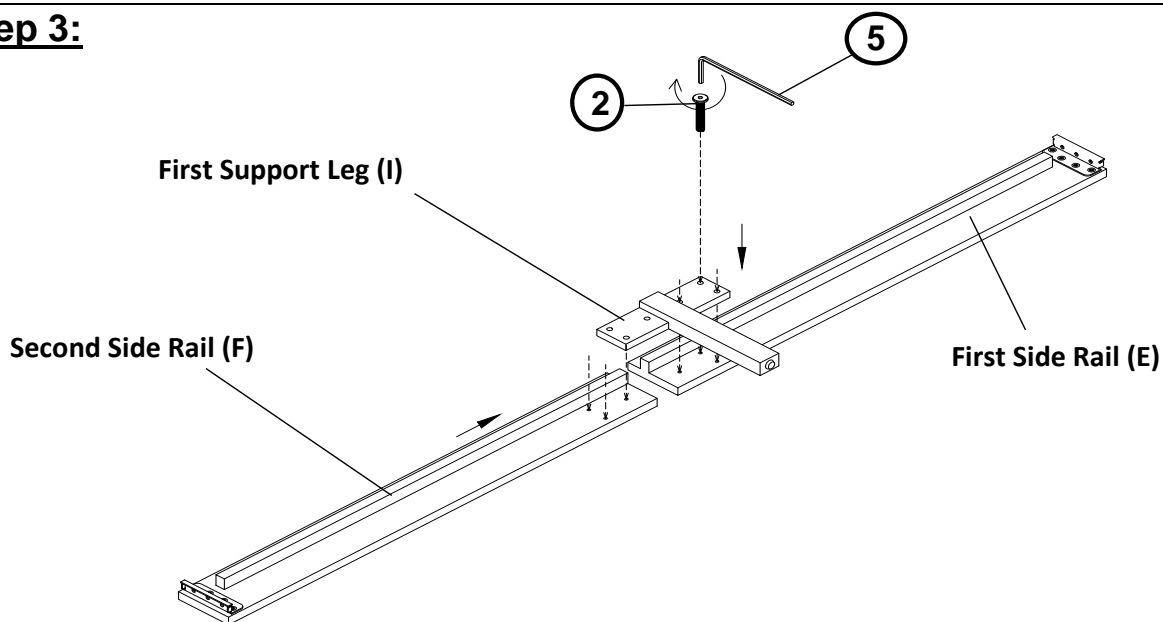
Unpack and place all parts on a clean, non-marring surface.

Step 2:



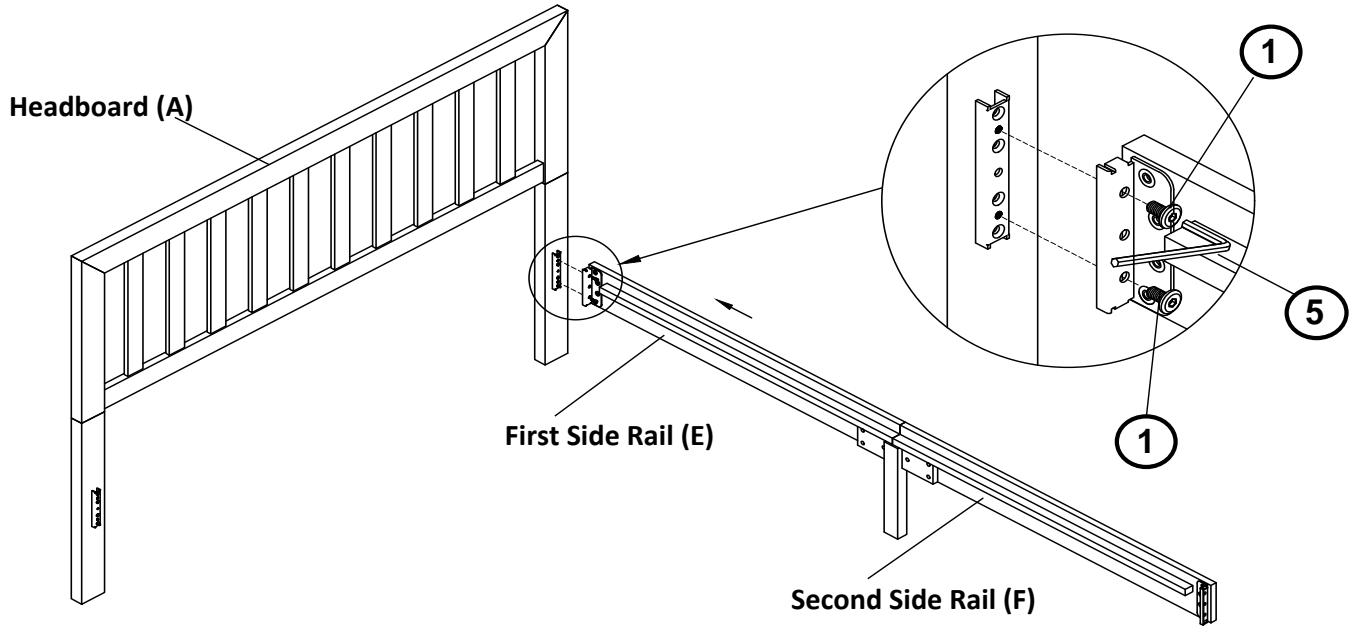
With assistance from your adult partner, carefully place the Headboard(A) facedown on a clean, non-marring surface as shown above. Attach the Right Leg (B) and the Left Leg (C) to the Headboard (A), then place the Connection Metal (6) onto it as shown above. Secure it using Bolts (3) and the Allen Wrench (5). **Fully tighten the Bolts at this stage.**

Step 3:



Connect the First Support Leg (I) to the First Side Rail (E) and the Second Side Rail (F), then secure it using Bolts (2) and the Allen Wrench (5) as shown above. Repeat the same process with the remaining First Side Rail (E) and the Second Side Rail (F). **Fully tighten the Bolts at this stage.**

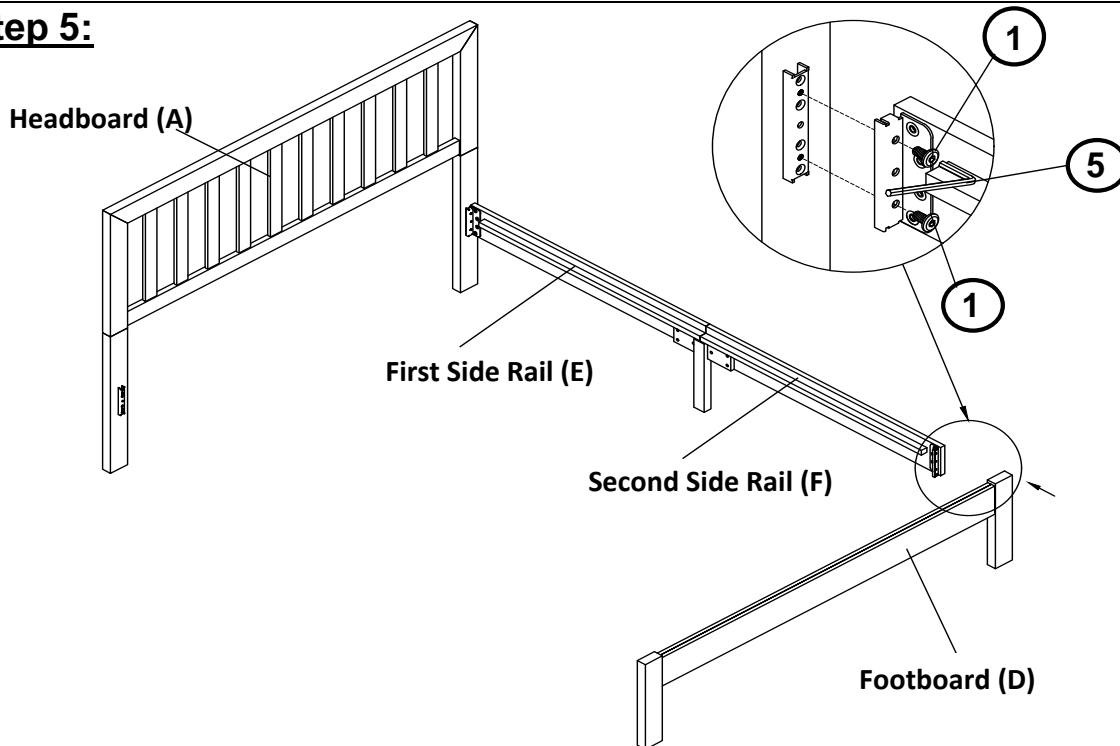
Step 4:



With the help of your adult partner, attach the frame from step 3 to the frame from step 2, then secure it using Bolts (1) and the Allen Wrench (5) as shown above.

DO NOT fully tighten the Bolts at this stage.

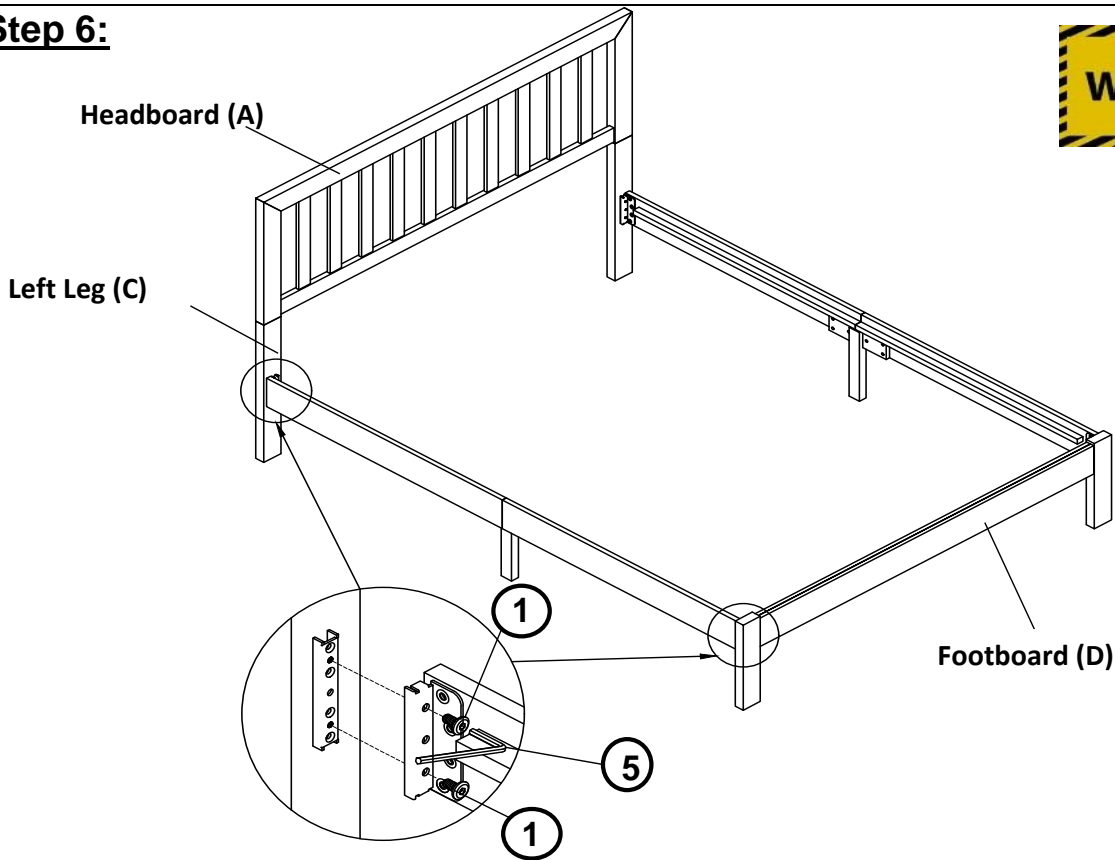
Step 5:



With the help of your adult partner, attach the Footboard (D) to the frame from step 4, then secure it using Bolts (1) and the Allen Wrench (5) as shown above.

DO NOT fully tighten the Bolts at this stage.

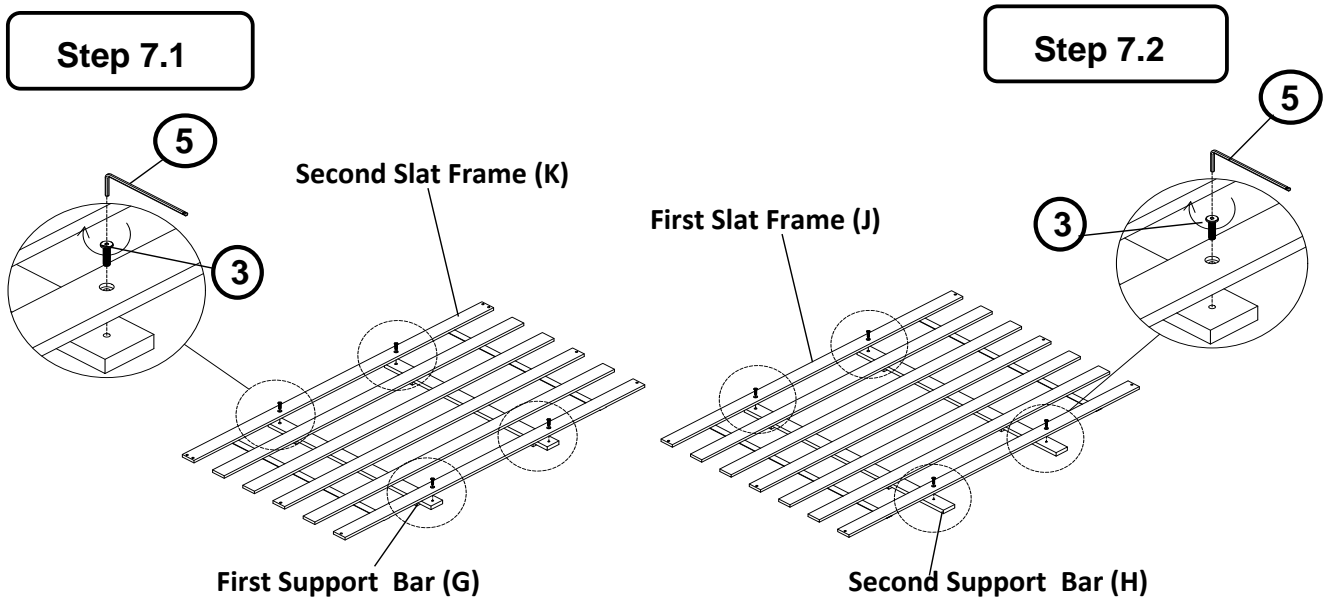
Step 6:



With the help of your adult partner, align the Left Leg (C) and the Footboard (D) to the frame from step 3. Secure it using Bolts (1) and the Allen Wrench (5) as shown above.

WARNING: Tighten all the Bolts before you proceed to next step.

Step 7:



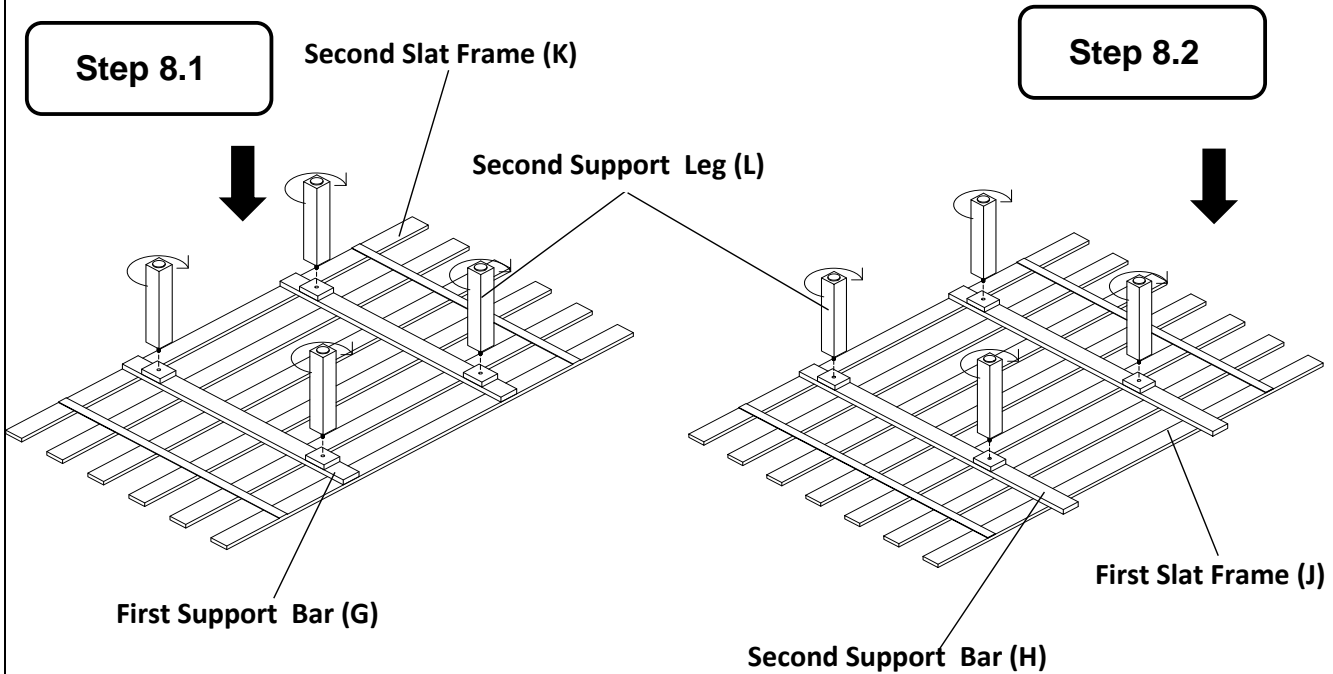
With the help of your adult partner

Step 7.1: Attach Second Slat Frame (K) into First Support Bar (G) by using Bolts (3) and Allen Wrench (5) as shown above.

Step 7.2: Attach First Slat Frame (J) into Second Support Bar (H) by using Bolts (3) and Allen Wrench (5) as shown above.

Fully tighten the Bolts at this stage.

Step 8:



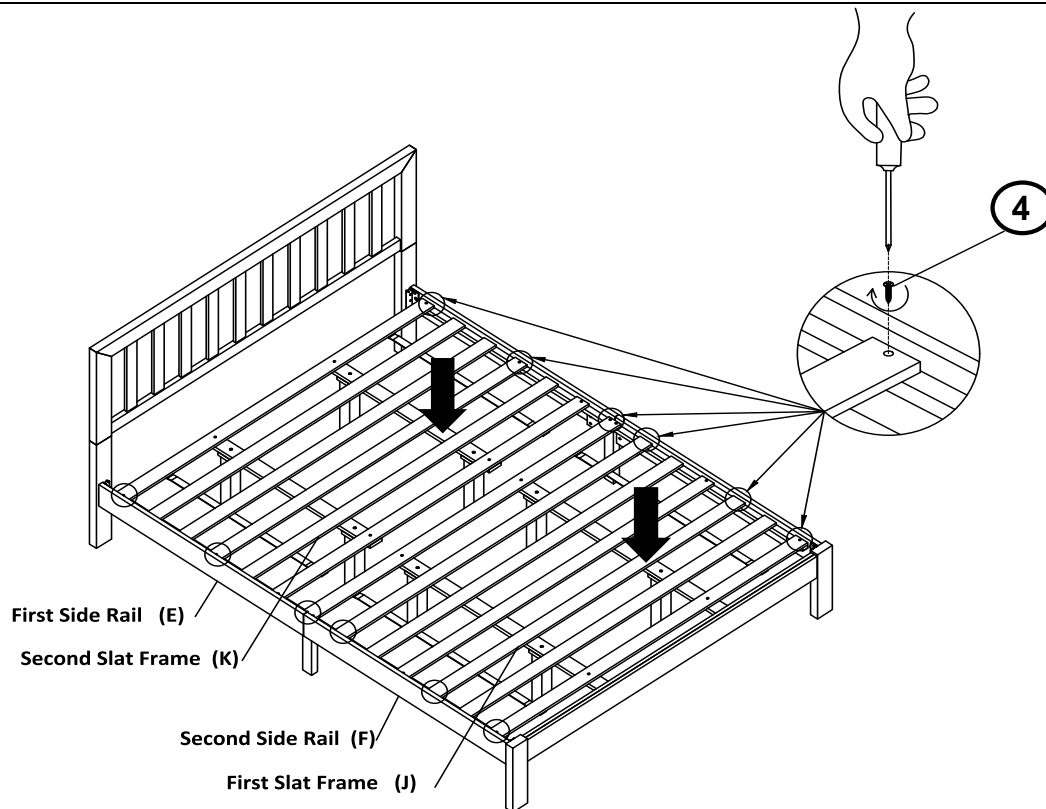
With the help of your adult partner

Step 8.1: Insert the Second Support Leg (L) into the assembled part in step 7.1 as shown above

Step 8.2: Insert the Second Support Leg (L) into the assembled part in step 7.2 as shown above

Fully tighten the Bolts at this stage.

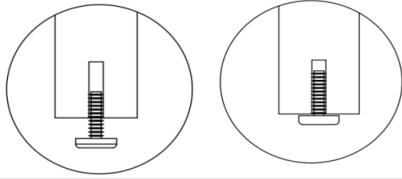
Step 9:



With the help of your adult partner, secure the frames from step 8 into frame from step 6, using Screws (4) and a Screwdriver (not provided) as shown above.

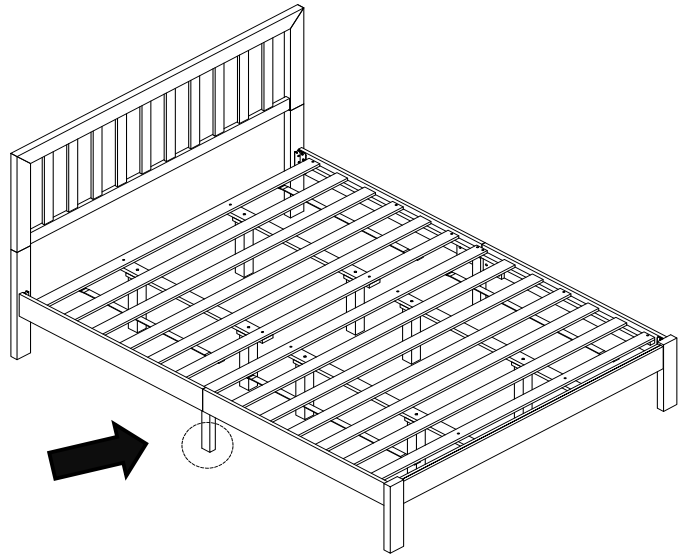
Fully tighten the Screws.

Step 10:



Adjust high for balance Adjust low for balance

Adjust Pre-installed Levelers height
for balance



Check for wobbles.

If the bed does not wobble, in a sequential manner, gradually tighten all Bolts and Screws until evenly secured.

Inspect the Bed and make sure all parts are adequately connected.

With assistance from your adult partner, adjust the levelers to the desired height to avoid wobbles.

To adjust the Levelers, get assistance from an adult partner to lift/lean and hold the Bed while you are working.

Your Bed is ready for use.

This Bed can only be used on a flat, level surface.

Care & Maintenance



- Do not put hot items directly on furniture surface.



- Do not clean furniture with harsh cleansers or polish.



- Do not place furniture under direct sunlight.



- Do not place furniture near heating or cooling vents.



- Do not write on furniture without a padded barrier to protect the surface.



- Do not place furniture outside . For indoor use only.



- Not for commercial use. For residential use only.



- Stains may be removed with mild soap solution and damp cloth.



- Children should not climb or jump on the furniture.



- Dust and pick-up spills using a clean, non-colored, lint-free cloth.