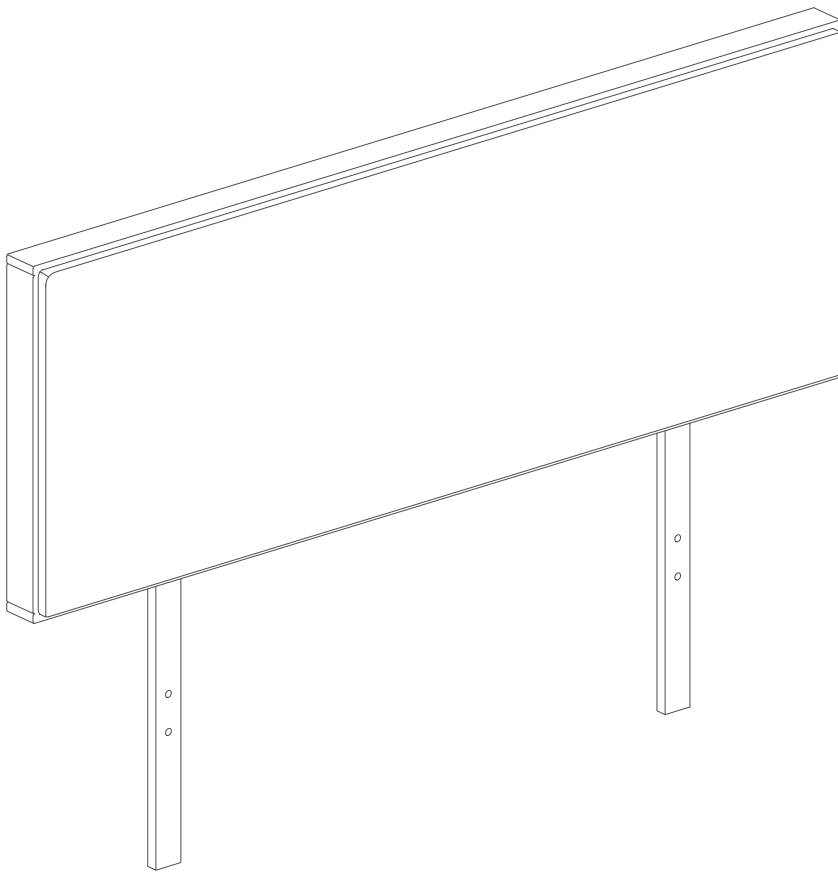


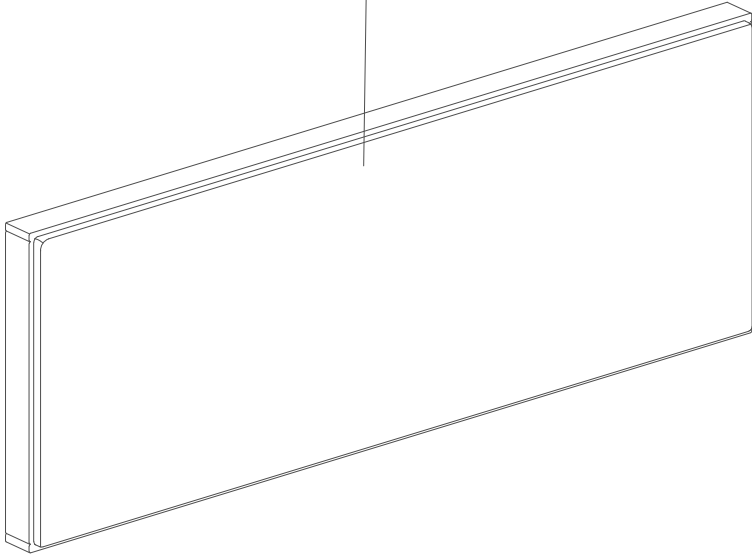
ASSEMBLY INSTRUCTION

701LQQHD0509-F/Q-BG



ASSEMBLY INSTRUCTION

A

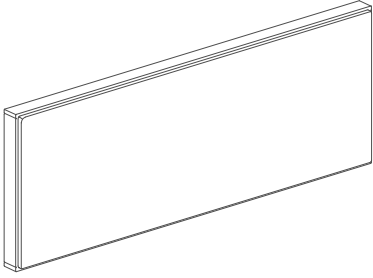



A4

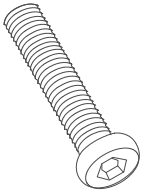

A4



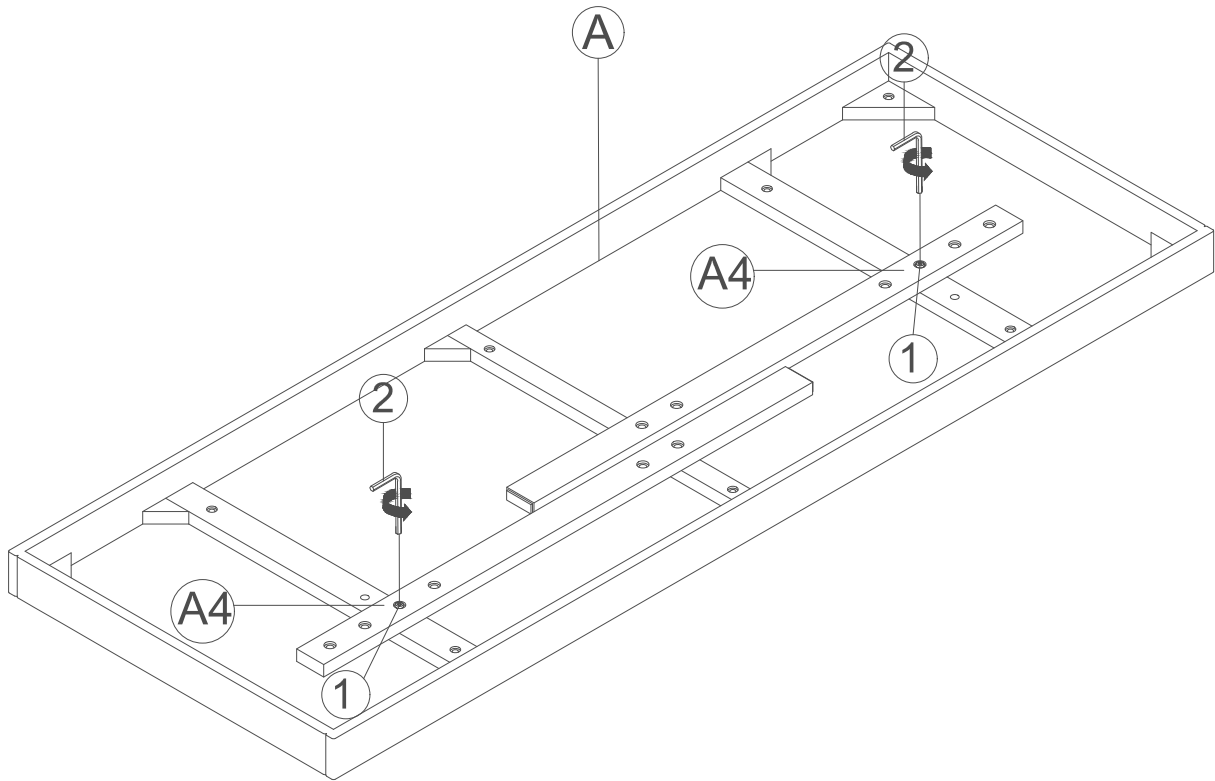
Part List & Hardware List

<p>A</p>  <p>Headboard-1pc</p>	<p>A1</p>  <p>Wood leg-2pcs</p>	
---	--	--

Hardware List

<p>1</p>  <p>Bolts M8x35 mm-8pcs Boulon</p>	<p>2</p>  <p>Allen key M5x70x35mm-1pc Clé allen</p>	
--	---	--

STEP 1: Please remove 2pcs part A4

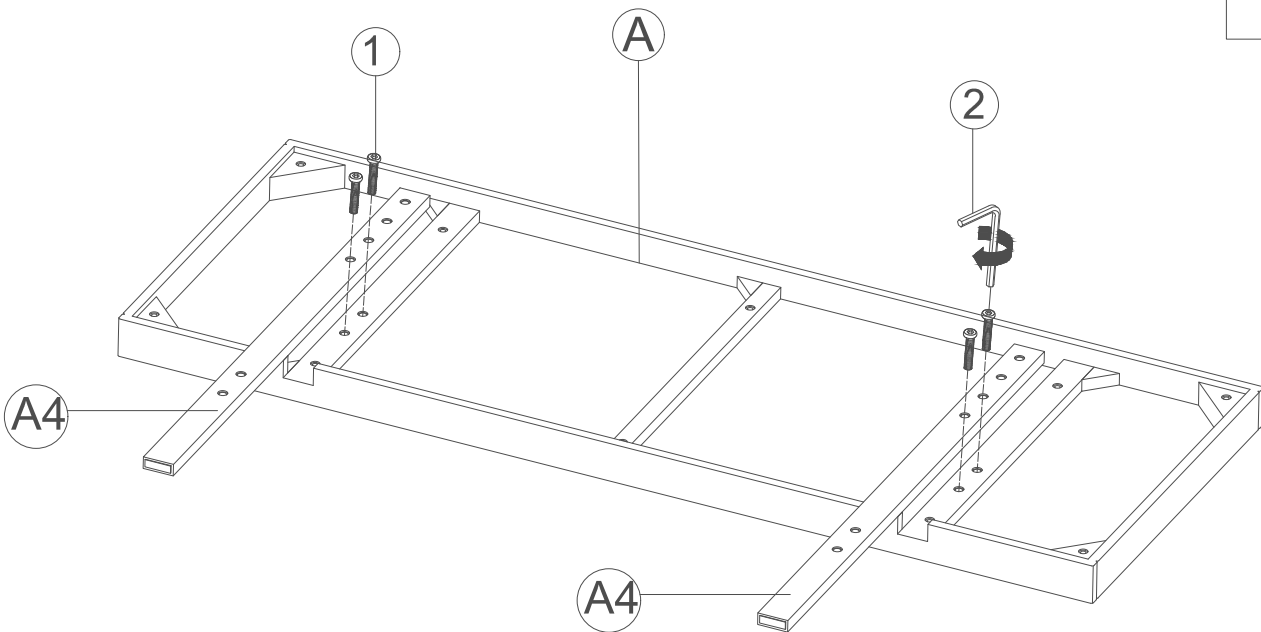


STEP 2: The headboard can be adjusted up and down by fixing the position with bolts NO.1 bolts

1



4pcs

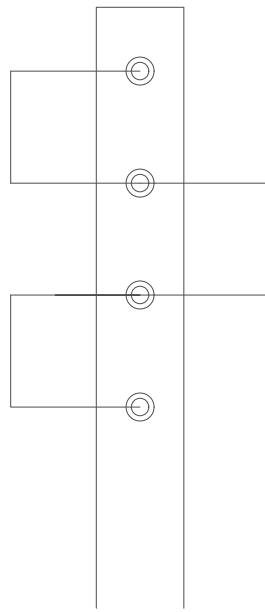


STEP 3:

Fits a 12" mattress

Fits a 8" mattress

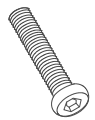
Fits a 10" mattress



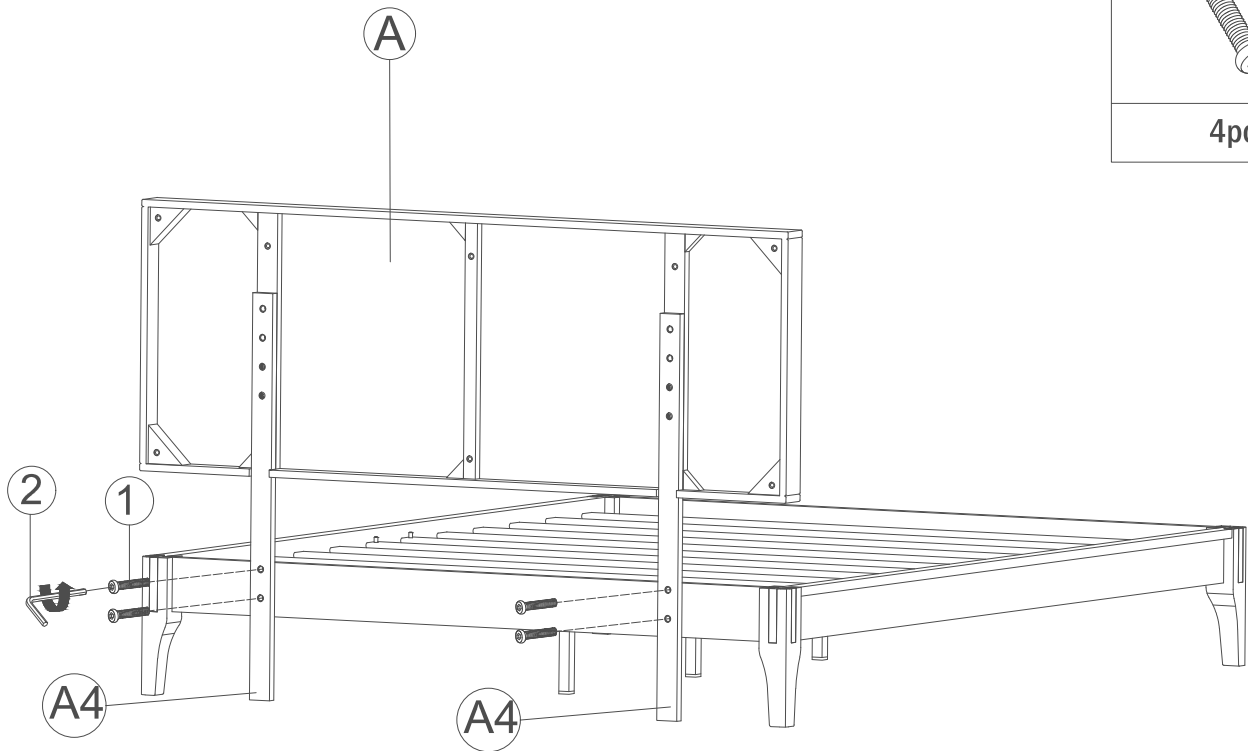
A4

STEP 4:

1



4pcs



STEP 5:

