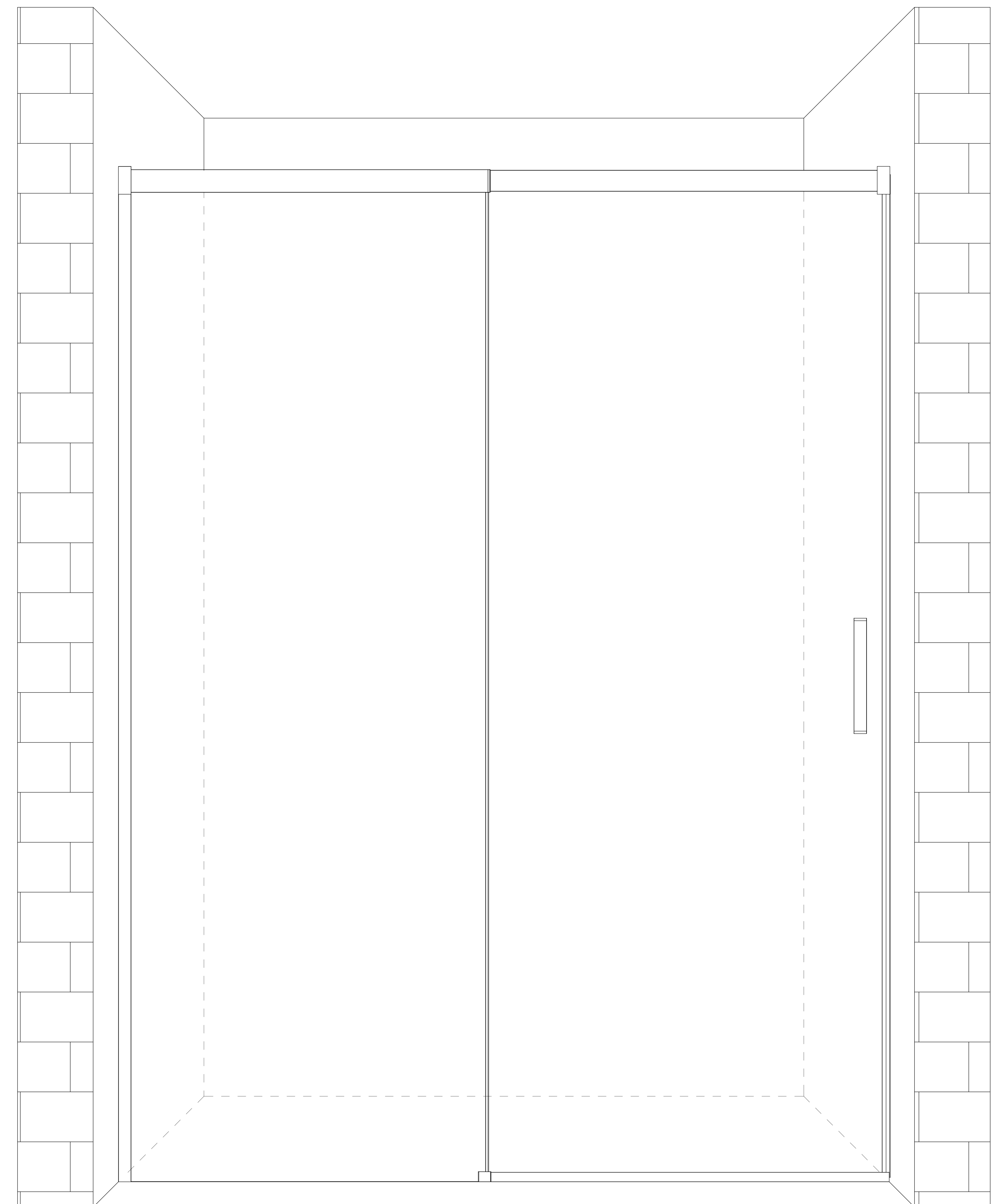
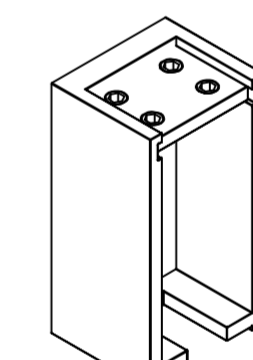


Installation Manual

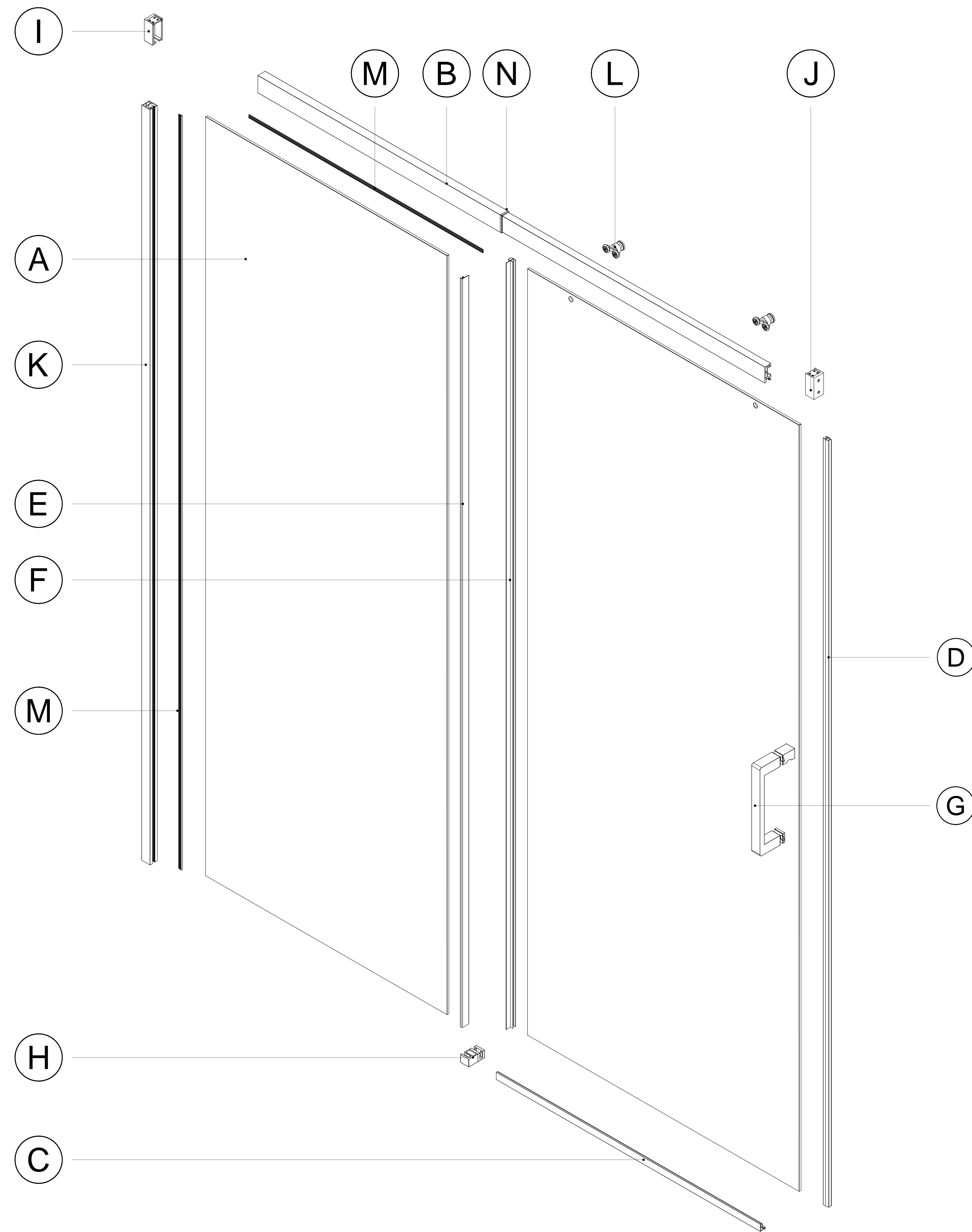
RX-SD19-6076



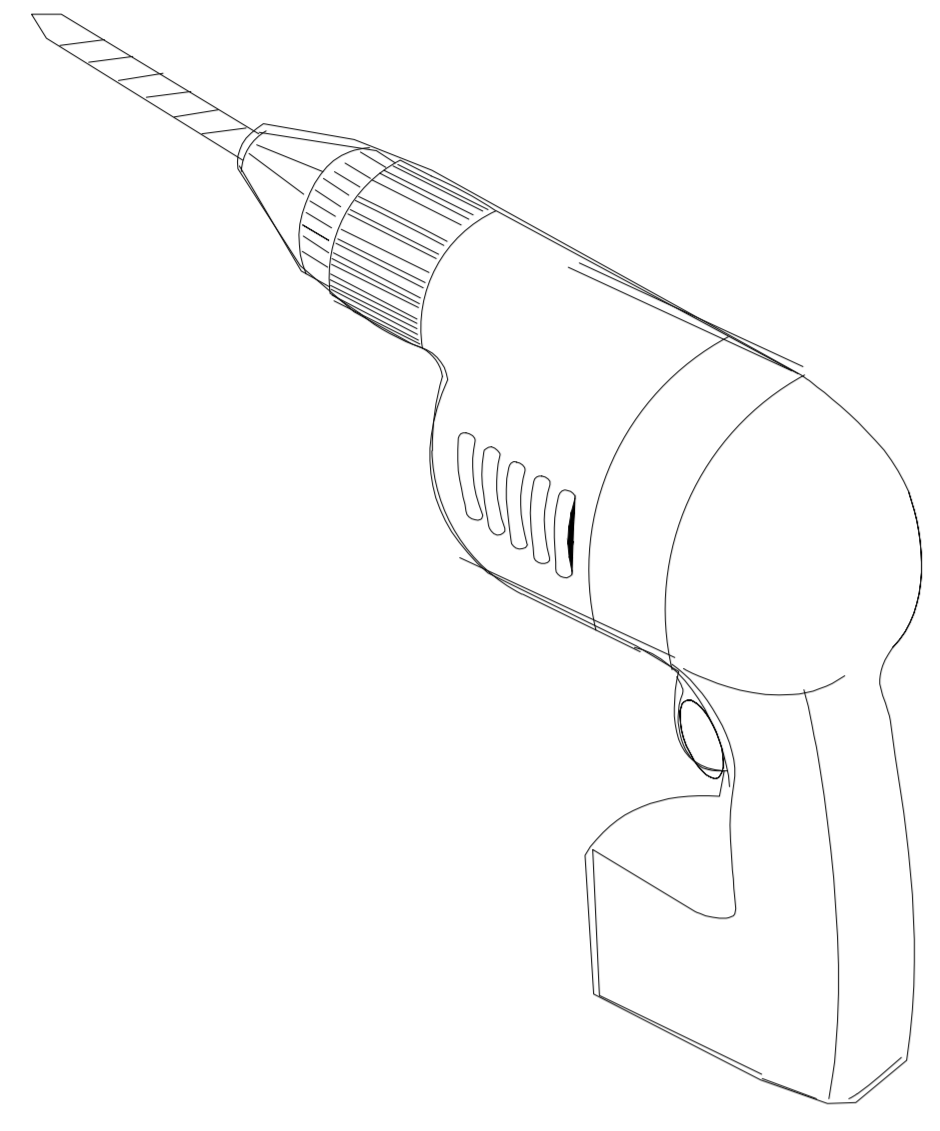
PARTS AND HARDWARE LISTING

ITEM	NAME	QTY	PICTURE
A	Tempered glass	2	
B	Telescopic upper guide	1	
C	Bottom waterproof strip	1	
D	Waterproof tape	1	
E	Water retaining adhesive strip	1	
F	Waterproof tape with bubble	1	
G	Handle	1	
H	Guide block	1	
I	Fixed glass lock wall seat	1	
J	Movable glass lock wall seat	1	
K	Waterproof tape	1	
L	pulley	2	
M	Rubber strip	2	
N	Guide trim cover (Distinguish between left and right directions)	2	

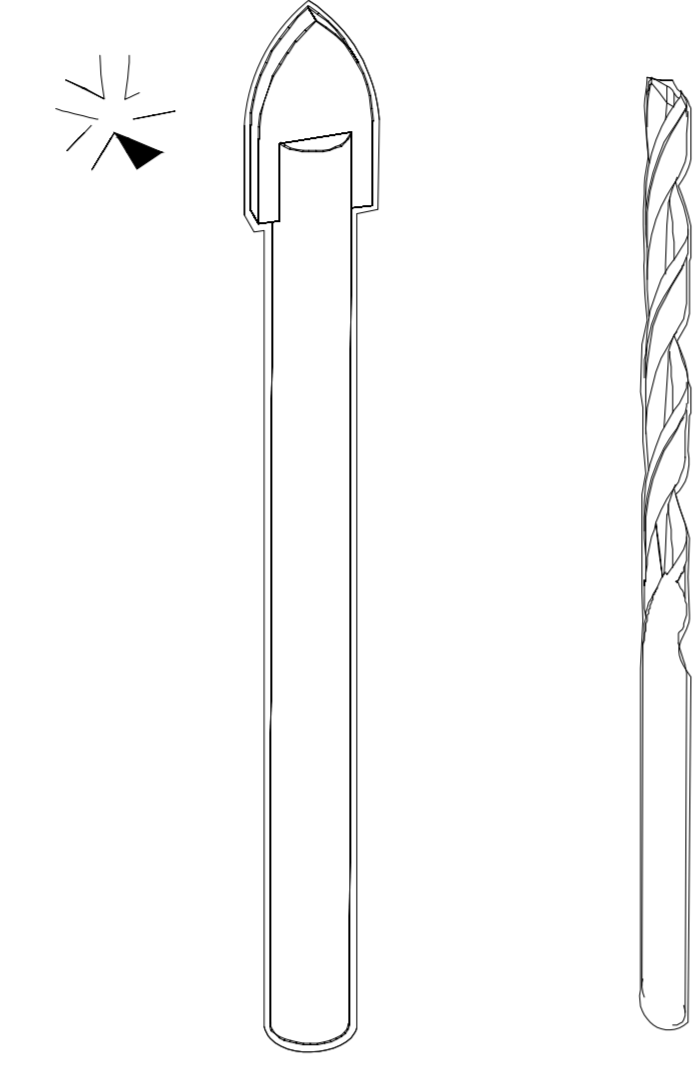
PARTS AND HARDWARE LISTING



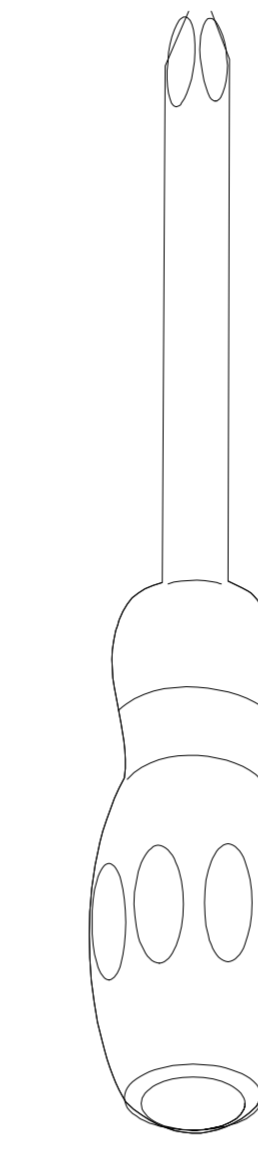
REQUIRED TOOLS



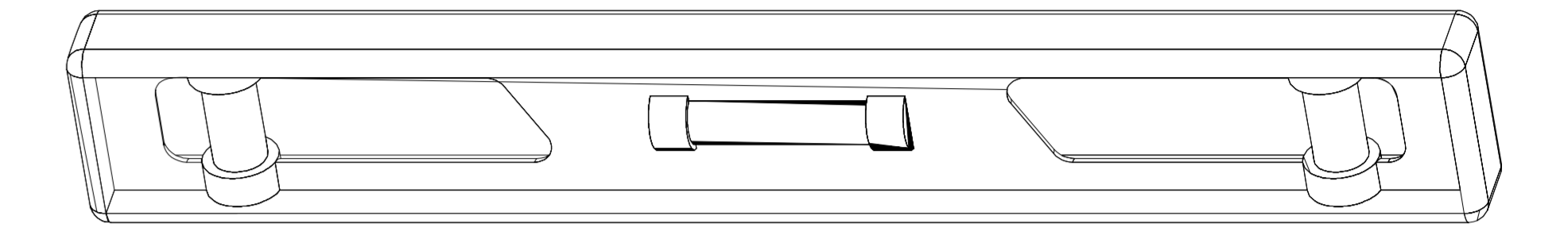
1# DRILL



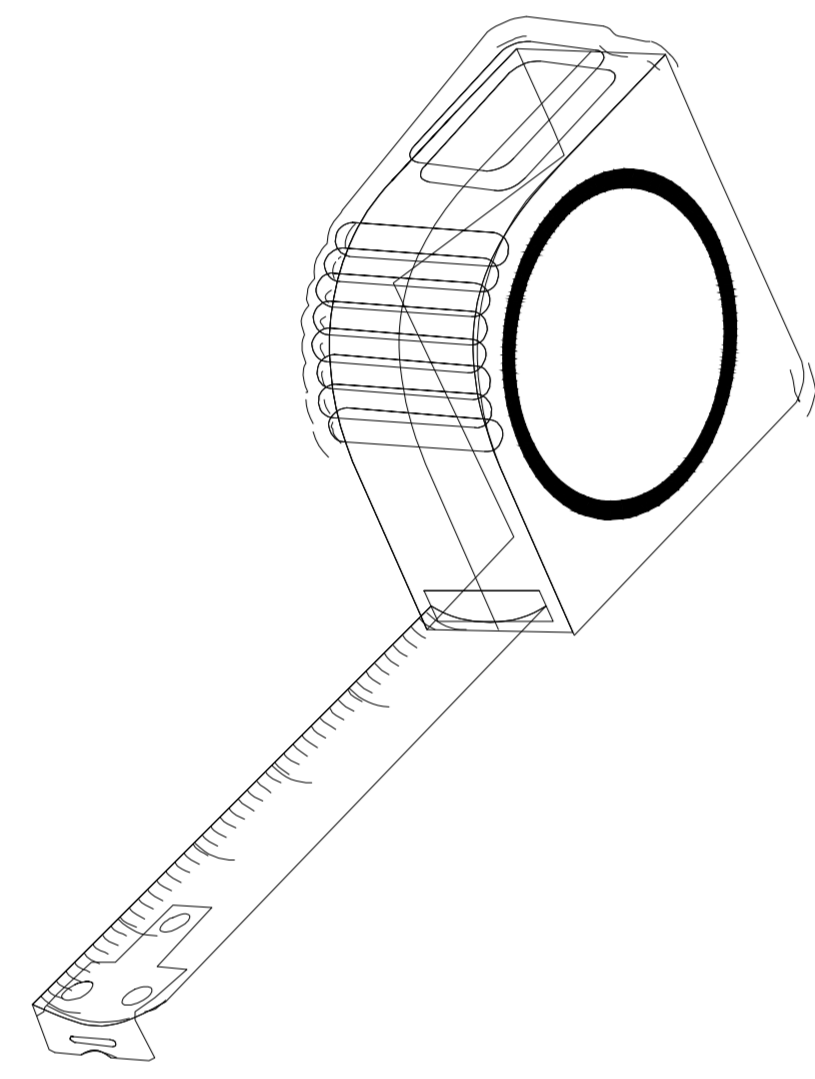
2# DRILL BITS
64mm & 32mm



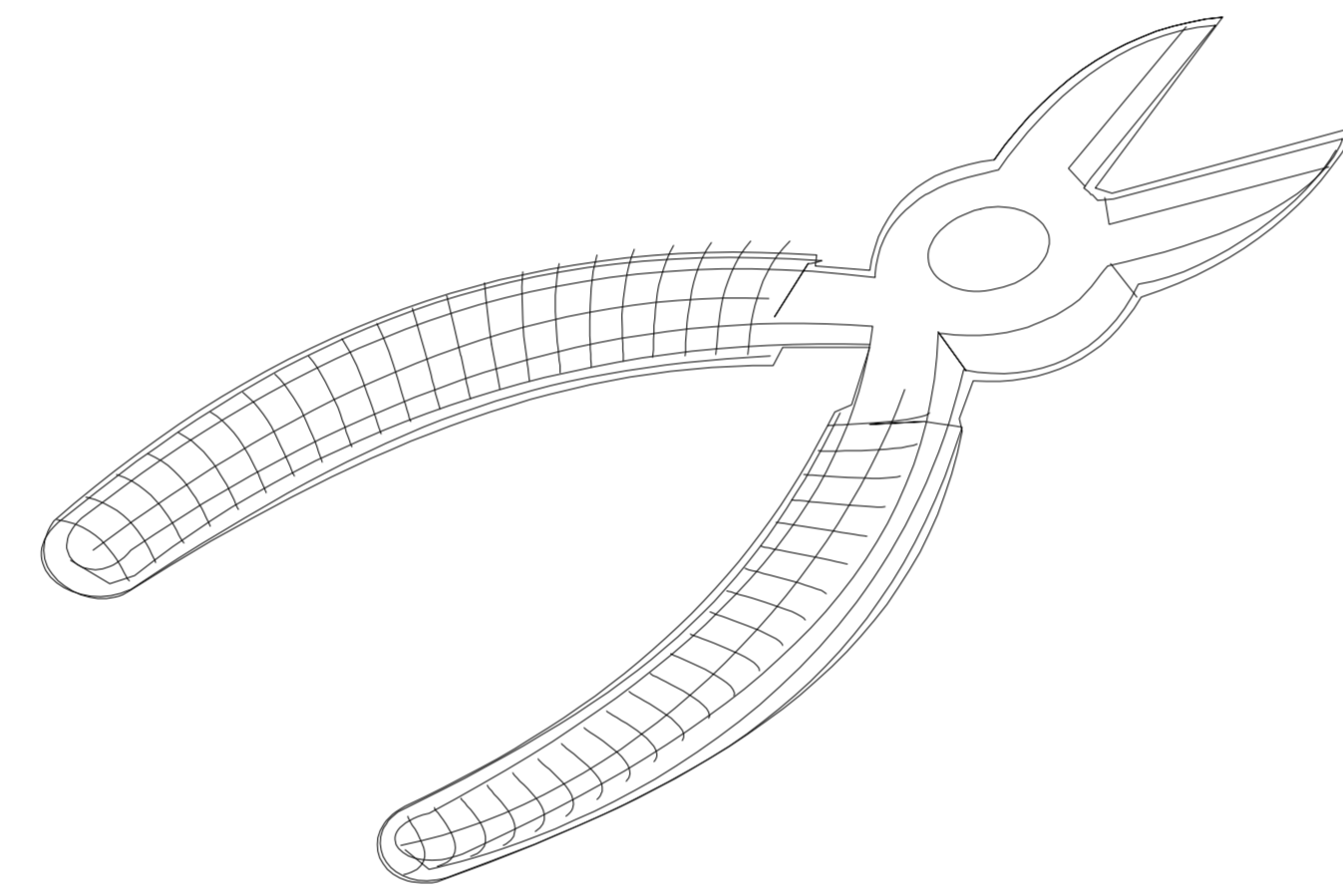
3# SCREWDRIVER



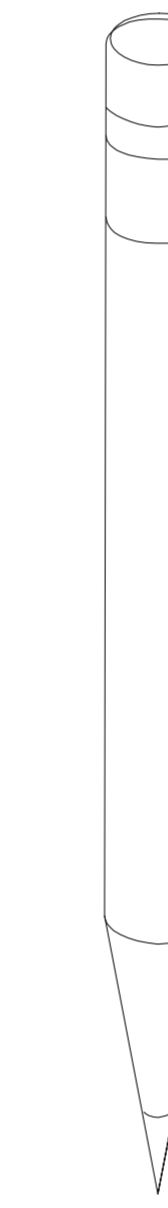
4# LEVEL



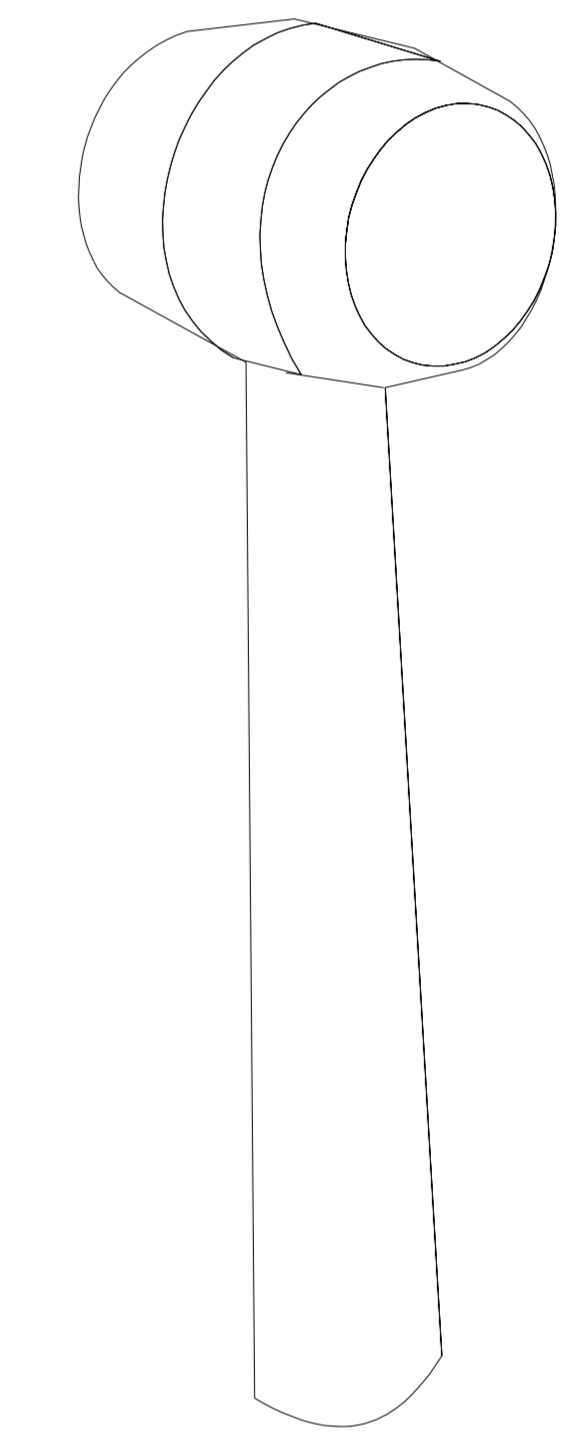
5# TAPE MEASURE



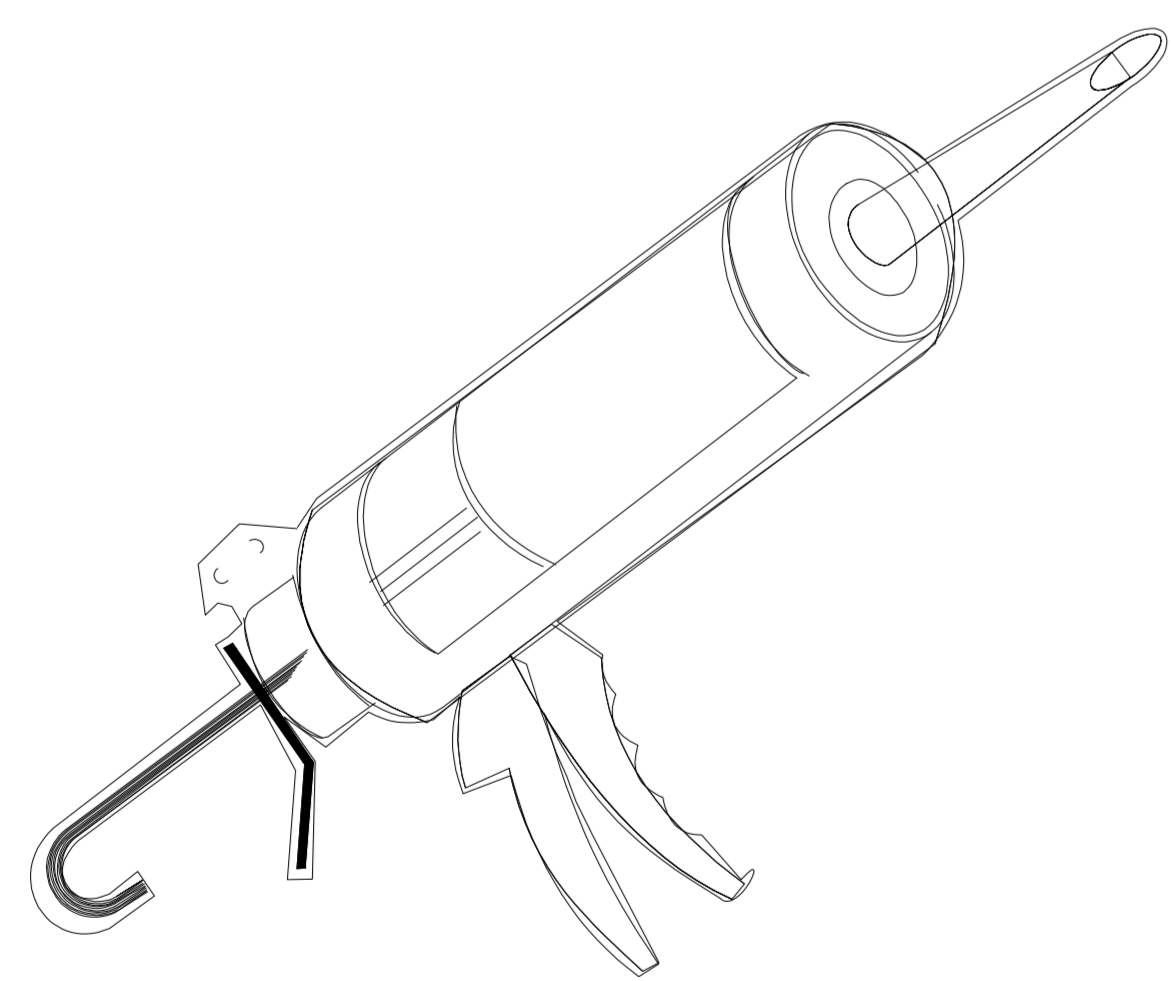
6# CUTTING PLIER



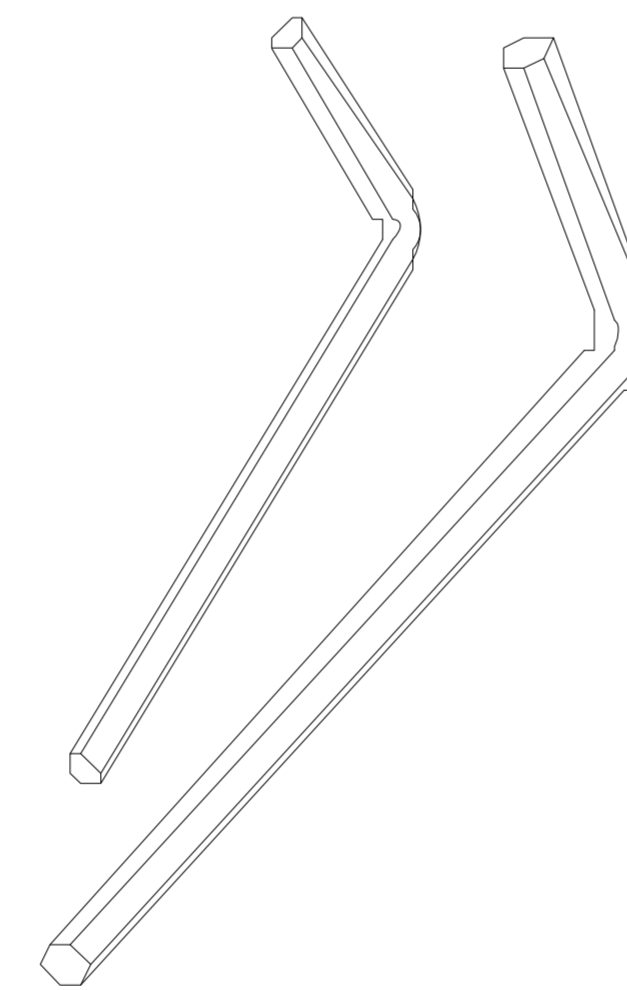
7# PENCIL



8# MALLET



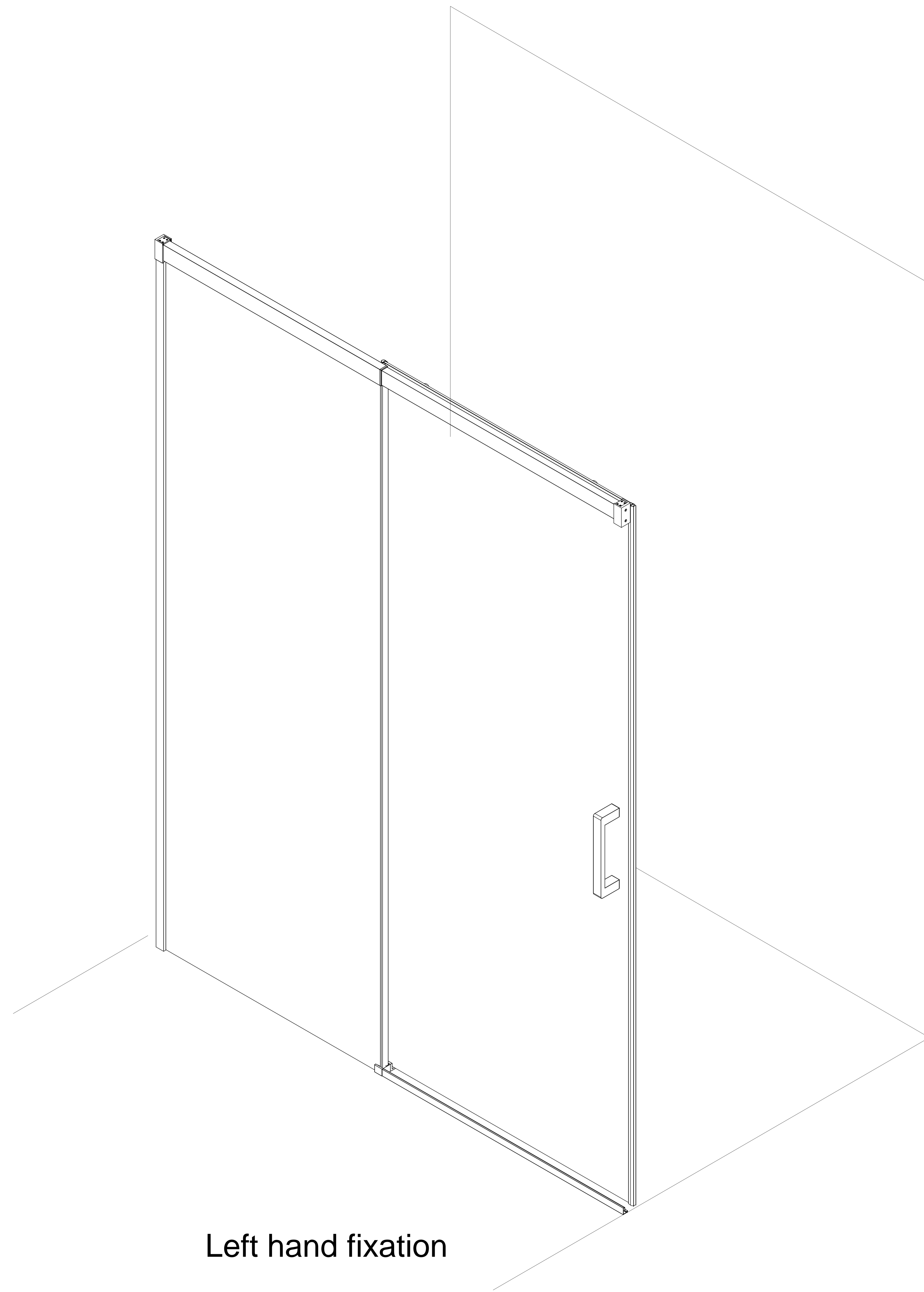
9# SILICONE



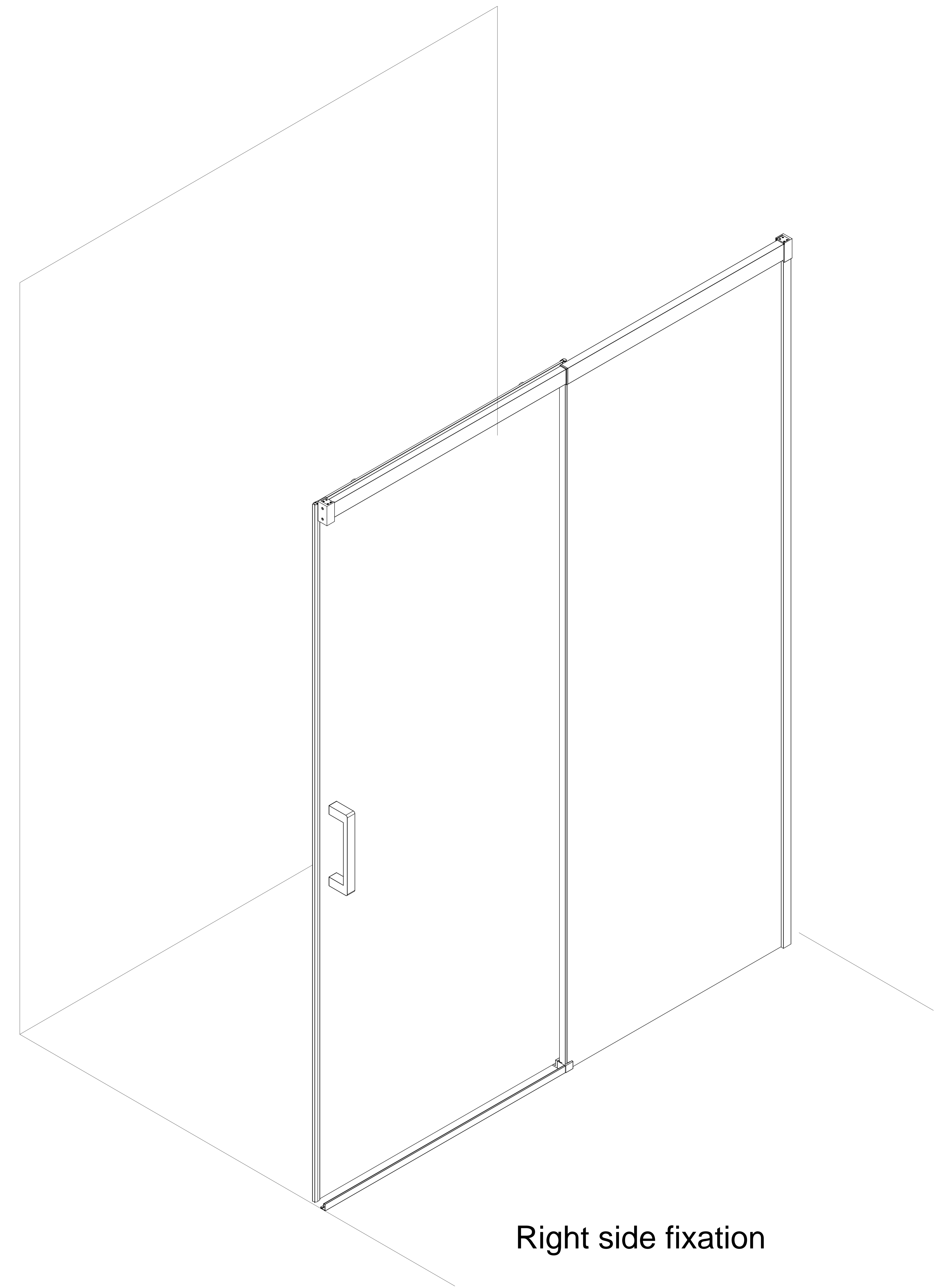
10# ALLEN KEY
2mm&2.5mm&4mm&5mm

* Use a 1/4" drill bit for ceramic when drilling into ceramic tiles

Overall Installation displaying



Left hand fixation



Right side fixation

Installation effect diagram of shower enclosure

STEP-1-1

Measure site wall to wall dimensions.



W

5# TOOLS

10# TOOLS

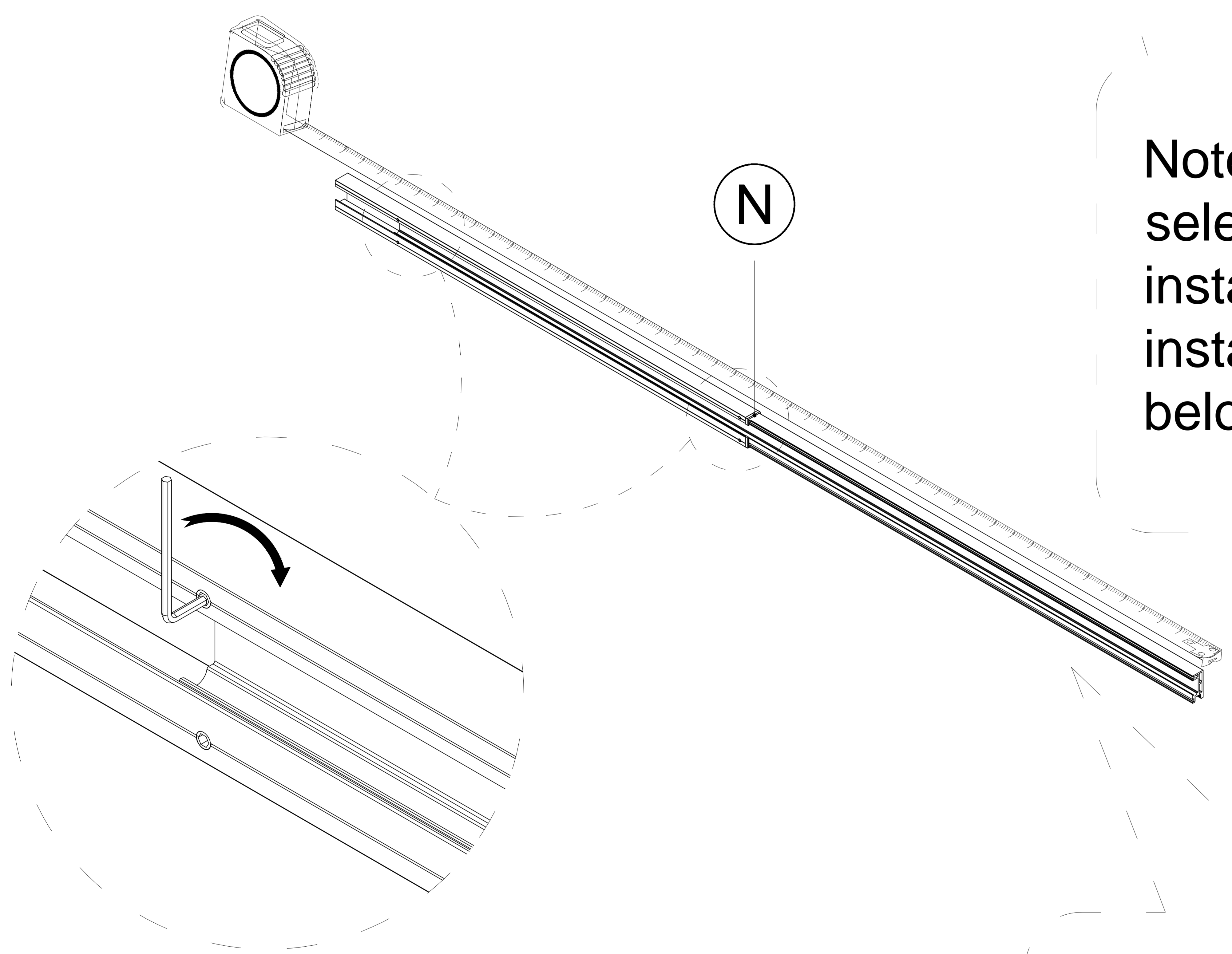
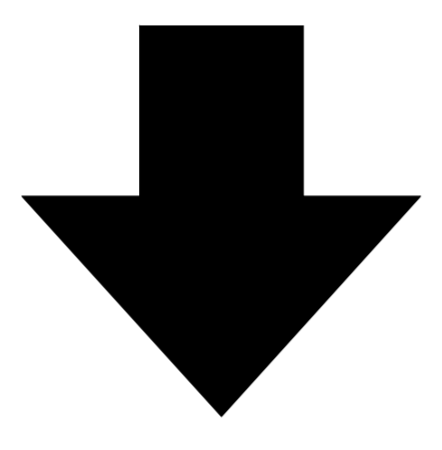
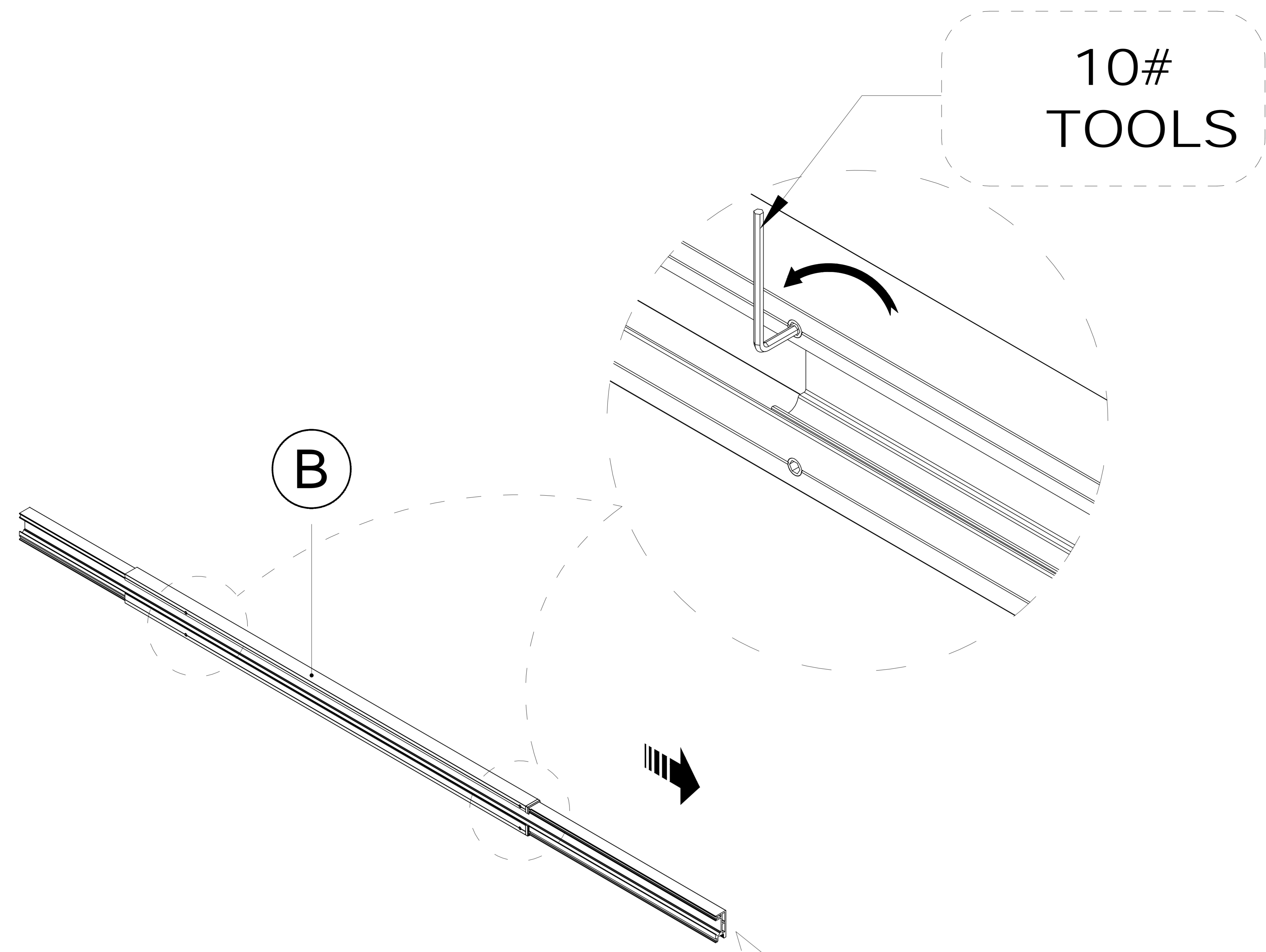
Note: If the door opening direction is selected to move to the left during installation, the top rail should be installed according to the figure below

Total width minus 16MM

B

N

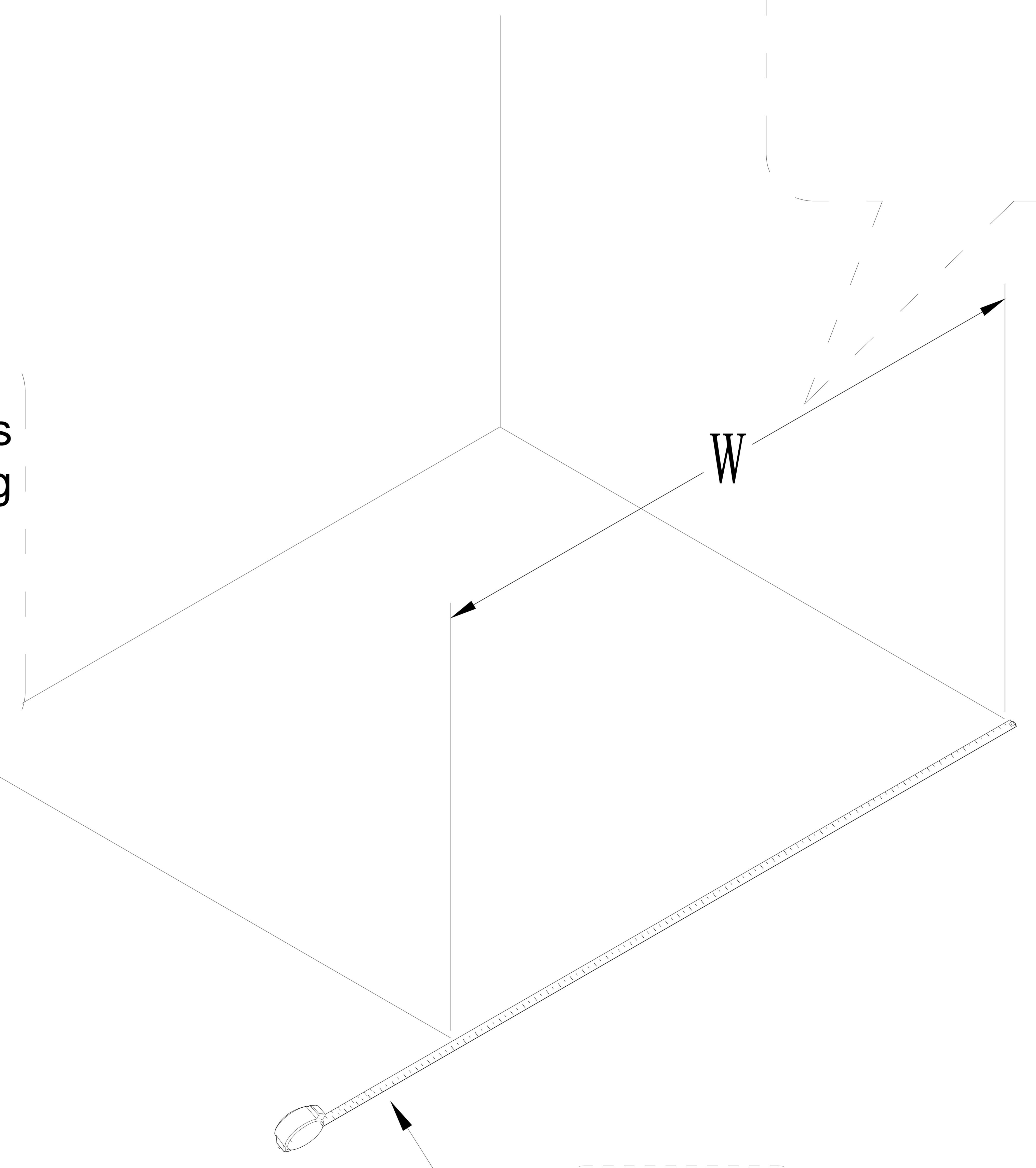

STEP-1-2



Note: If the door opening direction is selected to move to the Right during installation, the top rail should be installed according to the figure below

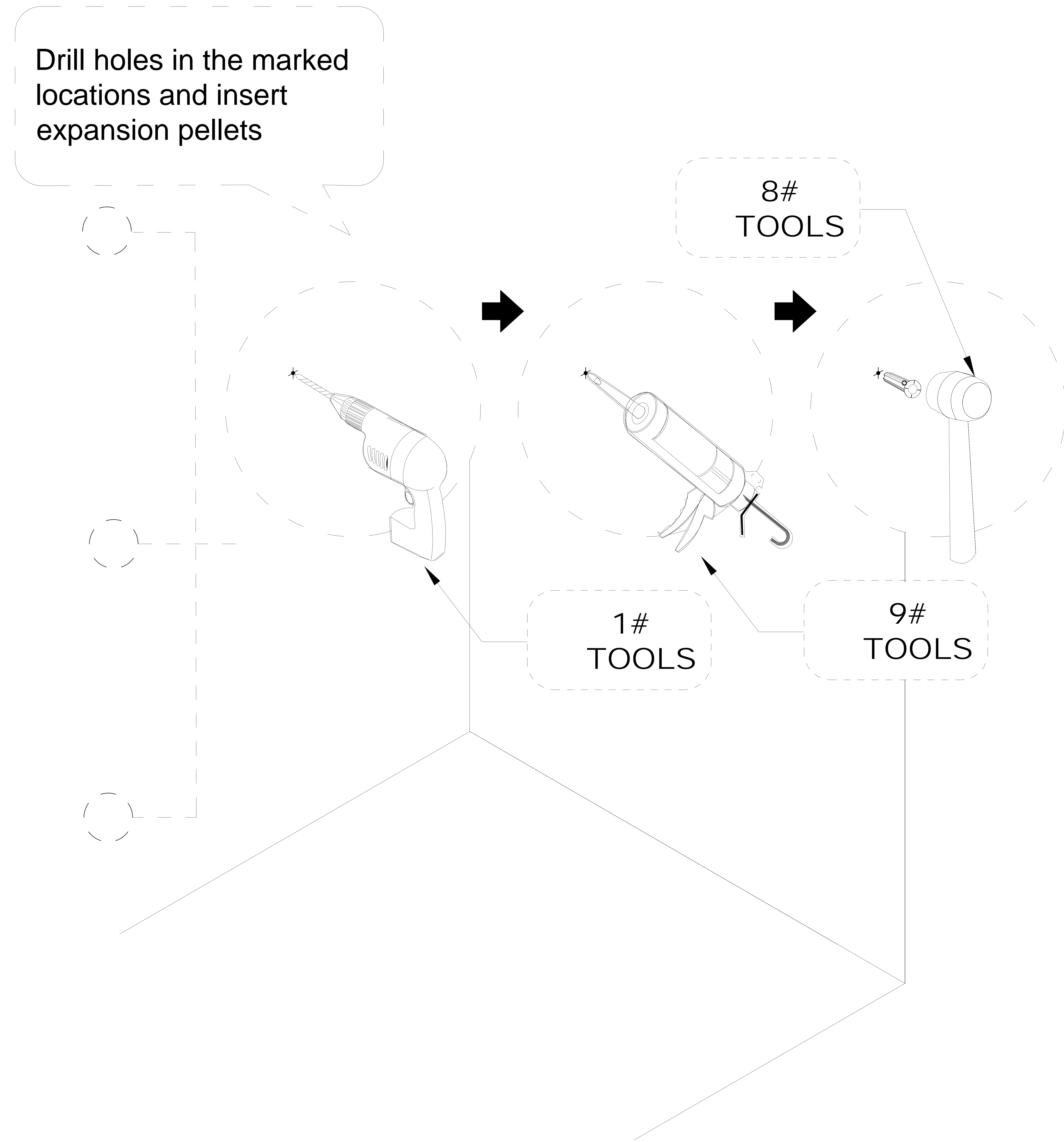
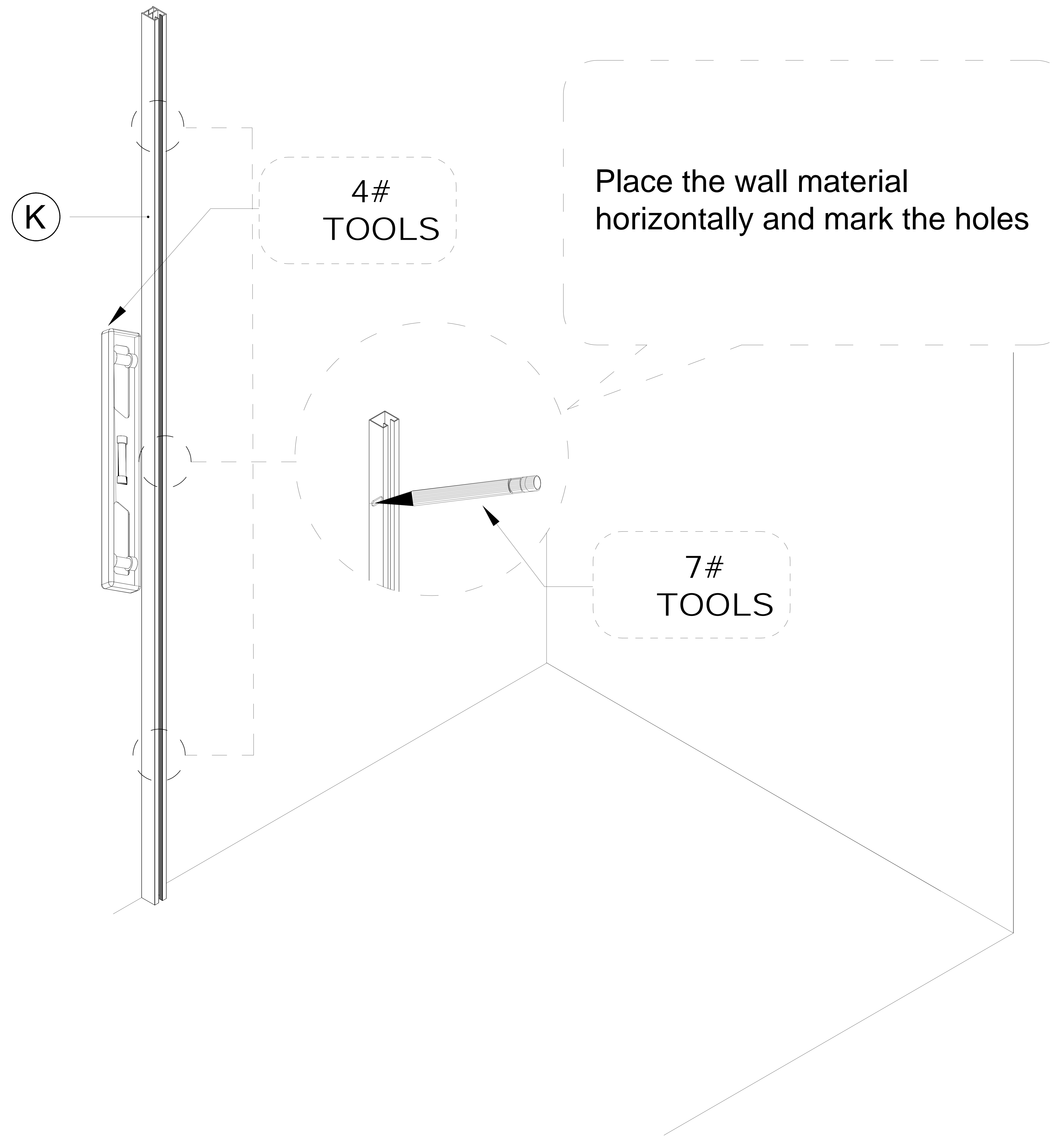
Total width minus 16MM

Measure the site wall to wall dimensions against cutting guides.

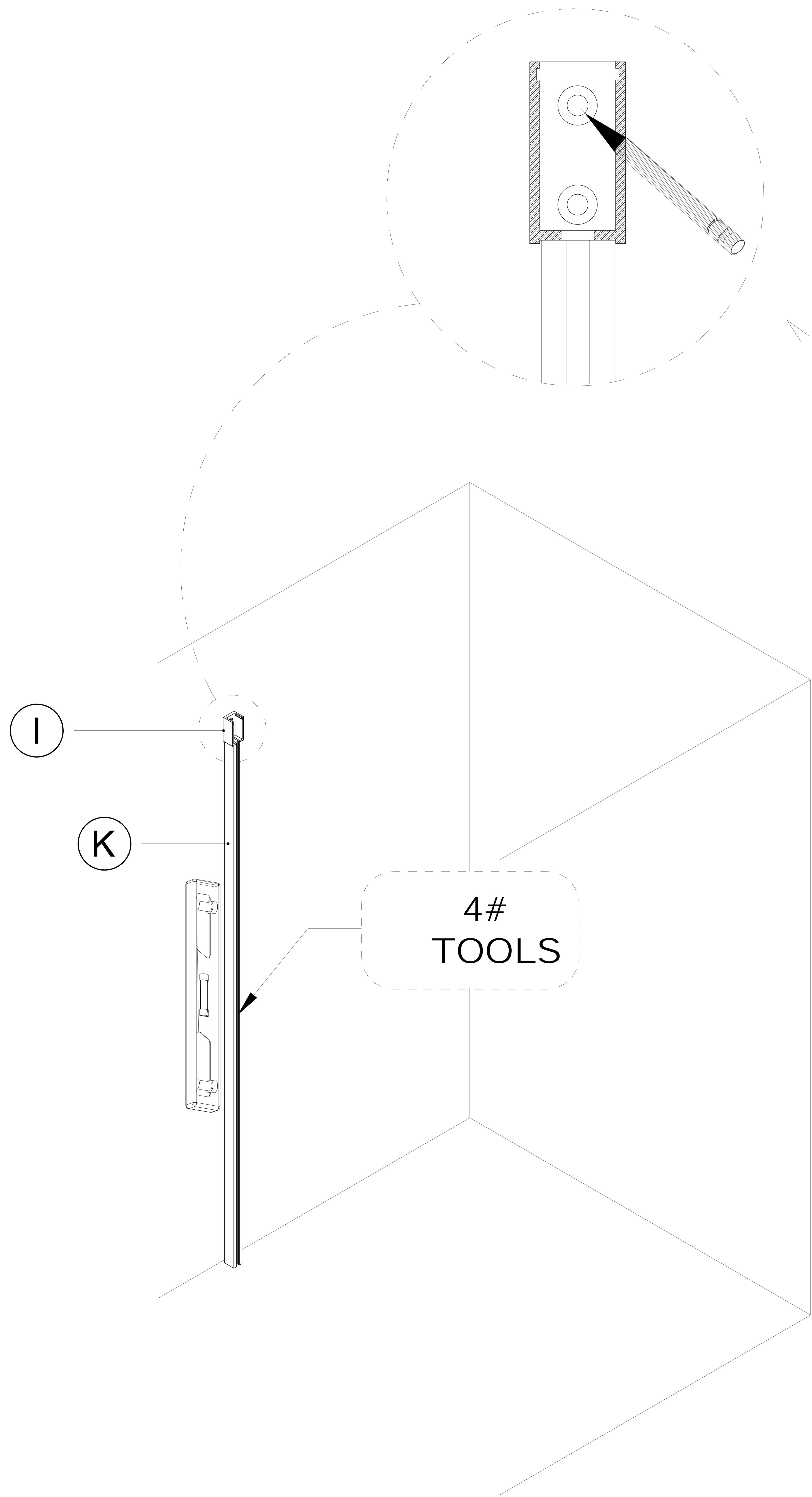


5# TOOLS

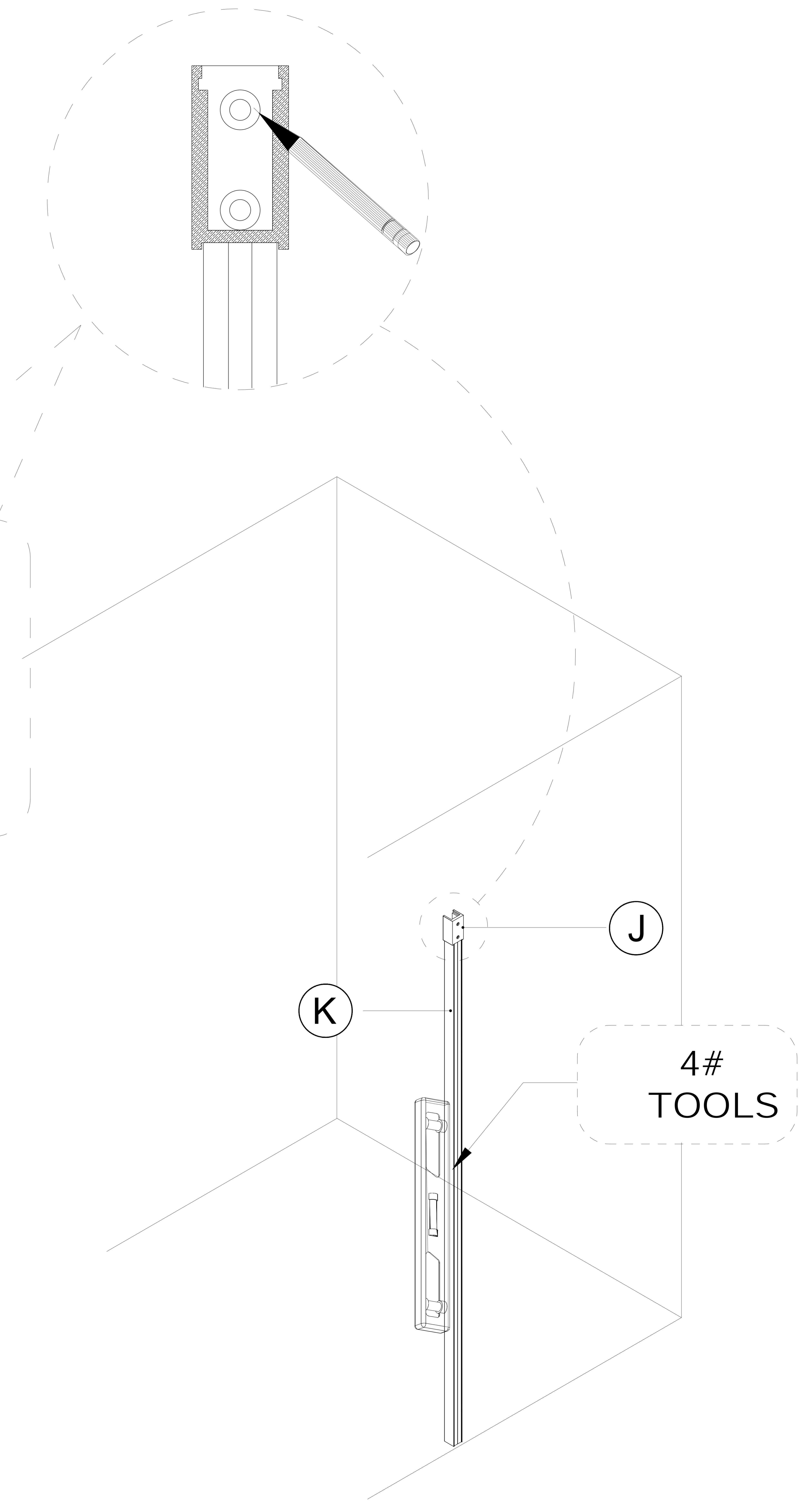
STEP- 2



STEP- 3

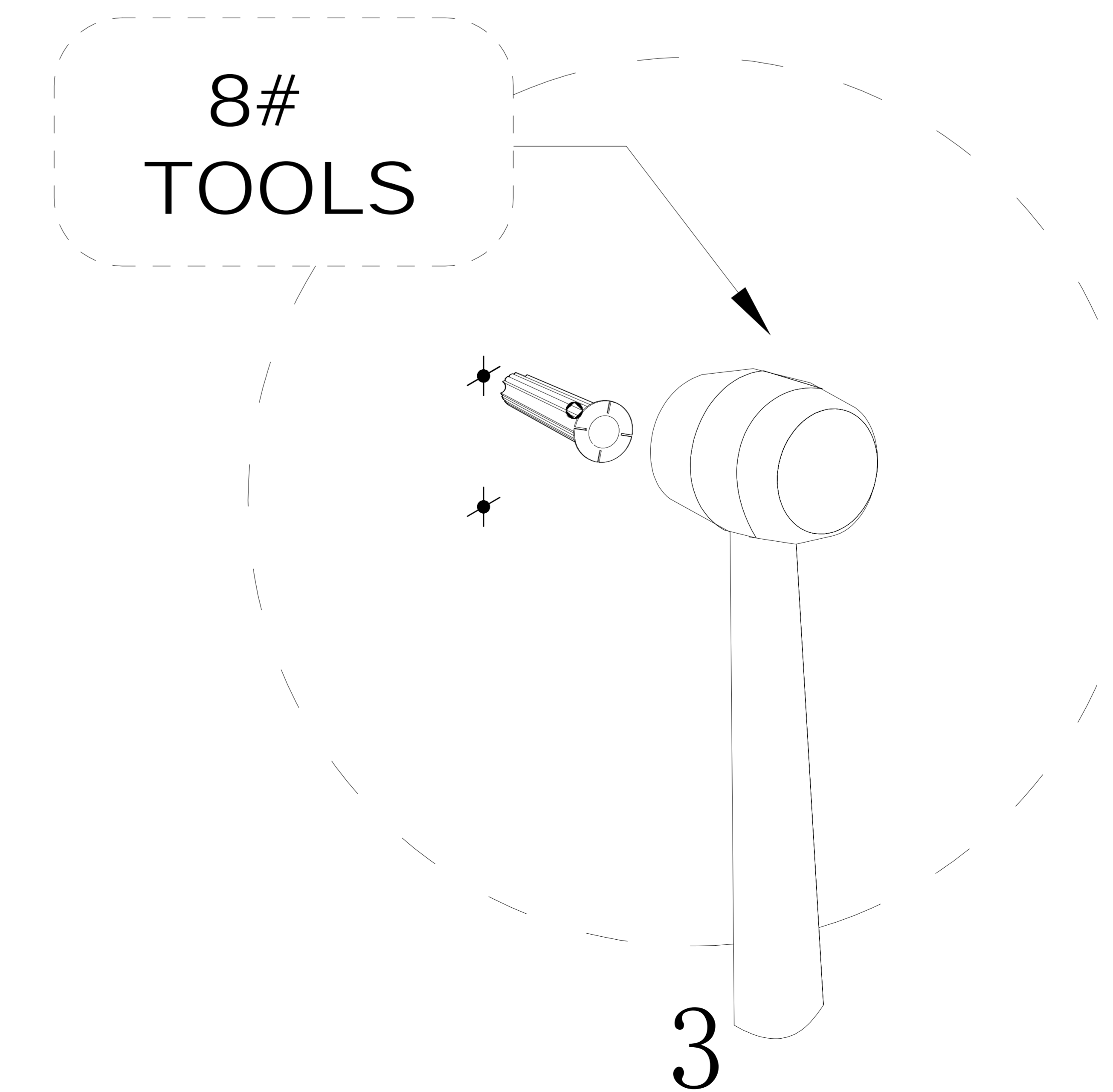
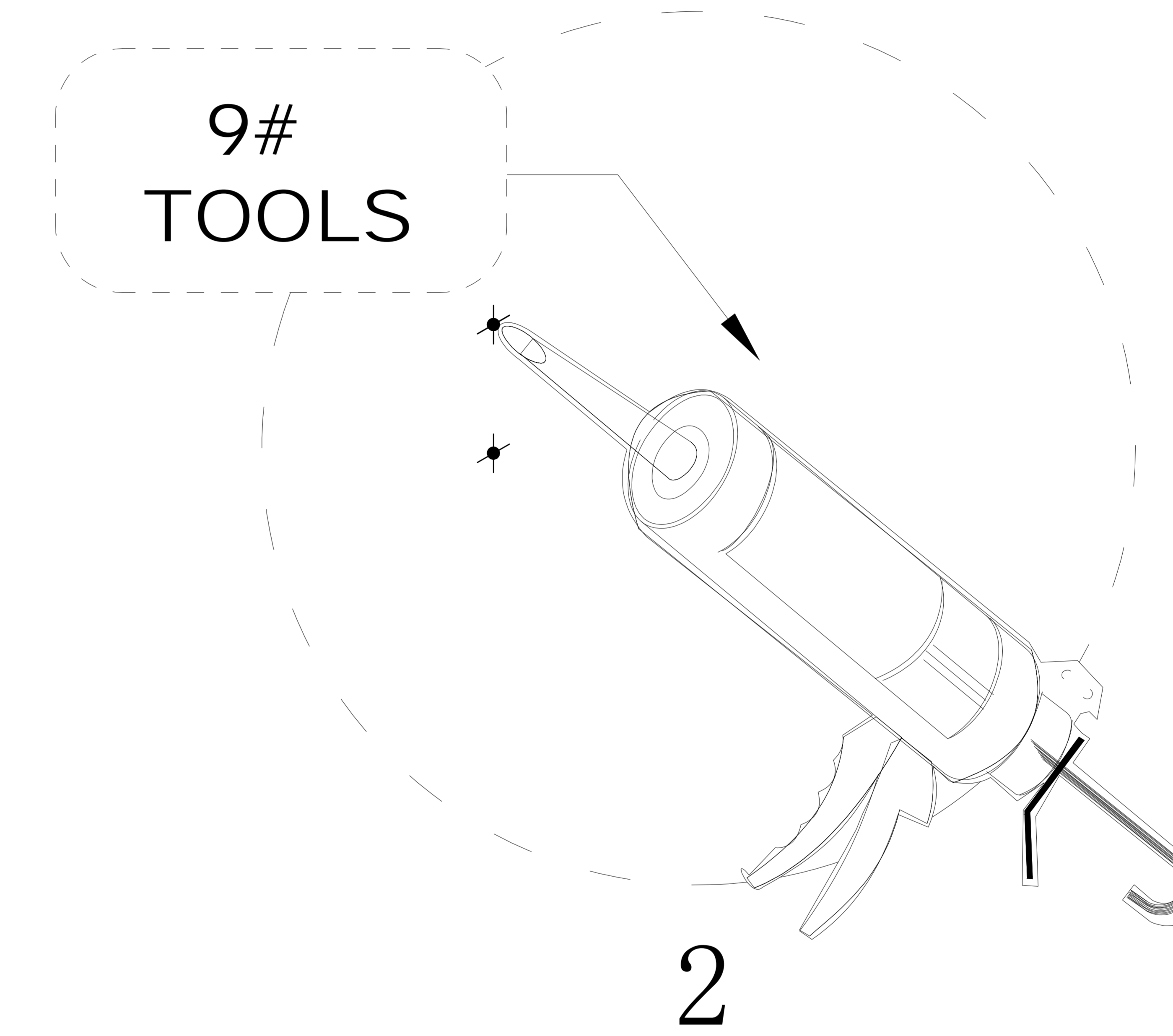
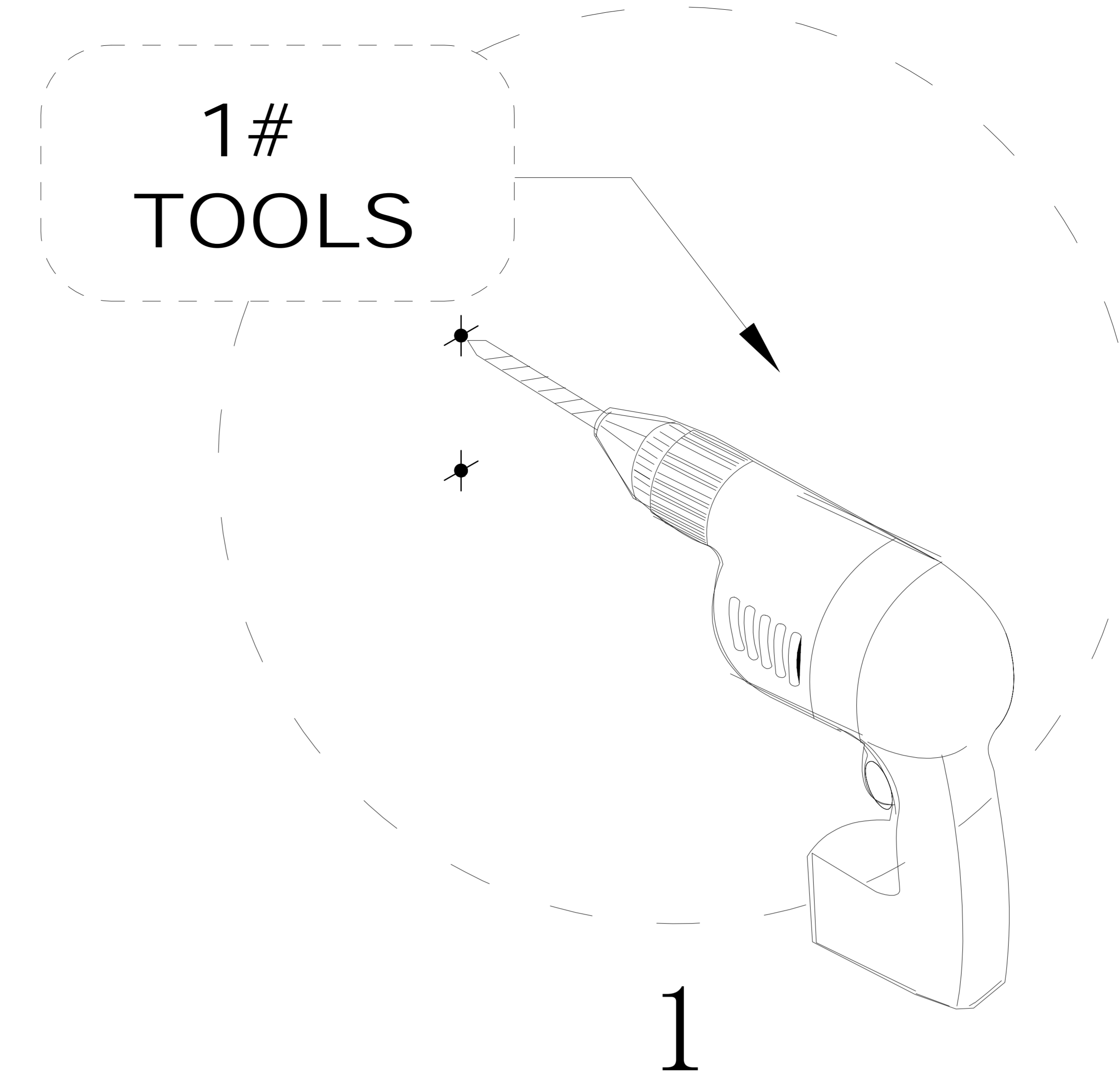
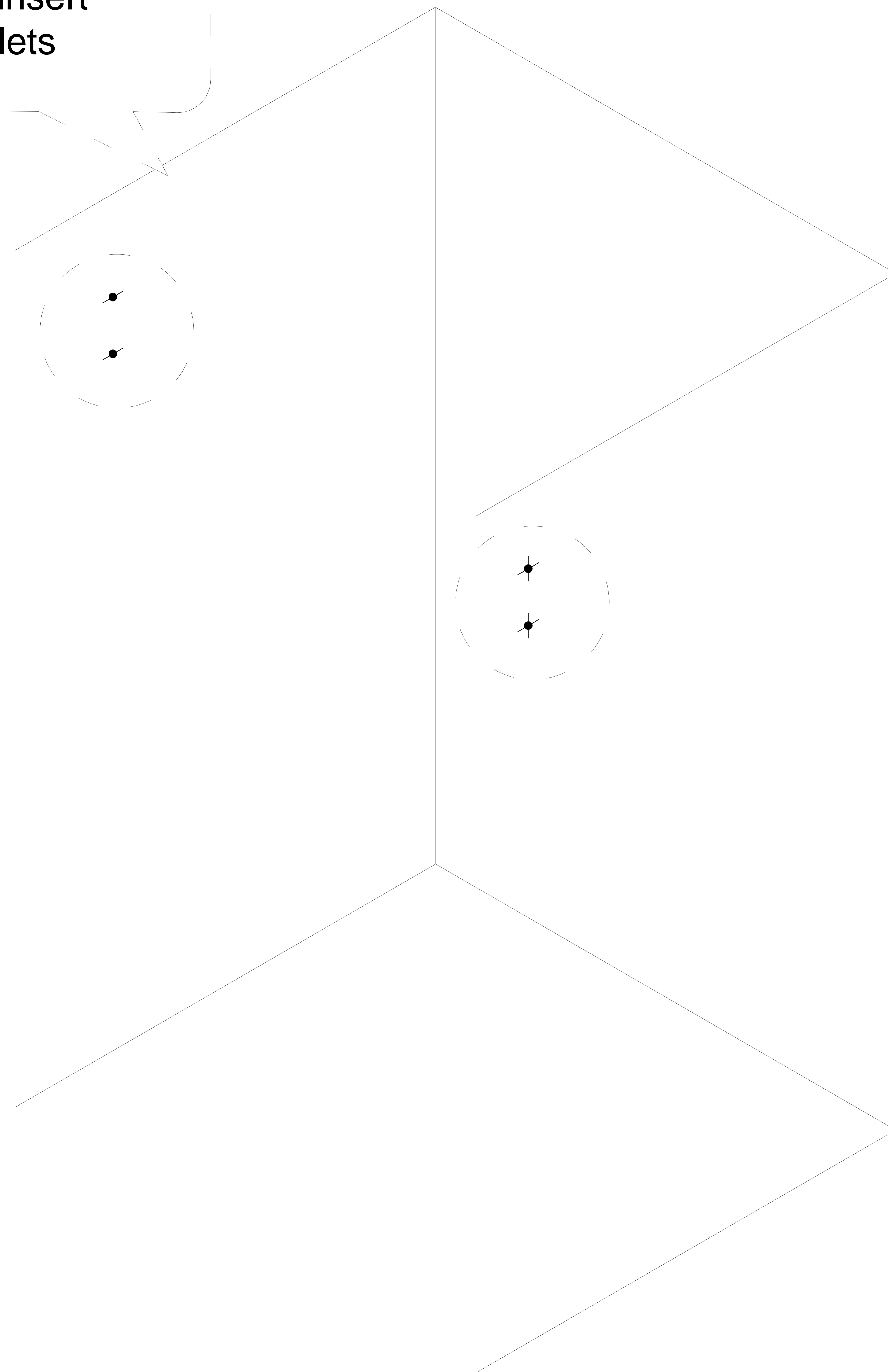


Place the wall material horizontally, place the lock wall seat on the top of the wall material, and mark the hole position;



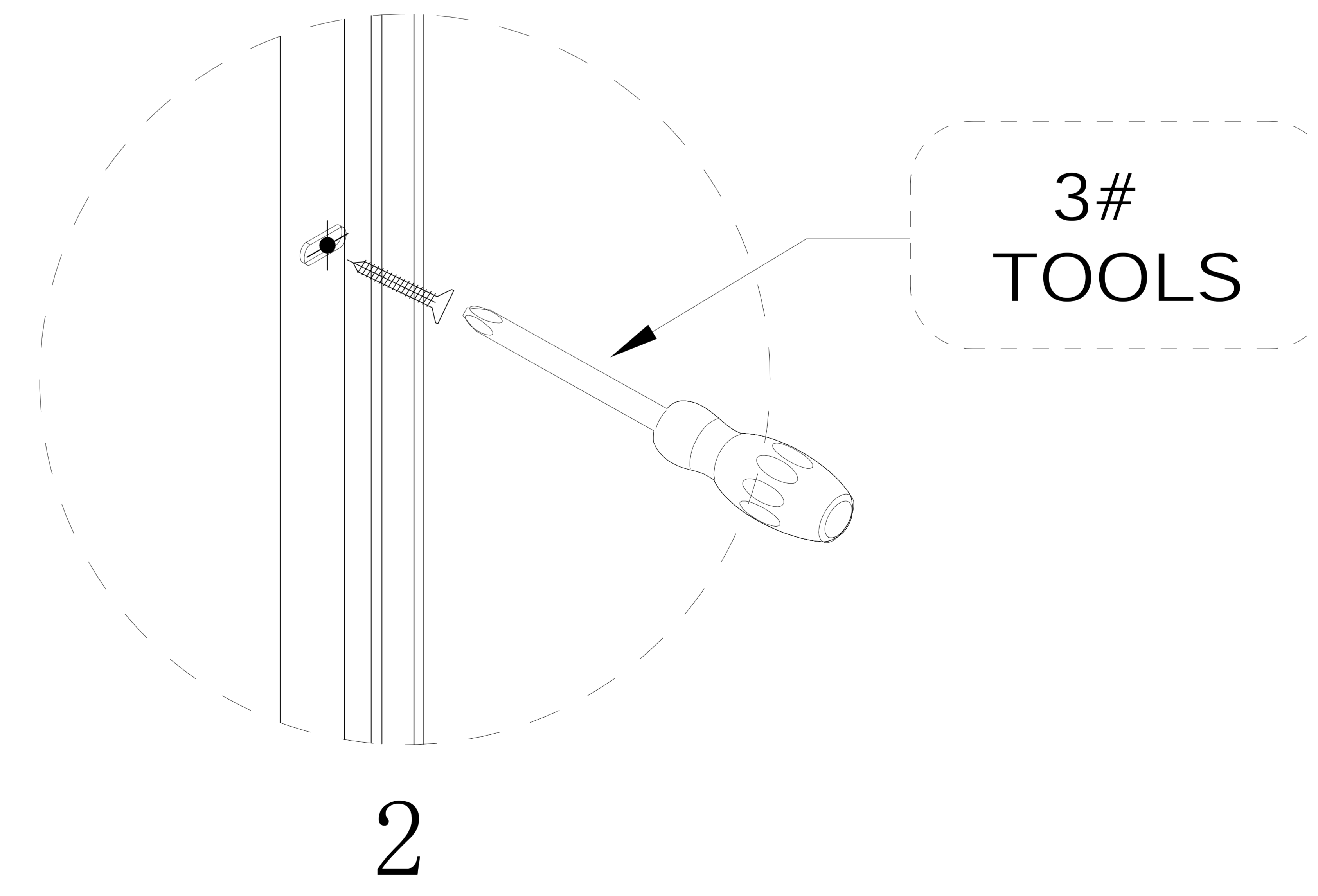
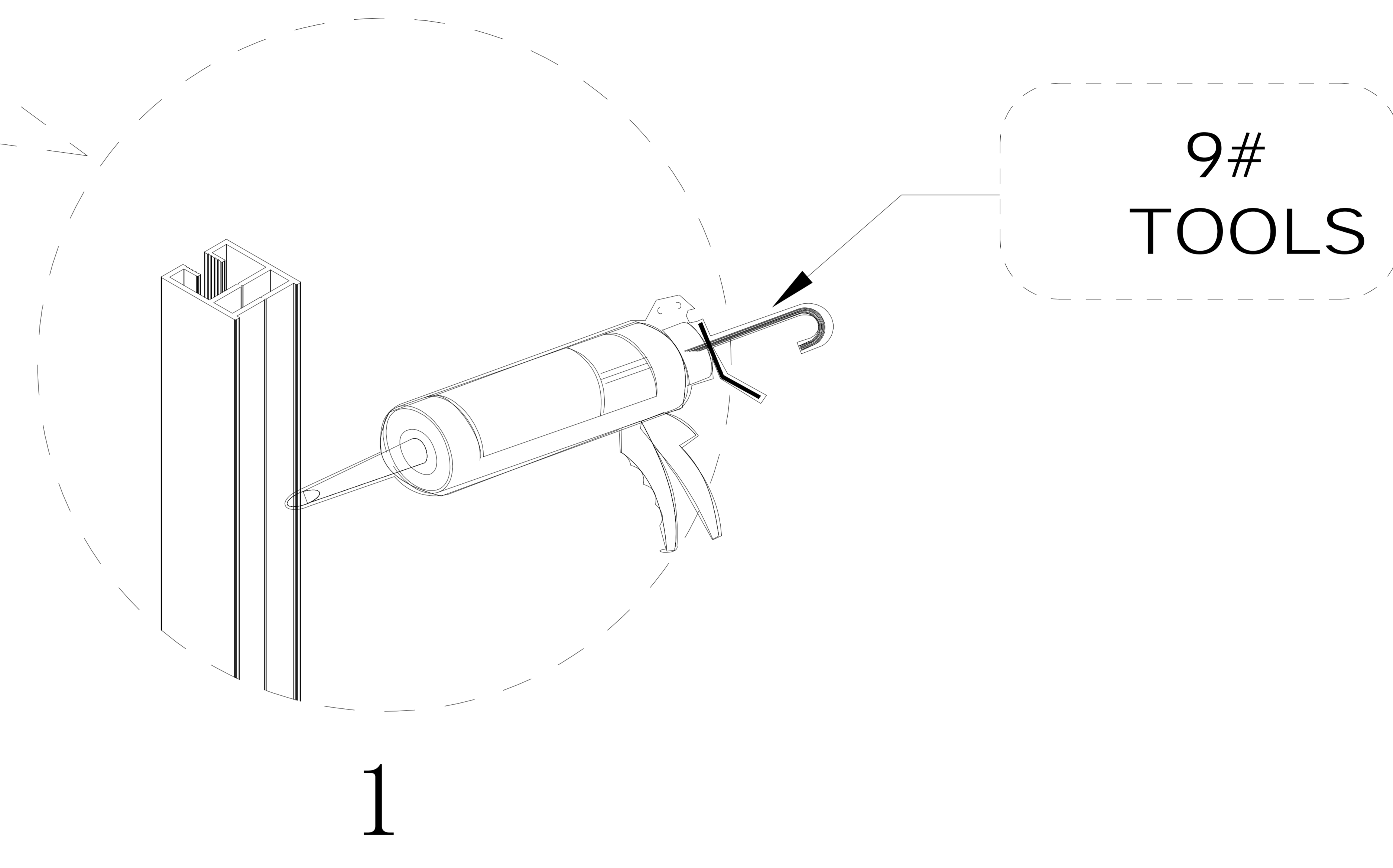
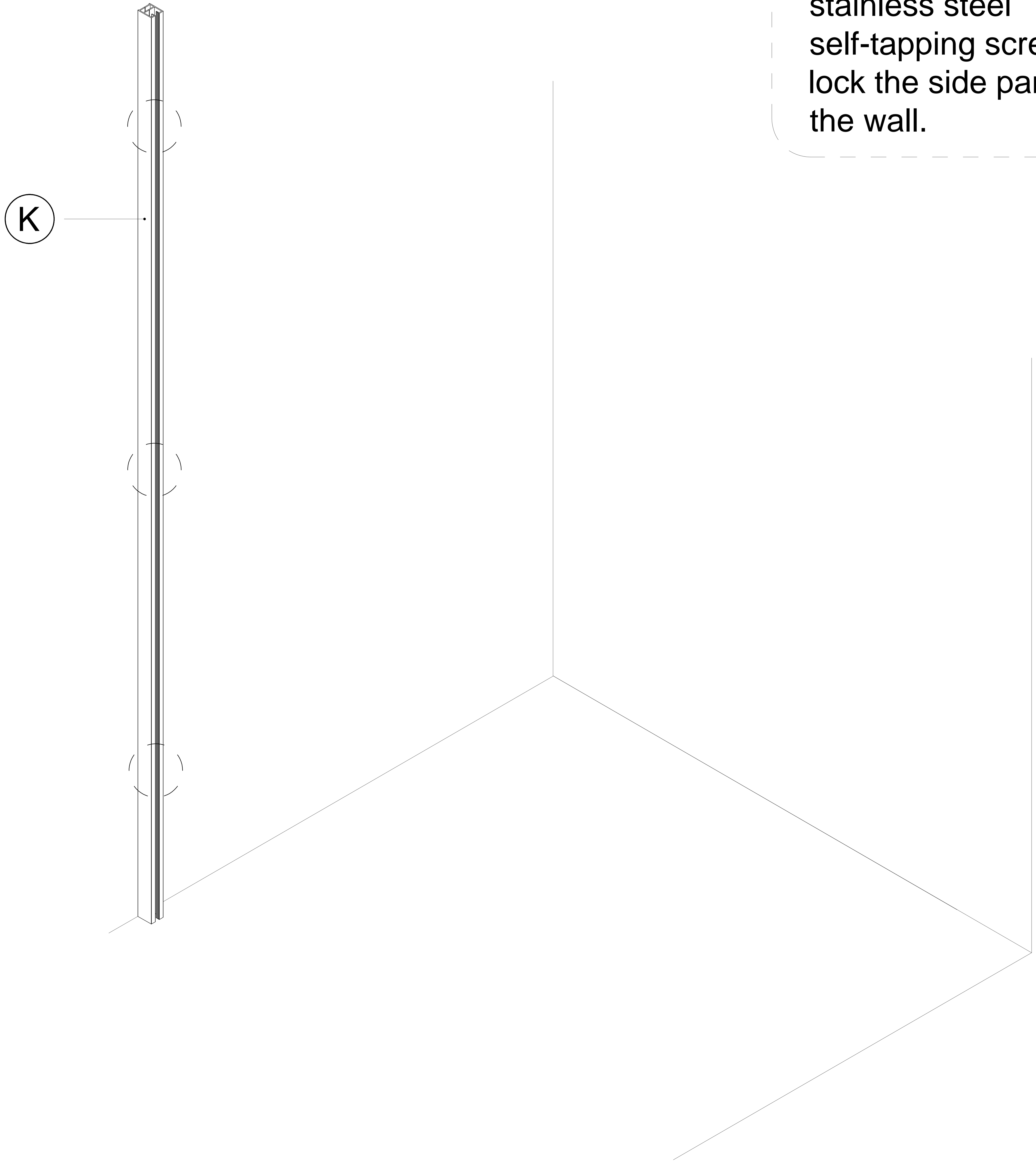
STEP- 4

Drill holes in the marked locations and insert expansion pellets

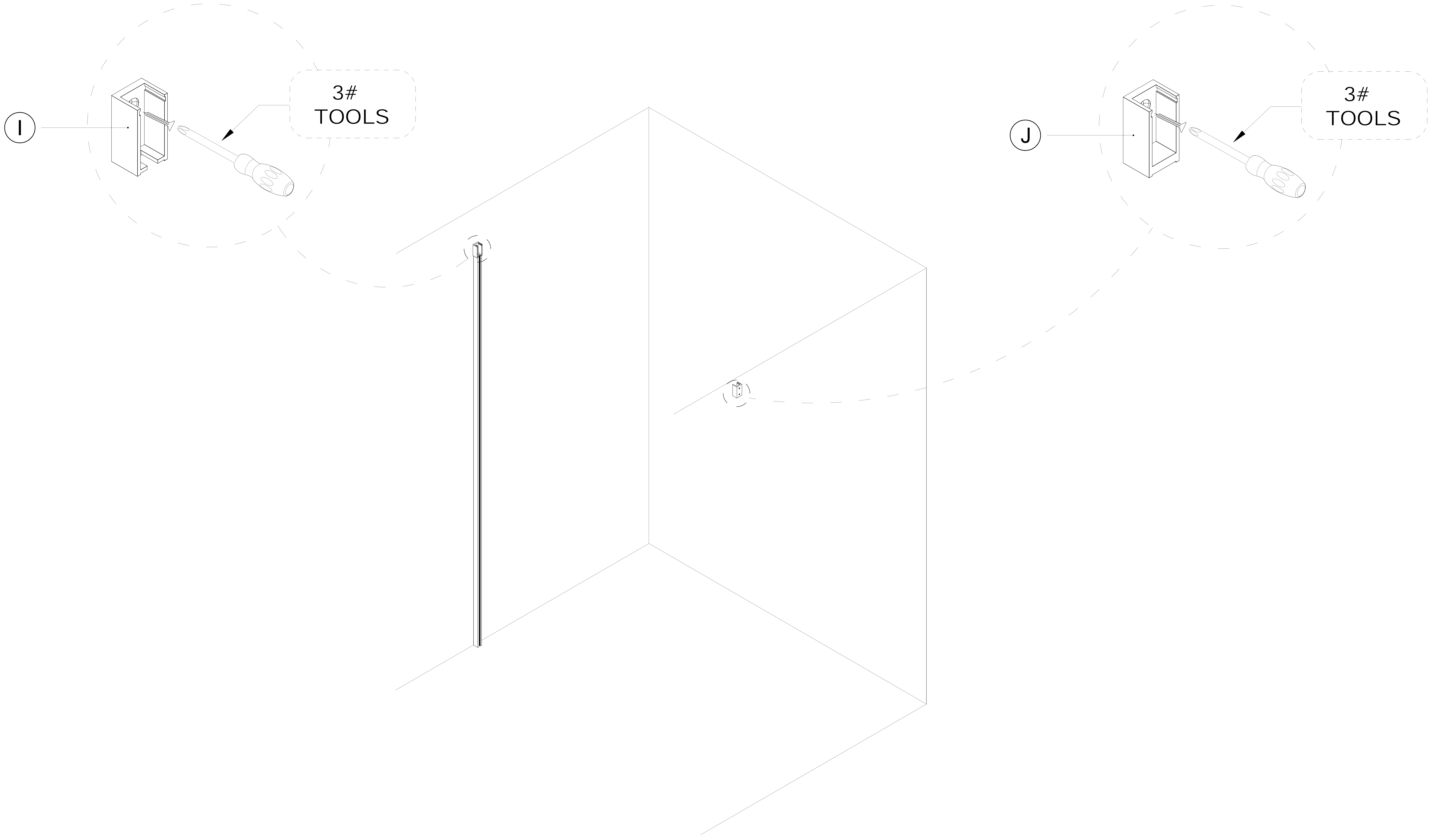


STEP- 5

- 1. Apply glass glue to the back of the wall
- 2. Use ST-4*35 stainless steel self-tapping screws to lock the side panel to the wall.

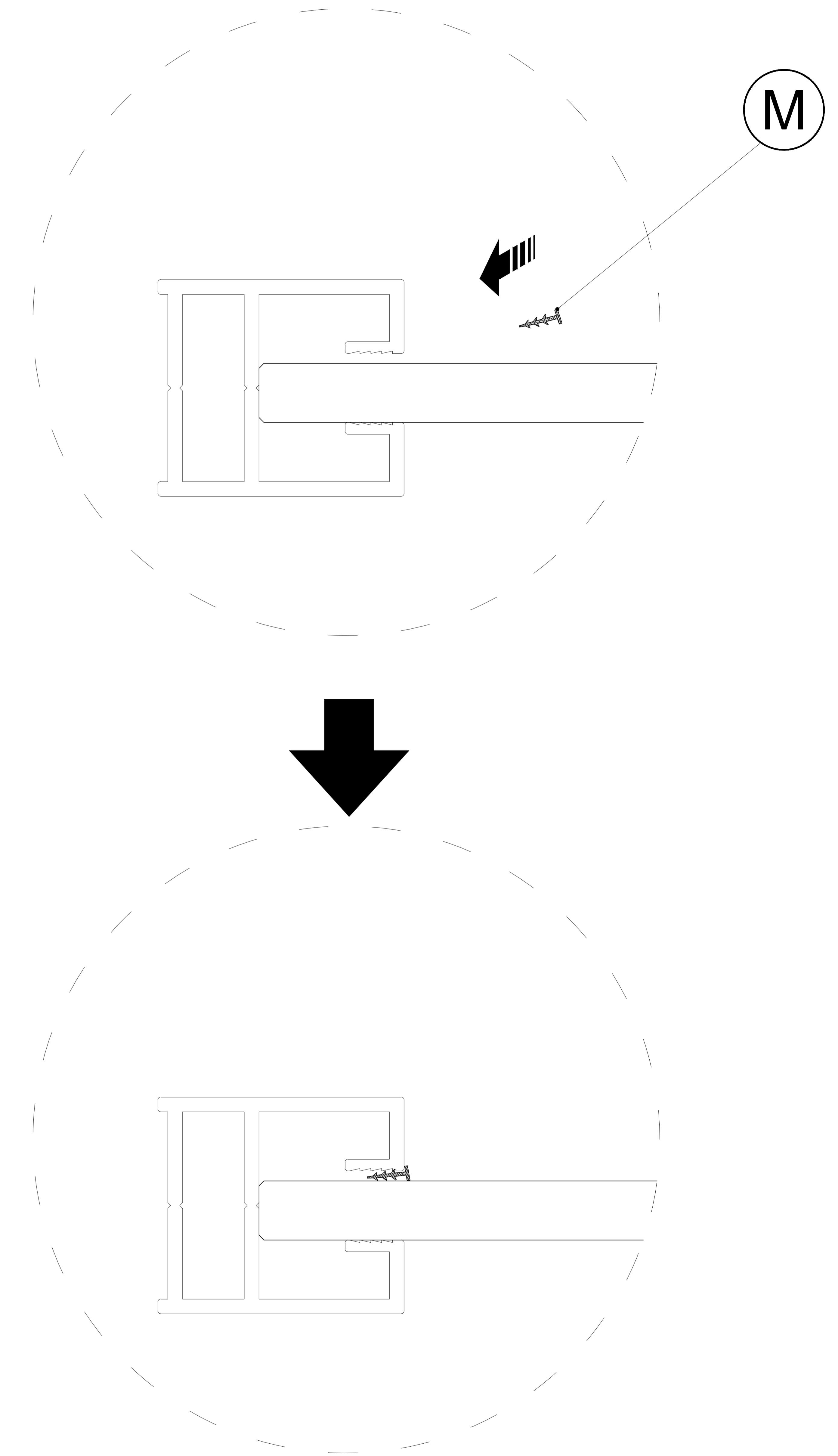
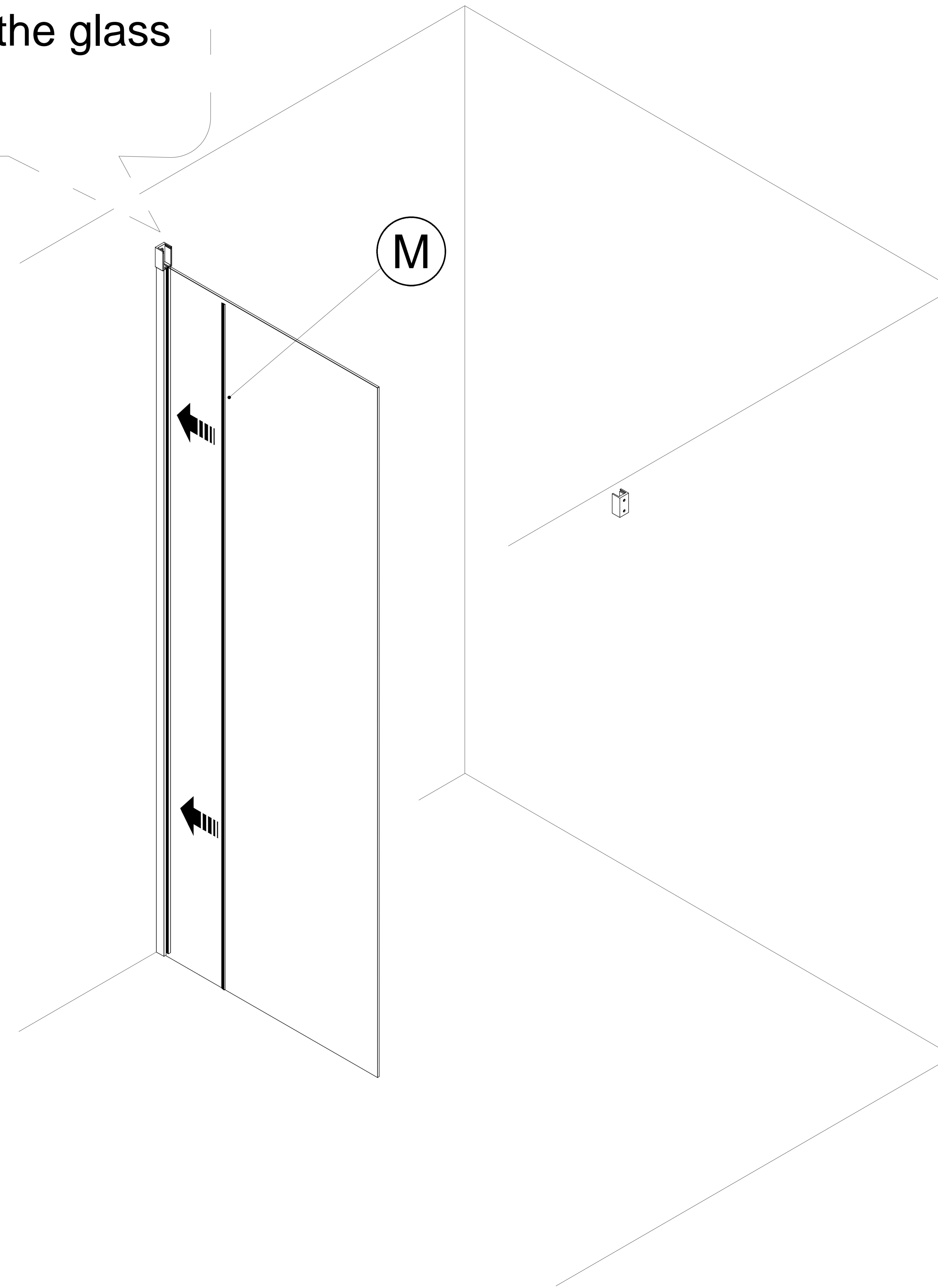
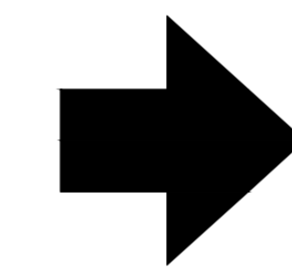
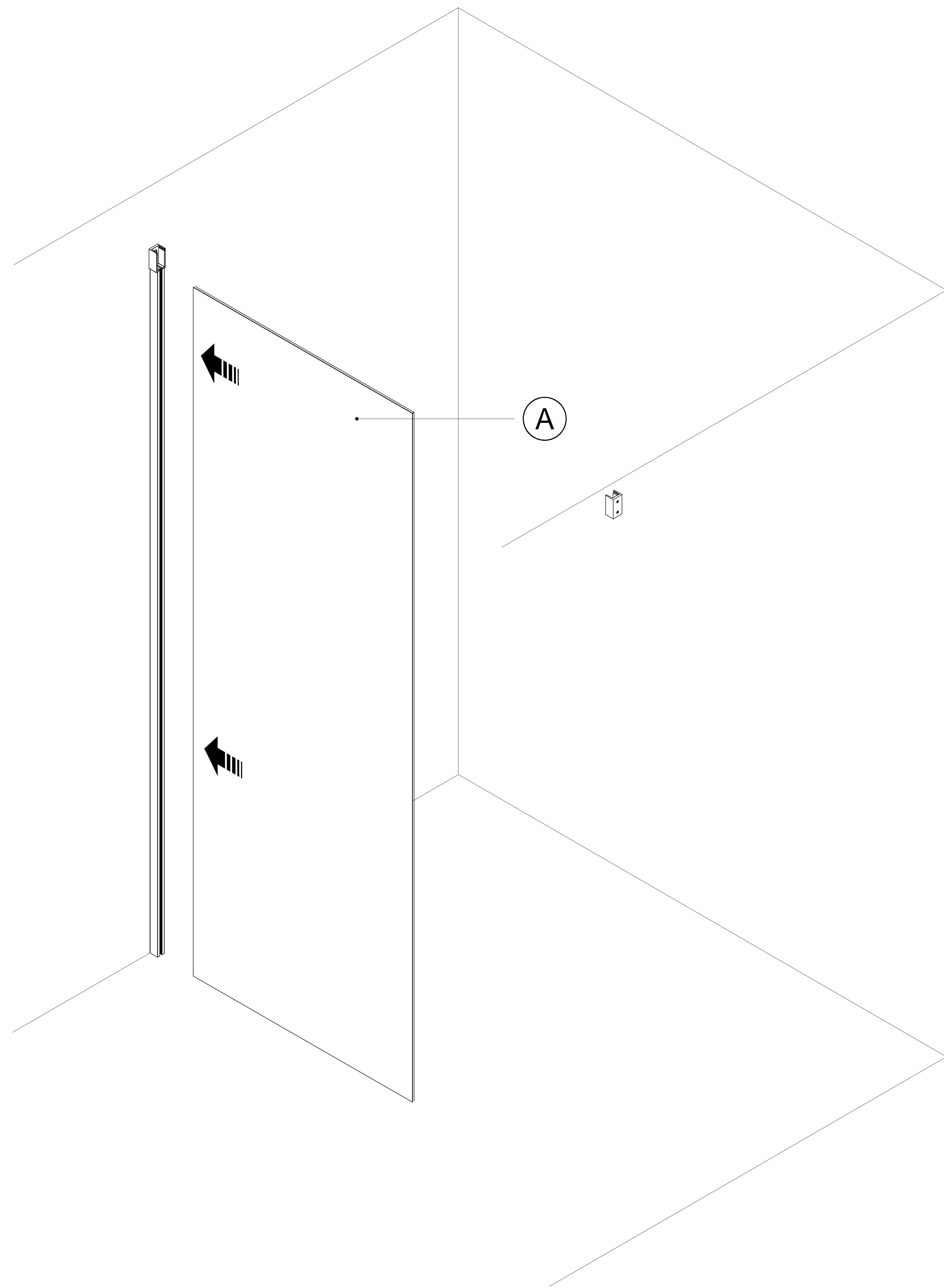


STEP- 6

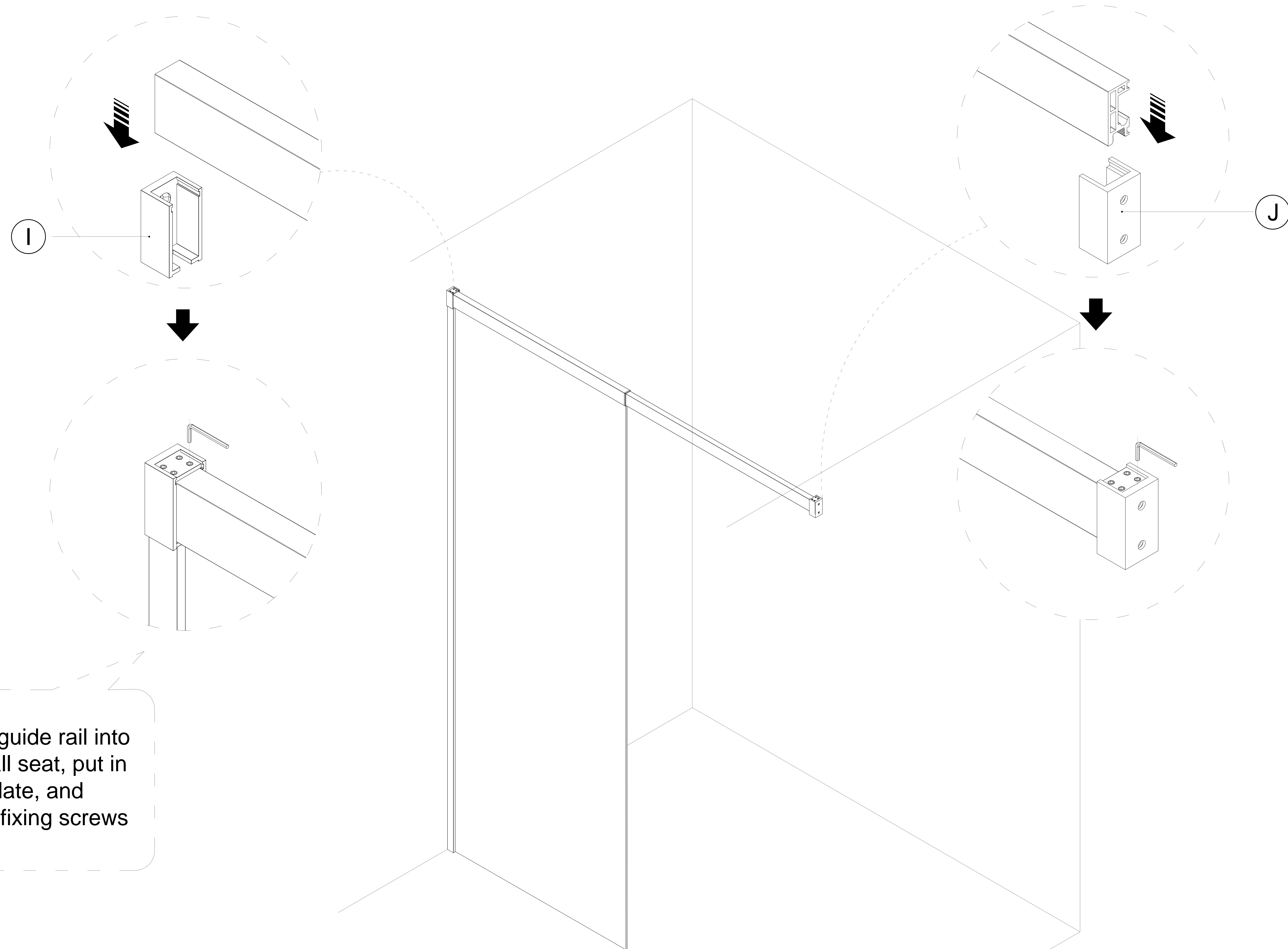


STEP- 7

Install the fixed glass and secure the rubber plug between the glass and the wall so that the glass does not shake.

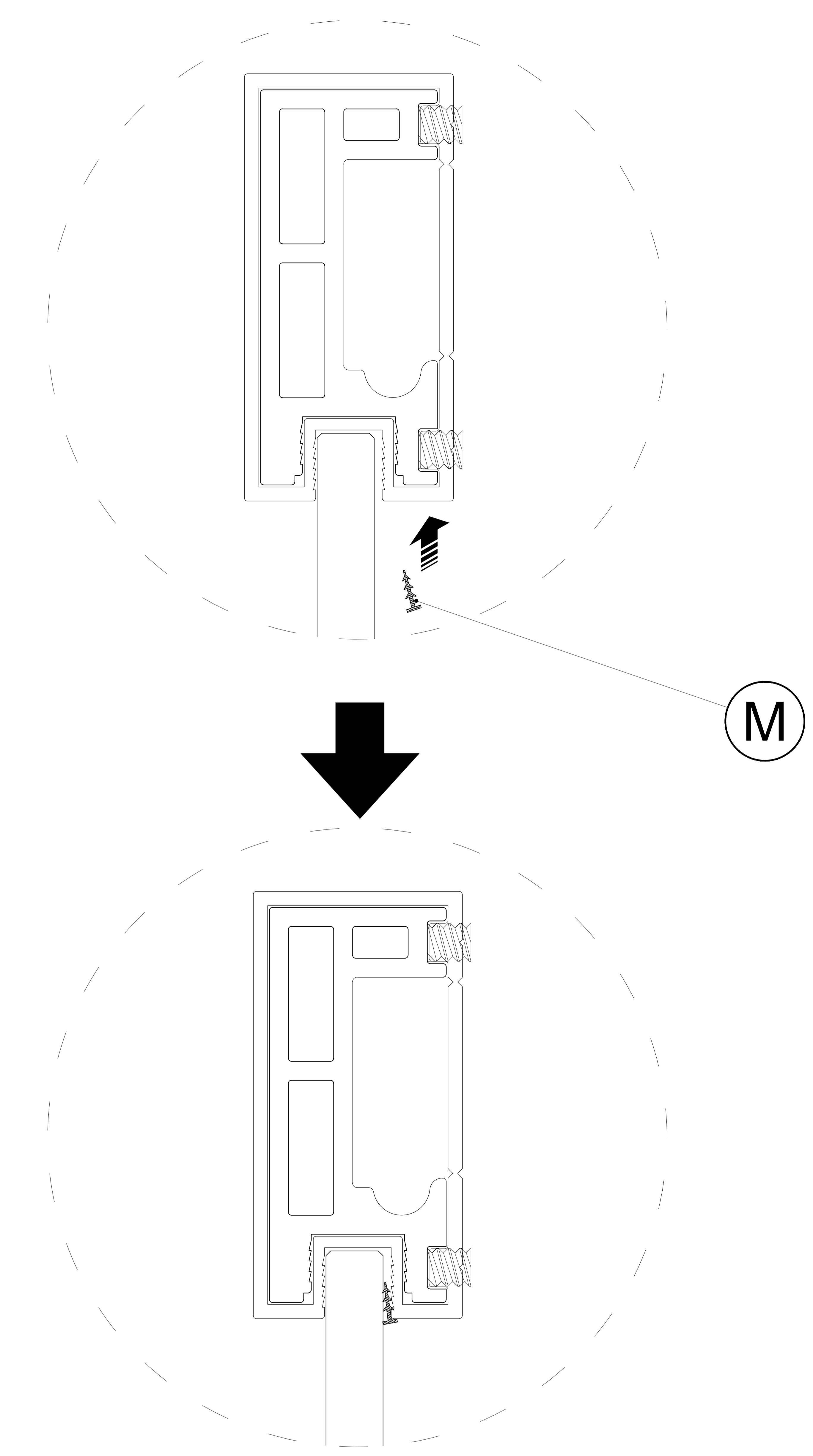
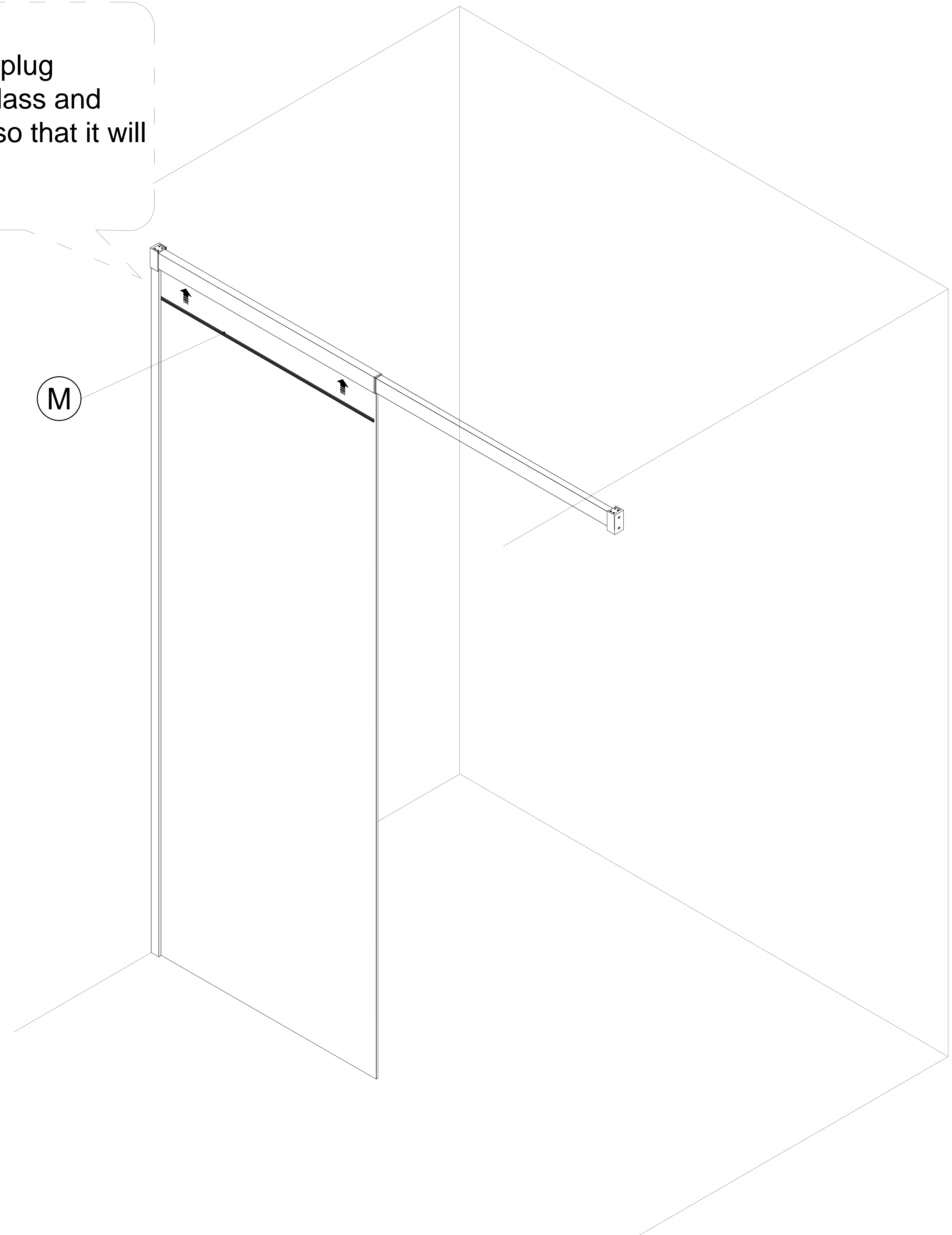


STEP- 8

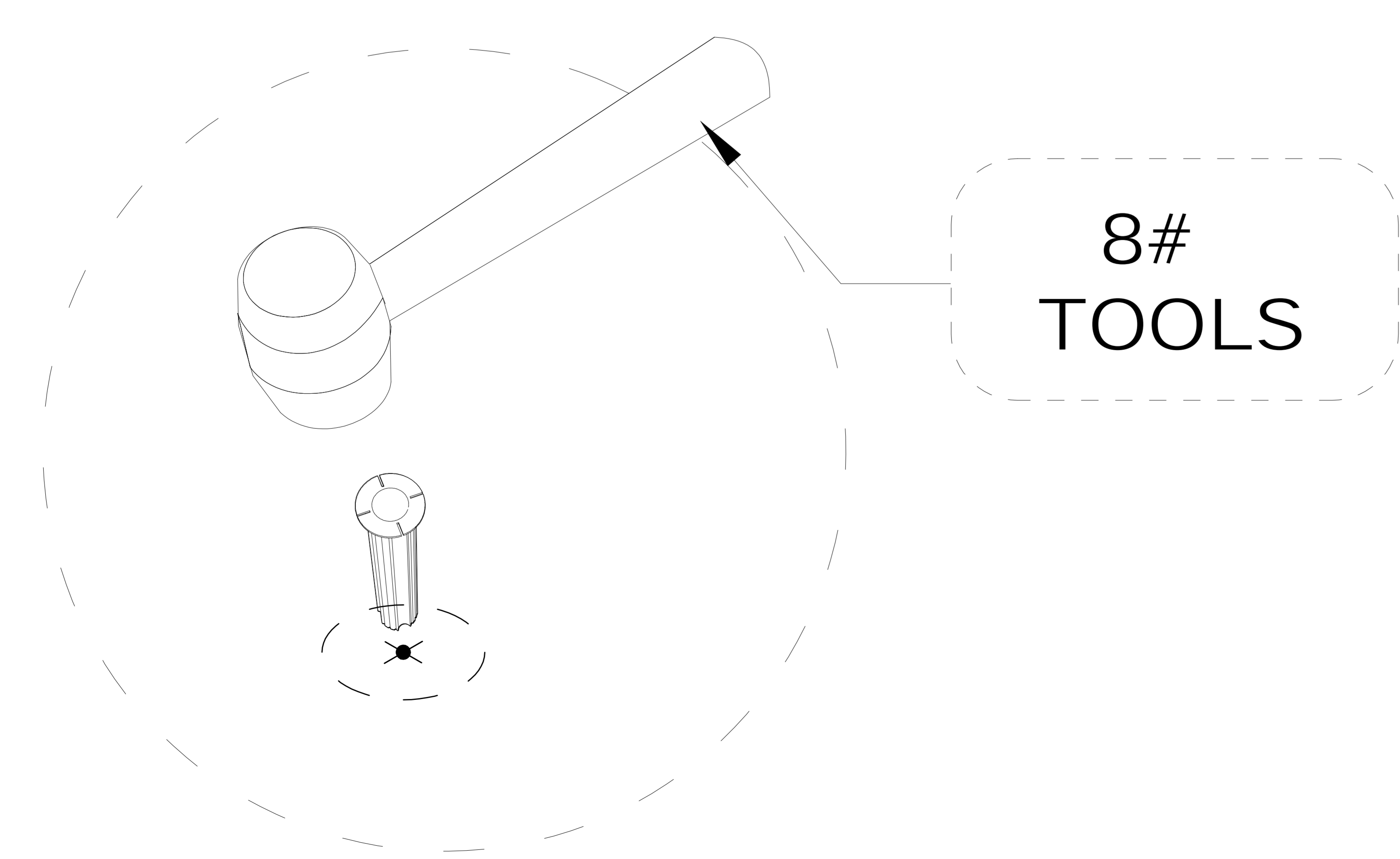
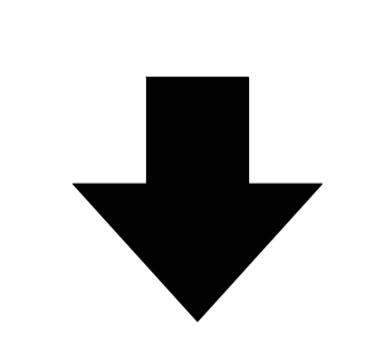
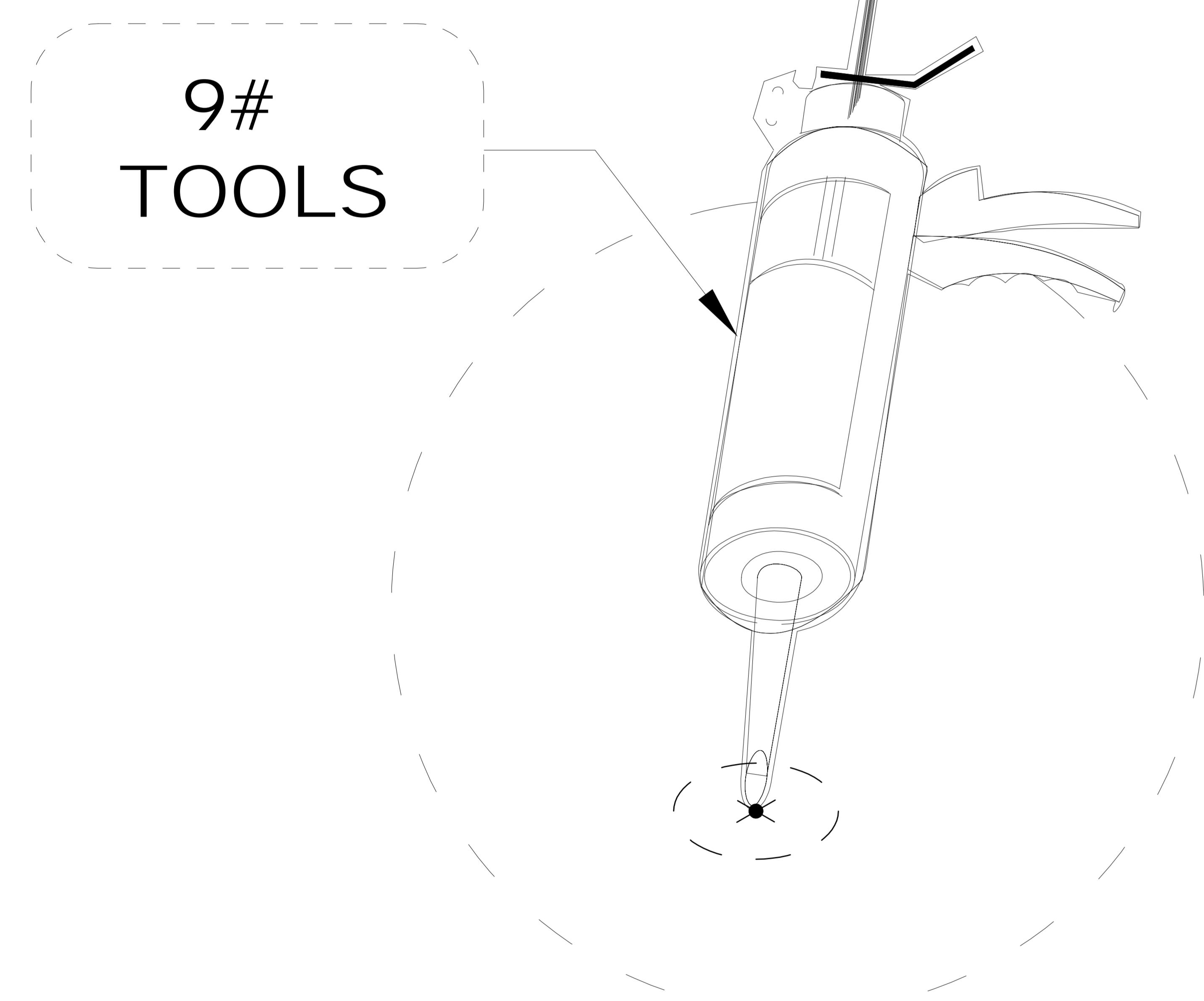
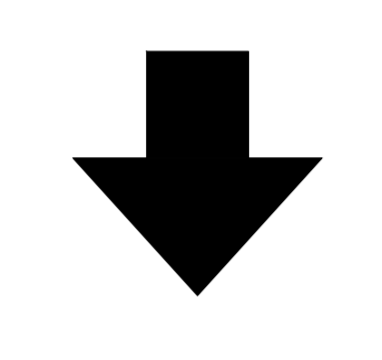
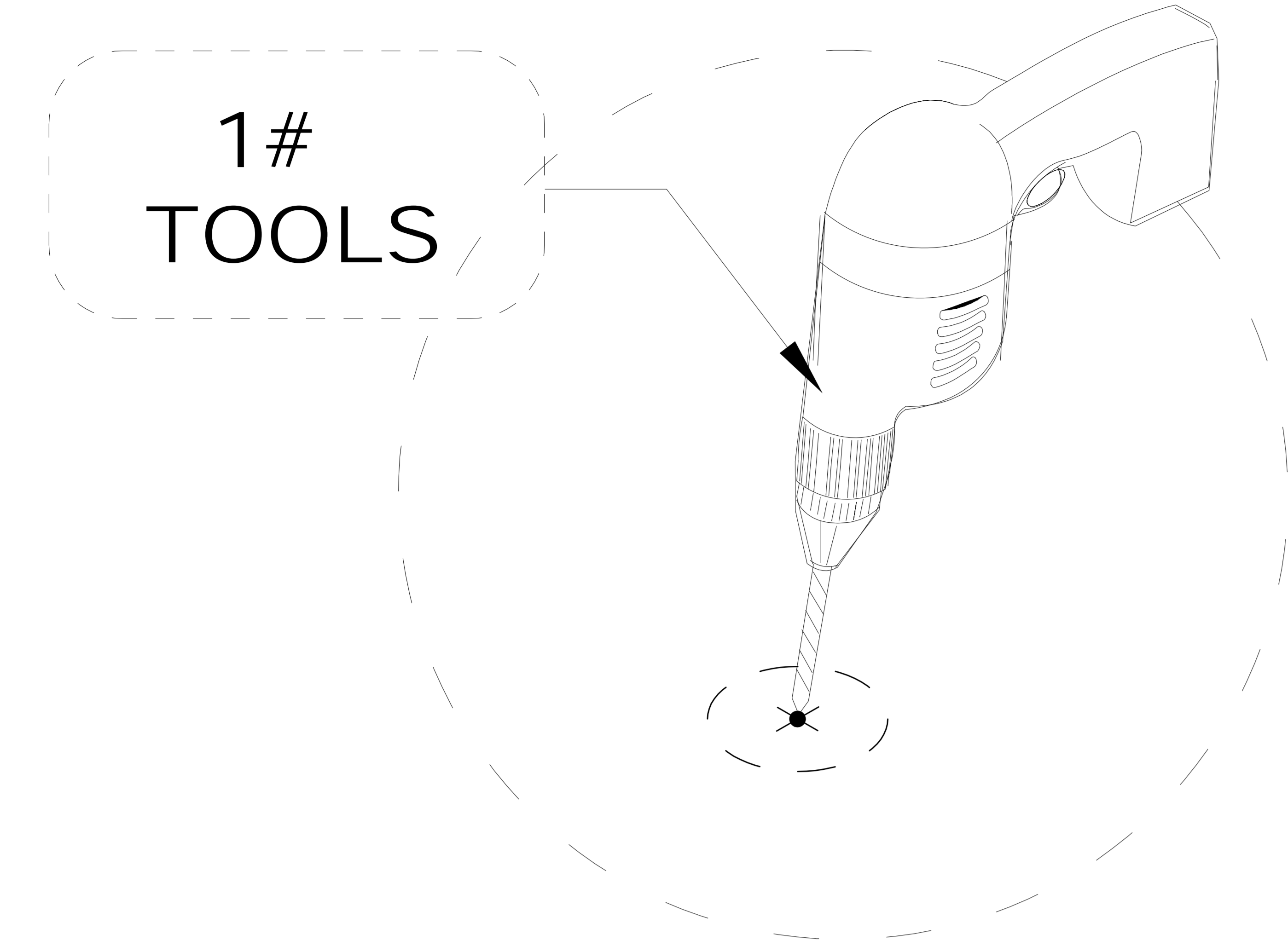


STEP- 9

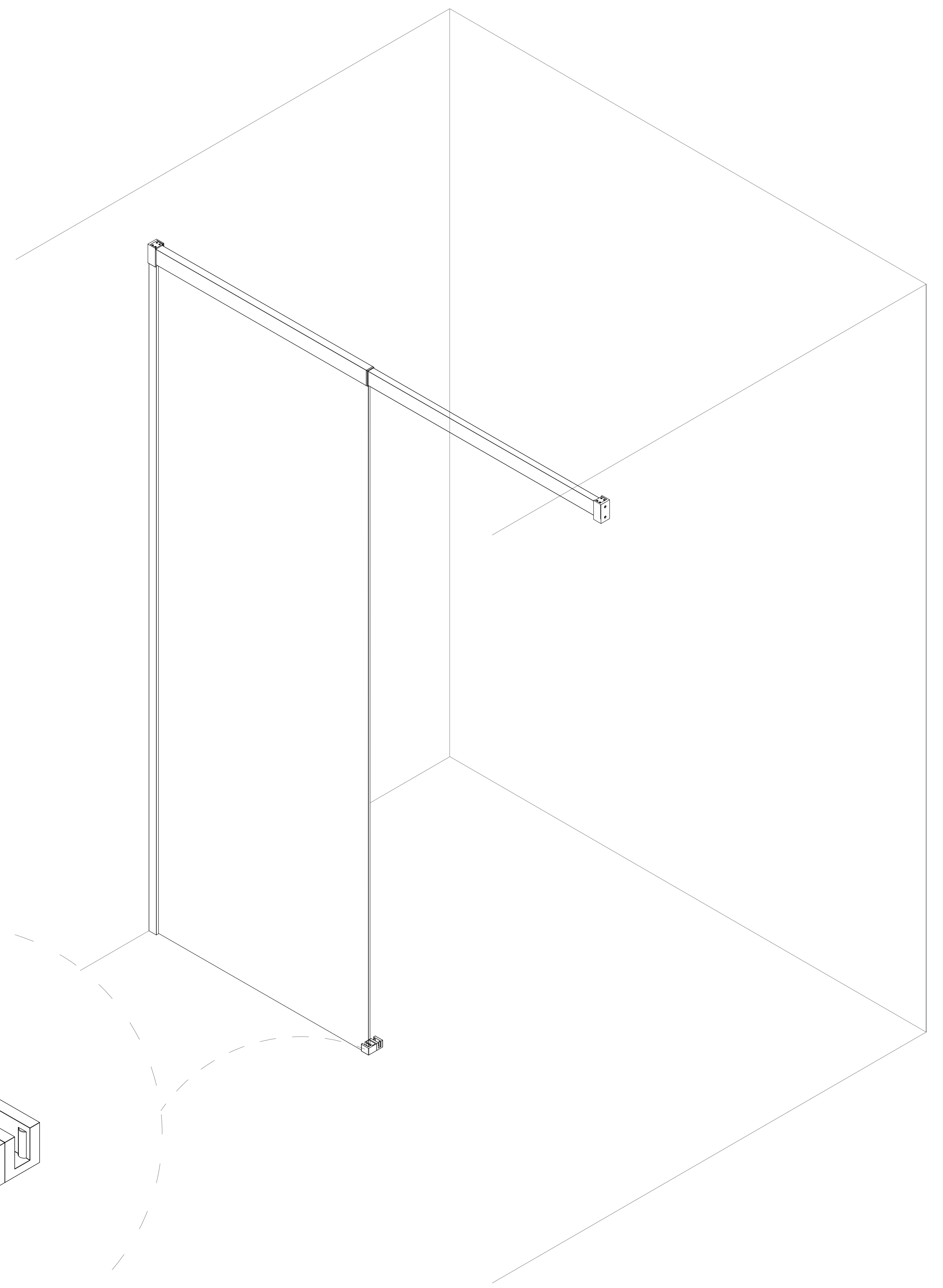
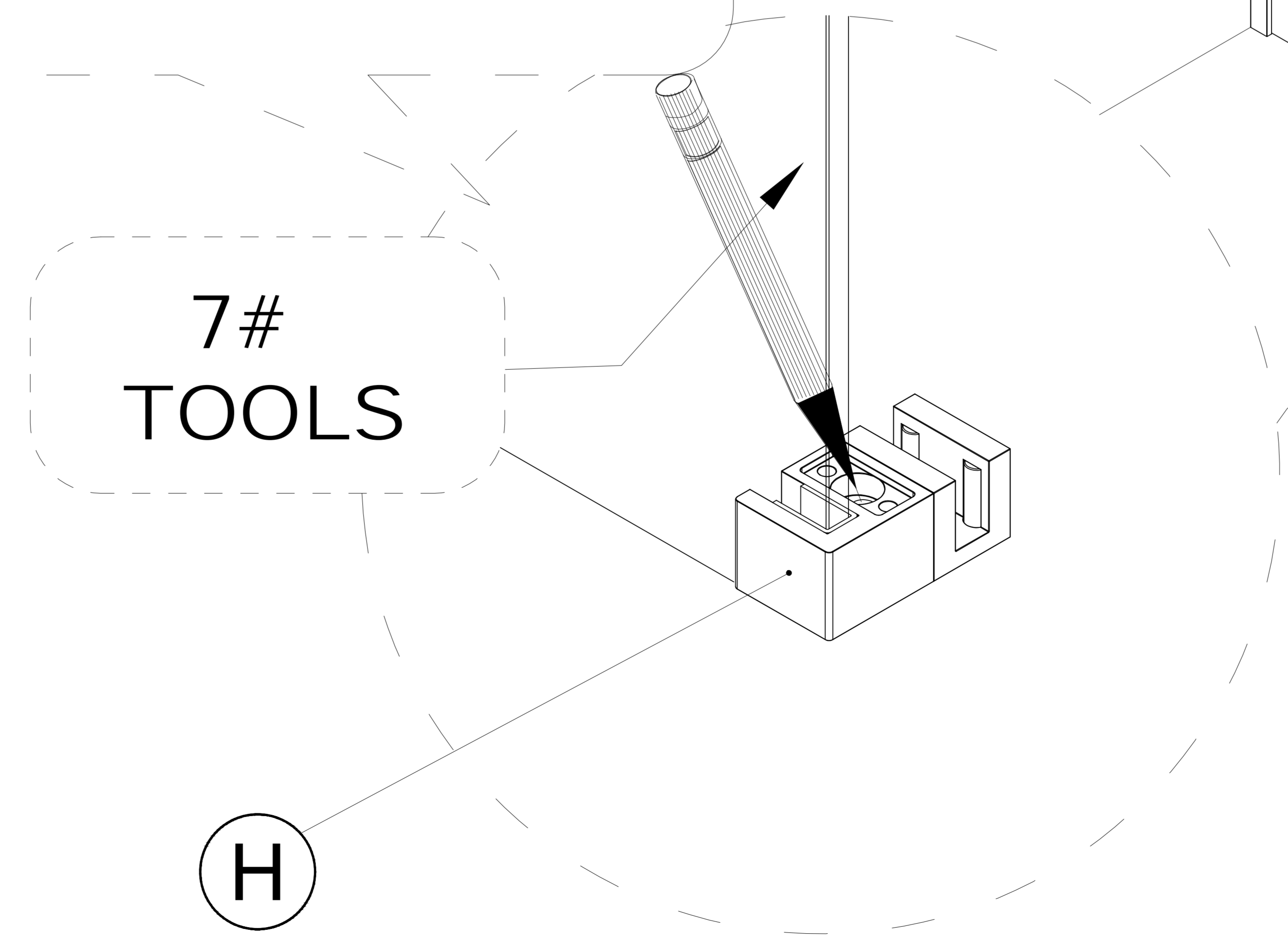
Fix the rubber plug between the glass and the upper rail so that it will not shake.



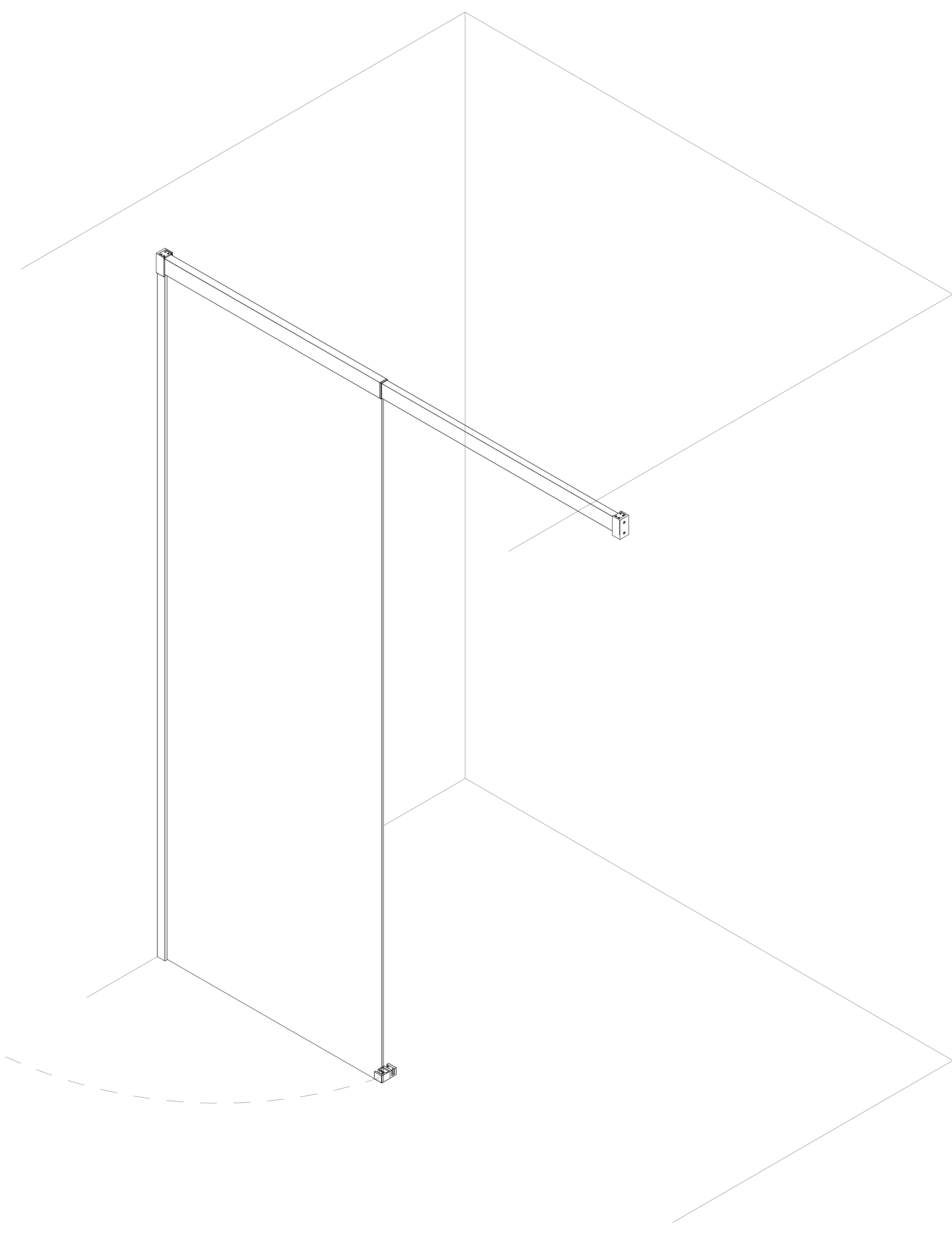
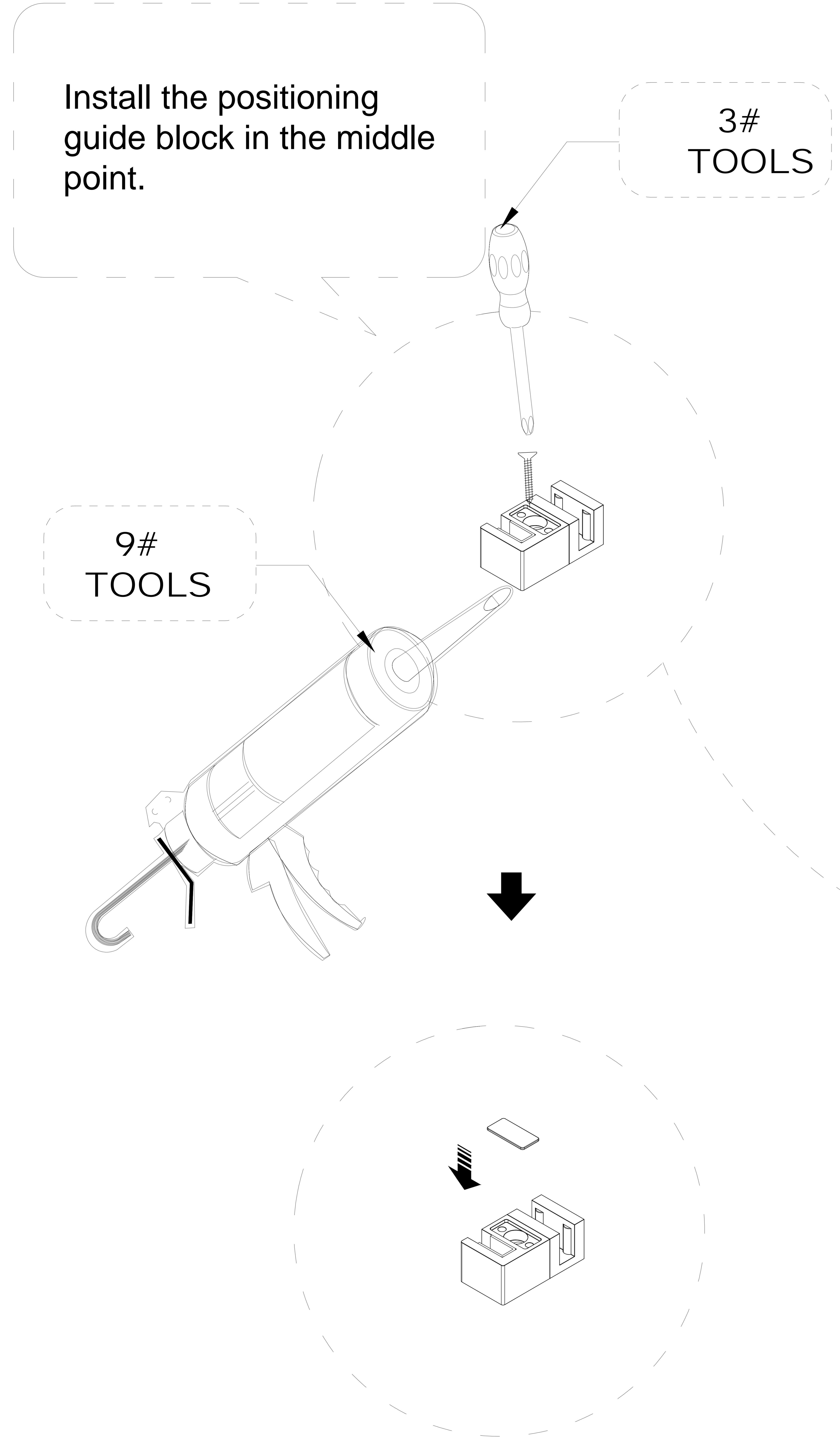
STEP-10



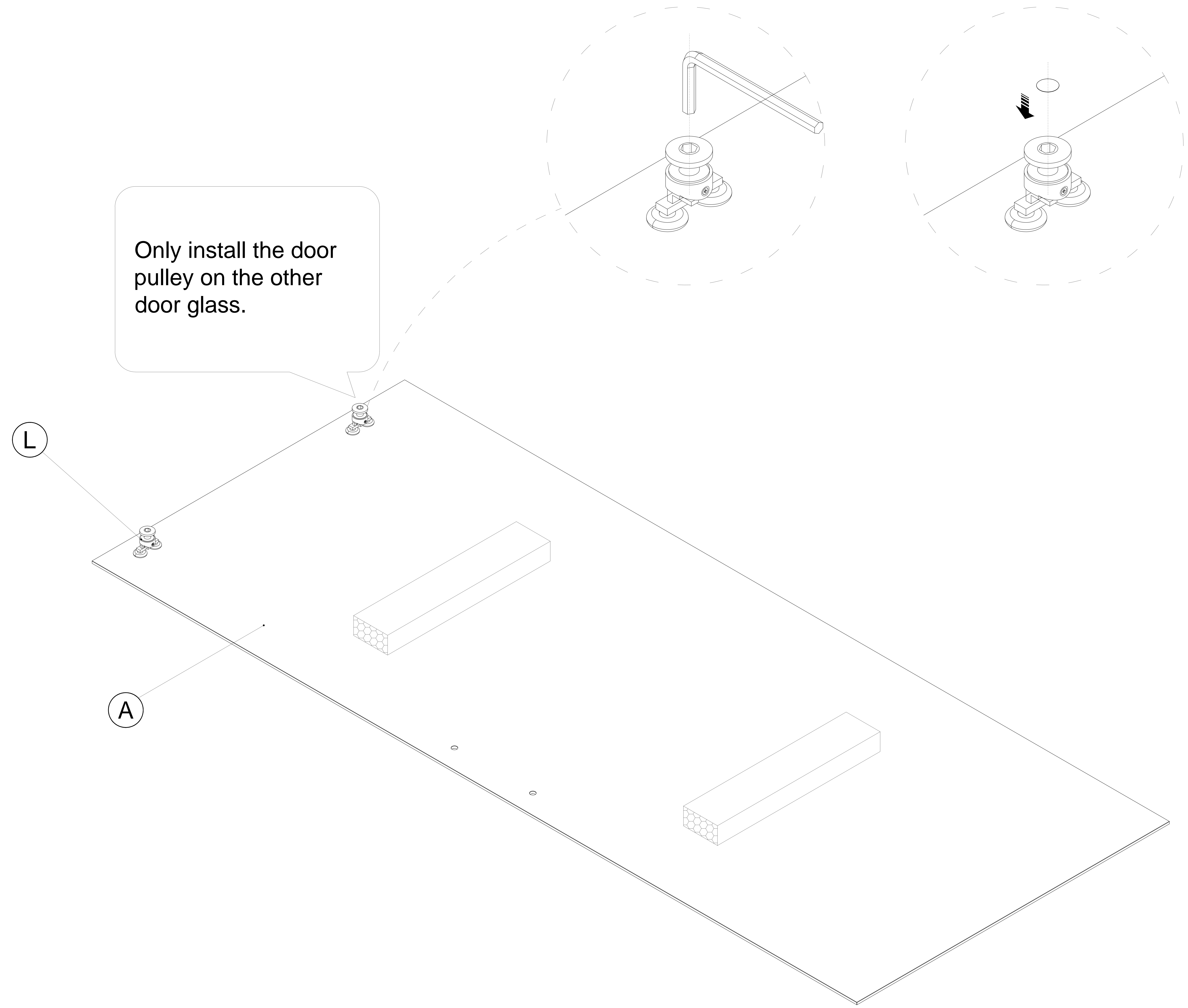
Place the guide block and
mark the center fixing
point



STEP-11



STEP-12



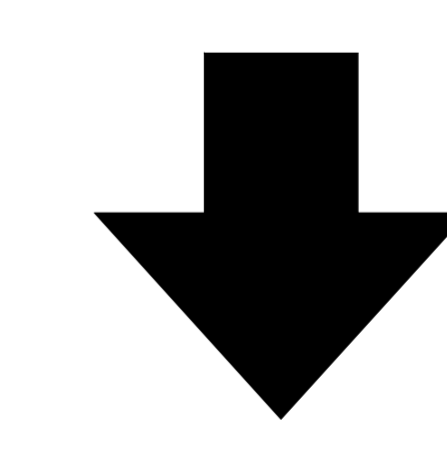
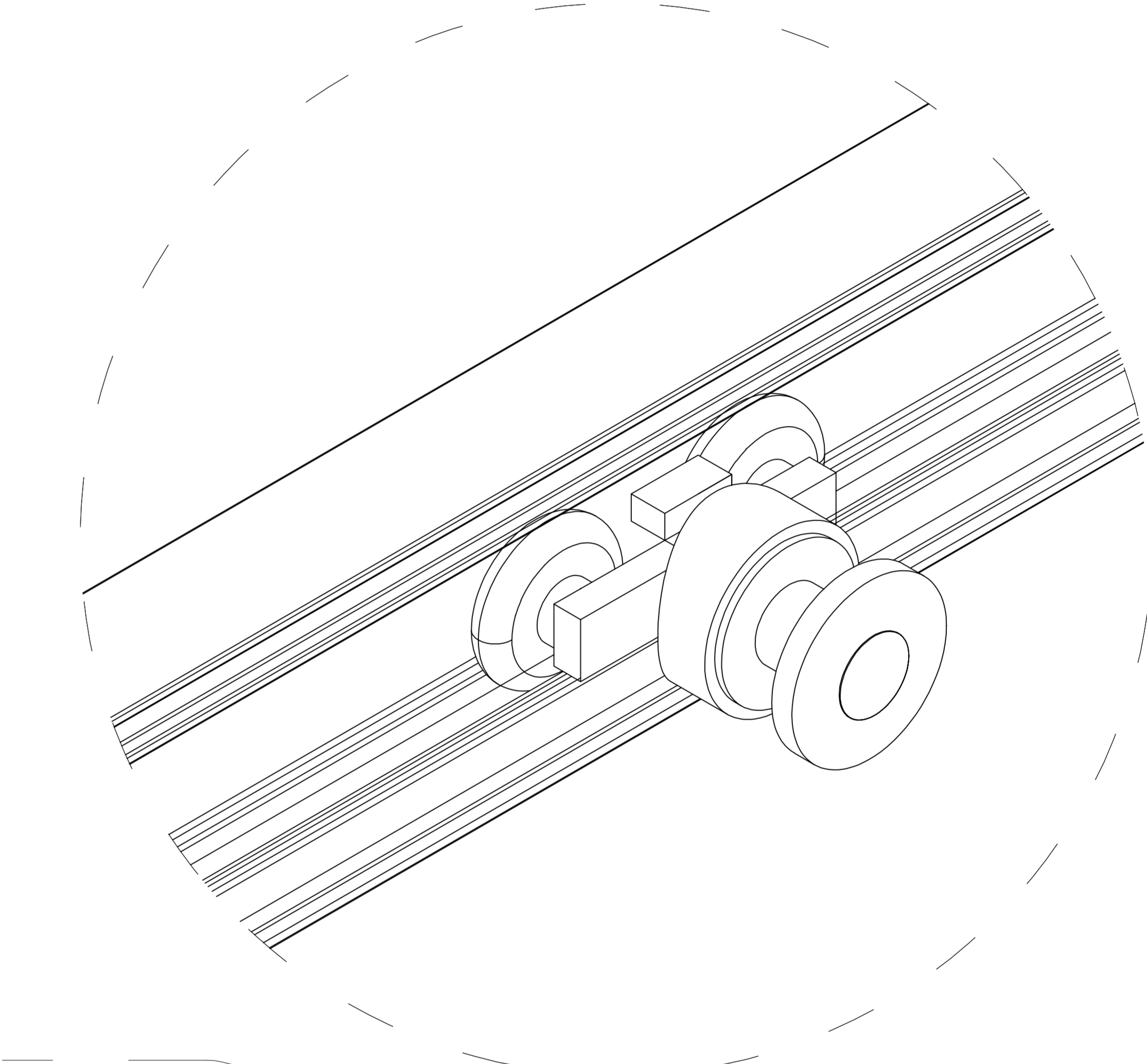
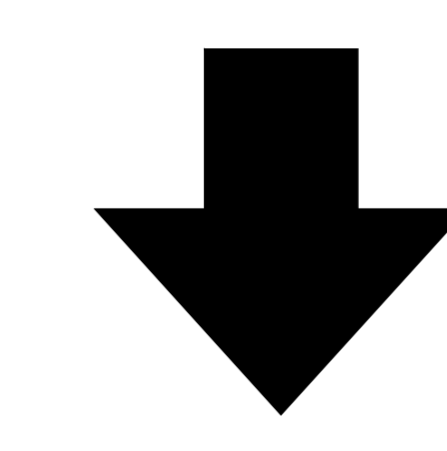
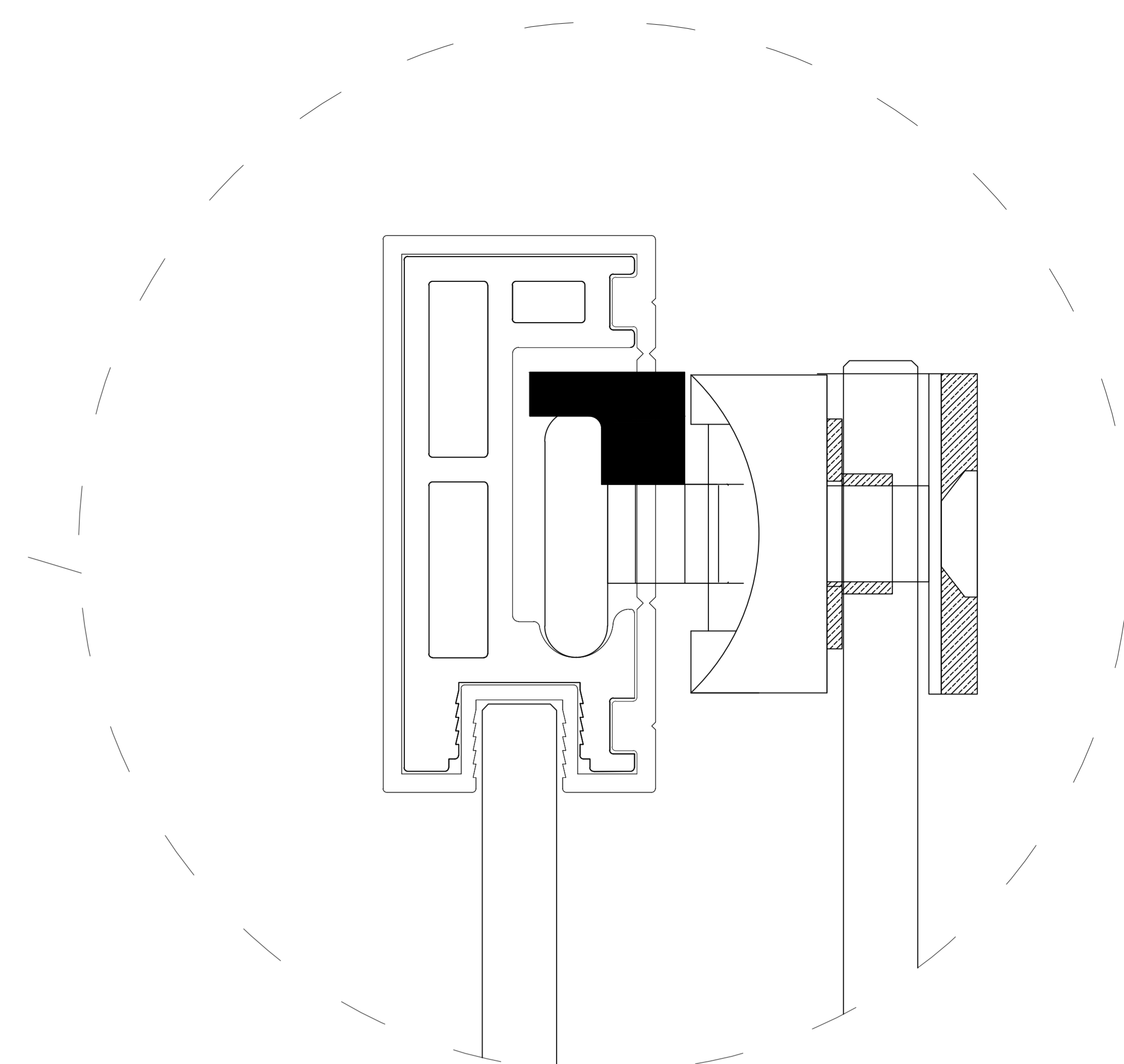
Only install the door pulley on the other door glass.

L

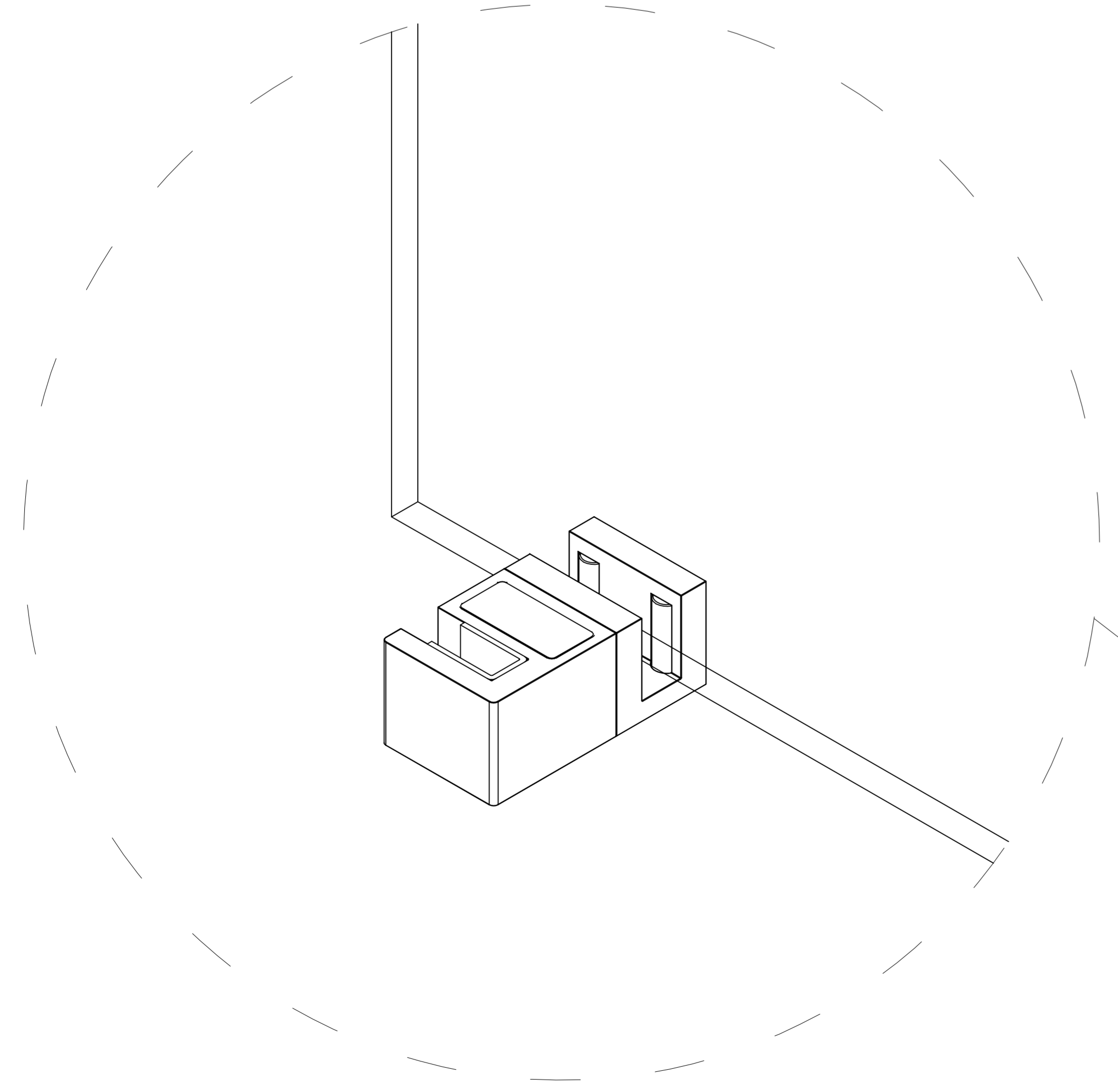
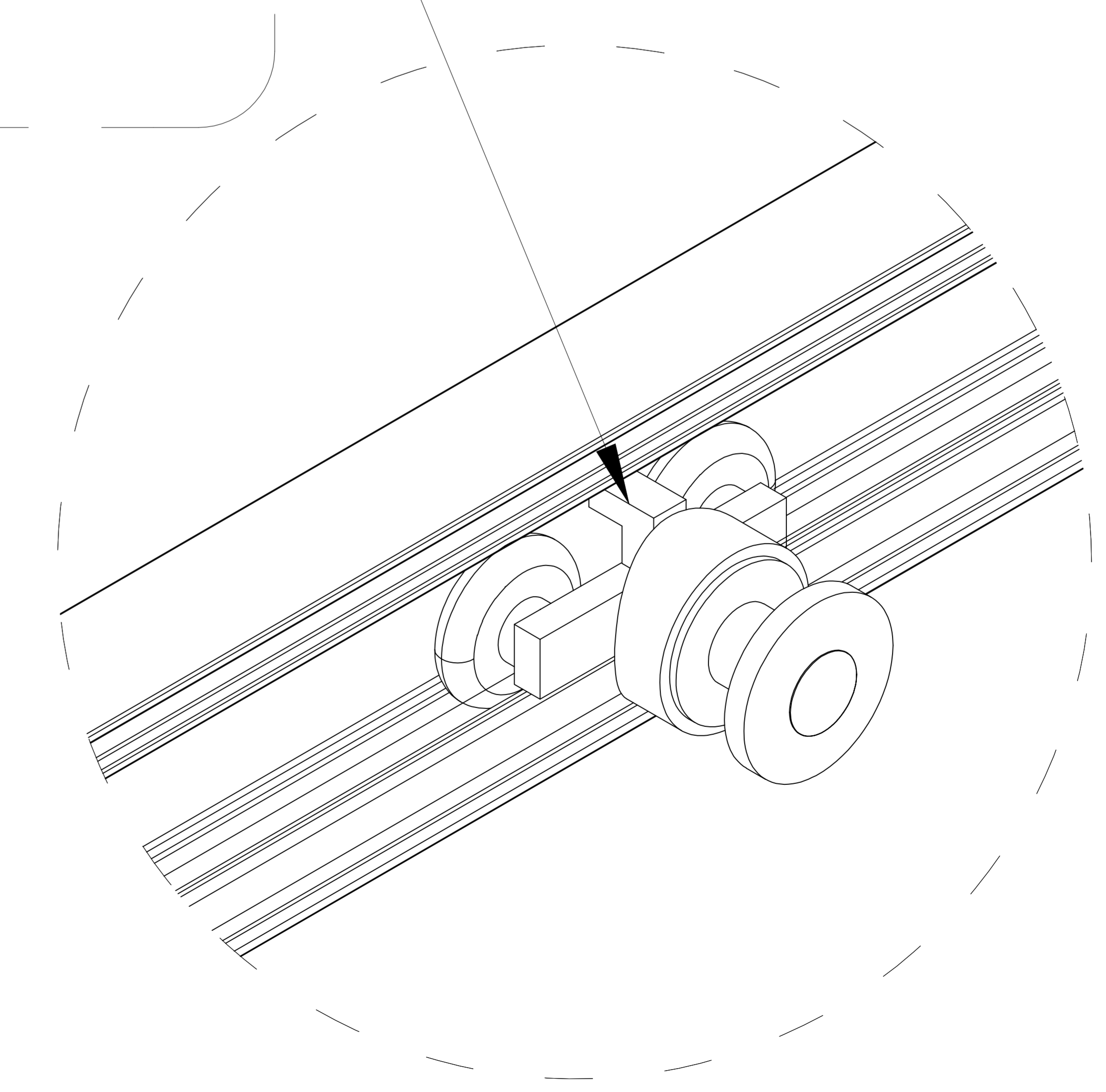
A

STEP-13

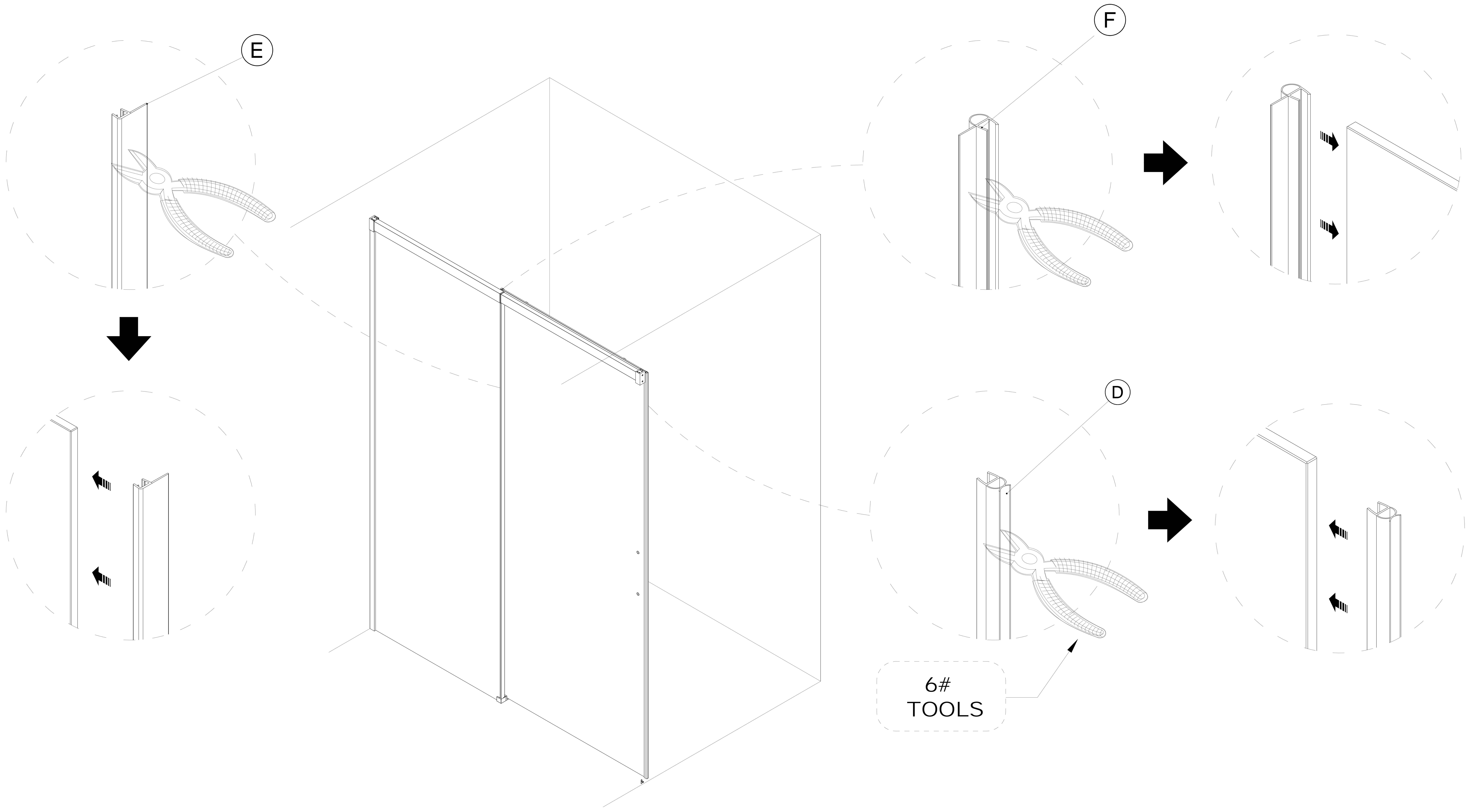
Install the movable glass on the upper guide rail according to the figure



Rotate the anti-trip key.

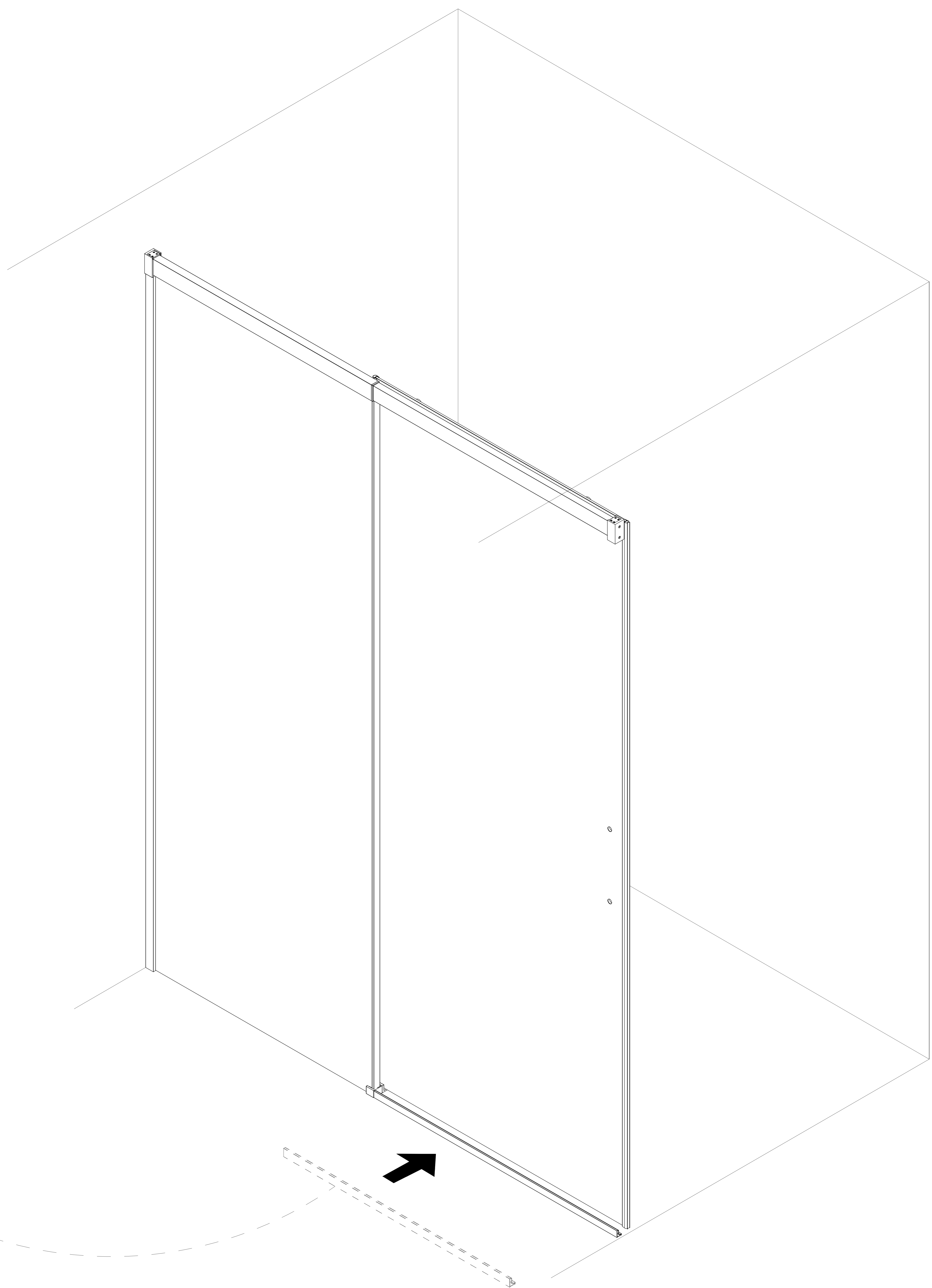
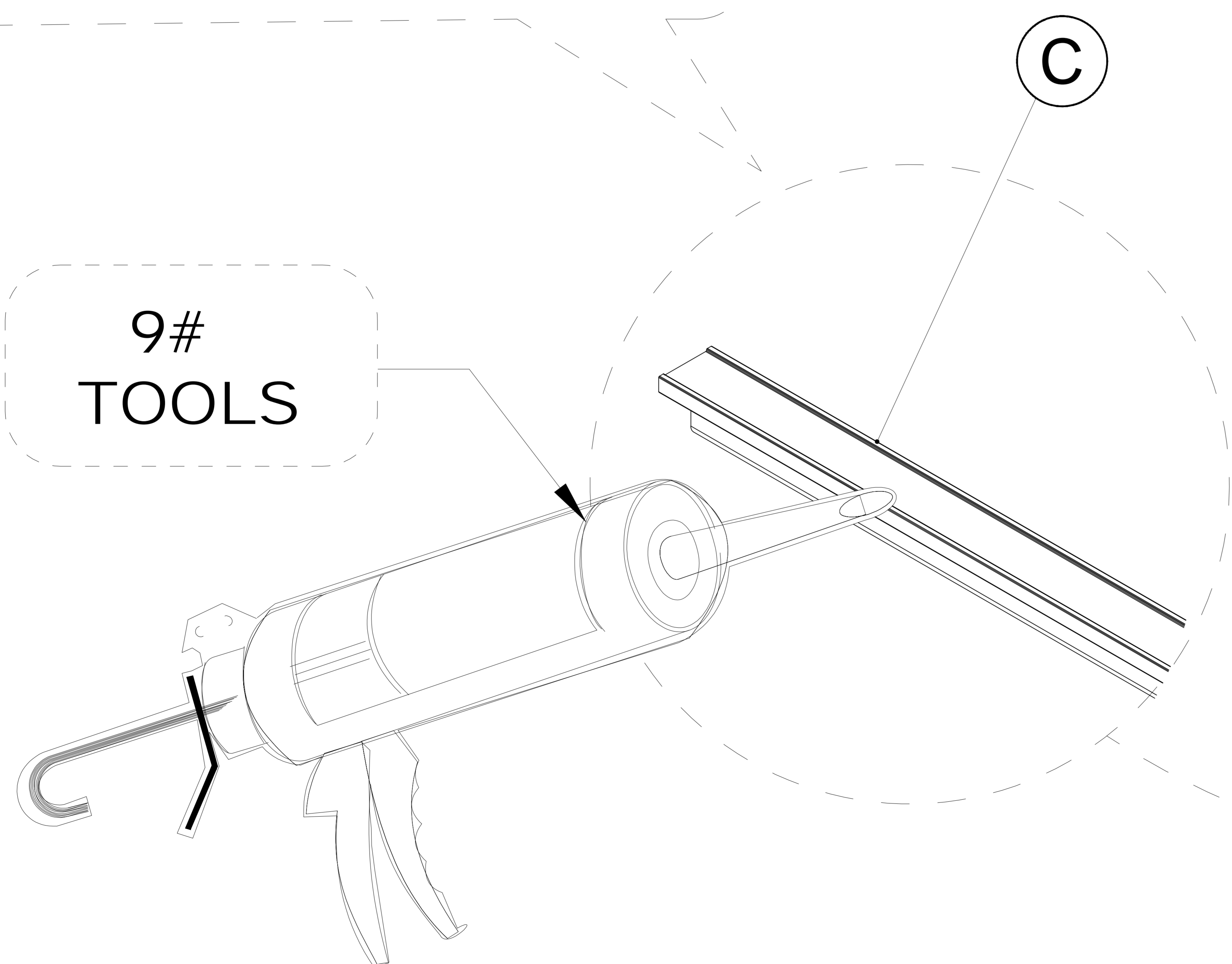


STEP-14

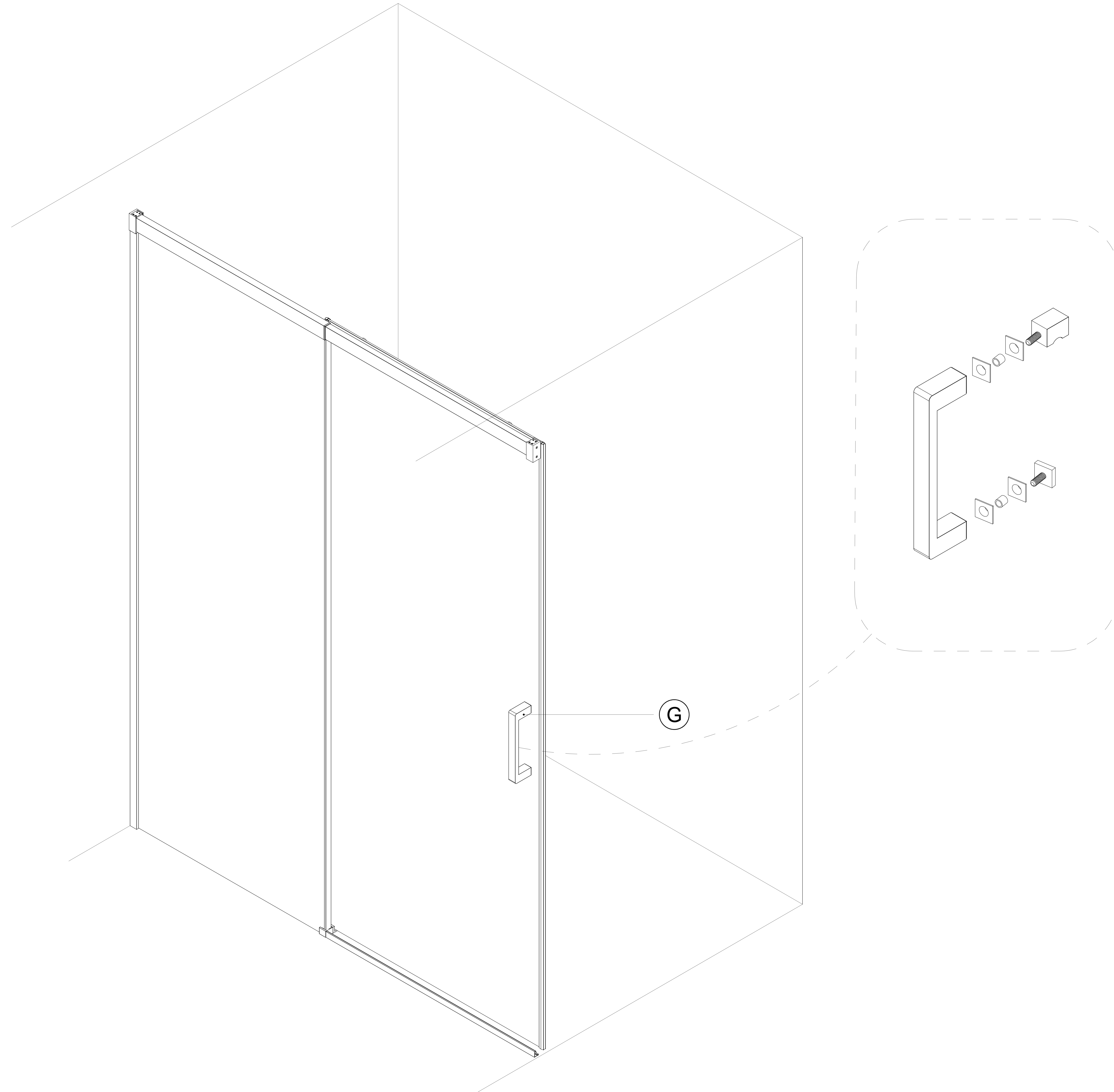


STEP-15

Apply glass glue to the bottom of the lower water blocking profile to make it fixed on the upper surface



STEP-16



STEP-17

By twisting the screw on the pulley, adjust the height of the two sides of the movable glass to make the movable glass level on the wall

4#
TOOLS

3#
TOOLS

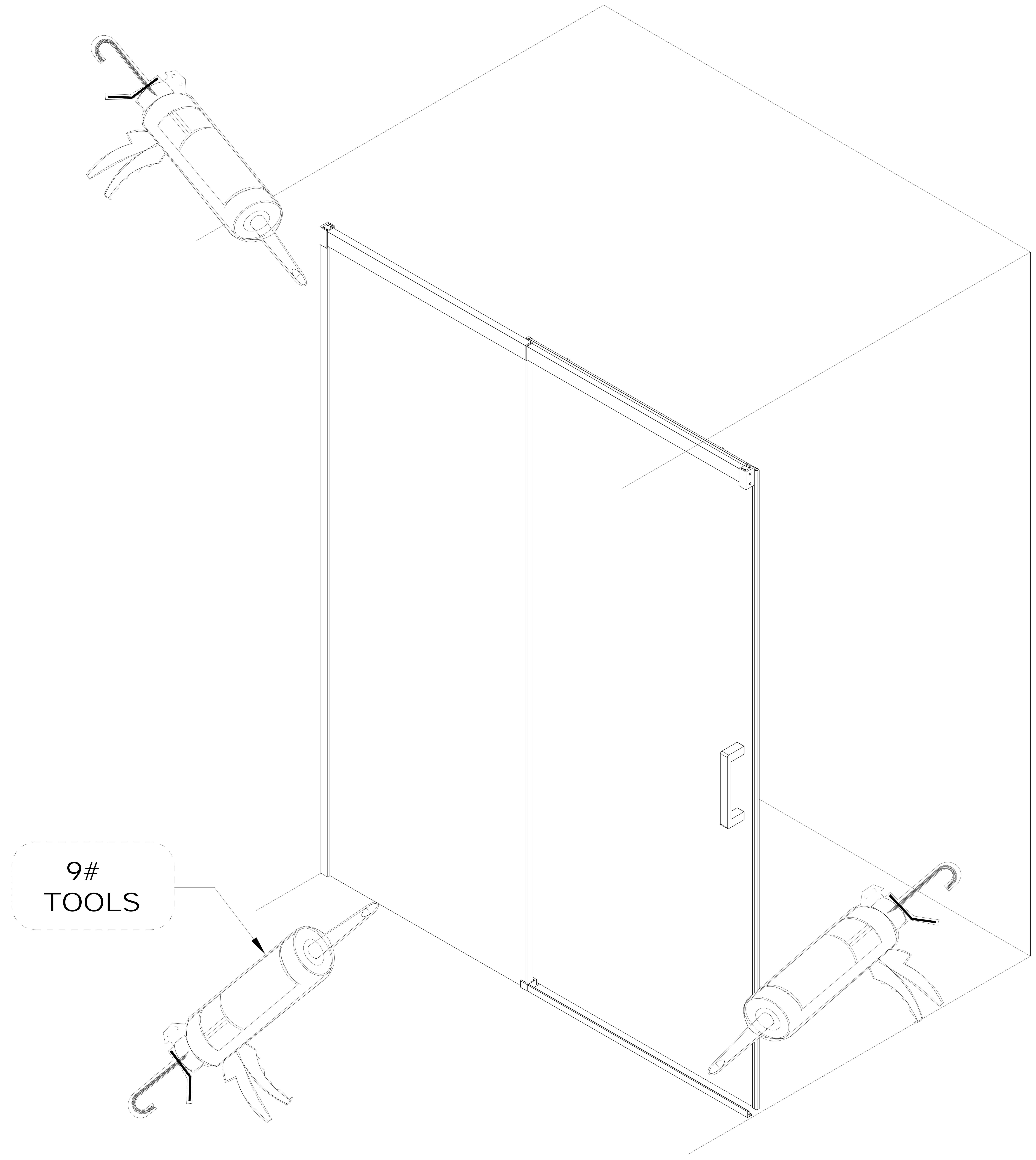
L

R

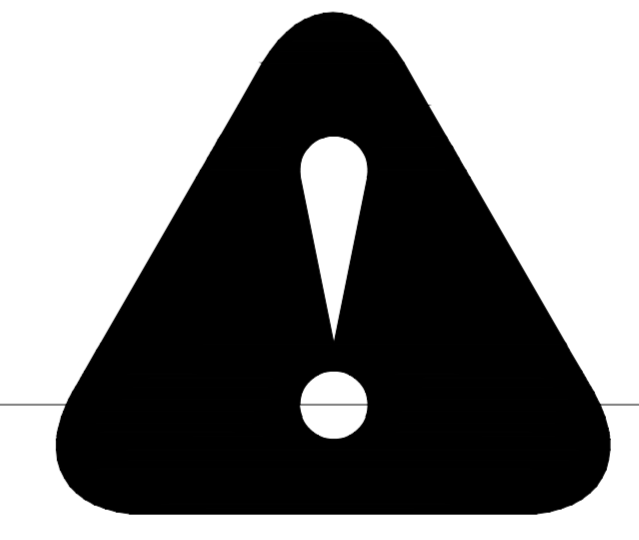
L

R

STEP-18



24 HOURS HEURES



ONLY SEAL THE OUTSIDE OF THE SHOWER. DO NOT APPLY SILICONE TO THE INSIDE OF THE SHOWER

SAFETY INFORMATION



CAUTION

Please carefully read the following important safety information before handling or installing this shower. There is a risk of serious injury while handling this product. To minimize these risks, please note:

- Always wear safety glasses and gloves while handling.
- Always read and follow all the steps in the installation instructions.
- Inspect all contents and glass for damage before installation.
- Extreme caution should be taken while handling the glass during installation as the tempered glass may shatter if in contact with a hard surface.
- Handle the tempered glass with caution! Improperly handling the glass can cause it to break suddenly in small pieces (never in pointed fragments).
- Always take all precautions not to touch the tempered glass with any tools during the installation, or after installed.
- Do not cut or modify the tempered glass as it will shatter if cut.
- Carefully remove product from packaging and keep packaging until installation is complete.
- Install the shower on a floor that is level and able to accommodate the weight of the unit and an occupant.
- Consult local building codes and compliance standards prior to installation and ensure conformity.
- After installation, and from time to time, check the glass for fit and finish to ensure that nothing has come loose since installation.
- Keep this installation manual for future reference.

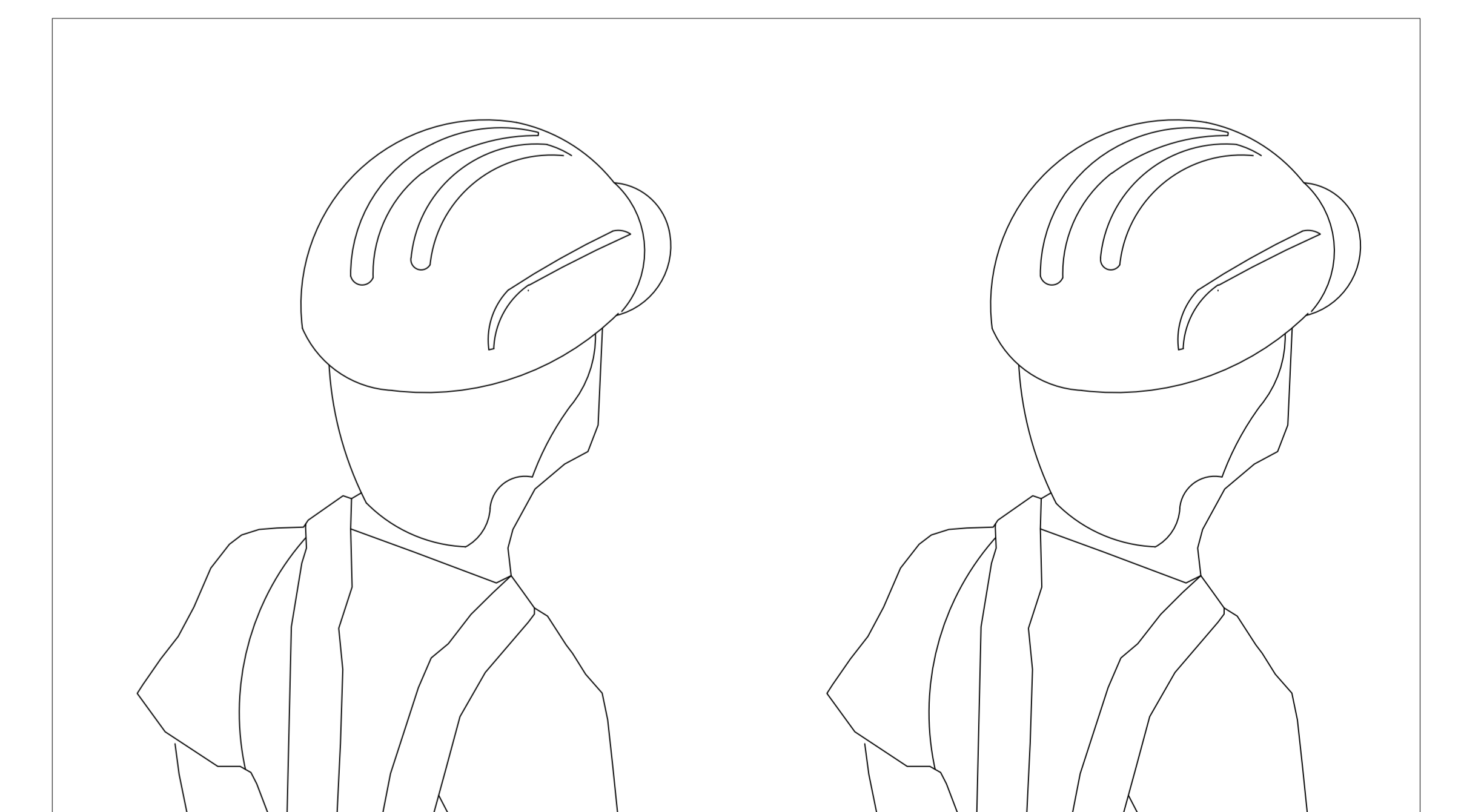


NOTICE

- Any modification or alteration from what is specified in this instruction manual will void any and all warranty on this product.
- We will not be responsible for any damage to the unit or personal property caused by improper installation. If you disregard instructional warnings, you will void your warranty and possibly deal with water damage.

PREPARATION

You will need at least two people to install this unit properly.



Before beginning assembly of product, make sure all parts are present. Compare parts with package contents list and hardware contents list. If any part is missing or damaged, do not attempt to assemble the product.

Estimated Assembly Time: Shower (60 min).