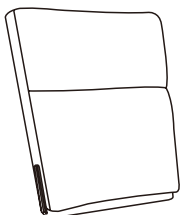
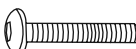
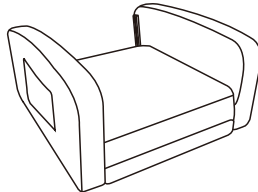

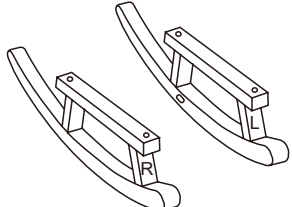


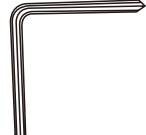


# ASSEMBLY INSTRUCTION

Ax1 	Fx4 
Bx1 	Gx4 
Cx2 	Hx2 
Dx1 	Ix1 
Ex2 