












Assembly Instructions

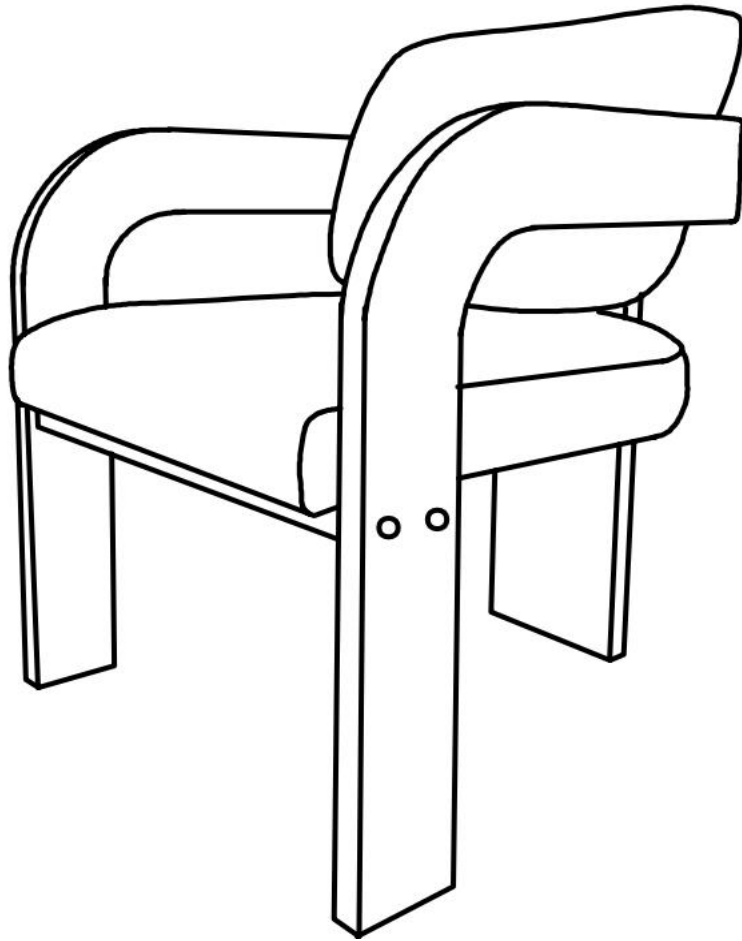
Caution : You must read this before you proceed

Care & Maintenance



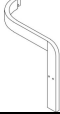
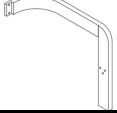

- ⊘  ● Not for commercial use. For residential use only.
- ✓  ● Furniture may scratch floors. We recommend using furniture pads to protect your floors.
- ⊘  ● Do not put hot items directly on furniture surface.
- ⊘  ● Do not clean furniture with harsh cleansers or polish.
- ⊘  ● Do not place furniture under direct sunlight.
- ⊘  ● Do not place furniture near heating or cooling vents.
- ⊘  ● Do not write on furniture without a padded barrier to protect the surface.
- ⊘  ● Do not place furniture outside . For indoor use only.
- ⊘  ● Stains may be removed with mild soap solution and damp cloth.
- ⊘  ● Children should not climb or jump on the furniture.
- ✓  ● Dust and pick-up spills using a clean, non-colored, lint-free cloth.

Please look in Leg for hardware pack.

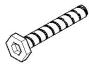
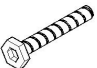





CHAIR



Parts List

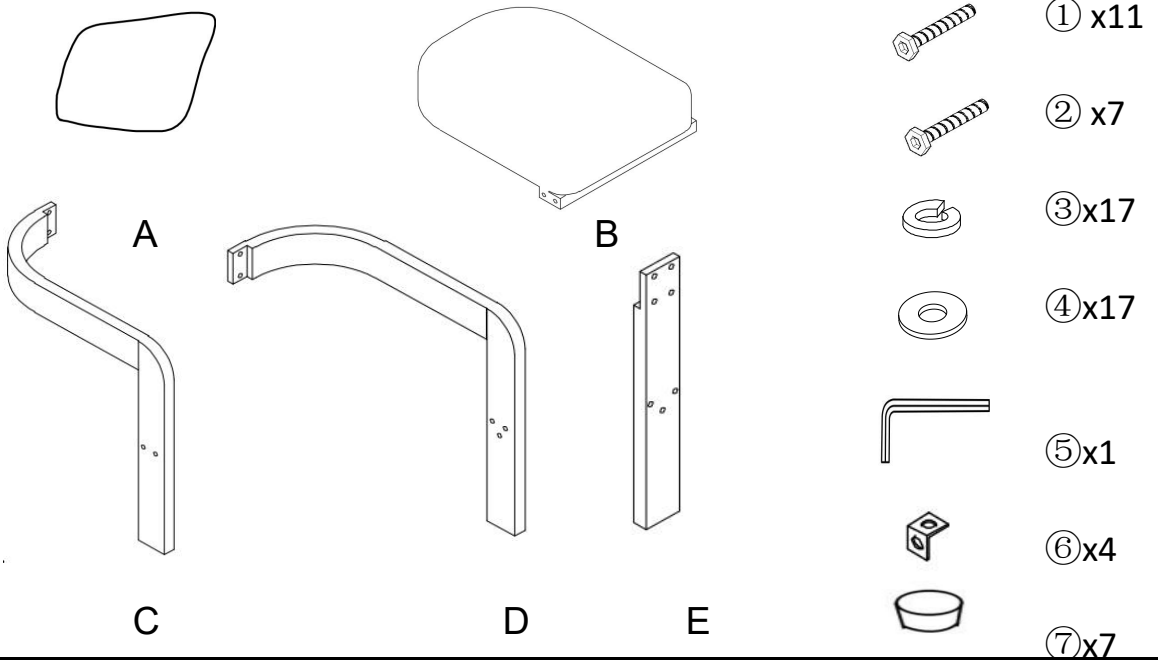
Label	Picture	Description	QTY
A		Pillow	1
B		Seat	1
C		Left leg	1
D		Right leg	1
E		Back leg	1

Hardware

Label	Picture	Description	QTY
①		Bolt (M6*20MM)	11
②		Bolt (M6*40MM)	7
③		Spring Washer (M6)	17
④		Washer (M6)	17
⑤		Allen Wrench (M6)	1
⑥		Angel Iron	4
⑦		Plastic Cap	7

Assembly Preparation

Before Beginning Assembly:



- Read instructions, cover to cover-



- Have 2 adults on hand for assembly-



- Do not assemble on flooring or carpet-



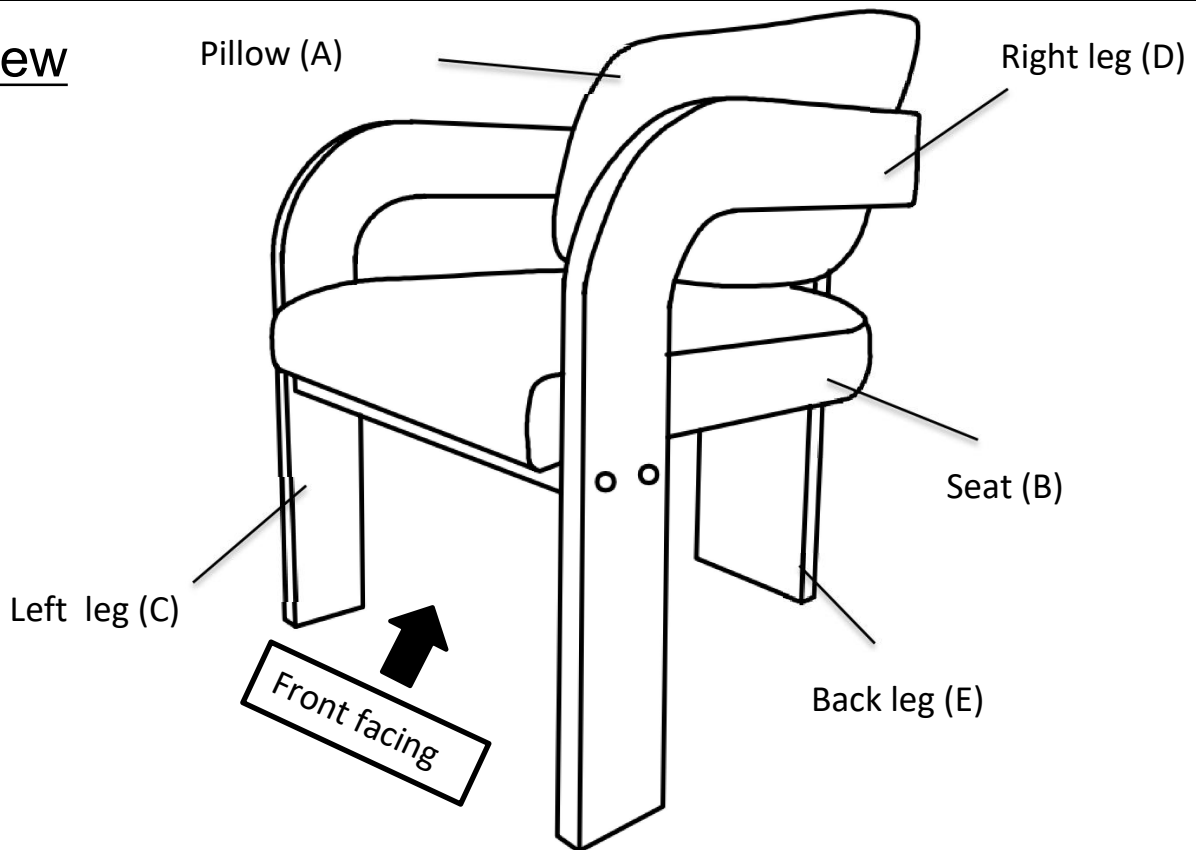
- Assemble on a clean non-marring surface (packing foam)-



- Save all packaging until finished-

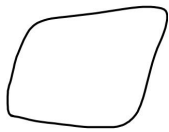
Assembly Steps

Overview

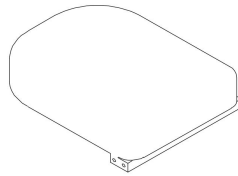


This Chair has multiple parts and may require up to 30 minutes to assemble. To give you an overview of the Chair parts, the above picture is to help you put the various parts into perspective. Please read through the instructions below to familiarise yourself with the parts and steps before assembly.

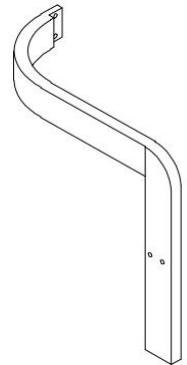
Step 1



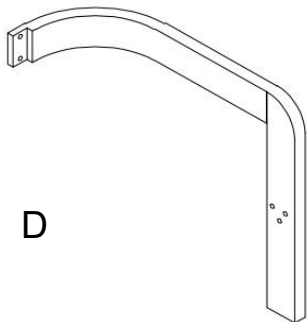
A



B



C



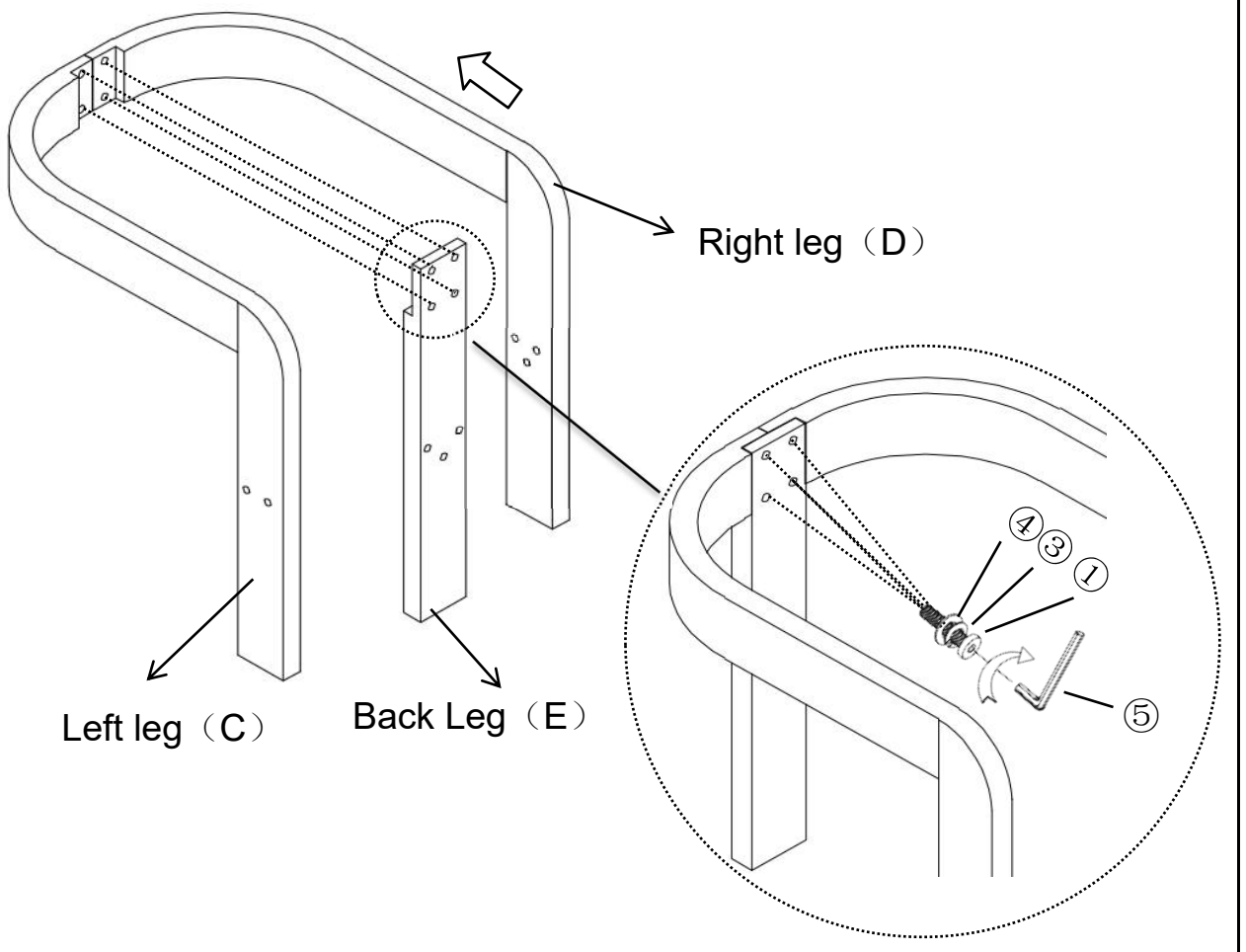
D



E

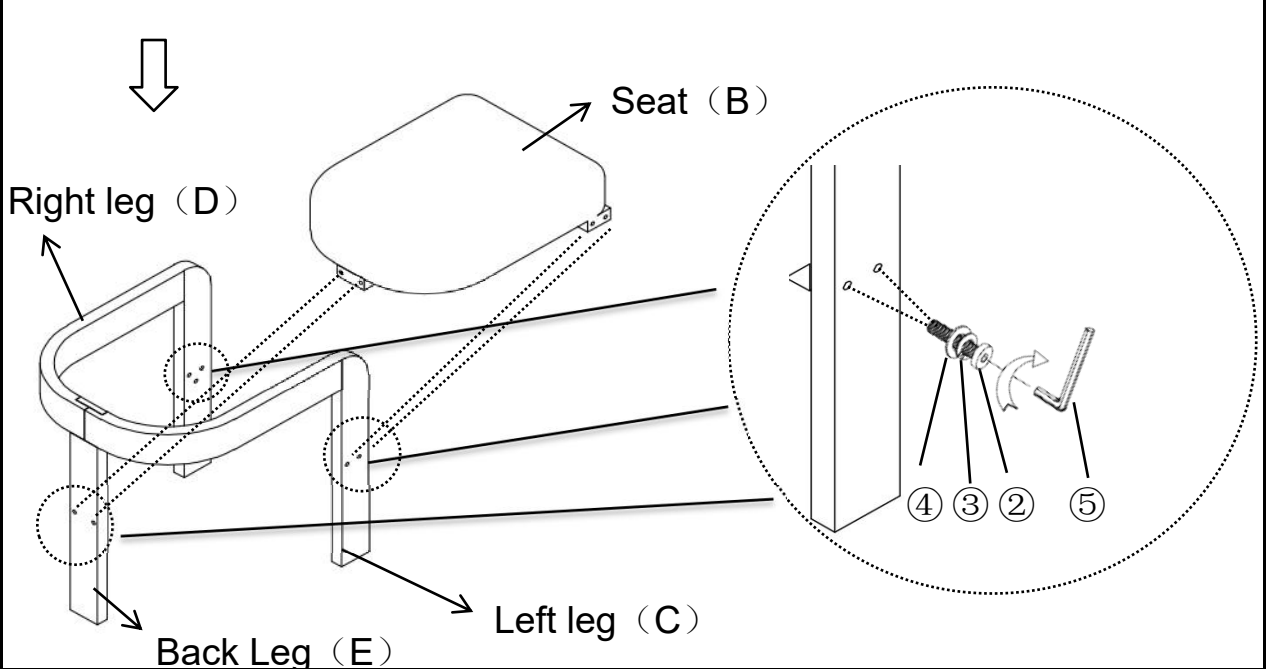
Unpack and place all the parts on a clean, non-marring surface.

Step 2



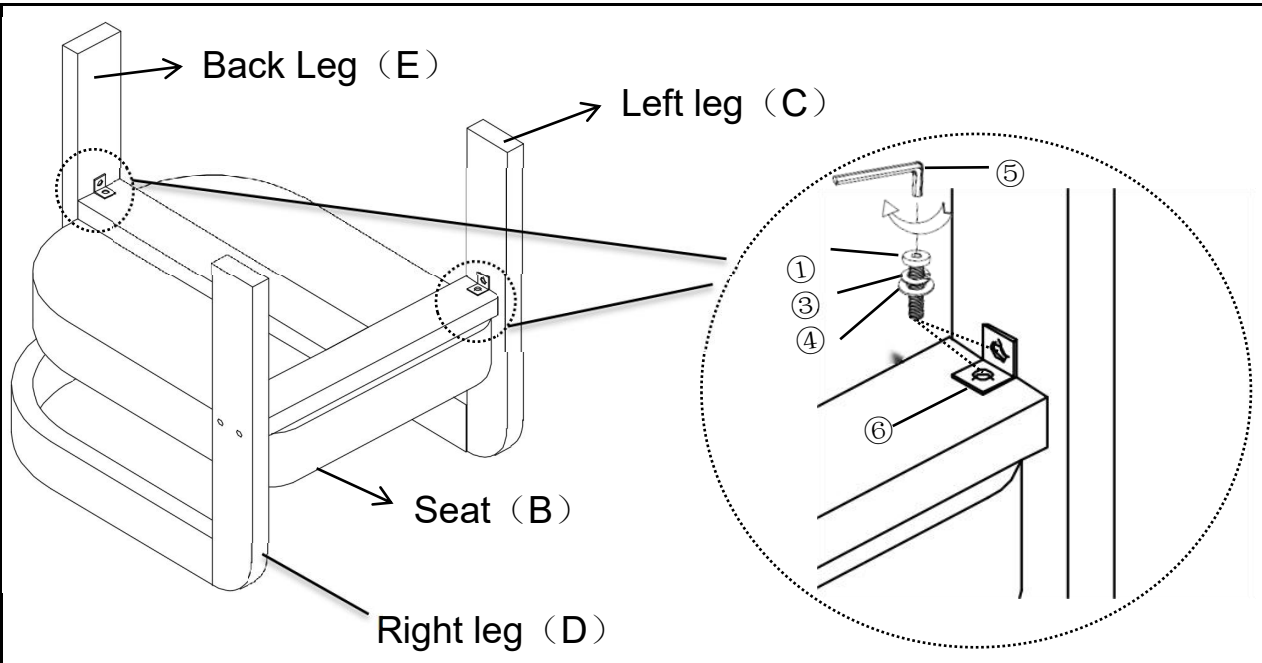
Attach the Back Leg(E) into the mounting positions of the Legs(C+D) using Bolts(①) Spring Washer(③) and Washer(④) with Allen Wrench(⑤).
Do not fully tighten the Bolts.

Step 3



Attach the Legs(C+D+E) into the mounting positions of the Seat(B) using Bolts(②), Spring Washer(③) and Washer(④) with Allen Wrench(⑤).
Do not fully tighten the Bolts.

Step 4

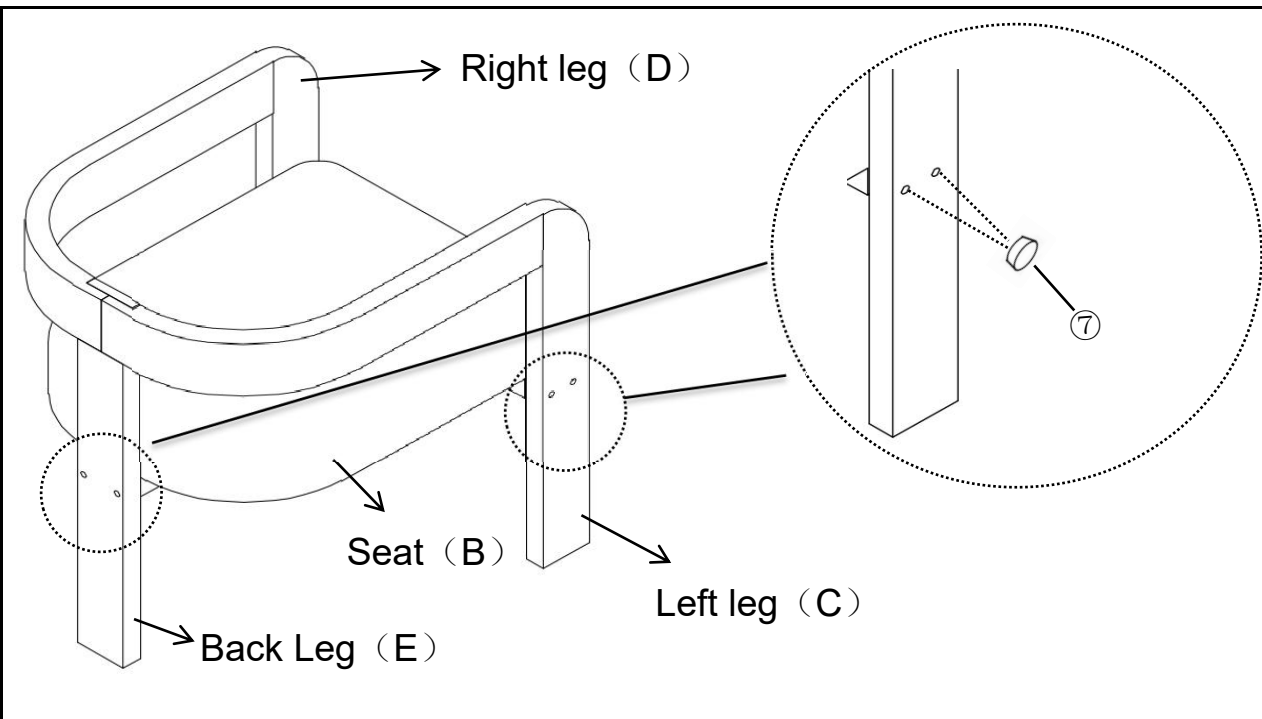


Attach the Legs(C+D+E) into the mounting positions of the angle iron(⑥) using Bolts (①),Spring Washer(③) and Washer(④) with Allen Wrench(⑤).

Check for stability and then tighten all the remaining bolts.

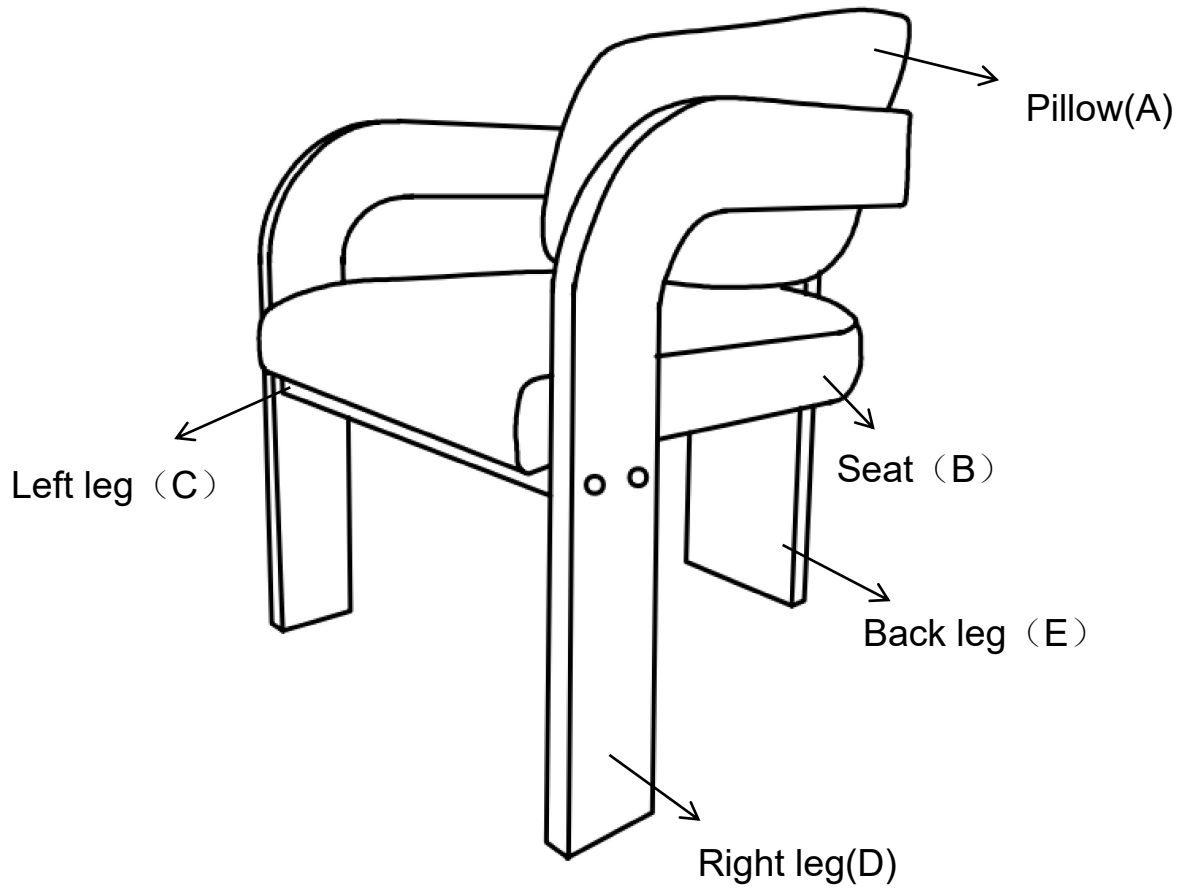
DO NOT fully tighten a bolt in one go and then move on to the next. Rather, in a sequential manner, gradually tighten each bolt until all bolts are evenly secured. This methodology will ensure maximum evenness once all bolts are fully tightened.

Step 5



Cover the bolt holes with the Plastic cap(⑦) .

Step 6



Place the Pillow(A) on the chair.

Your Chair is ready for use.

Caution: This chair can only be used on a flat, level surface.