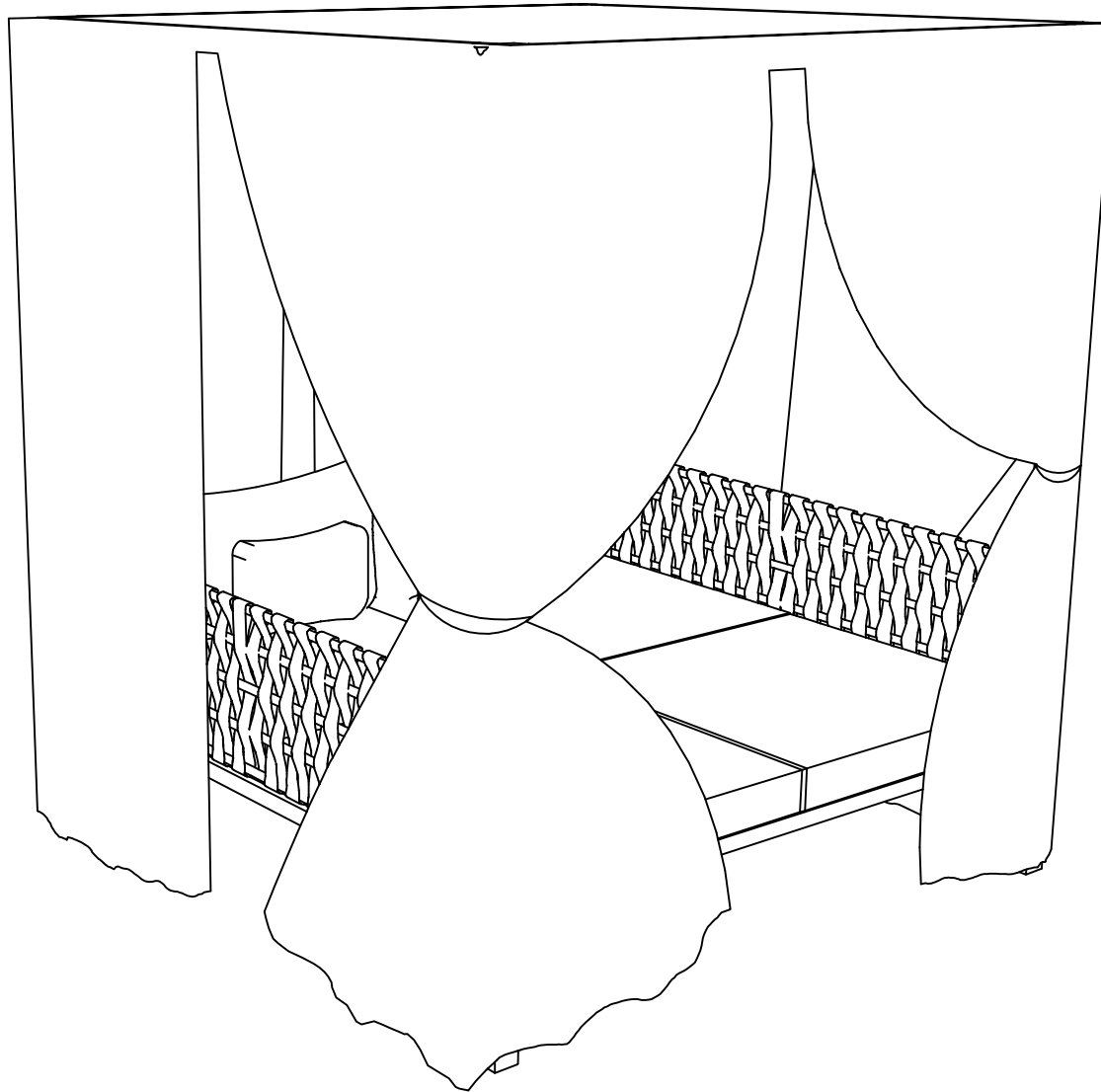
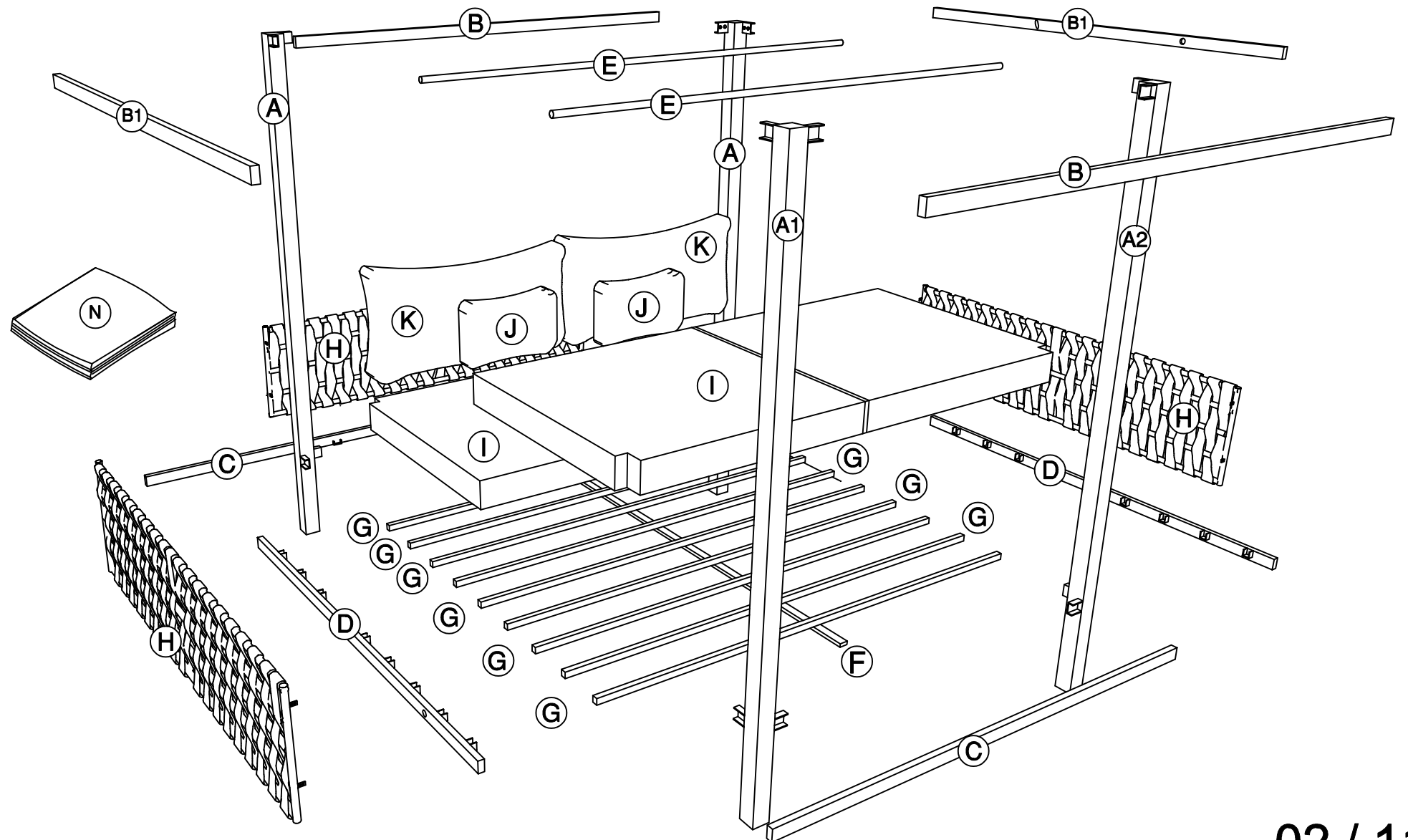


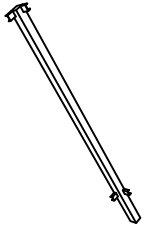
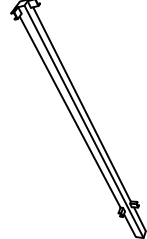
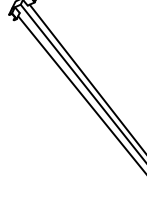
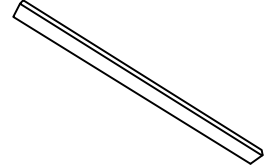
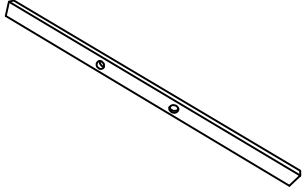
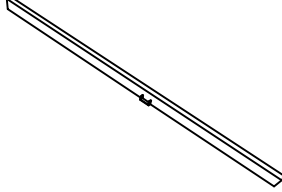
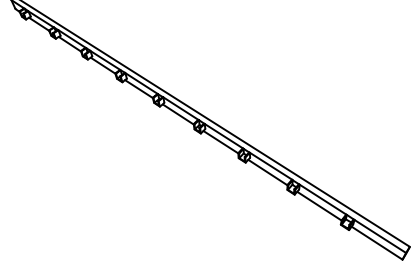
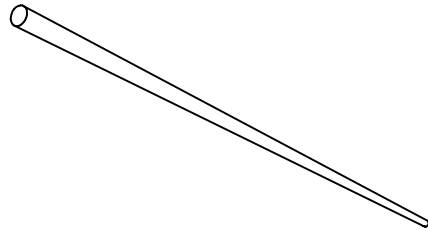
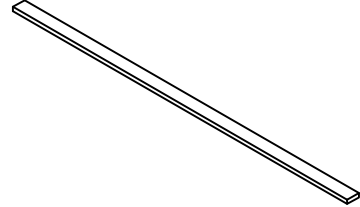
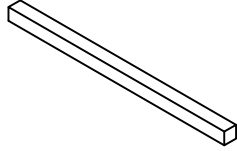
ASSEMBLY INSTRUCTION



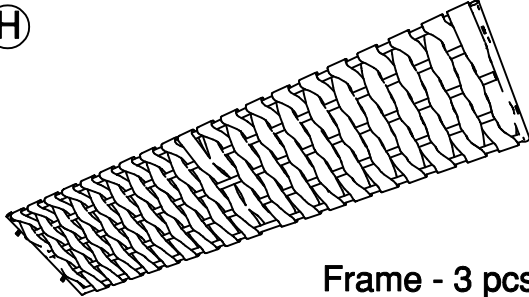
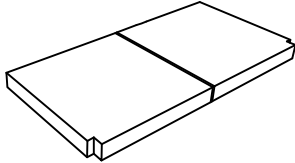
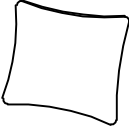
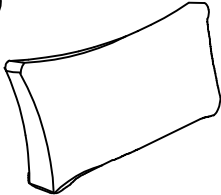
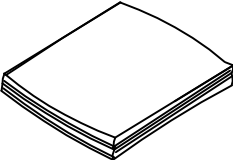
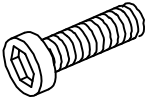


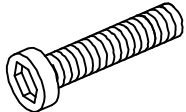

ASSEMBLY INSTRUCTION



Part List & Hardware

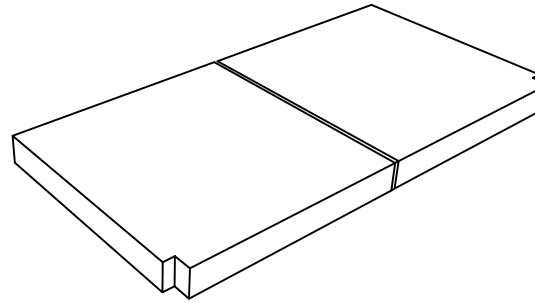
<p>(A)</p>  <p>Leg - 2 pcs</p>	<p>(A1)</p>  <p>Leg - 1pc</p>	<p>(A2)</p>  <p>Leg - 1pc</p>	<p>(B)</p>  <p>Slats - 2 pcs</p>
<p>(B1)</p>  <p>Slats - 2 pcs</p>	<p>(C)</p>  <p>Slats - 2 pcs</p>	<p>(D)</p>  <p>Slats - 2 pcs</p>	
<p>(E)</p>  <p>Round bar - 2 pcs</p>		<p>(F)</p>  <p>Slats - 1pc</p>	<p>(G)</p>  <p>Slats - 9 pcs</p>

Part List & Hardware

<p>ⓓ</p>  <p>Frame - 3 pcs</p>	<p>ⓓ</p>  <p>mattress - 2 pcs</p>	<p>ⓓ</p>  <p>Hugging pillows - 2 pcs</p>	
<p>ⓓ</p>  <p>pillows - 2 pcs</p>	<p>ⓓ</p>  <p>curtain - 1 pc</p>	<p>①</p>  <p>1/6" x 10 mm Hex-Head bolts 32 pcs</p>	<p>②</p>  <p>1/6" Flat washer 44 pcs</p>
<p>③</p>  <p>1/6" Spring Washer 44 pcs</p>	<p>④</p>  <p>1/6" x 20 mm Hex-Head bolts 12 pcs</p>	<p>⑤</p>  <p>Allen key 1 pc</p>	

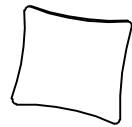
CARTON CONTENT

WF320598

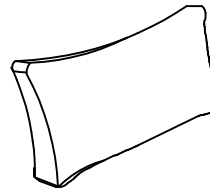


① x 2

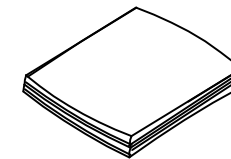
WF320599



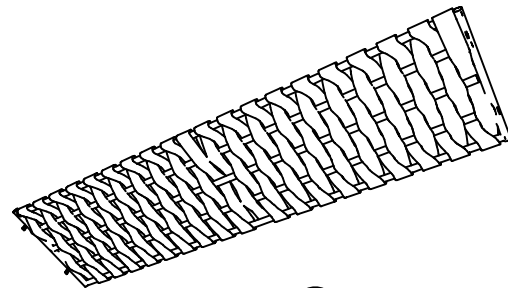
① x 2



① x 2

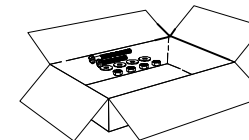


①



①

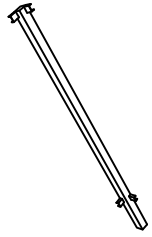
AI INCLUDED BOX -WF320599)



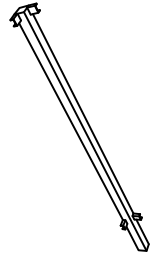
Hardware

CARTON CONTENT

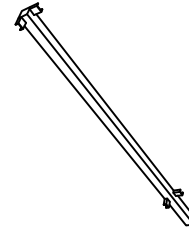
WF320600



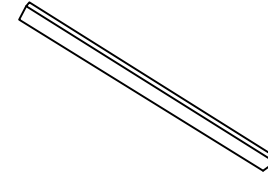
Ⓐ x 2



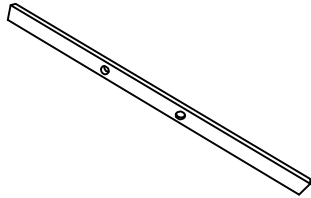
Ⓐ1



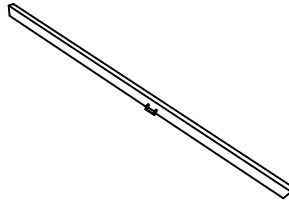
Ⓐ2



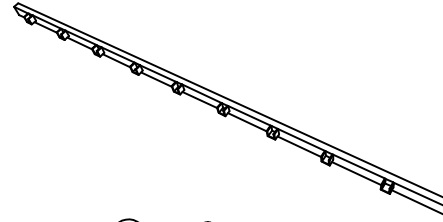
Ⓑ x 2



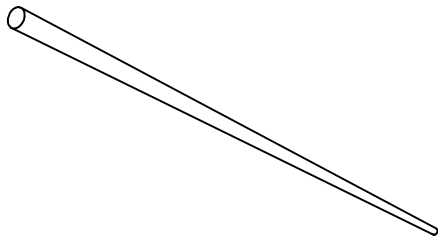
Ⓑ1 x 2



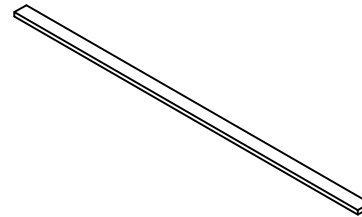
Ⓒ x 2



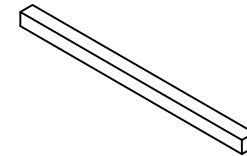
Ⓓ x 2



Ⓔ x 2






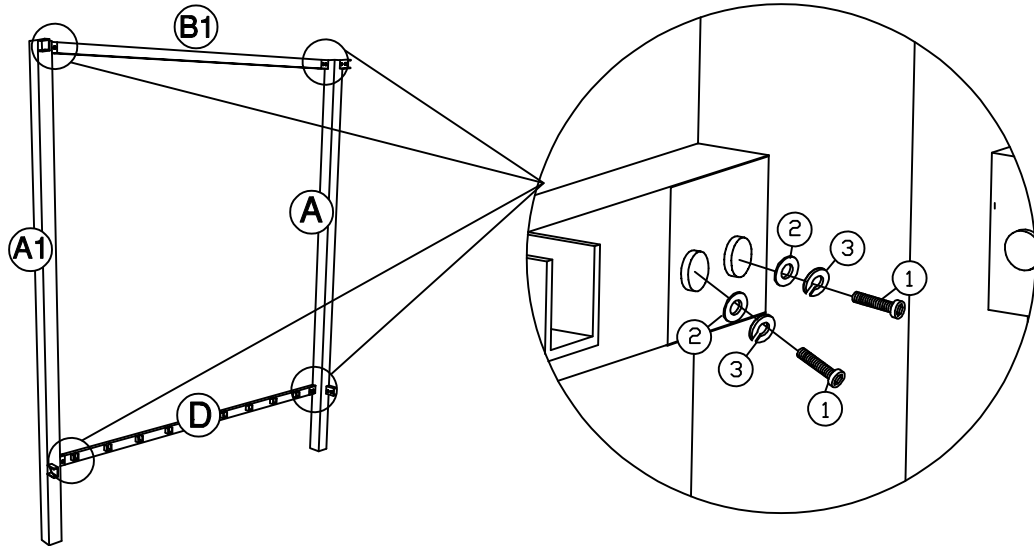
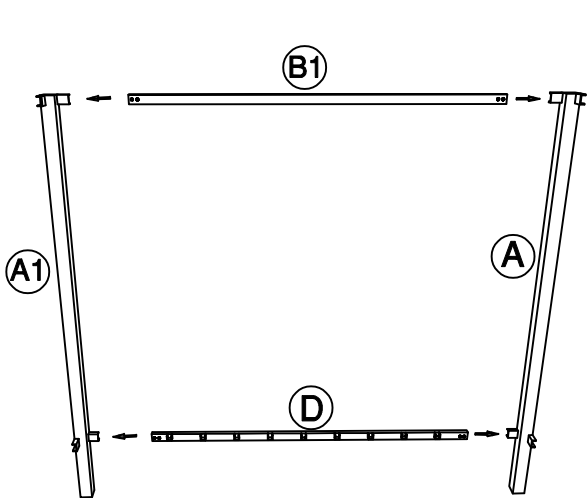
Ⓕ






Ⓖ x 9

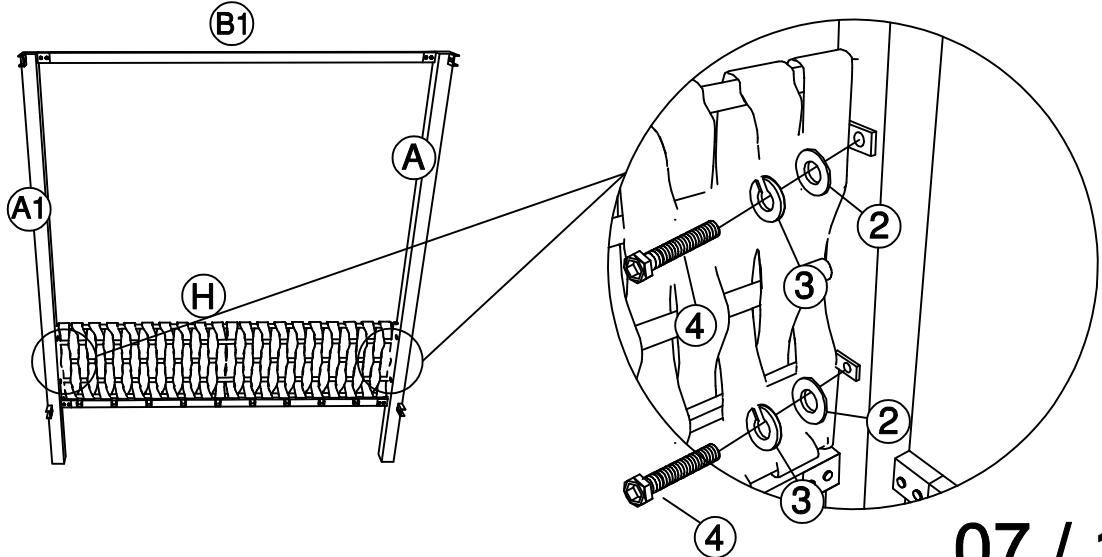
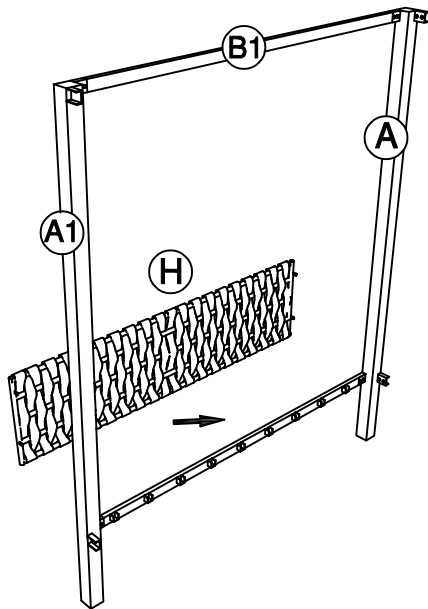
STEP1: Following below illustration

		
8 (PCS)	8 (PCS)	8 (PCS)






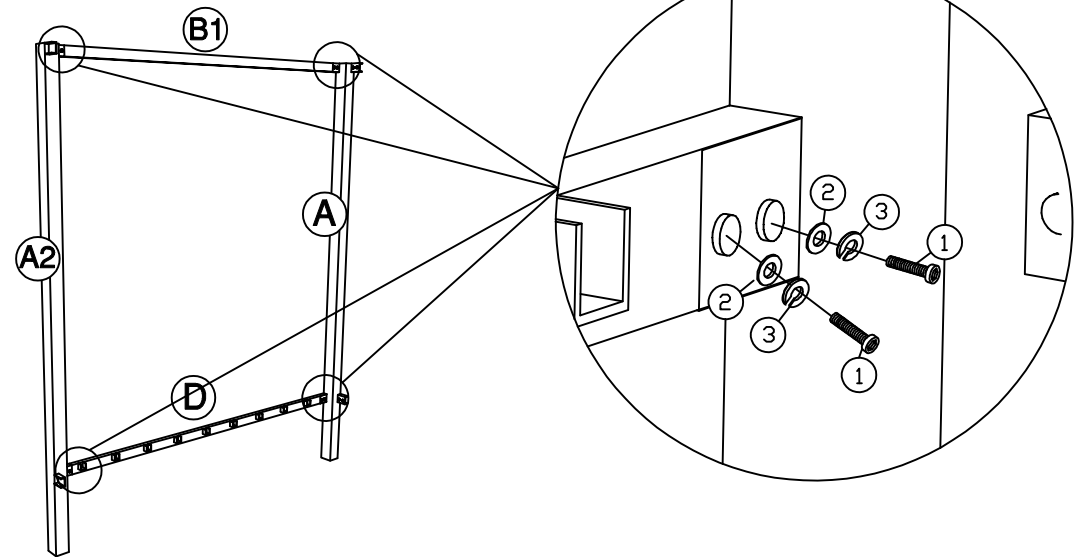
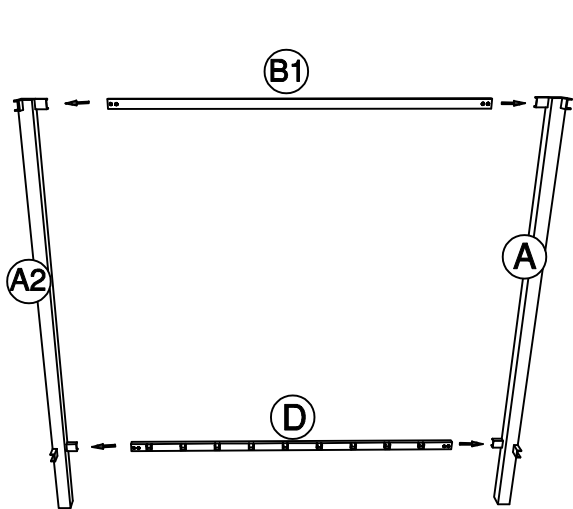
STEP2: Following below illustration

		
4 (PCS)	4 (PCS)	4 (PCS)

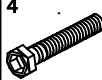




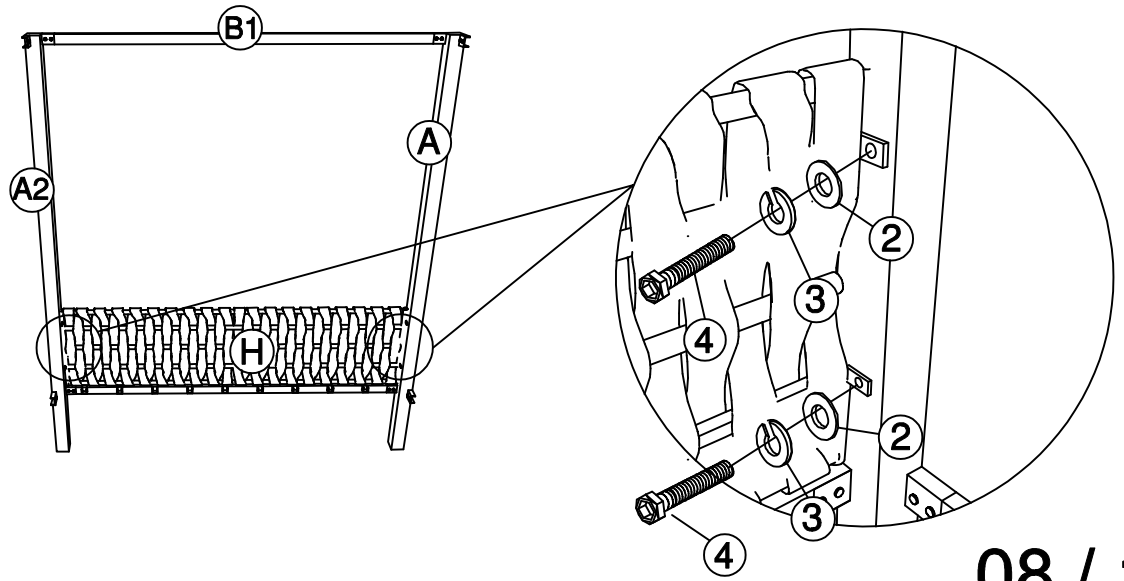
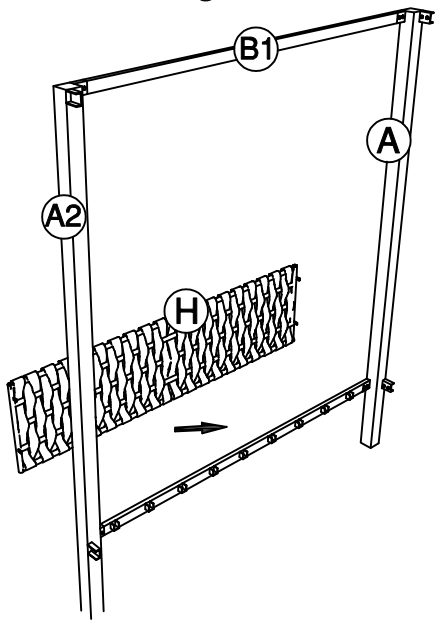
STEP3: Following below illustration

		
8 (PCS)	8 (PCS)	8 (PCS)

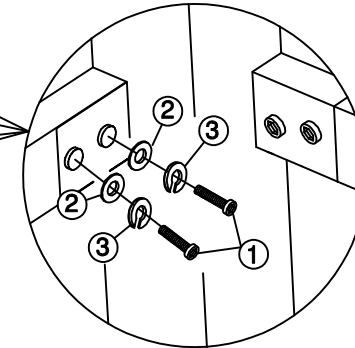
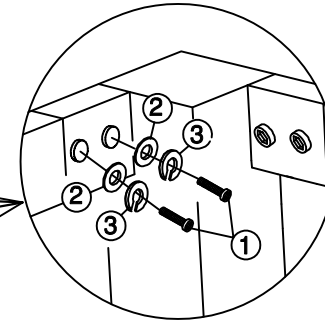
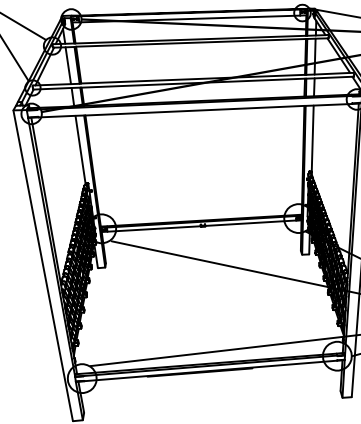
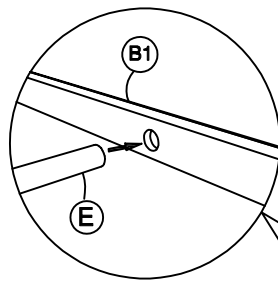
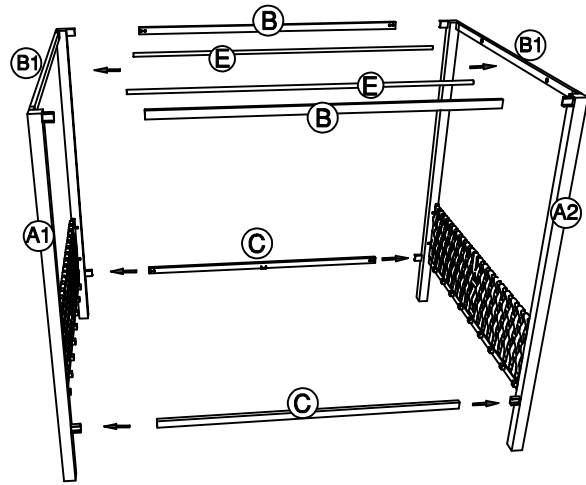





STEP4: Following below illustration

		
4 (PCS)	4 (PCS)	4 (PCS)

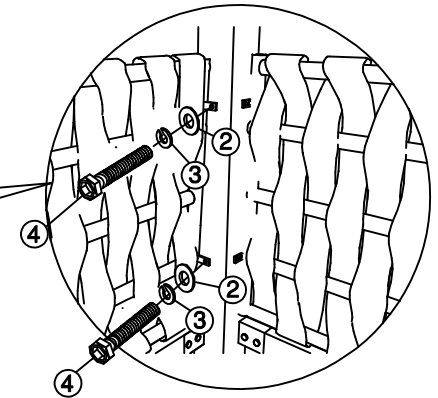
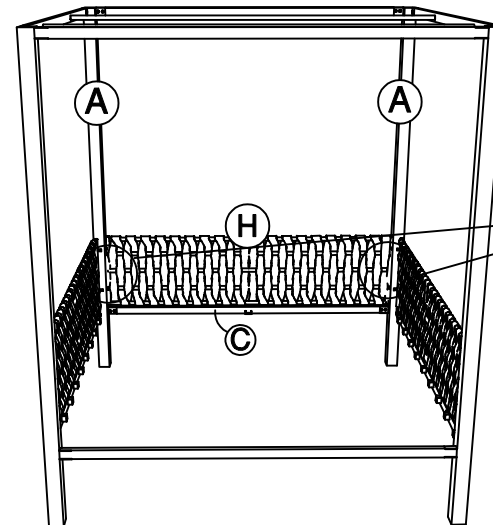
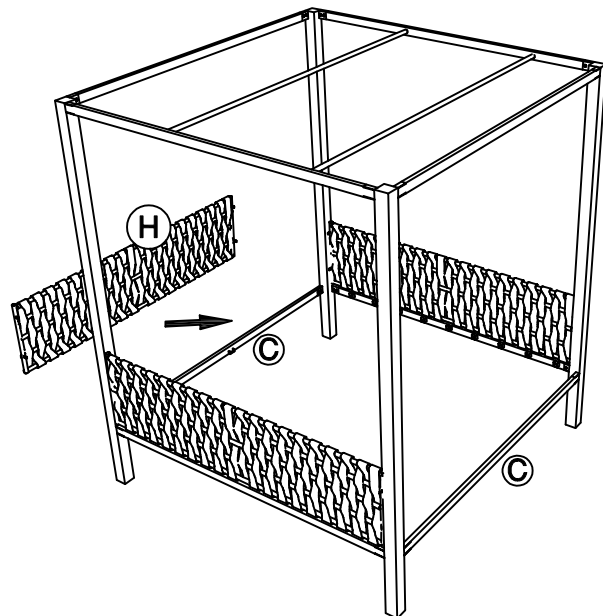





STEP5: Following below illustration



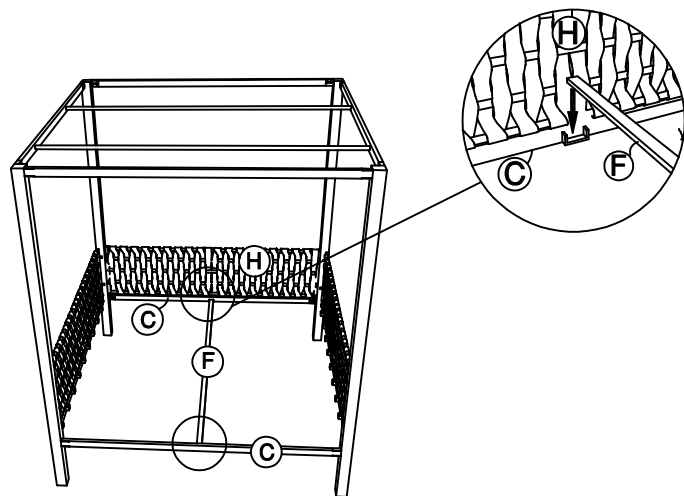
1	3	2
		
16 (PCS)	16 (PCS)	16 (PCS)

STEP6: Following below illustration

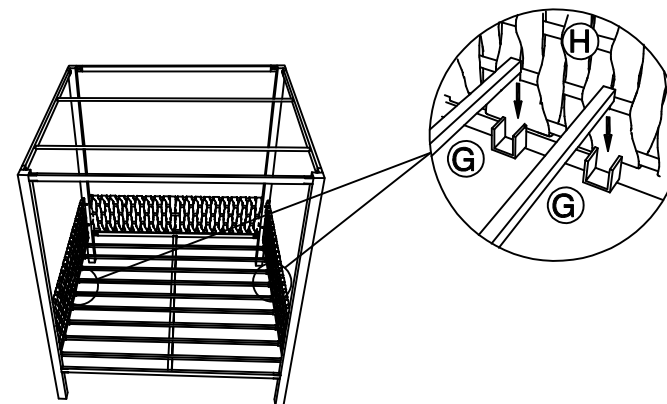


4	3	2
		
4 (PCS)	4 (PCS)	4 (PCS)

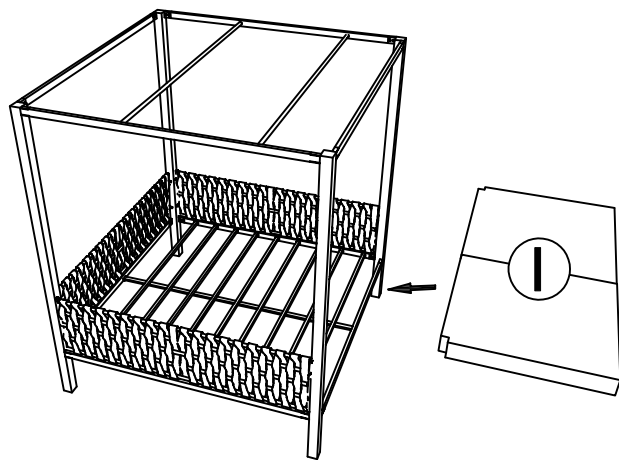
STEP7: Following below illustration



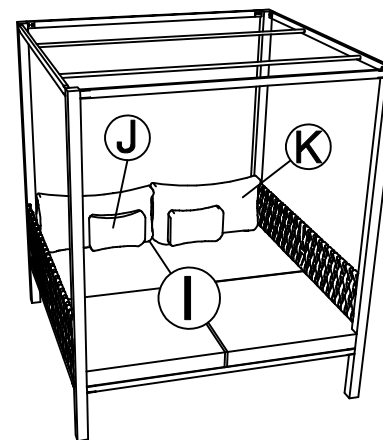
STEP8: Following below illustration



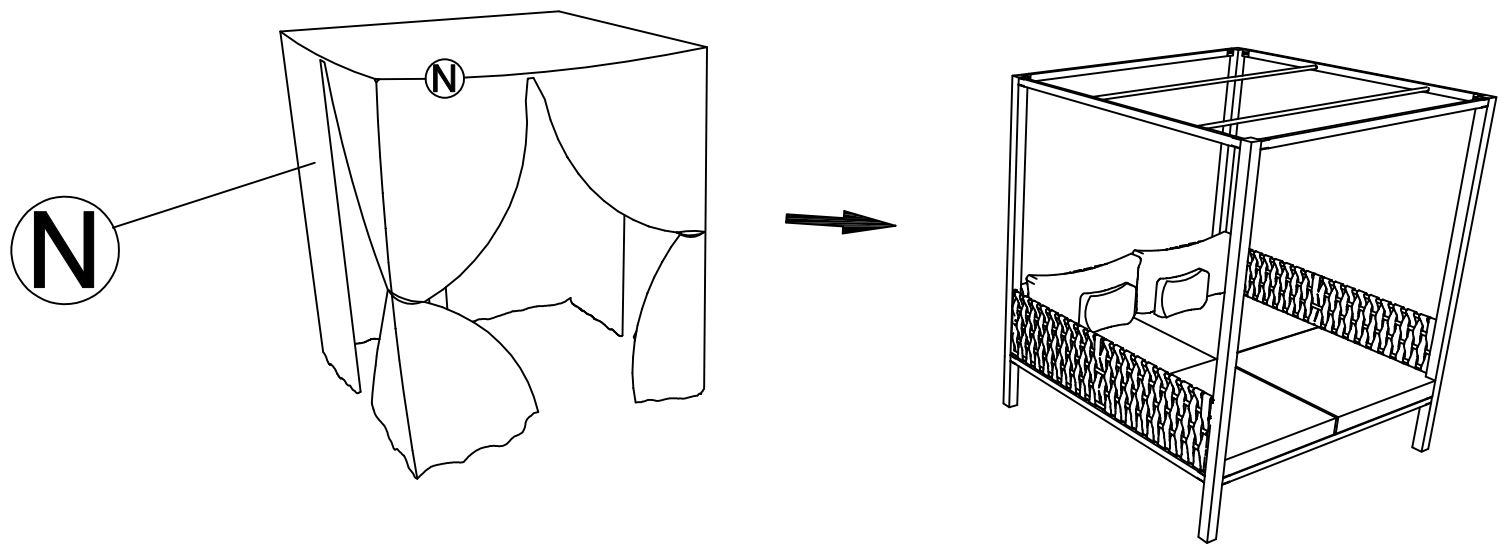
STEP9: Following below illustration



STEP10: Following below illustration



STEP11: Following below illustration



FINISH

