

ASSEMBLY INSTRUCTIONS



CAUTION

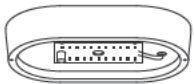
- Inspect the wire insulation for any cuts, abrasions or exposed copper that may have resulted during shipping. If there is a defect in the wire, do not attempt installation.
- Before starting installation of this fixture or removal of a previous fixture, disconnect the power by turning off the circuit breaker or by removing the fuse at the fuse box.

TOOLS REQUIRED



* PARTS SHOWN MAY DIFFER SLIGHTLY PER LIGHT FIXTURE

HARDWARE INCLUDED



Fixture



Glass Shade



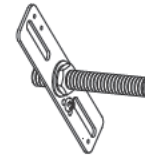
Cage



Screws



Ball Nut



Mounting Unit

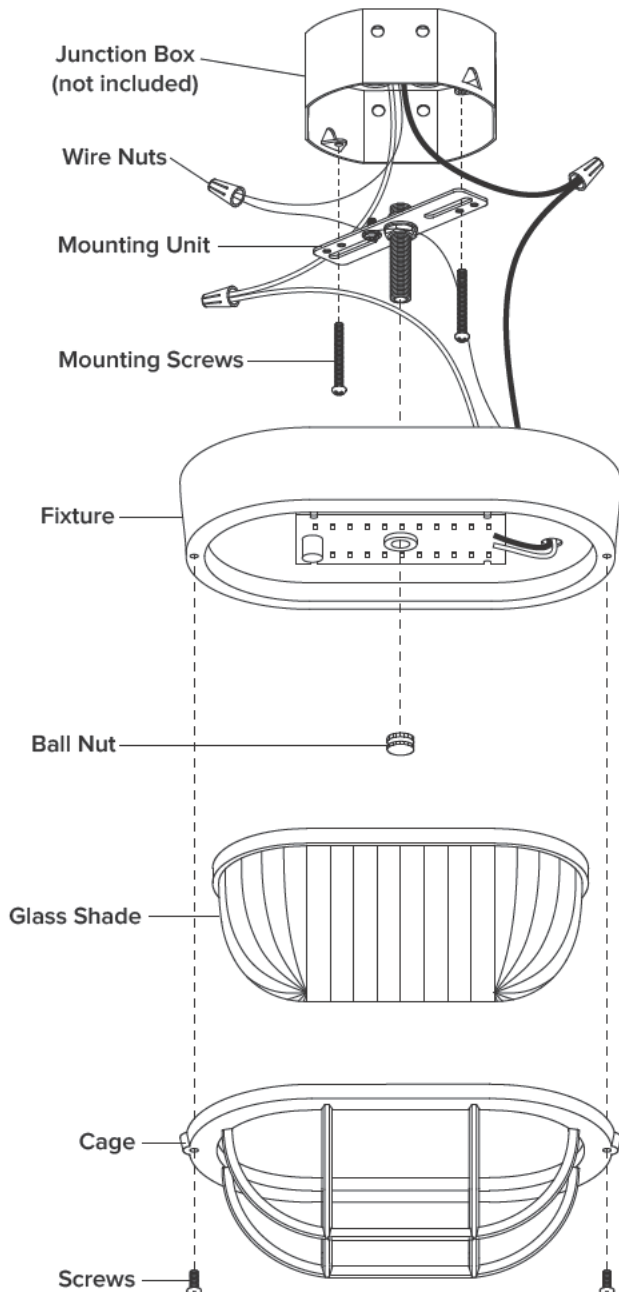


Mounting
Screws



Wire Nuts

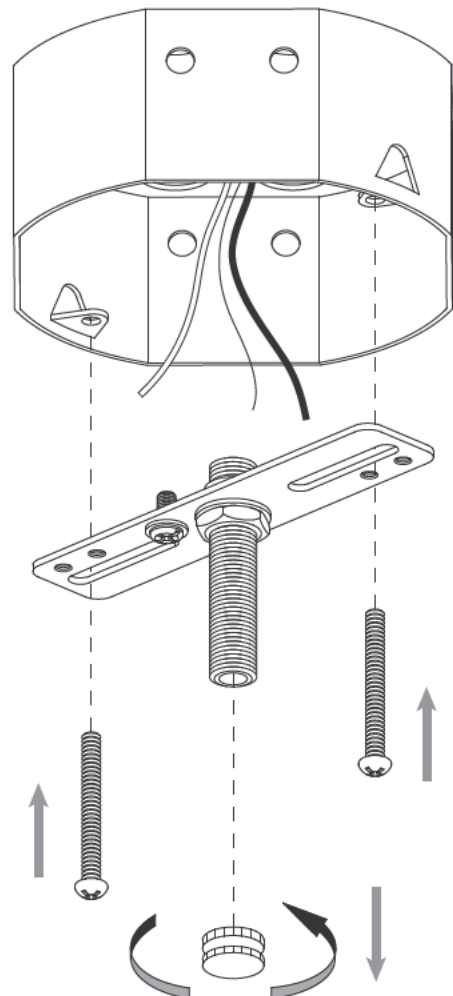
EXPLODED PARTS



INSTALLATION

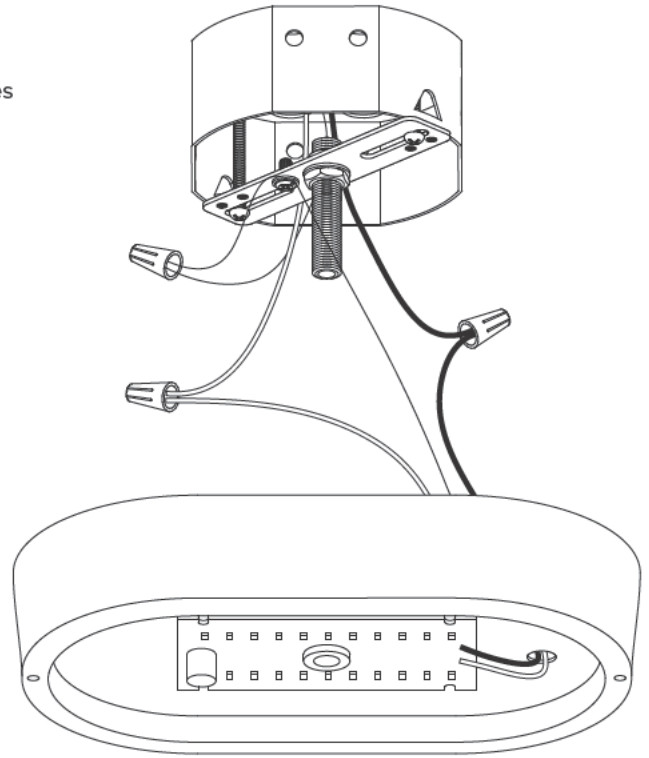
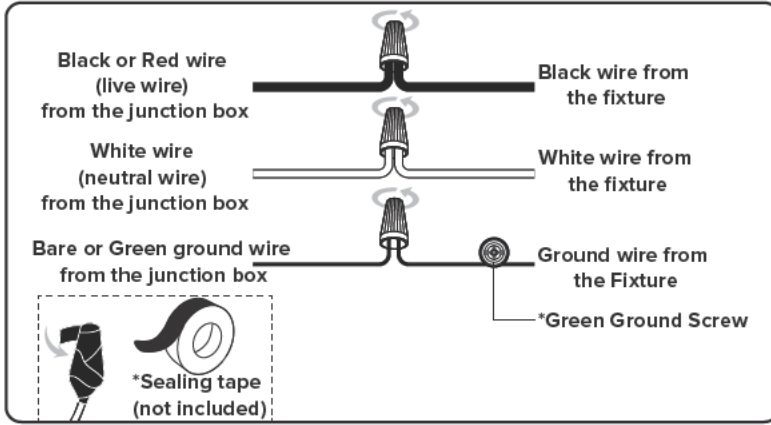
STEP 1

1. Unscrew the **ball nut** from the **mounting unit**.
2. Adjust threaded rod on **mounting unit** to allow **fixture** to rest flush against the ceiling when **ball nut** is tightened.
3. Use the **mounting screws** to attach the **mounting unit** to the junction box (not included).



STEP 2

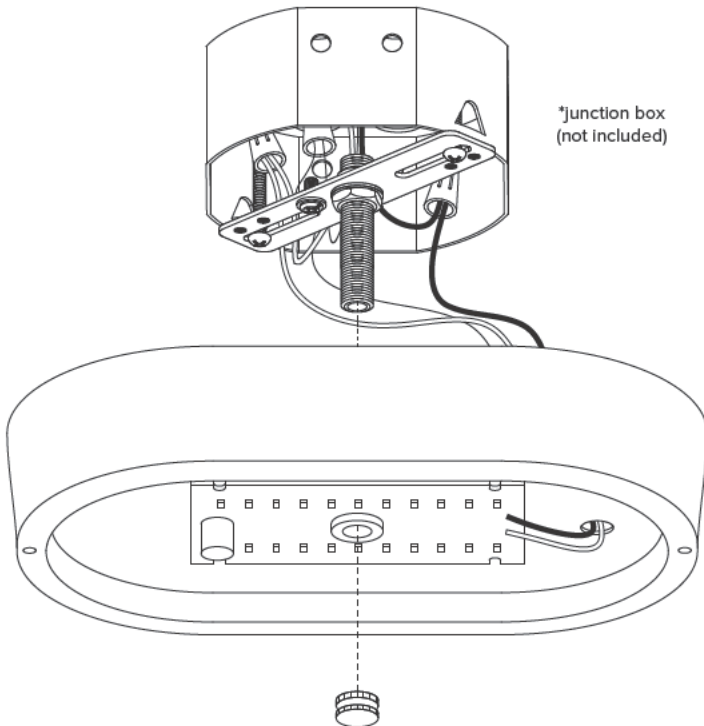
Make the electrical connection from the junction box (not included) to the fixture. Connect the ground wire to the **mounting unit** using the preinstalled green ground screw. Next, connect the live wire, neutral wire and ground wires with the supplied **wire nuts**. Secure with electrical tape.



STEP 3

Secure the fixture to the mounting unit with the ball nut.

NOTICE: Please use caulk in the back plate and wall mounting surface to prevent water from entering.



STEP 4

Attach the glass shade and cage onto fixture using screws.

