
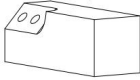







KINWELL

Installation Instruction

SKU:BSC174ST

			
Sectional	Legs × 8	Middle Wooden Leg × 2	Allen Key × 2
			
Screw M8x50mm × 17	Gasket × 17	Spring Washer × 17	

