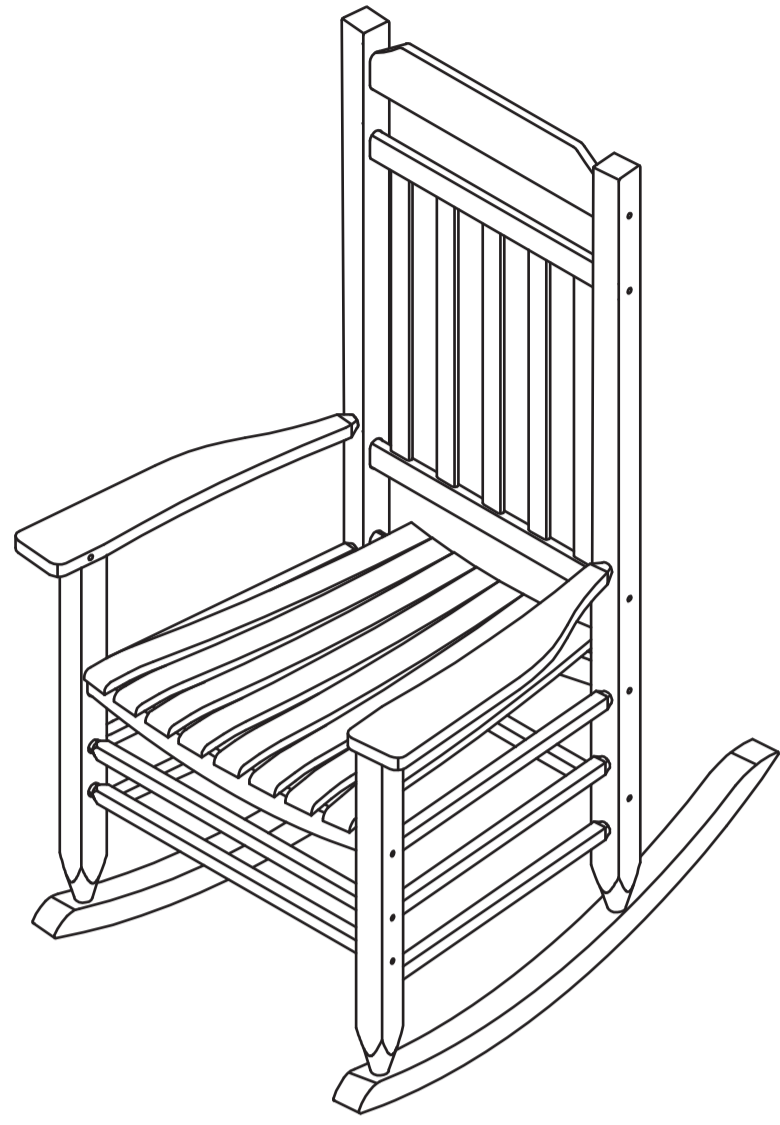


## WOOD ROCKING CHAIR ASSEMBLY MANUAL



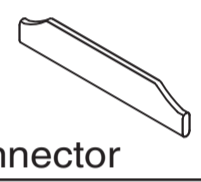

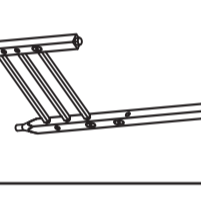
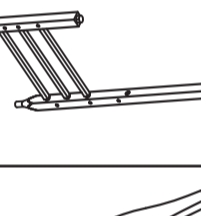
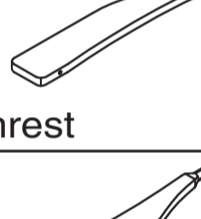

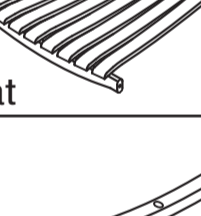

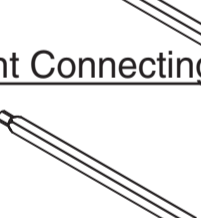
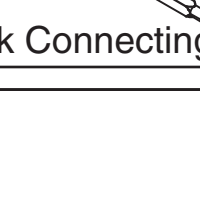
### Assembly Instructions

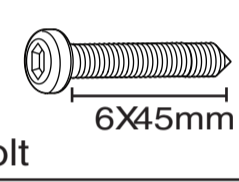
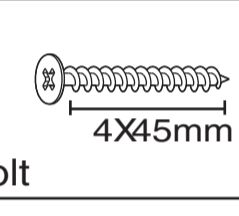
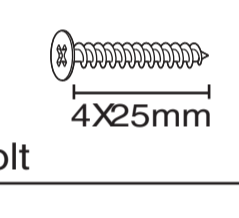
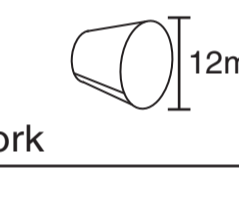
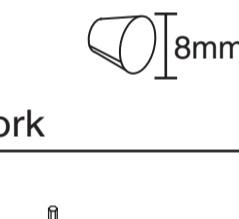
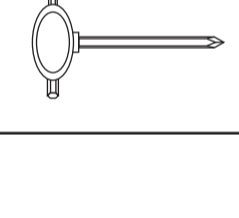
- Prior to assembly, ensure that you lay out and identify all the parts listed in the parts list.
- 2 persons at least are necessary to assemble the chair.
- Tighten all nuts and bolts securely. Hand-tighten all bolts before use. Avoid using power tools or applying excessive force during assembly and bolt tightening.
- If you encounter any difficulties during assembly or if any part is missing or damaged, please don't hesitate to contact our customer service team via email at [info@koz-yard.com](mailto:info@koz-yard.com) or by calling our toll-free number at 866-355-0018.

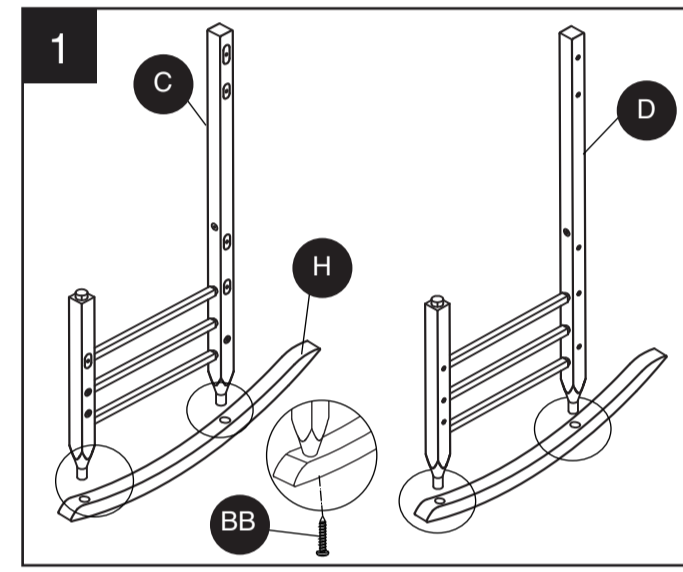
### Care and warranty

- The weight capacity of this chair is 250 lbs.
- Clean the frame components with a mild soap solution, then rinse thoroughly. Avoid using bleach, acid, or any other solvents on either the fabric or frame components.
- Keep away from fire as well as from inflammable objects.
- Care should be taken to avoid tipping while seated.
- To avoid harm or injury – do not sit on arms.
- For a comprehensive warranty policy, please visit [www.kozyard.com](http://www.kozyard.com). Be aware that warranty terms can change without prior notification.
- For the best performance and safety of your chair, inspect and tighten all bolts and fasteners regularly

### Part list

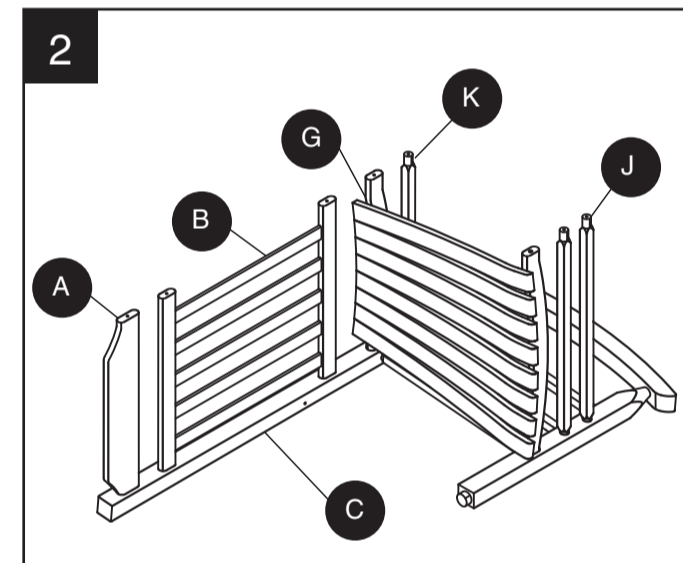
Part	Description	Qty
A	 Connector	1
B	 Back	1
C	 Leg	1
D	 Leg	1
E	 Armrest	1
F	 Armrest	1
G	 Seat	1
H	 Rocking Bar	2
J	 Front Connecting Bar	2
K	 Back Connecting Bar	1

Part	Description	Qty
AA	 Bolt 6X45mm	16
BB	 Bolt 4X45mm	8
CC	 Bolt 4X25mm	4
DD	 Cork 12mm	16
EE	 Cork 8mm	4
FF	 Key	1



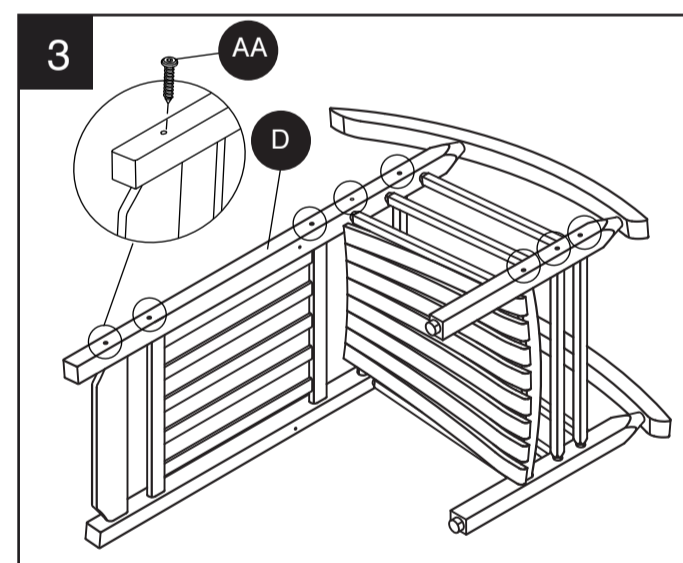
BB X 4

1. Assemble Legs (Part C & D) with the Rocking Bar (Part H) using Bolts BB as shown in the diagram.



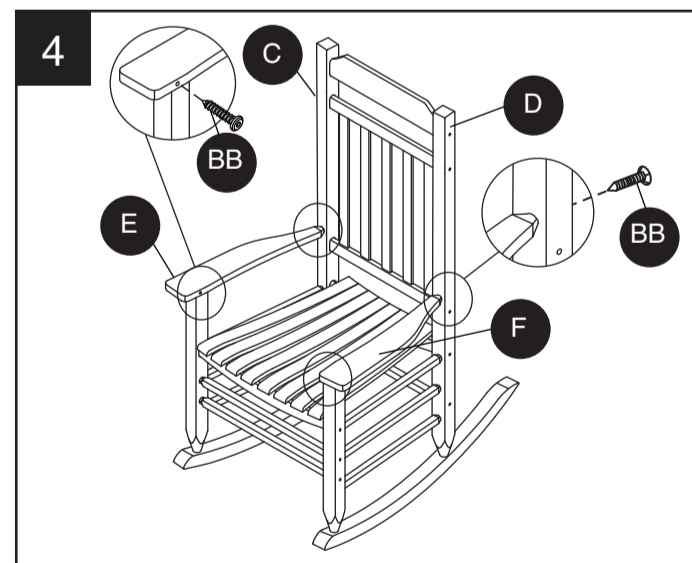
BB X 4

2. Connect Connector (Part A), Back (Part B), Seat (Part G), two Front Connecting Bars (Part J), and Back Connecting Bar (Part K) into one Leg (Part C) as shown in the diagram.



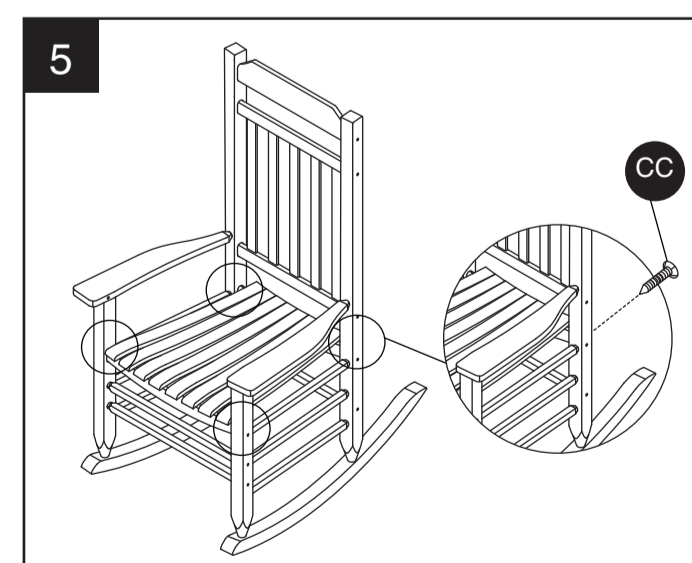
AA X 16

3. Cover the other Leg (Part D) in the same way as in step 2, and then secure the parts using Bolts AA as shown in the diagram.



BB X 4

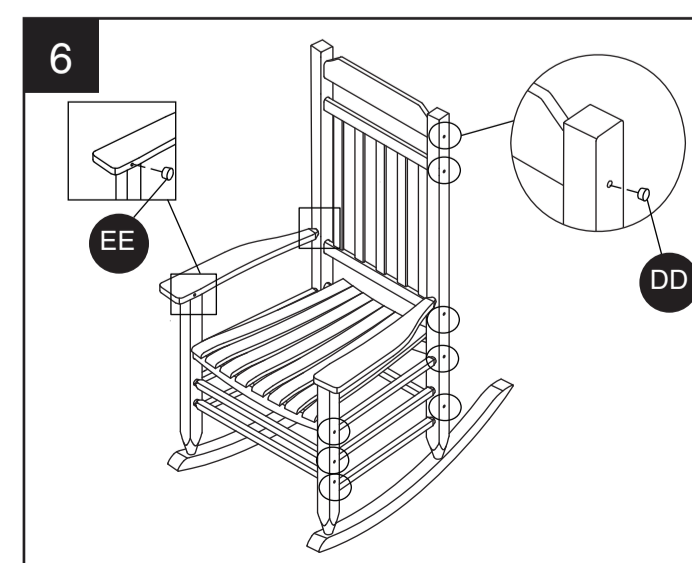
4. Connect Armrests (Part E & F) to Legs (Part C & D) using Bolts BB as shown in the diagram.



CC X 4

5. Using Bolts CC to reinforce the Seat (Part G).

**Remind: No Cork to be covered for these 4 screws.**



DD X 16

EE X 4

6. Before using, check all bolts are fasten tightly. Then Put the Corks DD and EE to the related holes as shown in diagram.