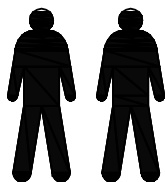
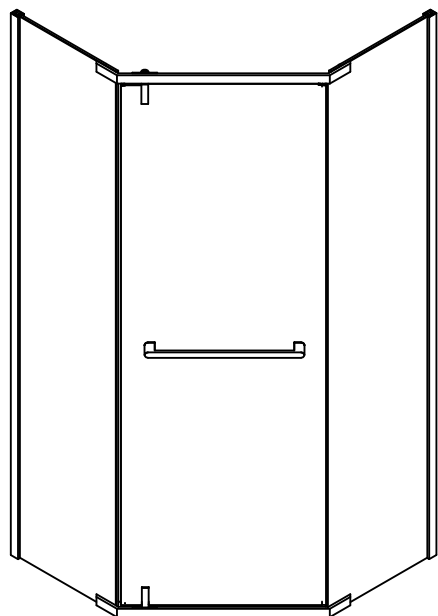
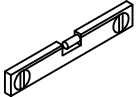


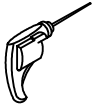

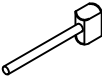

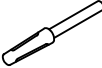


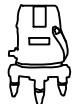


BW-07 Installation Manual



2 PEOPLE REQUIRED

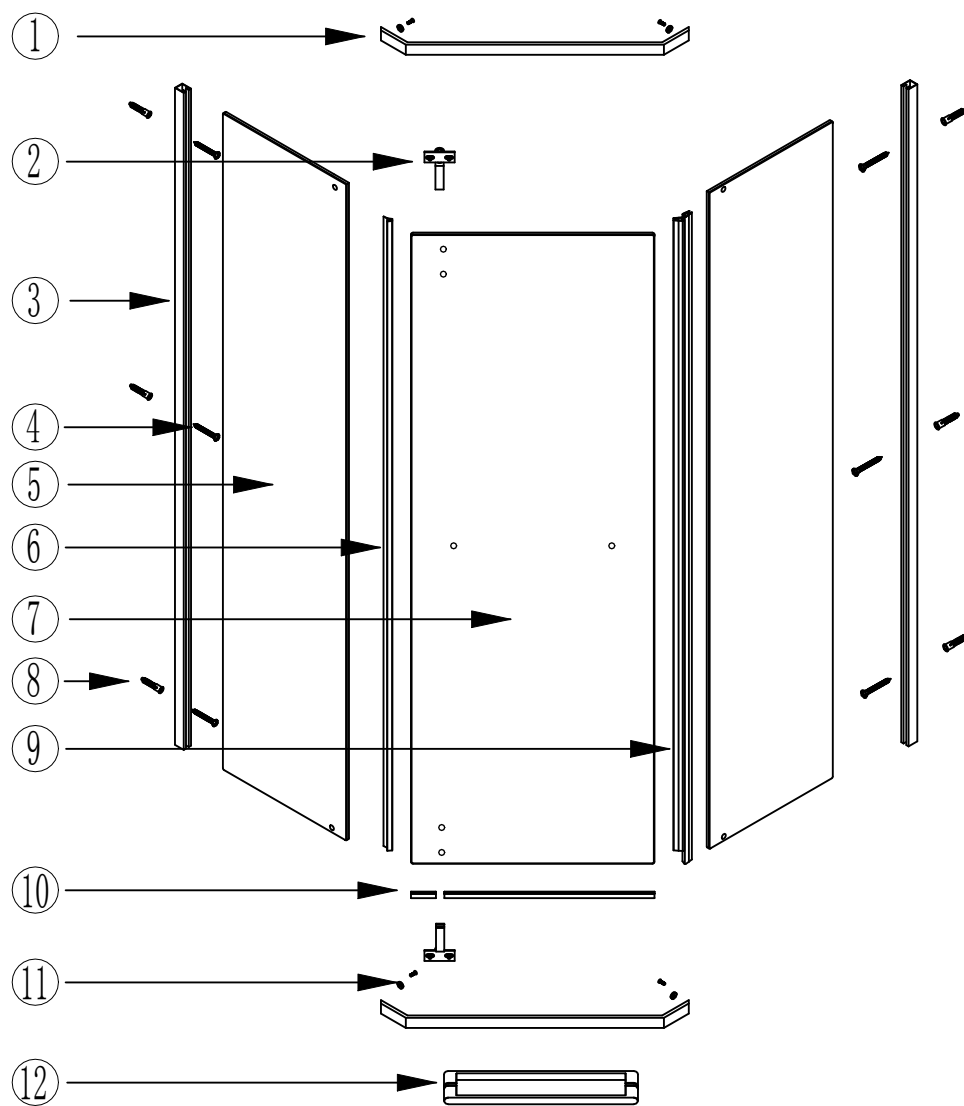
Tool List

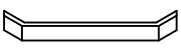

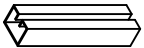

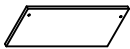

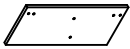




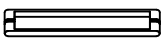
 Spirit level	 Tape measure	 Pencil
 Power drill	 Drill bit	 Rubber hammer
 Silicone Gun	 Screwdriver	 Hacksaw
 Hand grinder	 Safety glass	 Laser level

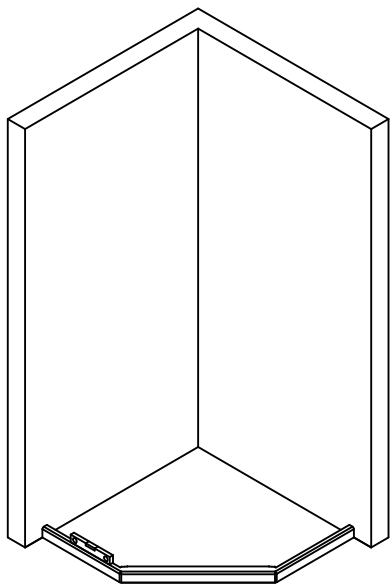


CAUTION:Risk of injury or product damage.

During installation tempered glass should not come in direct contact with metal parts or it may shatter. Silicone must always be used between glass and metal. Do not touch the edges of tempered glass with tools. Do not attempt to cut tempered glass as it will shatter.

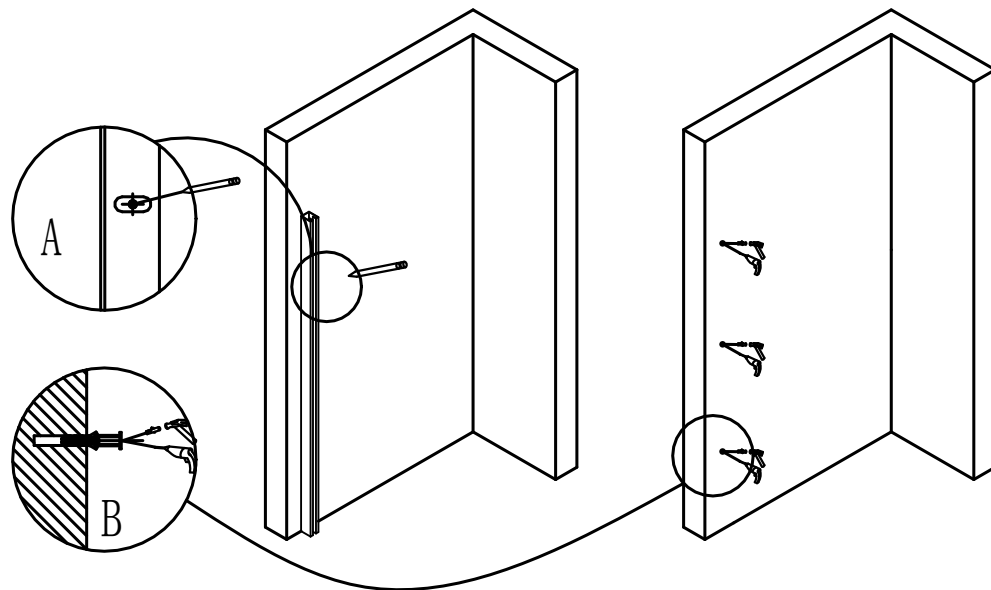


NO.	Picture	Name	Quantity
1		Support bracket	2
2		Pivot	2
3		Wall material	2
4		Screw	6
5		Fixed glass	2
6		Door side waterproof seal	1
7		Door glass	1
8		Expansion rubber particle	6
9		Magnetic door seal	2
10		Bottom shower door seal	1
11		Support bracket fastener	4
12		Handle	1



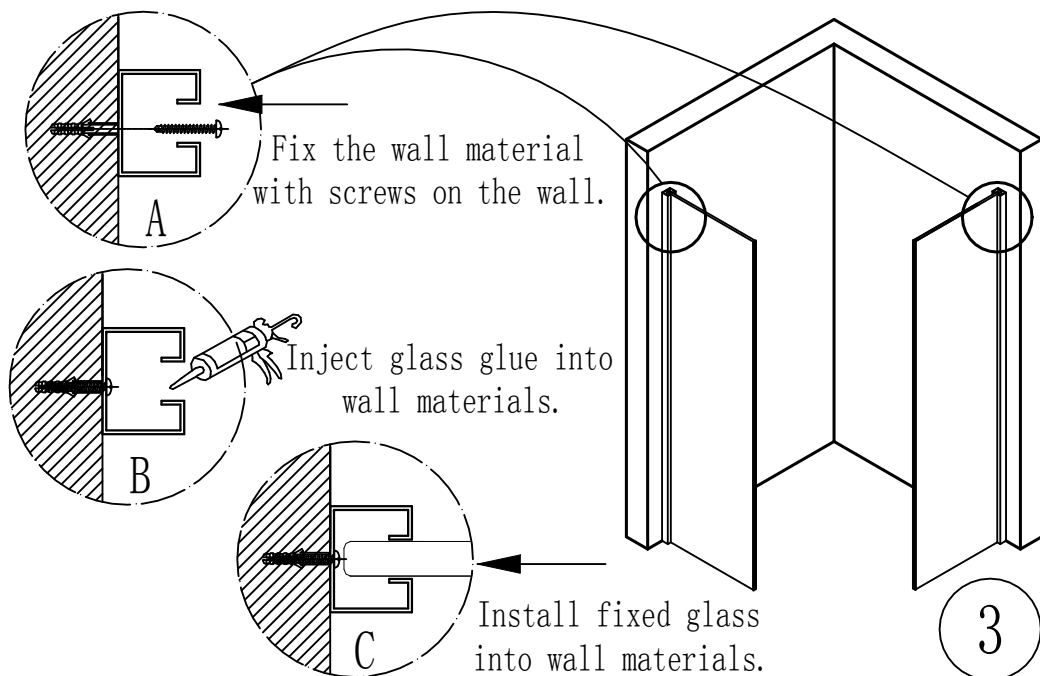
First ,use a level to adjust the base tray.

1



Mark the hole positions after leaning the wall material against the wall, and then drill holes and fill in expansion rubber particles.

2

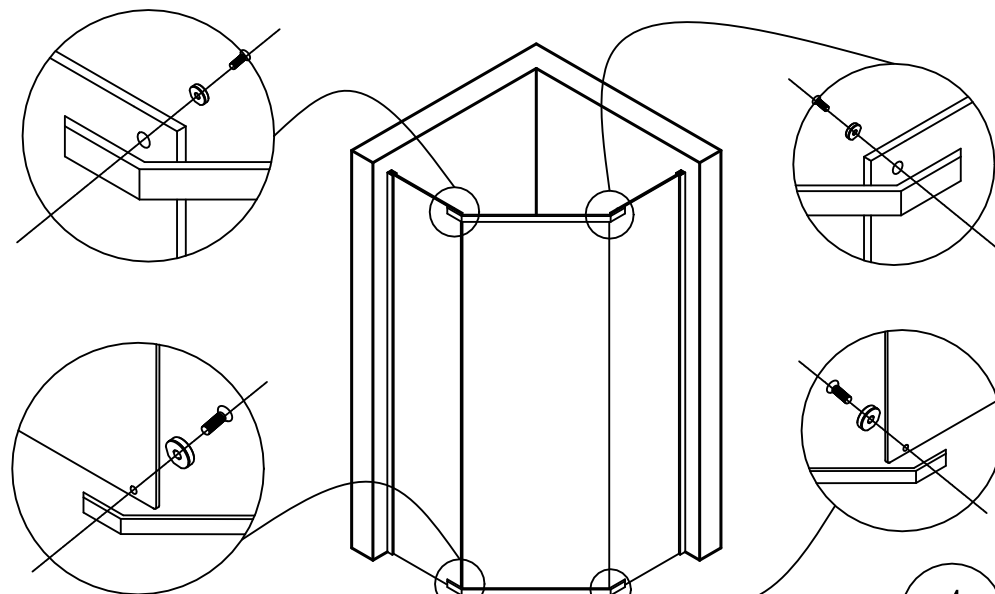


Fix the wall material with screws on the wall.

Inject glass glue into wall materials.

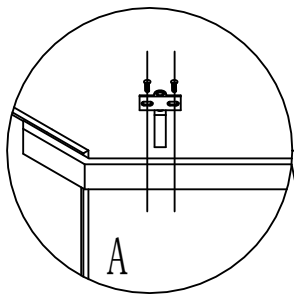
Install fixed glass into wall materials.

3

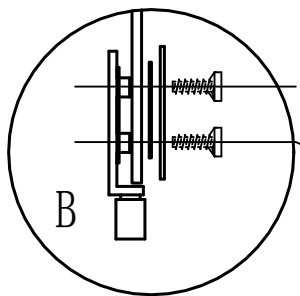


Secure the fixed glass to the upper and lower support bracket.

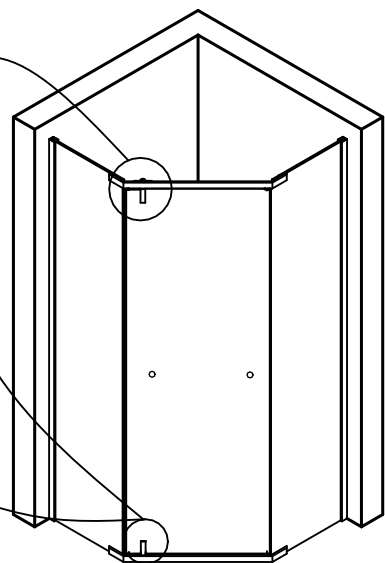
4



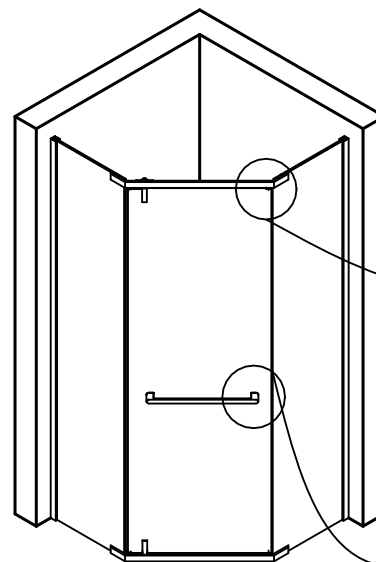
Fix the pivot on the support bracket.



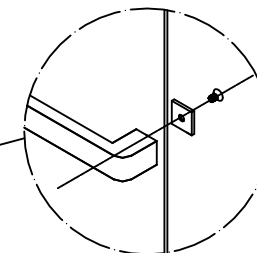
Secure the door glass to the pivot.



5

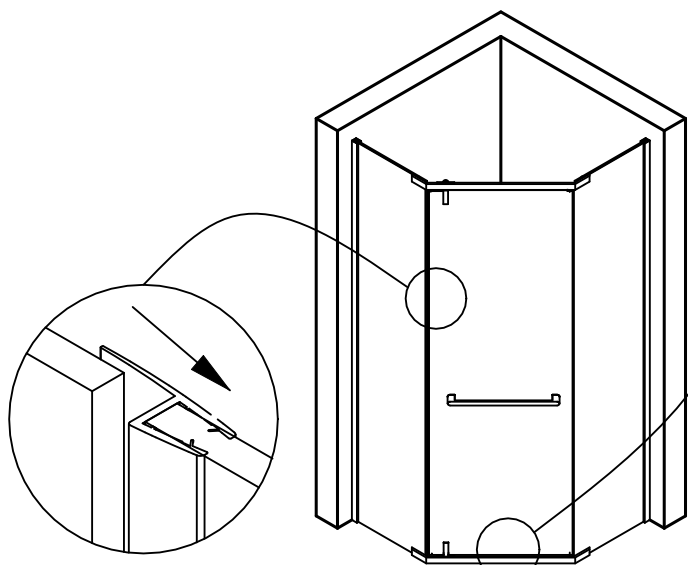


Install the magnetic door seal properly.

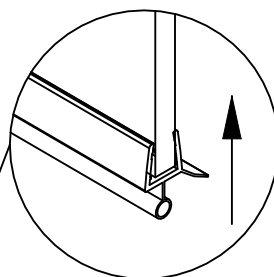


Install the handle properly.

6

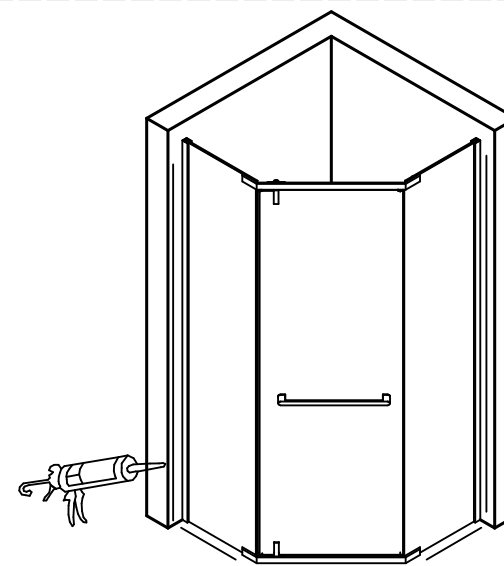


Install the door side waterproof seal properly.



Install the bottom shower door seal properly.

7



Apply glass glue around the perimeter, and the installation is complete.

8

