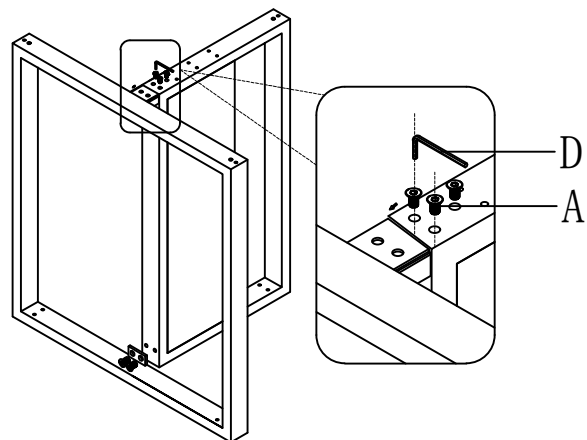
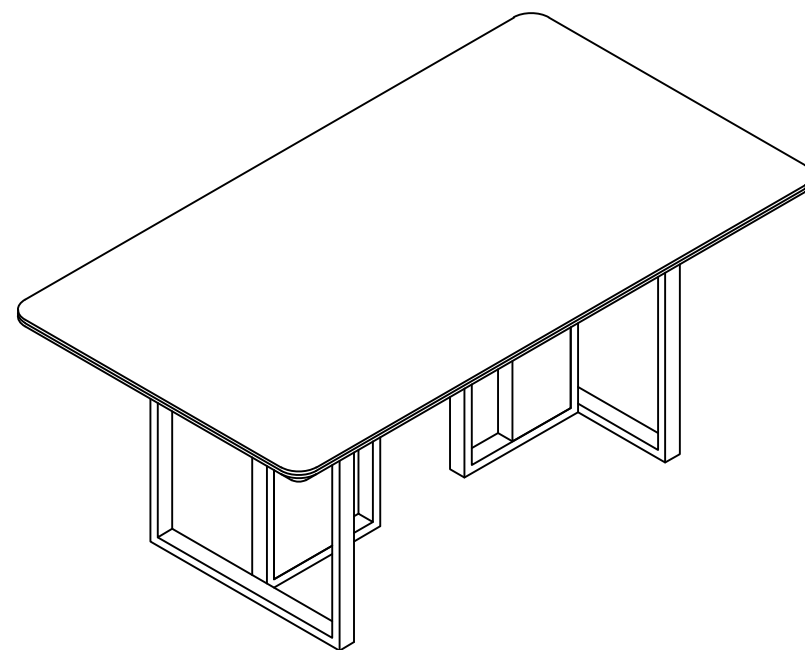
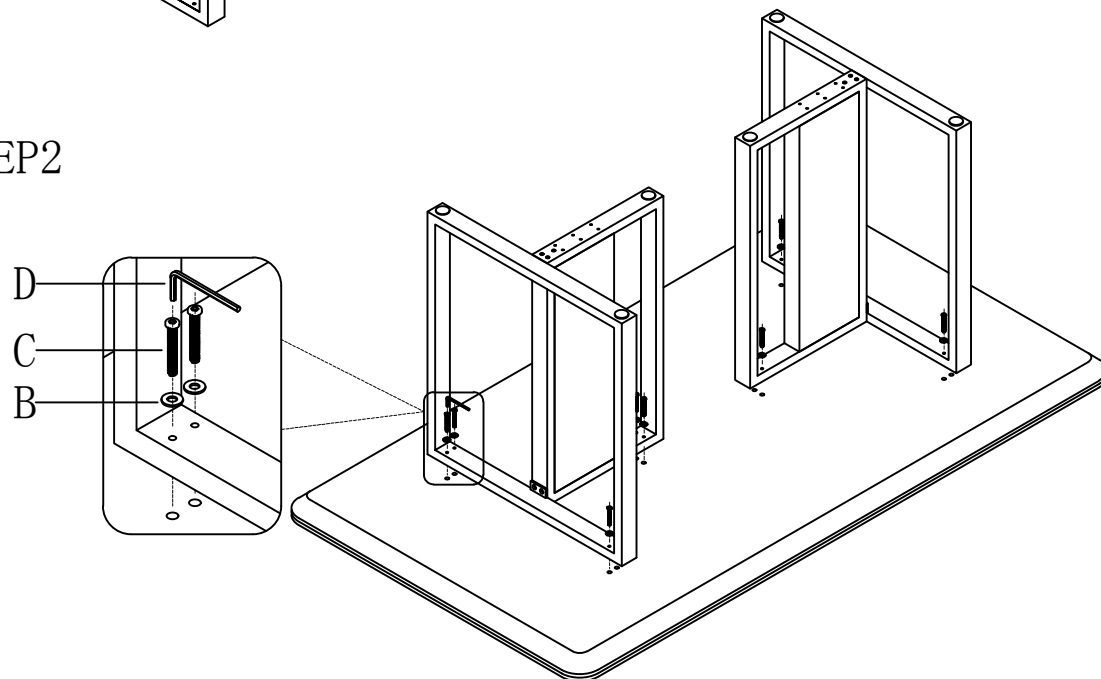


# ASSEMBLY INSTRUCTION





STEP1



STEP2



DI-11

A		10pcs
B		12pcs
C		12pcs
D		1pc