

ASSEMBLY INSTRUCTION

Thank you for purchasing this quality product. Be sure to check all packing material carefully for small parts which may have come loose inside the carton during shipment. Separate, identify and count all parts and hardware. Compare with the parts list to be sure all parts are present.

IMPORTANT : PLEASE READ INSTRUCTION BEFORE STARTING THE ASSEMBLY.

"DO NOT TIGHTEN SCREWS UNTIL COMPLETELY ASSEMBLED"

"DO NOT OVERTIGHT ANY HARDWARE"

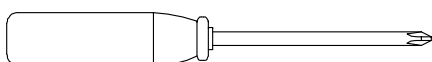
WARNING : SMALL PARTS AND HARDWARE NOT FOR CHILDREN UNDER 3 YEARS. ADULT ASSEMBLY REQUIRED.

TABLE OF CONTENTS

HARDWARES LIST	PAGE 2 - 3
PARTS LIST	PAGE 4 - 5
PARTS' LOCATION	PAGE 6
ASSEMBLY STEPS	PAGE 7 - 18
ASSEMBLY COMPLETED	PAGE 19

ASSEMBLY TOOLS REQUIRED

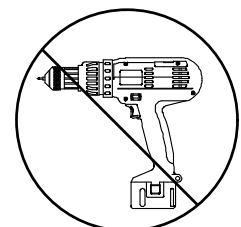
1. Screwdriver (not provide)



2. Hammer (not provide)




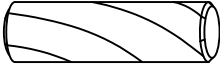
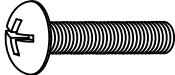






Skip the power drill this time.




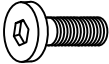
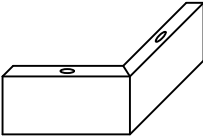

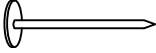

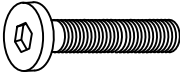
ASSEMBLY INSTRUCTION

HARDWARES LIST

ITEM	DESCRIPTION	DRAWING	QTY
A	MINIFIX CAM LOCK		40 PCS
B	MINIFIX CAM BOLT		40 PCS
C	WOOD DOWEL (M8 x 45MM)		16 PCS
D	WOOD DOWEL (M6 x 45MM)		32 PCS
E	TRUSS M-SCREW (20MM)		8 PCS
F	M4 ALLEN KEY (100MM)		1 PC
G	HANDLE		4 PCS
H	LEFT DRAWER SLIDE		4 PCS
I	RIGHT DRAWER SLIDE		4 PCS

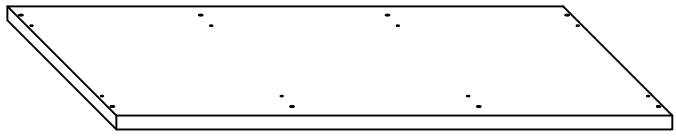
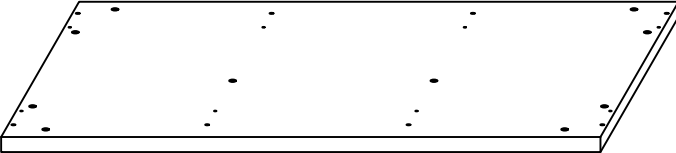
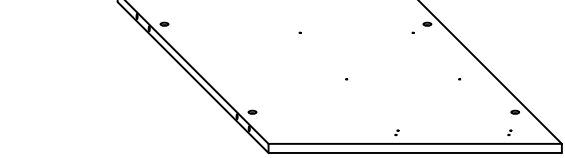
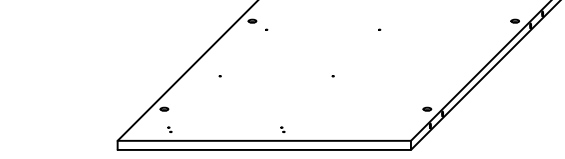
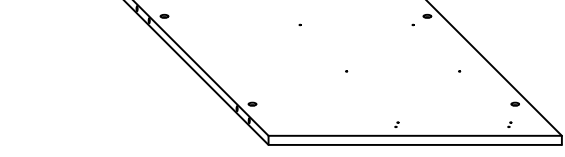
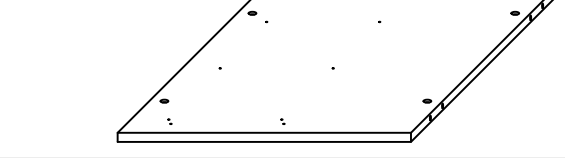
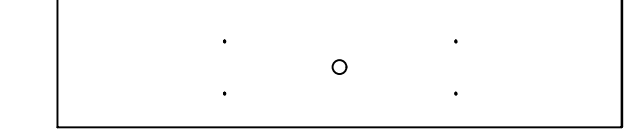
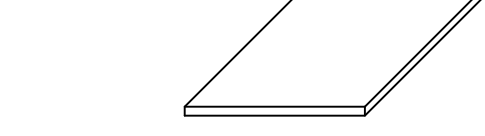
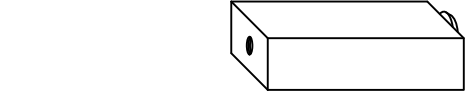
ASSEMBLY INSTRUCTION

HARDWARES LIST

ITEM	DESCRIPTION	DRAWING	QTY
J	CSK SCREW M3 x 10mm		32 PCS
K	JCBC SCREW M6 x 16MM		8 PCS
L	METAL LEG		4 PCS
M	PLASTIC STRIP (H SHAPE)		1 PCS
N	6/8" NAIL		30 PCS
Q	SHELF SUPPORT		4 PCS
T	JCBC SCREW M6 x 25MM		2 PCS

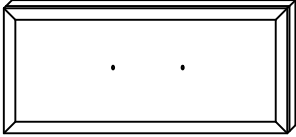
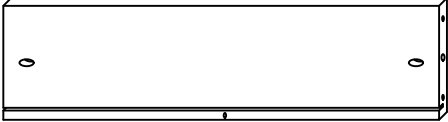
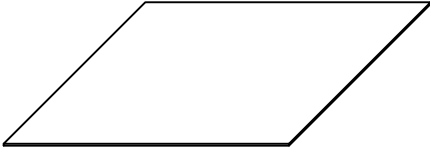
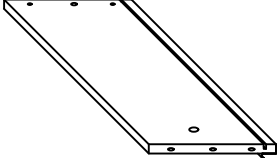
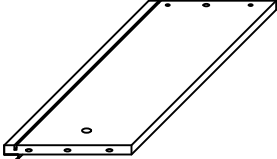
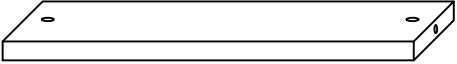
ASSEMBLY INSTRUCTION

PARTS LIST

ITEM	DESCRIPTION	DRAWING	QTY
1	TOP PANEL		1 PC
2	BOTTOM PANEL		1 PC
3	LEFT PANEL		1 PC
4	RIGHT PANEL		1 PC
5	MIDDLE PANEL - RIGHT		1 PC
6	MIDDLE PANEL - LEFT		1 PC
7	BACK PANEL		2 PCS
8	SHELF PANEL		1 PC
9	CENTRE SUPPORT LEG		2 PCS

ASSEMBLY INSTRUCTION

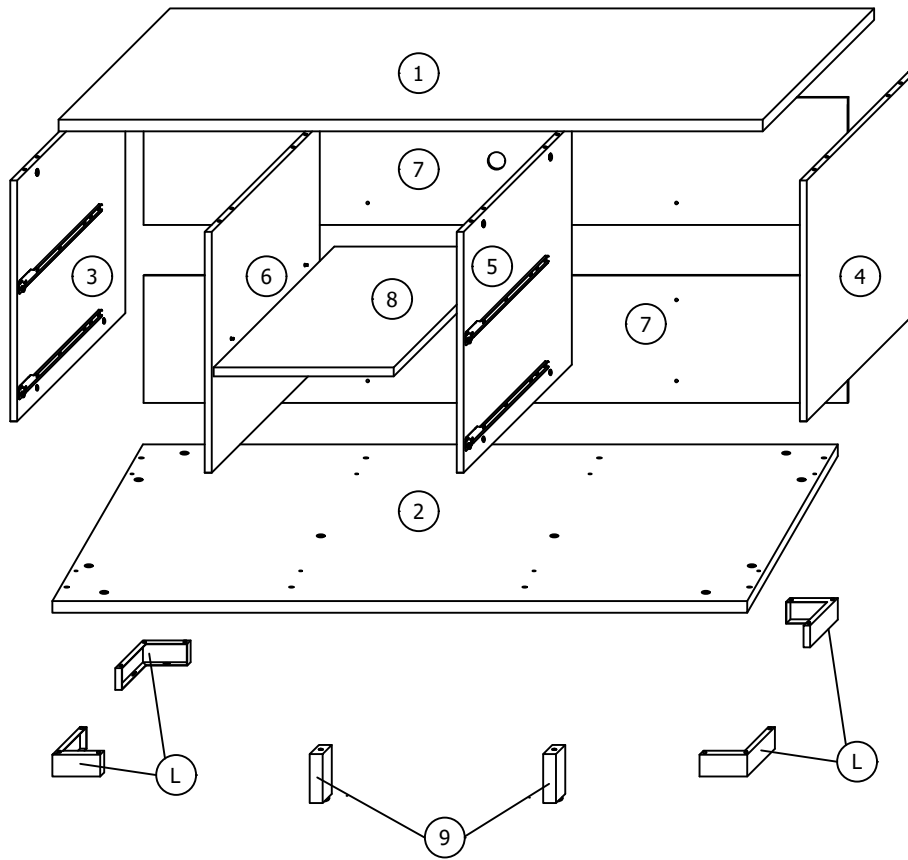
PARTS LIST

ITEM	DESCRIPTION	DRAWING	QTY
10	DRAWER HEAD		4 PCS
11	DRAWER BACK PANEL		4 PCS
12	DRAWER BOTTOM PANEL		4 PCS
19	DRAWER LEFT PANEL		4 PCS
20	DRAWER RIGHT PANEL		4 PCS
21	DRAWER BOTTOM SUPPORT RAIL		4 PCS

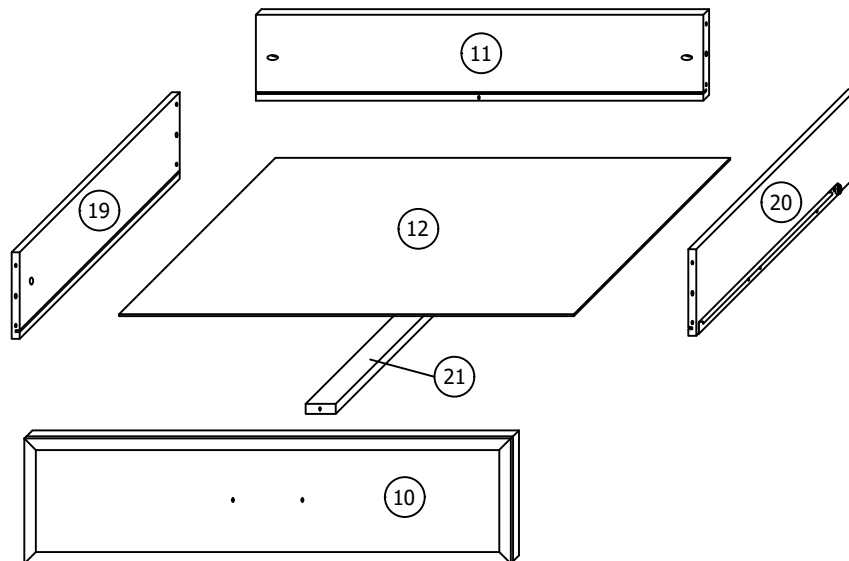
ASSEMBLY INSTRUCTION

PARTS ' LOCATION

TV CABINET x 1 PC



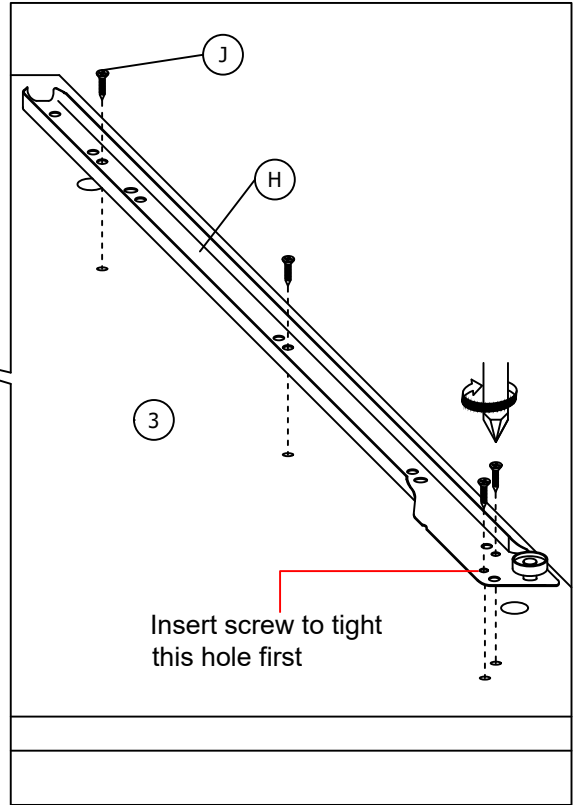
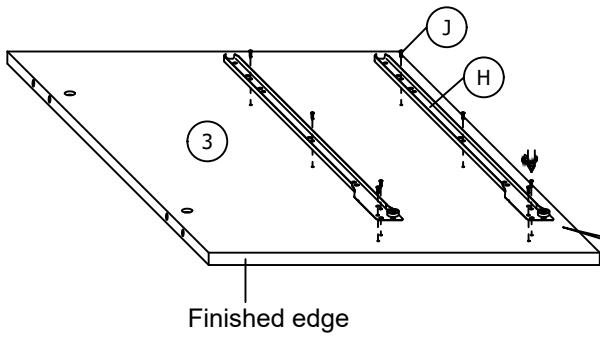
DRAWER x 4 PCS



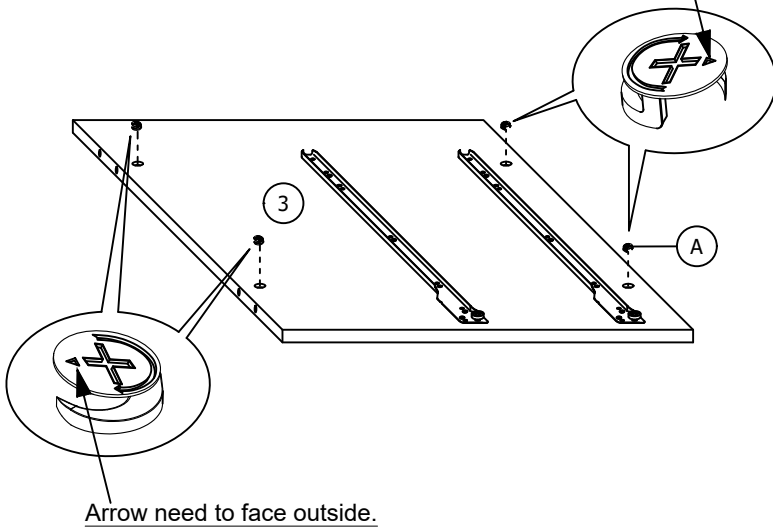
ASSEMBLY INSTRUCTION

STEP 1

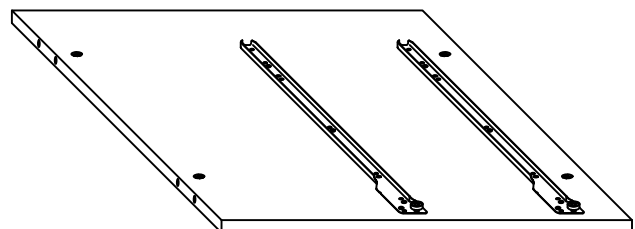
Fix the 2 pieces (H) to the (3) by using 8 pieces (J) and Insert 4 pieces (A) as shown.



Arrow need to face outside.



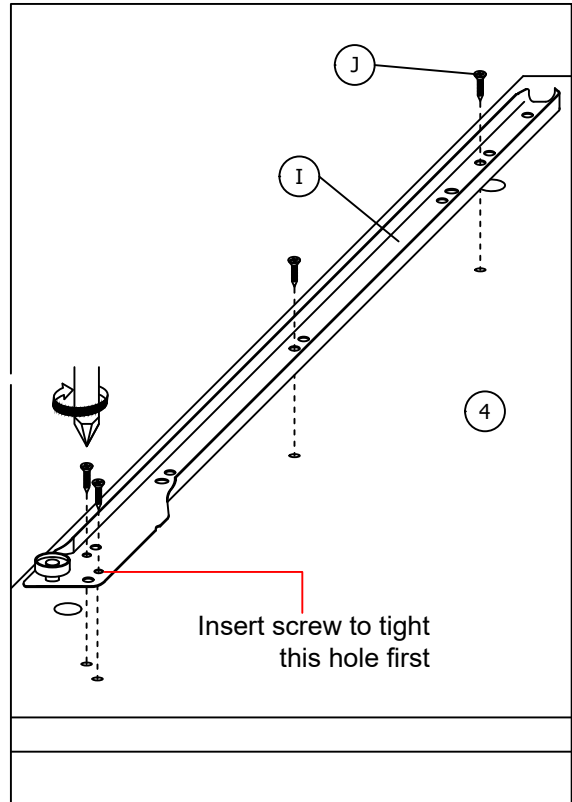
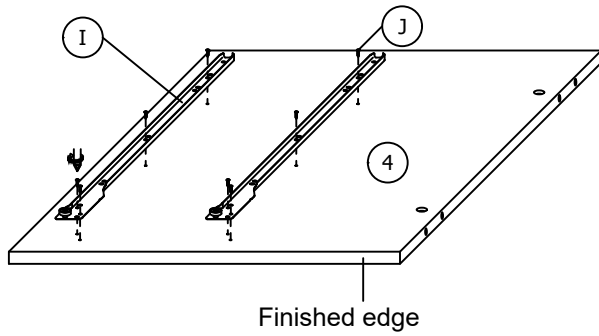
Assembled looks



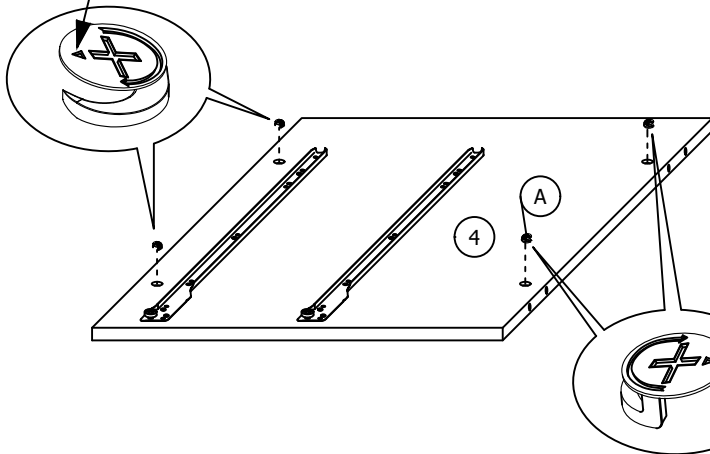
ASSEMBLY INSTRUCTION

STEP 2

Fix the 2 pieces (I) to the (4) by using 8 pieces (J) and Insert 4 pieces (A) as shown.



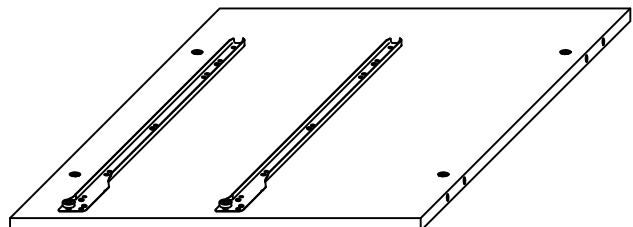
Arrow need to face outside.



Insert screw to tight this hole first

Arrow need to face outside.

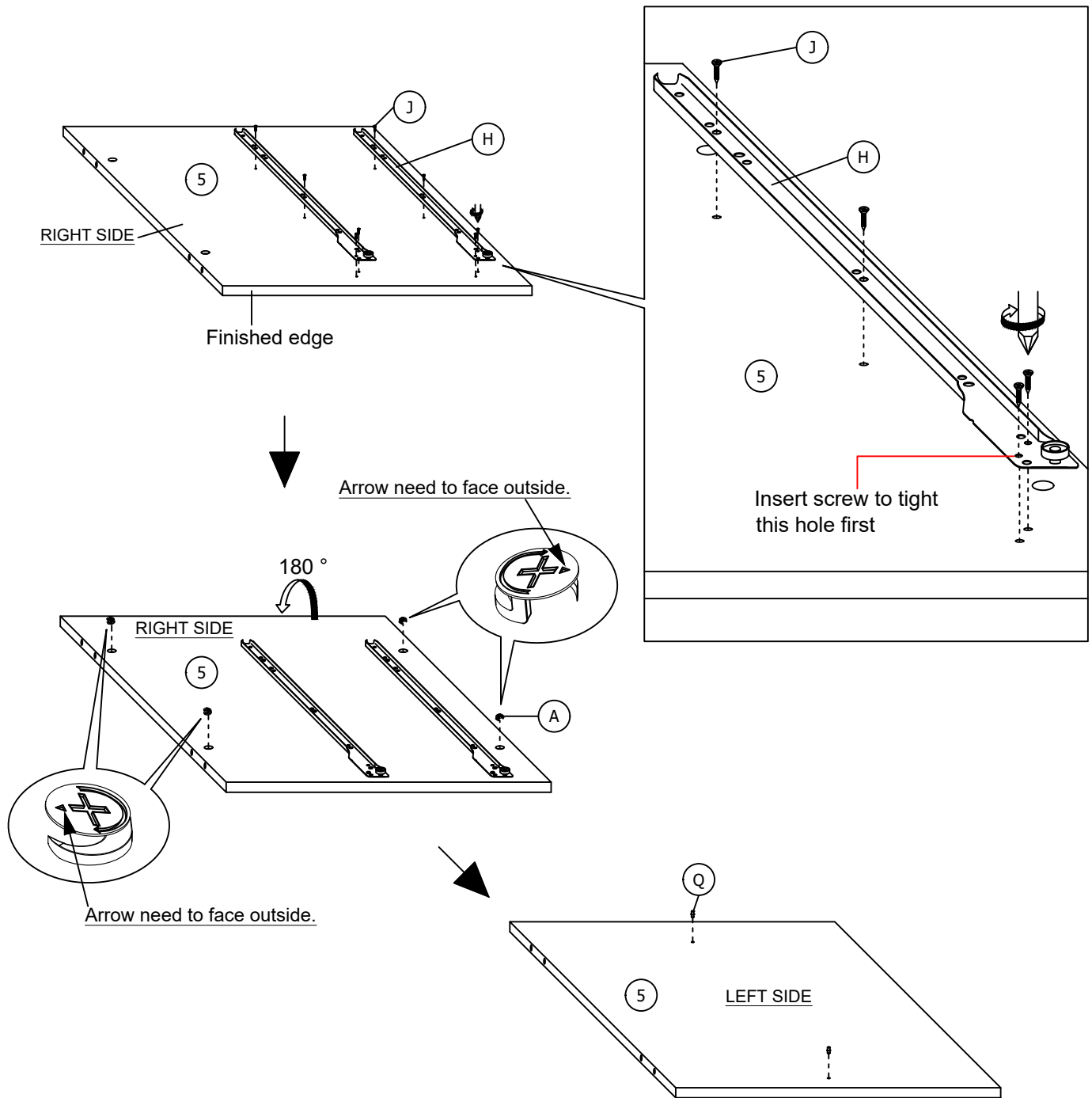
Assembled looks



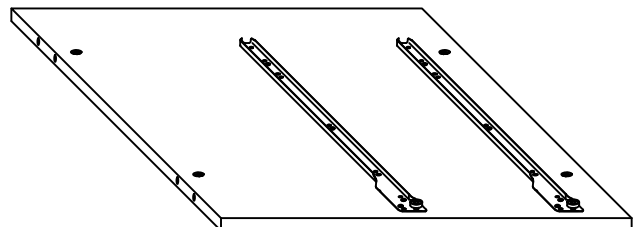
ASSEMBLY INSTRUCTION

STEP 3

Fix the 2 pieces (H) to the right side of (5) by using 8 pieces (J) and Insert 4 pieces (A). Then insert 2 pieces (Q) to the left side as shown.



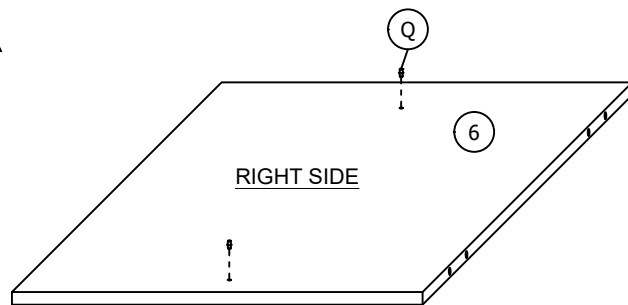
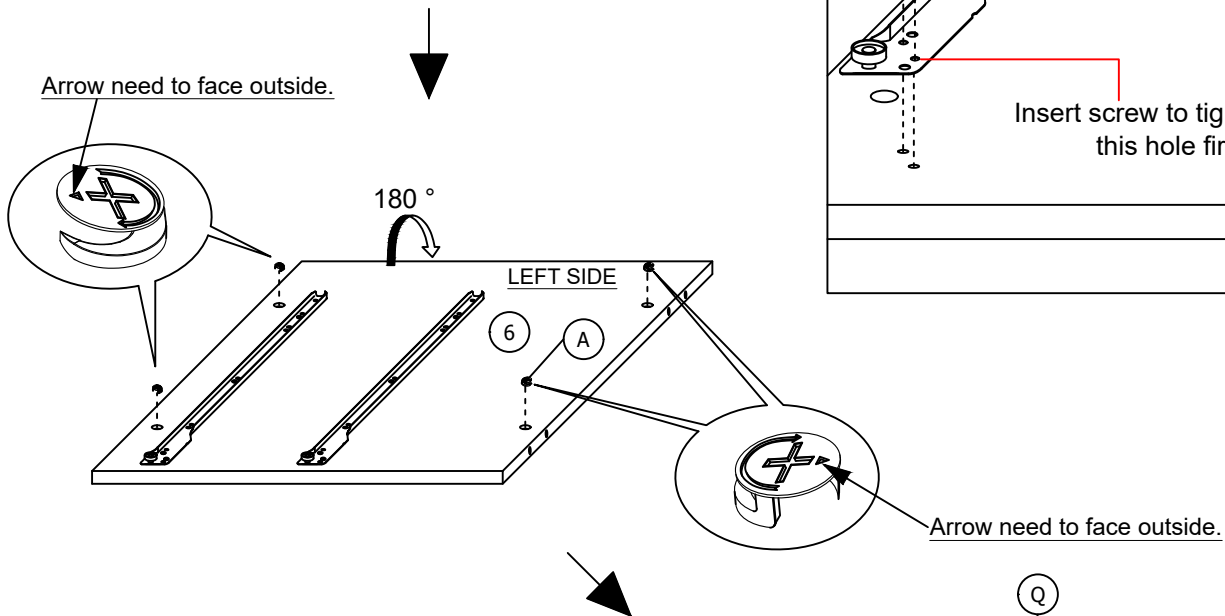
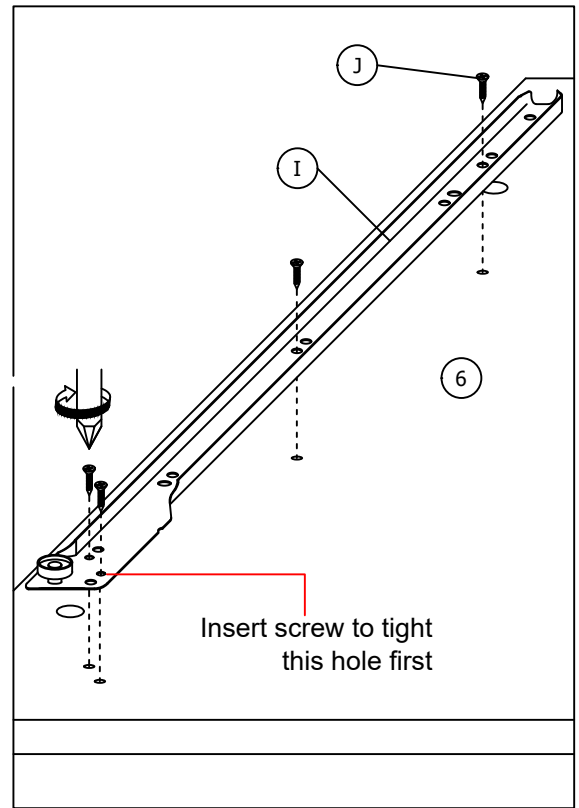
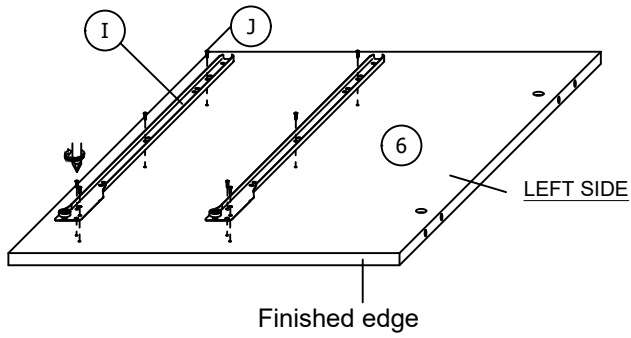
Assembled looks



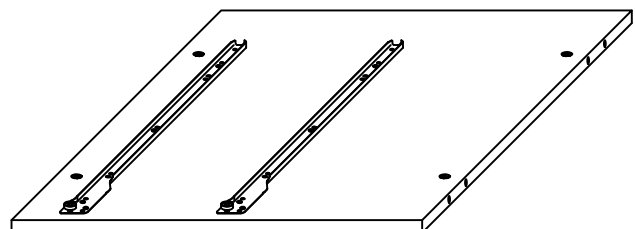
ASSEMBLY INSTRUCTION

STEP 4

Fix the 2 pieces (I) to the left side of (6) by using 8 pieces (J) and Insert 4 pieces (A). Then insert 2 pieces (Q) to the right side as shown.



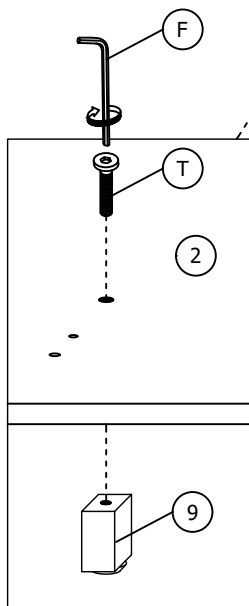
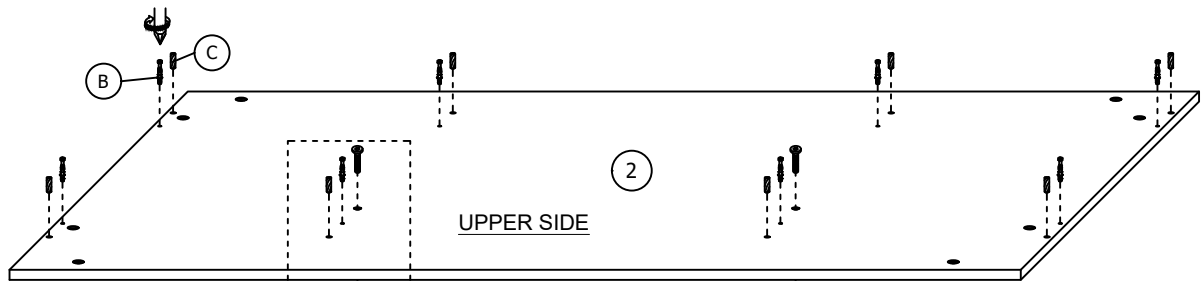
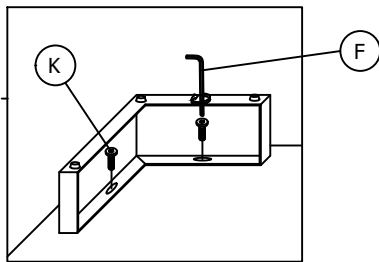
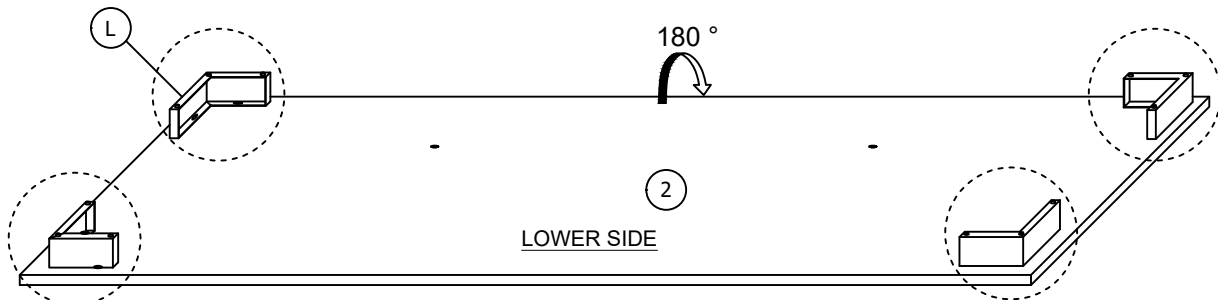
Assembled looks



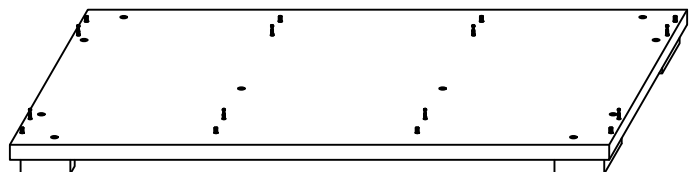
ASSEMBLY INSTRUCTION

STEP 5

Insert the 8 pieces (K) to combine 4 pieces (L) to the (2) . Insert 8 pieces (B) and (C) to the (2) , then insert the (T) to connect (9) to the (2) as shown.



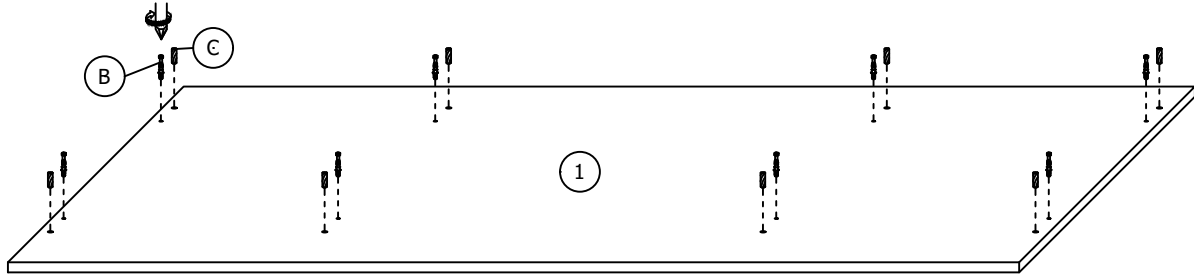
Assembled looks



ASSEMBLY INSTRUCTION

STEP 6

Insert 8 pieces (B) and (C) to the (1) as shown.

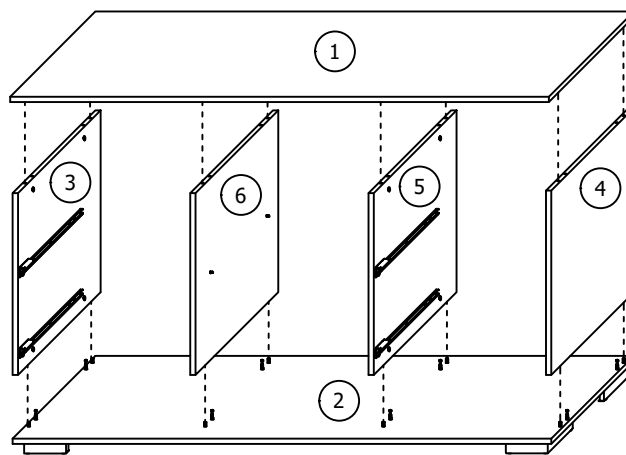


Assembled looks

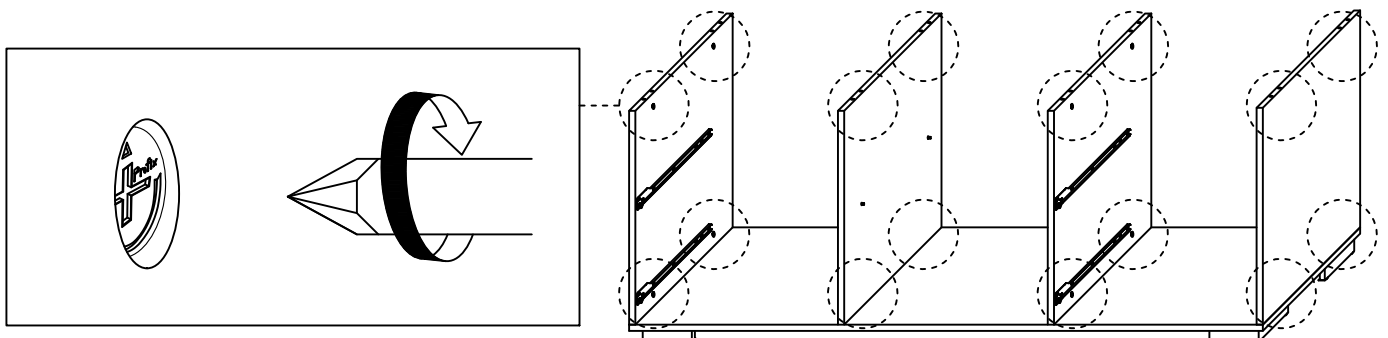


STEP 7

Combine the (1),(2),(3),(4),(5) and (6) then tighten the remaining 16 pieces (A)-(pre insert in step 1 to 6) as shown.



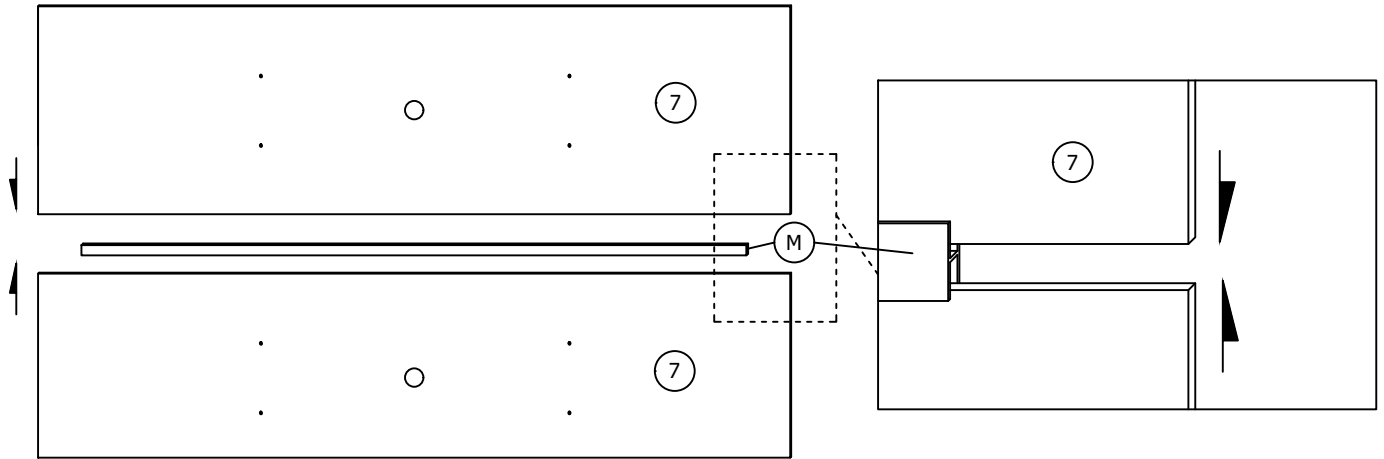
INSIDE VIEW



ASSEMBLY INSTRUCTION

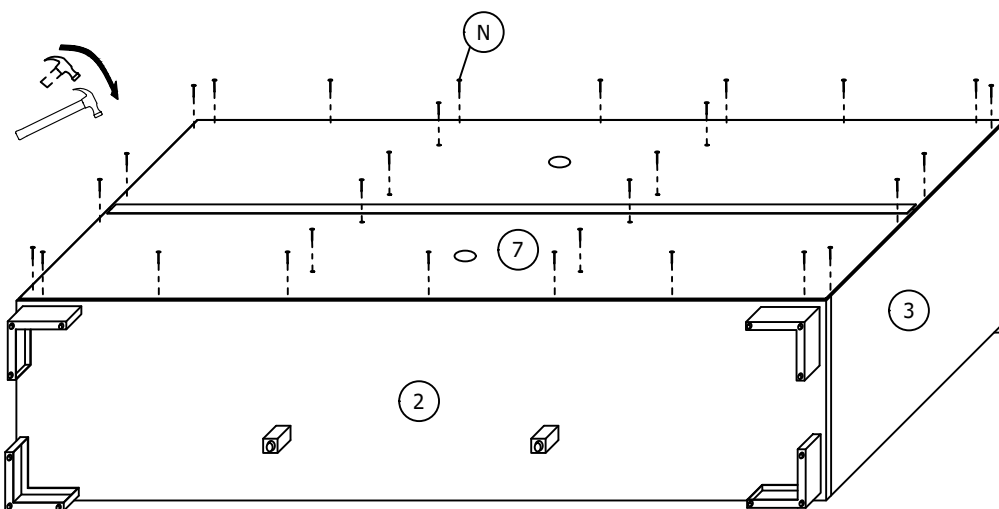
STEP 8

Put the (7) to the gap of (M) as shown. Direction of the side with colored paper must be the same.



STEP 9

Insert the 30 pieces (N) to fix the (7) as shown, color paper facing to inside.

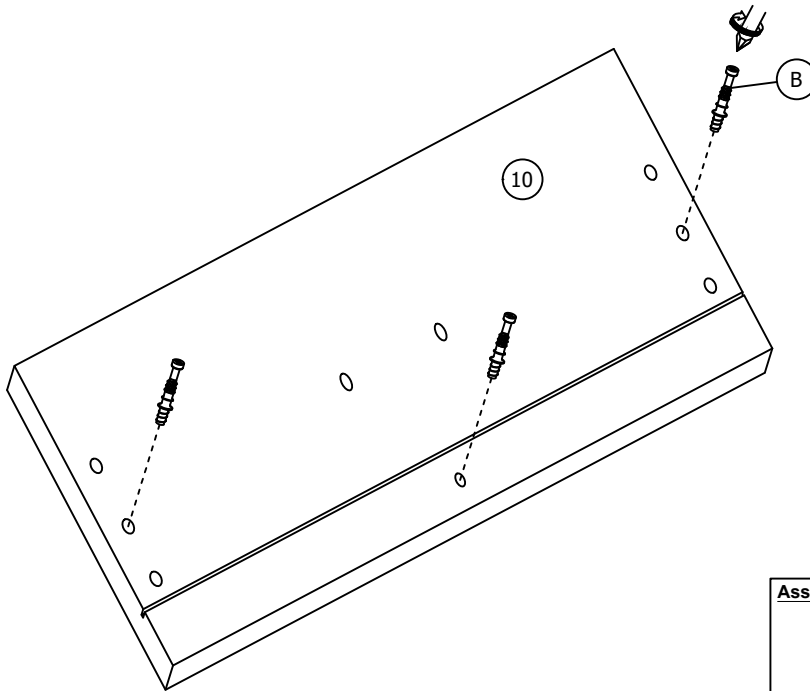


ASSEMBLY INSTRUCTION

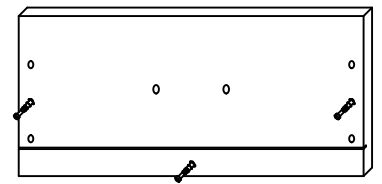
STEP 10

Insert 3 pieces (B) to the (10) as shown.

x 4



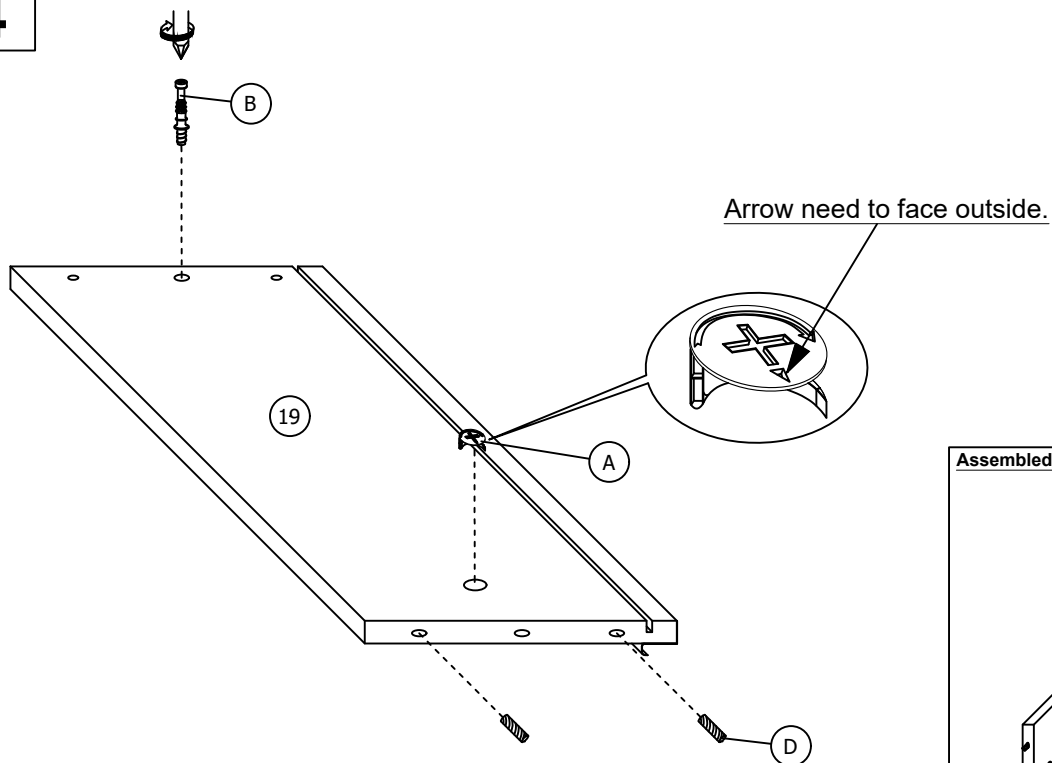
Assembled looks



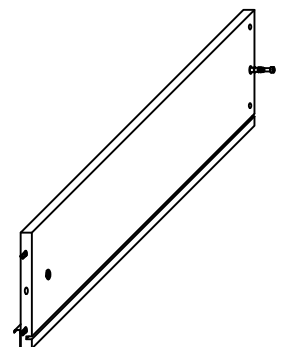
STEP 11

Insert 1 piece (A),(B) and 2 pieces (D) to (19) as shown.

x 4



Assembled looks

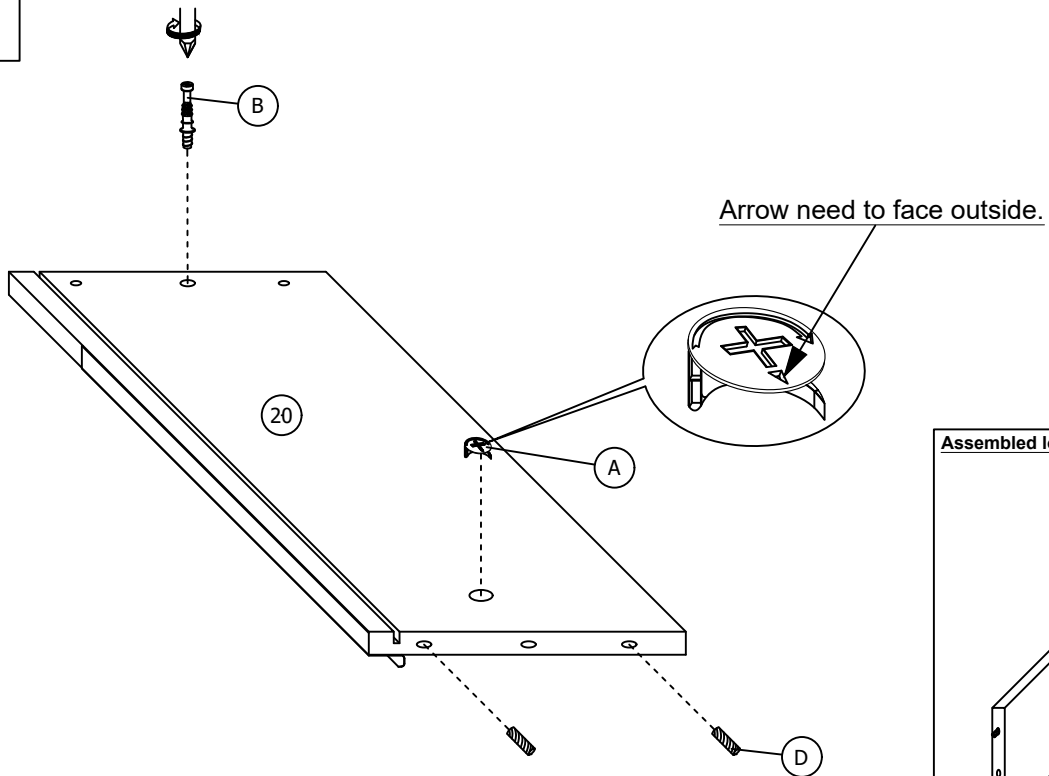


ASSEMBLY INSTRUCTION

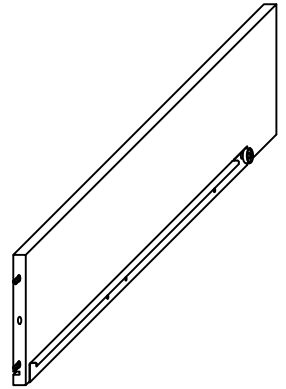
STEP 12

Insert 1 piece (A),(B) and 2 pieces (D) to (20) as shown.

x 4



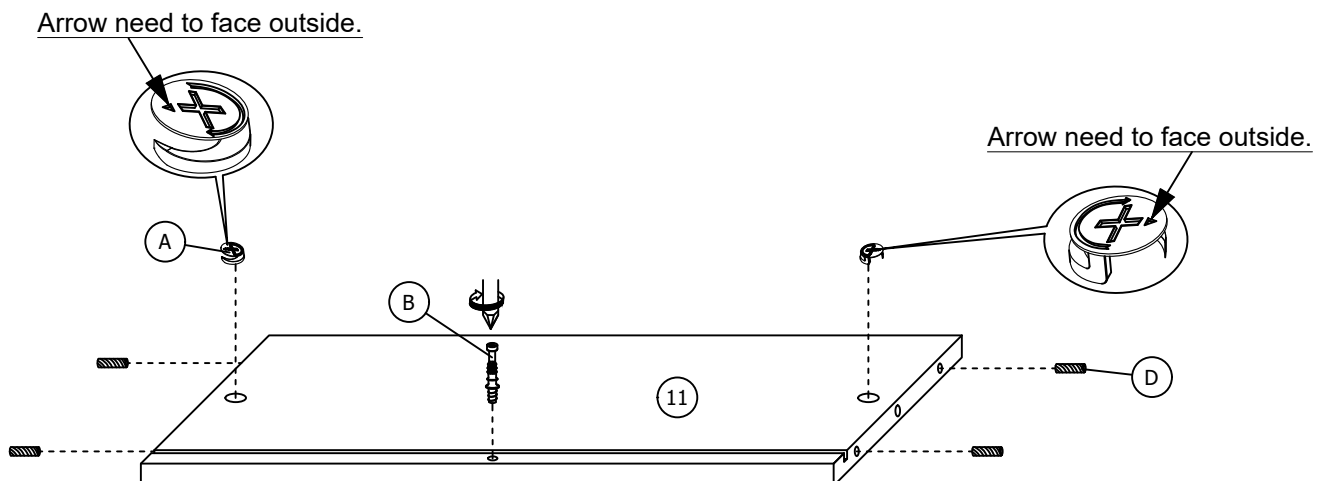
Assembled looks



STEP 13

Insert 2 pieces (A) , 1 piece (B) and 4 pieces (D) to (11) as shown.

x 4



Assembled looks



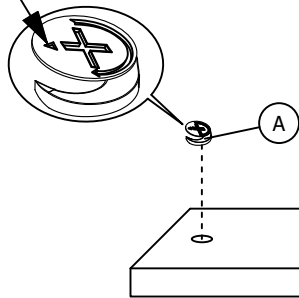
ASSEMBLY INSTRUCTION

STEP 14

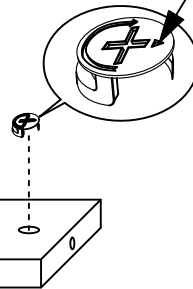
Insert 2 pieces (A) to (21) as shown.

x 4

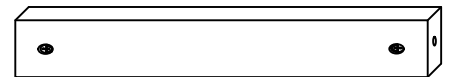
Arrow need to face outside.



Arrow need to face outside.



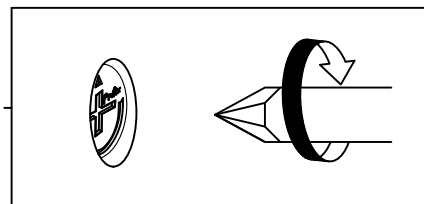
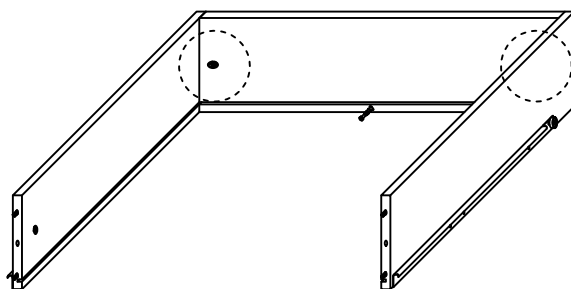
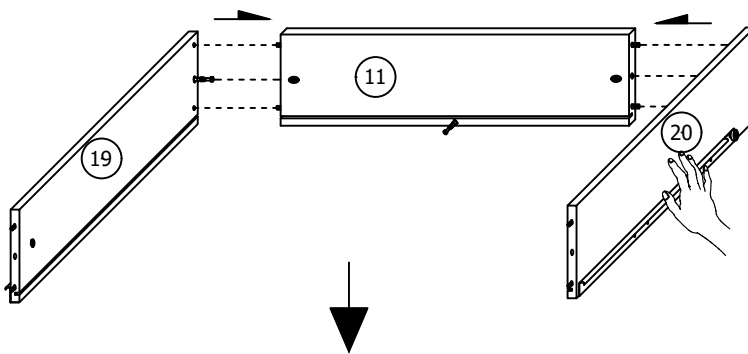
Assembled looks



STEP 15

Combine the (19) and (20) to the (11). Then tighten the 2 pieces (A)-(pre-insert in step 13) as shown.

x 4

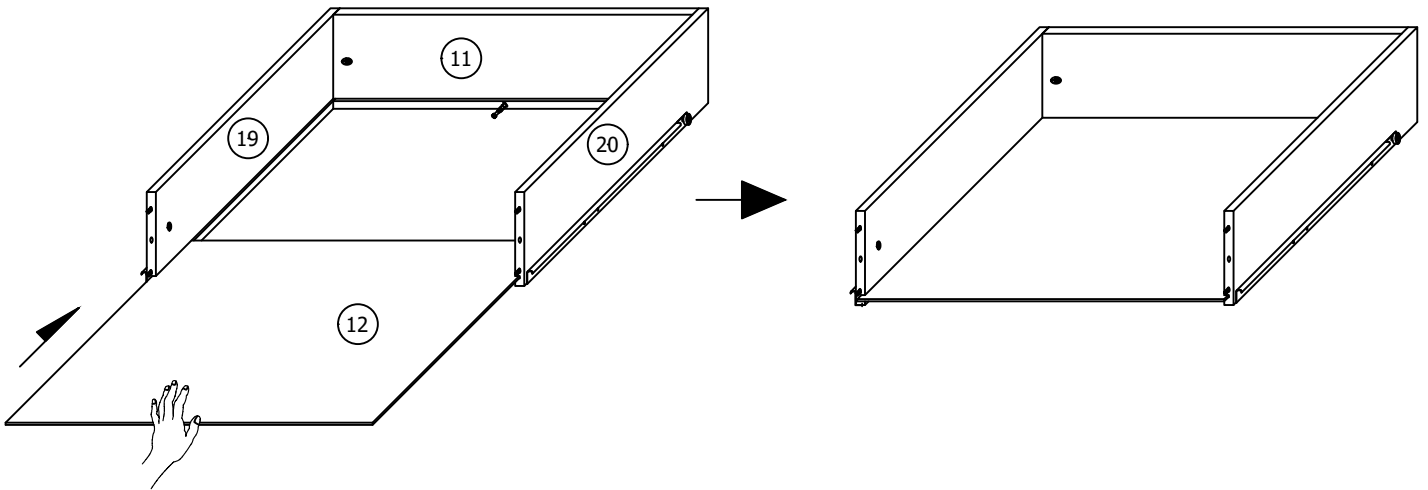


ASSEMBLY INSTRUCTION

STEP 16

Put the (12) into the gap of (19),(20) and (11) as shown.

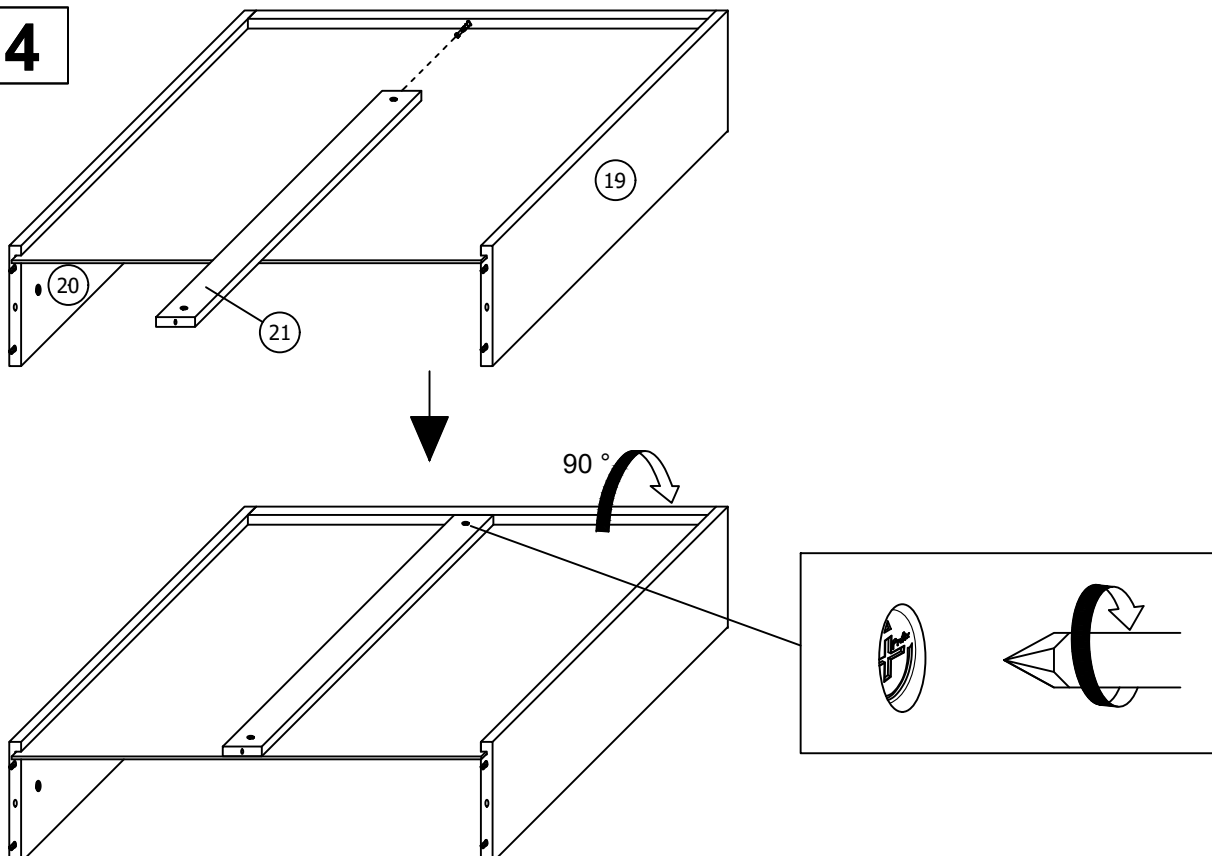
x 4



STEP 17

Combine the (21) to the (11) then tighten the 1 piece (A)-(pre-insert in step 14) as shown.

x 4

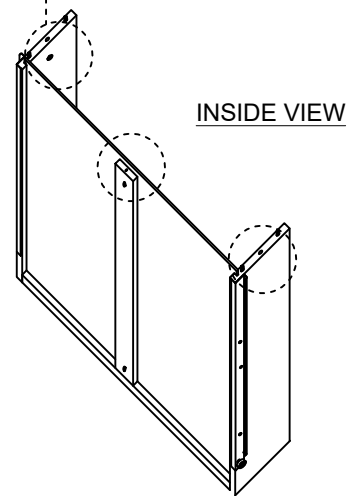
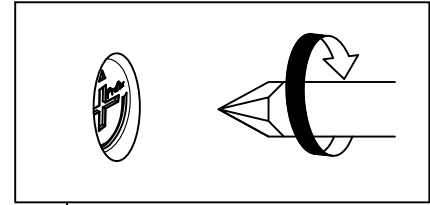
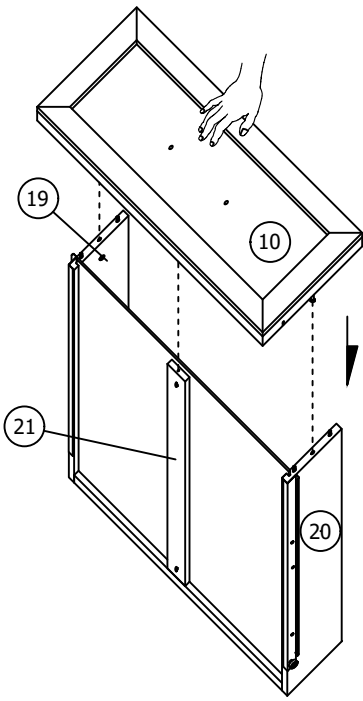


ASSEMBLY INSTRUCTION

STEP 18

Combine the (10) to the drawer frame. Then tighten the 3 pieces (A)-(pre-insert in step 11,12 and 14) as shown.

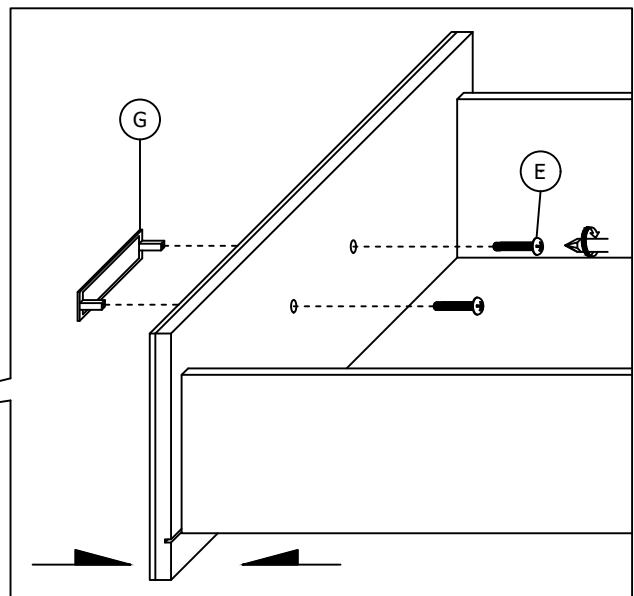
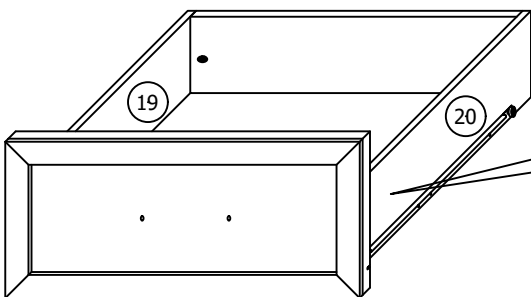
x 4



STEP 19

Insert 2 pieces (E) fix the (G) as shown.

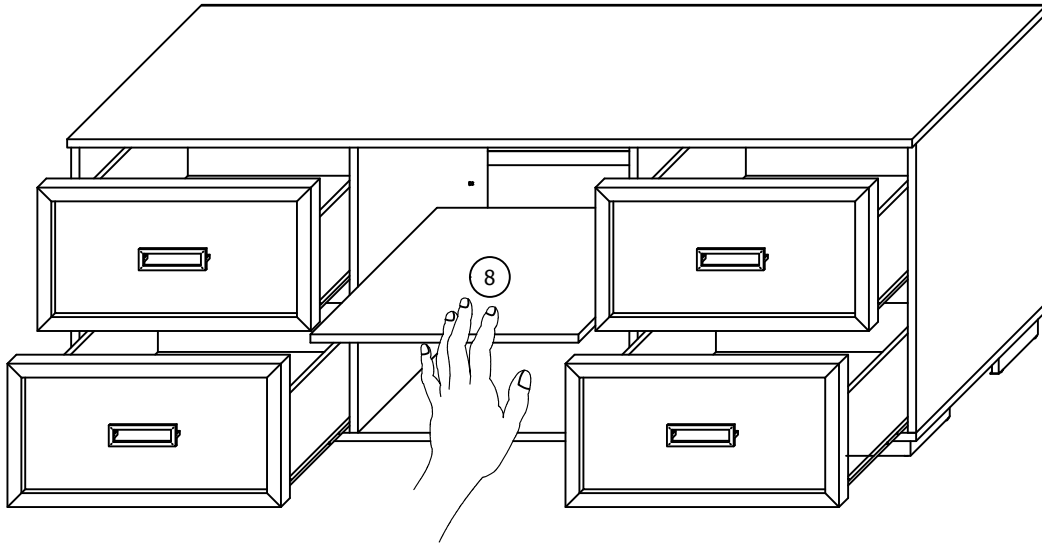
x 4



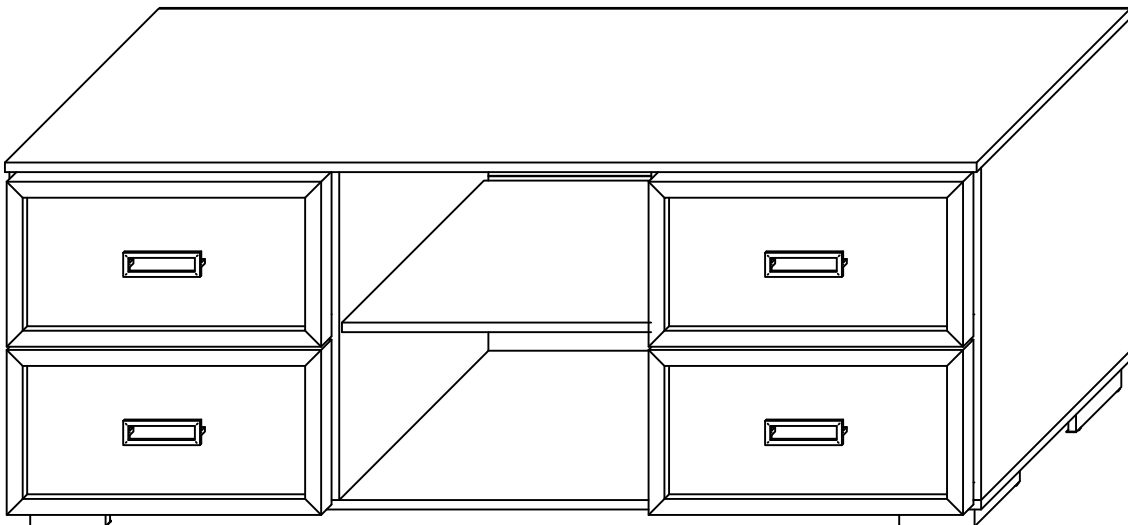
ASSEMBLY INSTRUCTION

STEP 20

Align the position then push the 4 pieces drawer and (8) inside exactly as shown.



STEP 21



ASSEMBLY COMPLETED