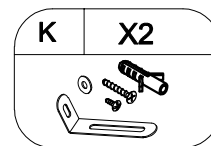
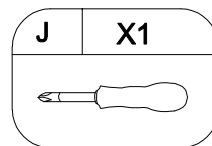
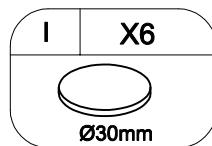
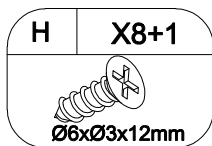
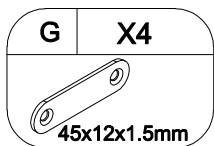
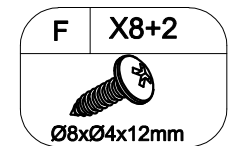
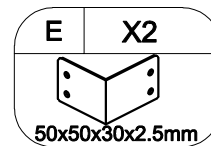
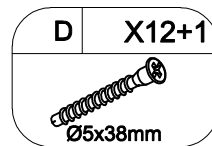
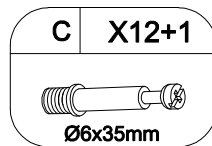
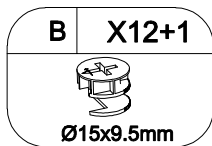
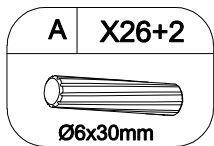
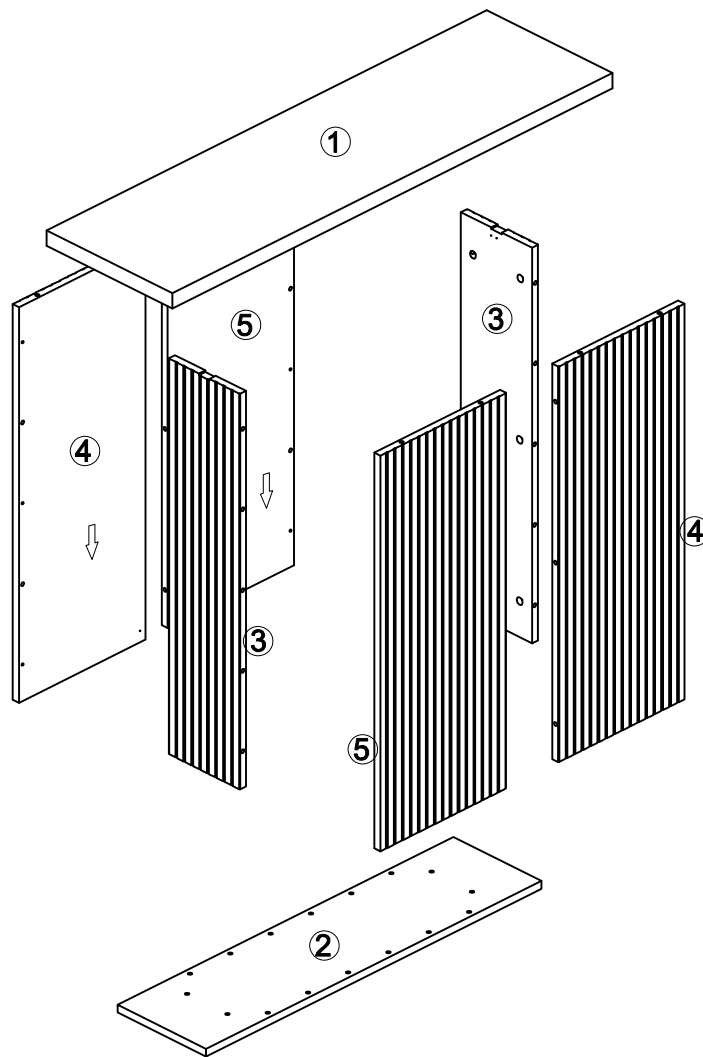
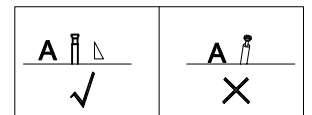
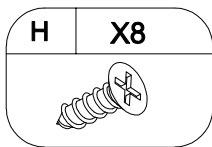
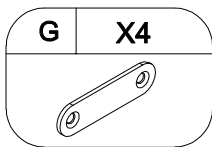
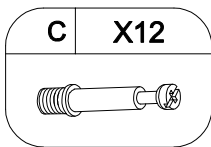
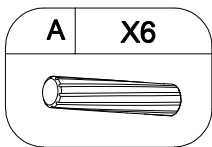
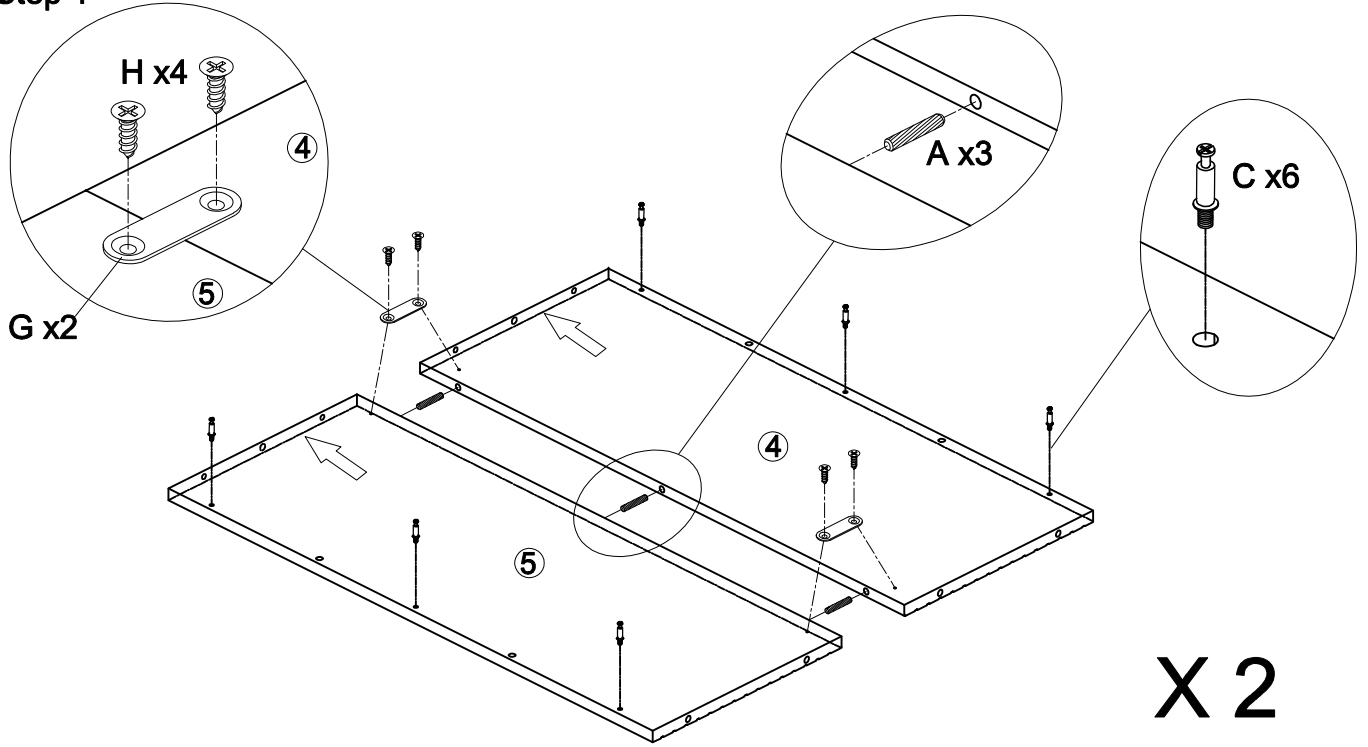


ASSEMBLY INSTRUCTION

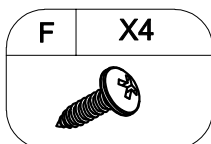
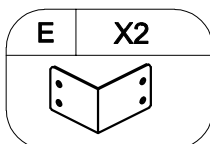
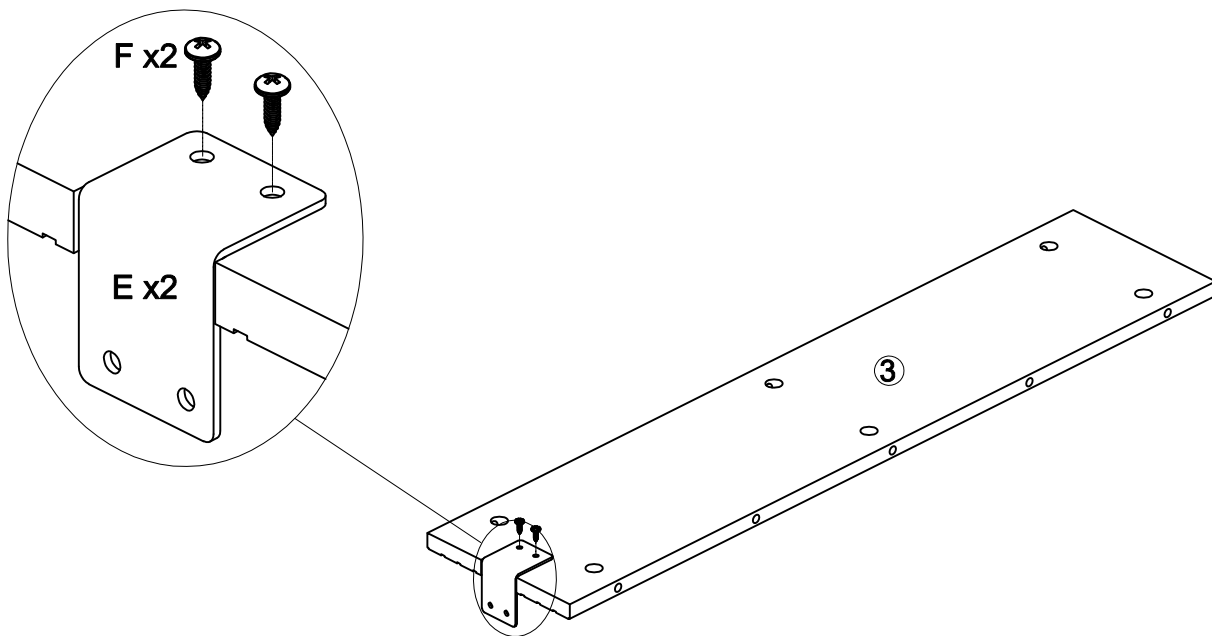
Packaging Details



Step 1

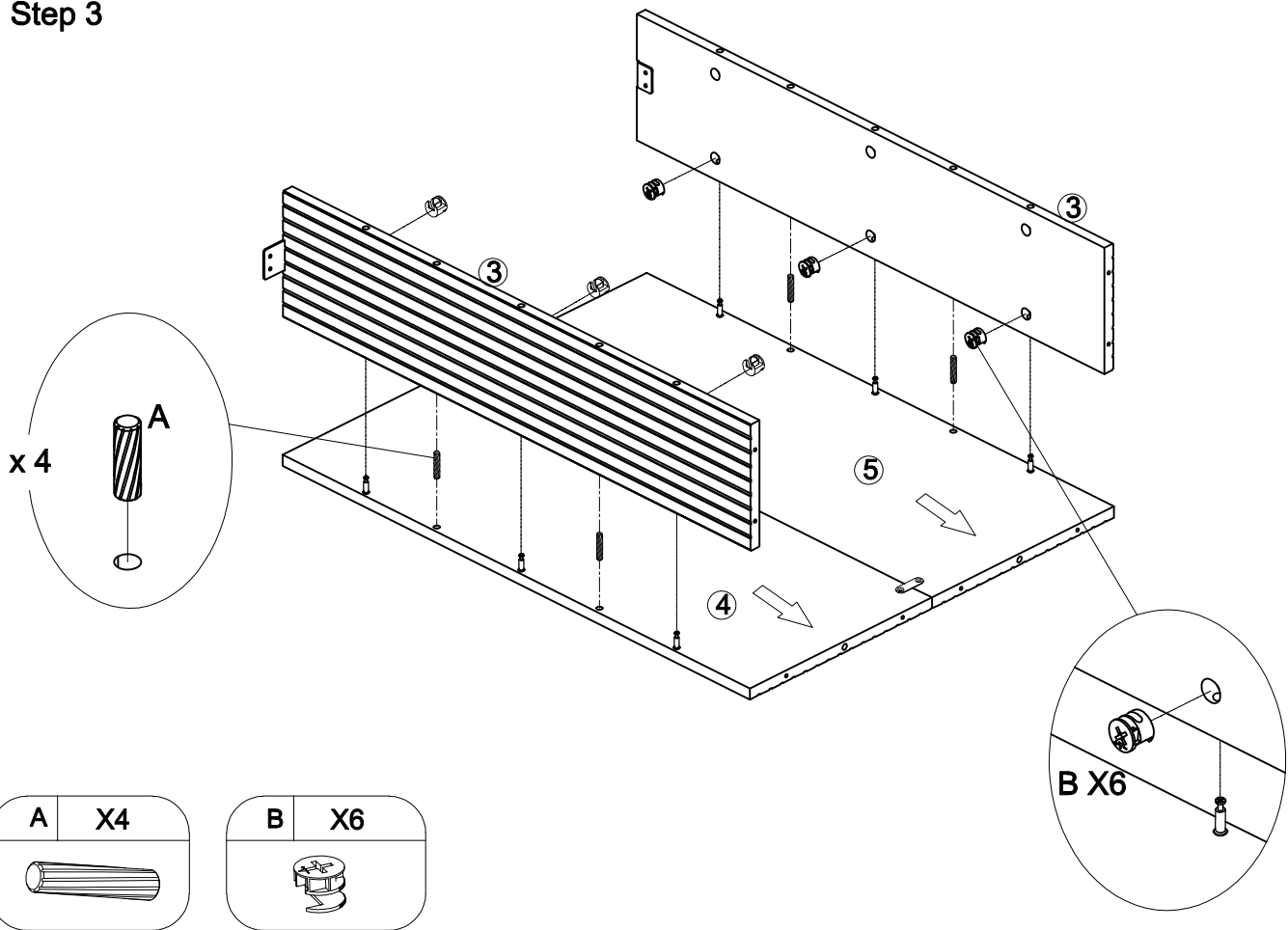


Step 2

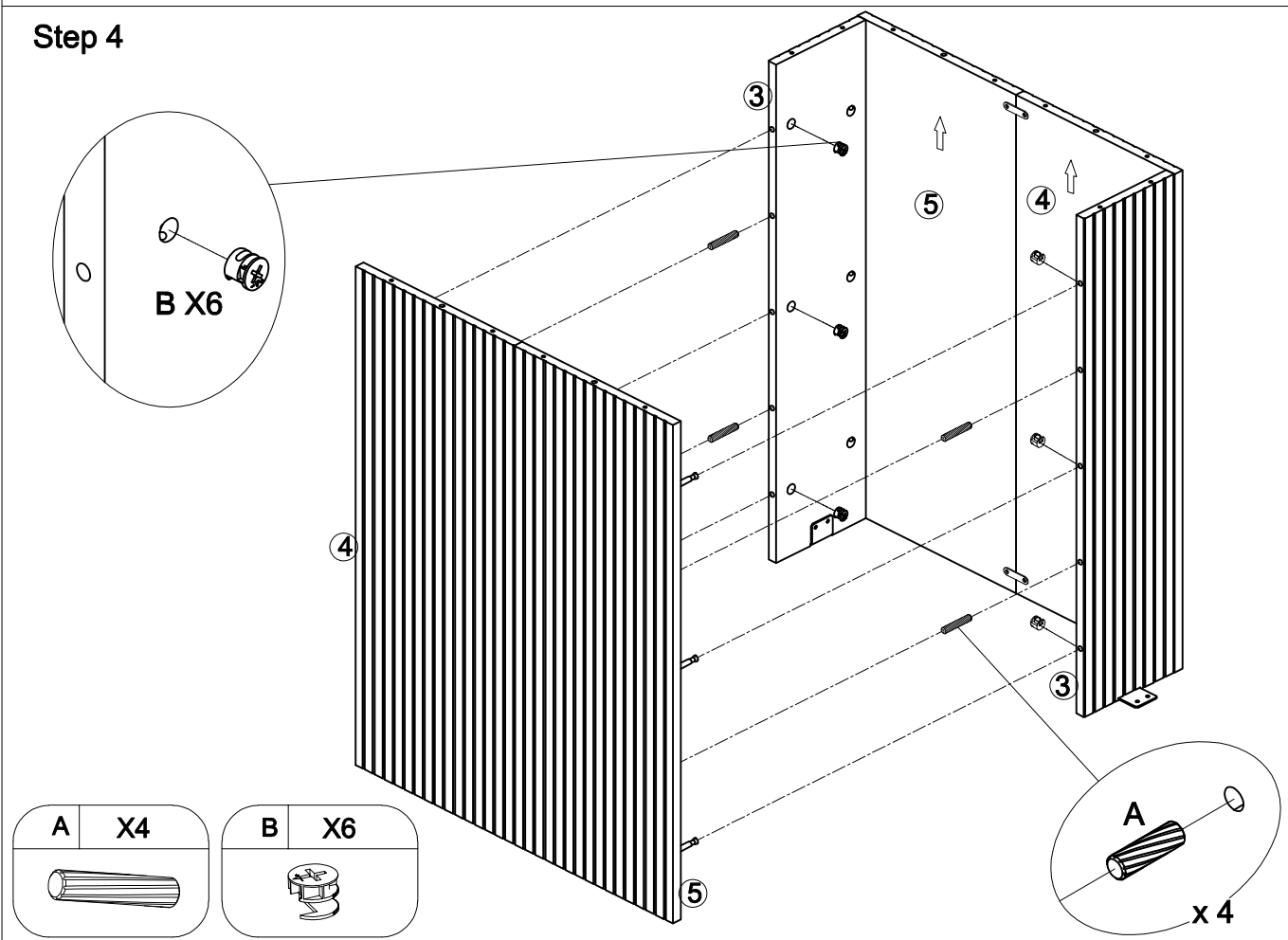


X 2

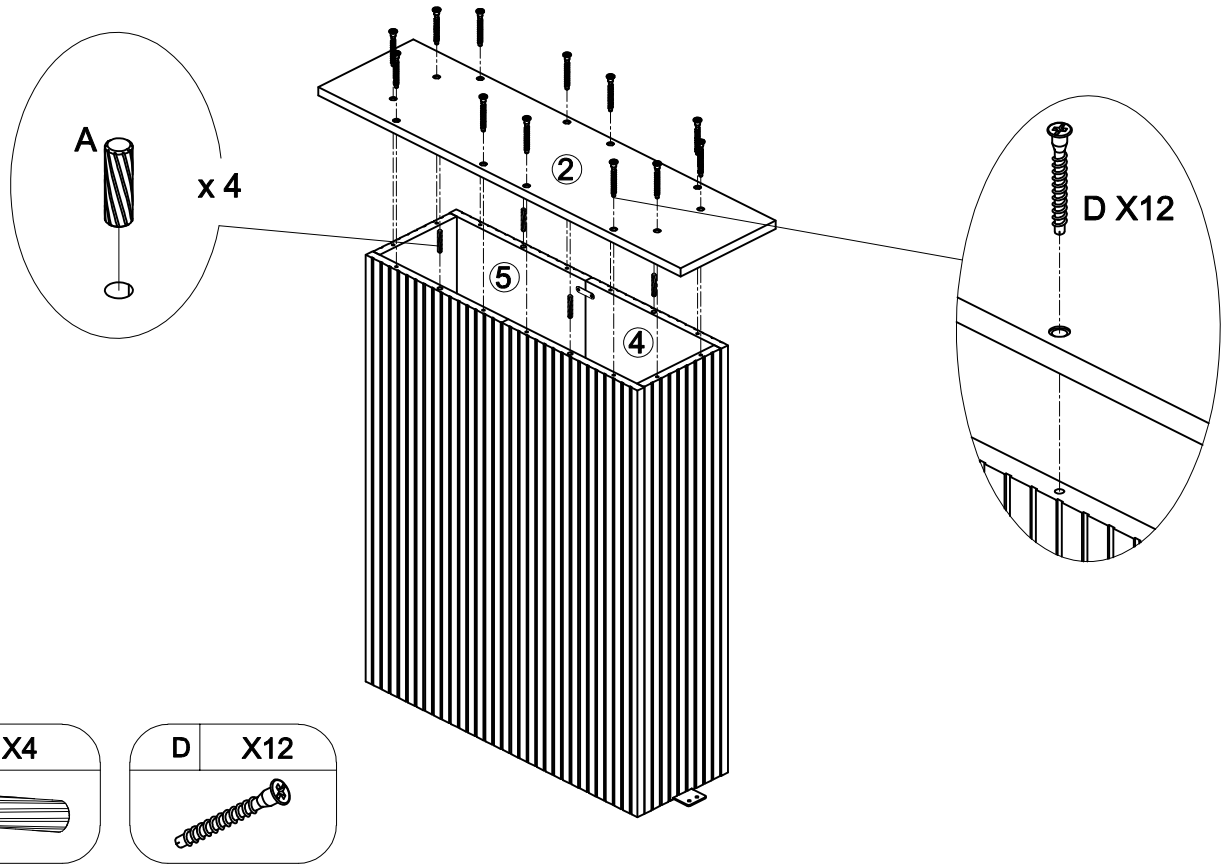
Step 3



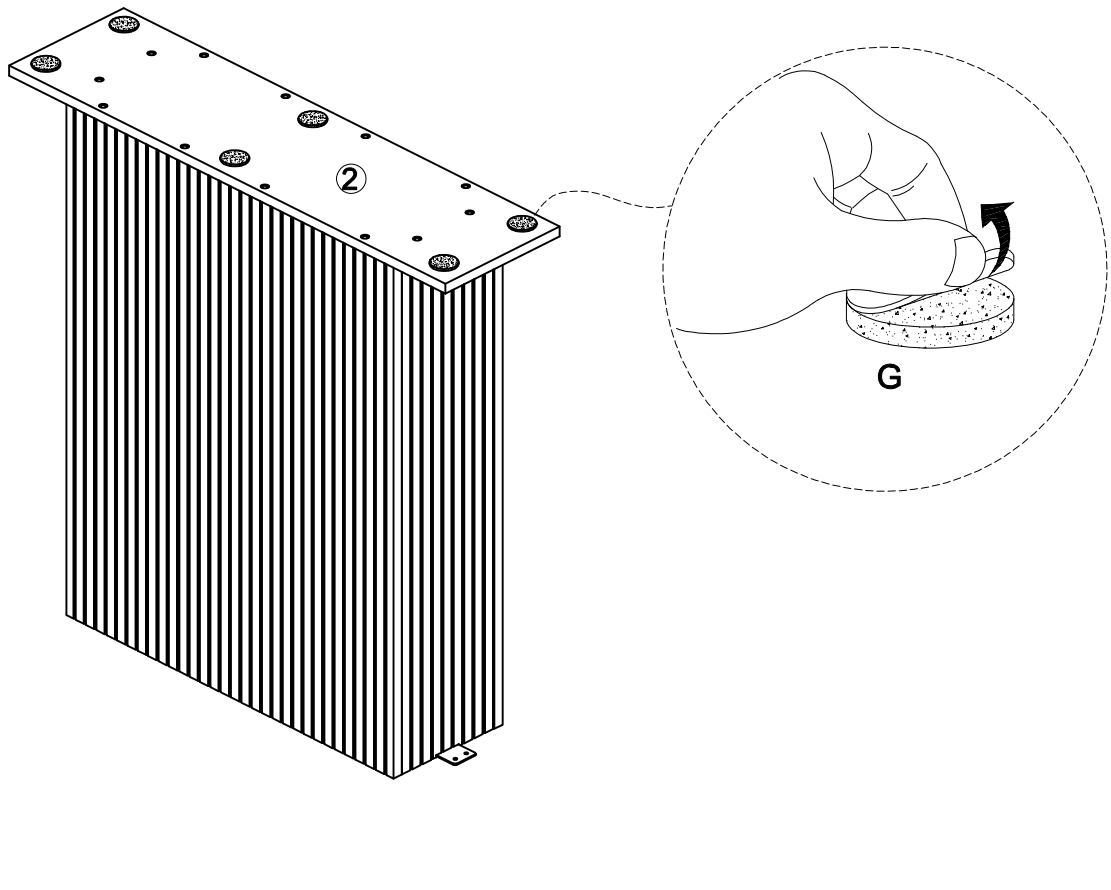
Step 4



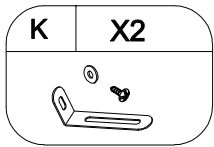
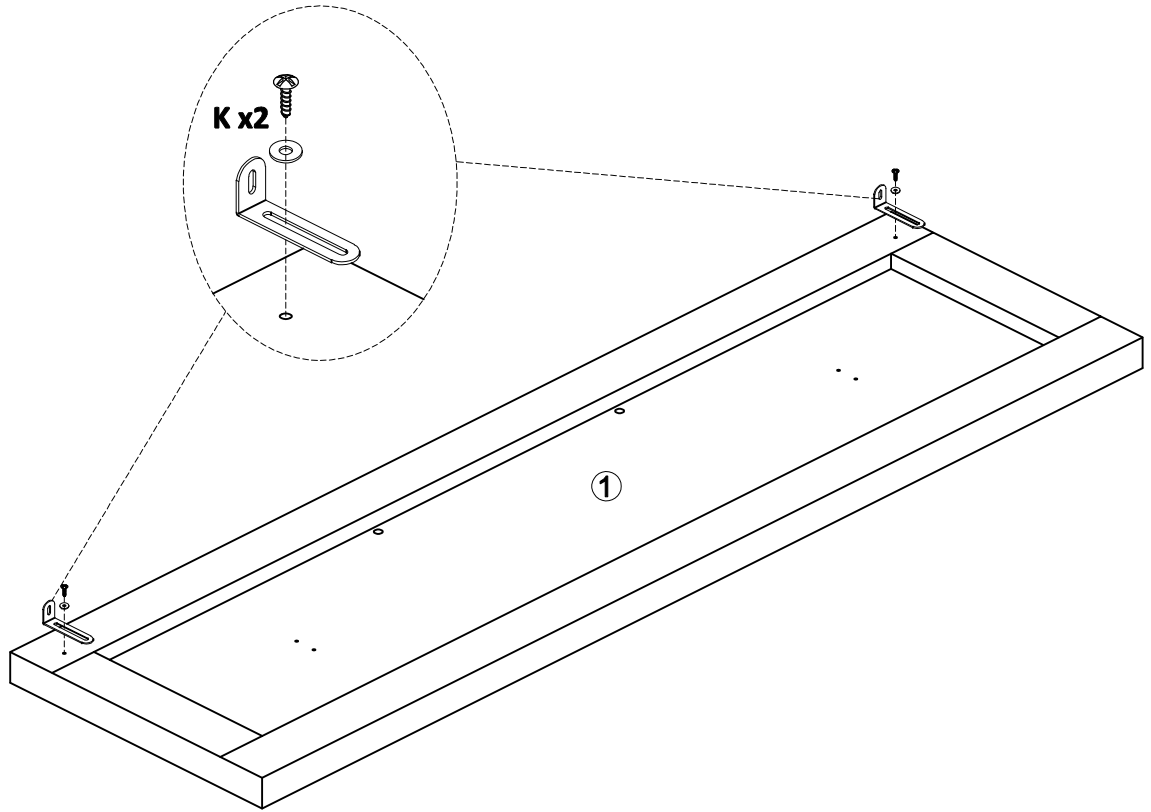
Step 5



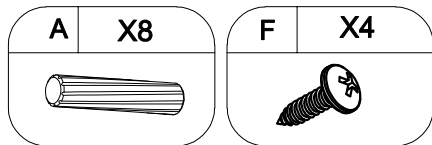
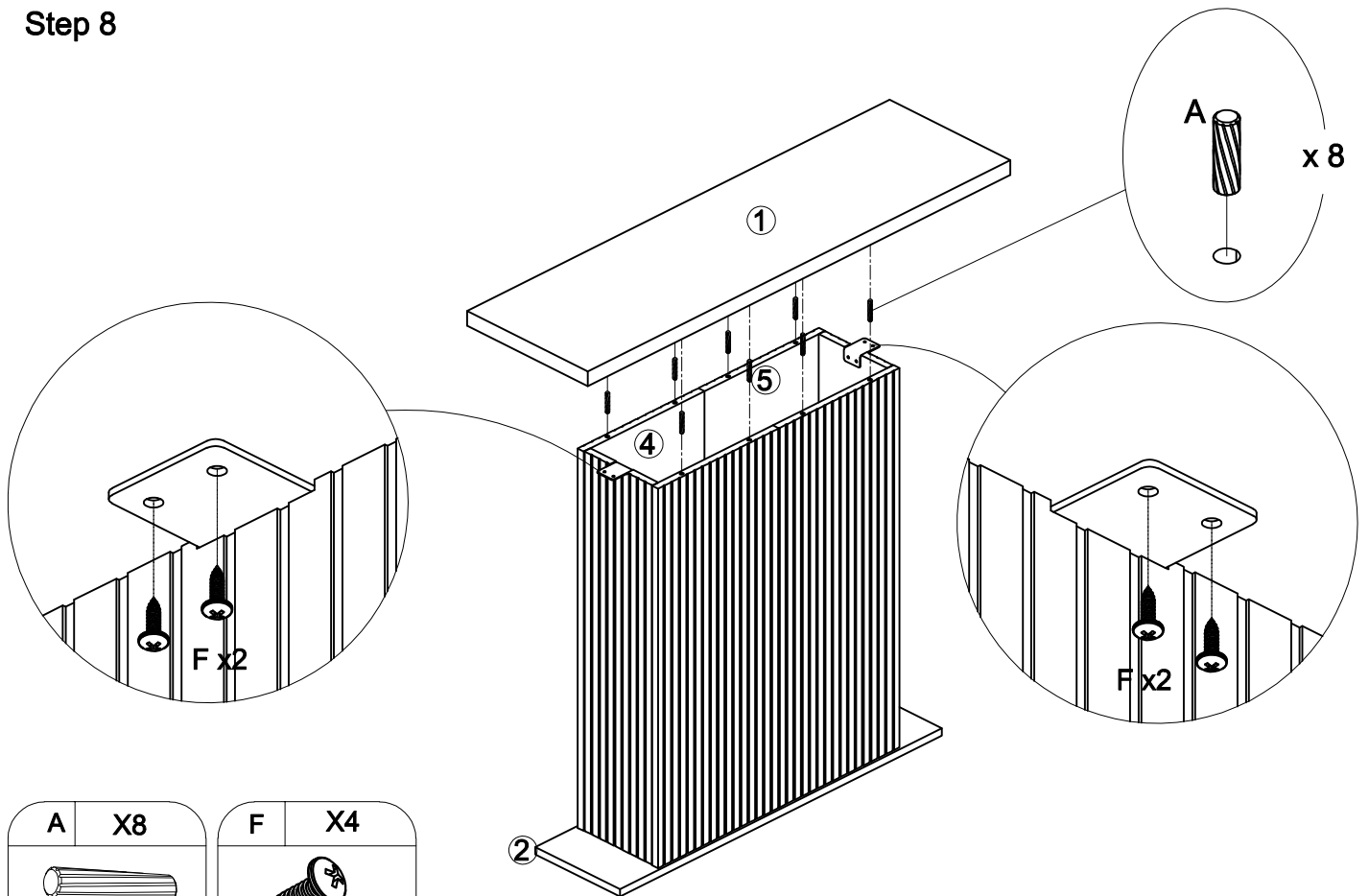
Step 6



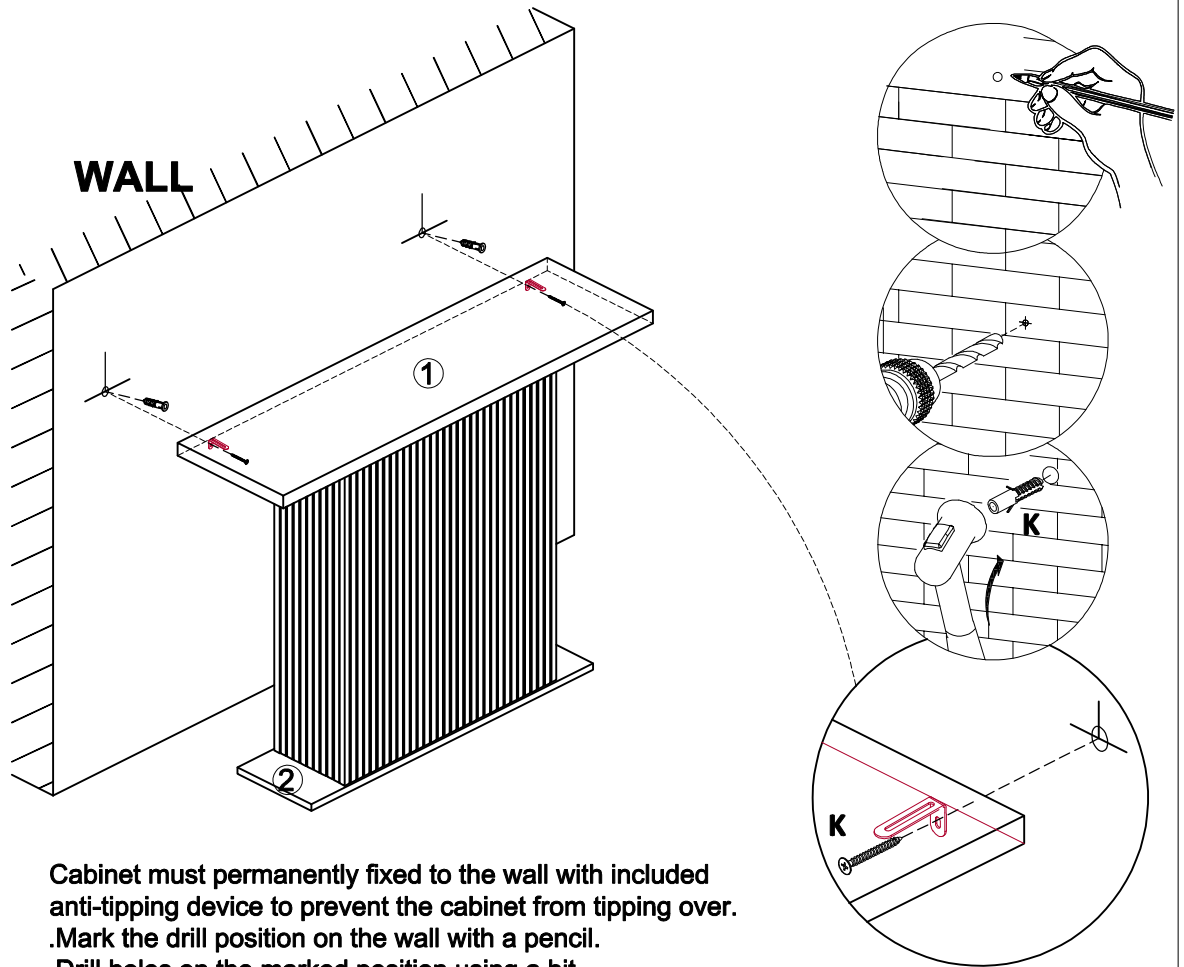
Step 7



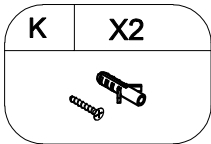
Step 8



Step 9



Cabinet must permanently fixed to the wall with included anti-tipping device to prevent the cabinet from tipping over.
.Mark the drill position on the wall with a pencil.
.Drill holes on the marked position using a bit.
Gently insert the wall anchor (K) into the drilled hole with the help of a hammer.
.Fixed the cabinet to the wall with provided screws (K).



Step 10

