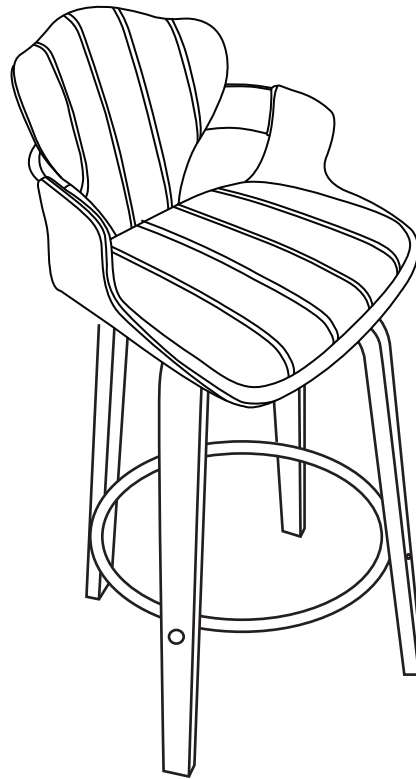
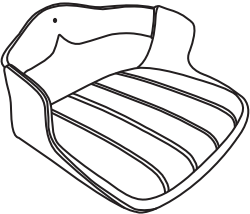

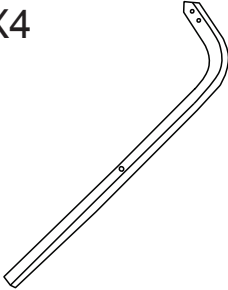
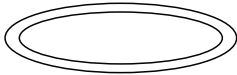
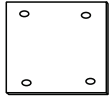
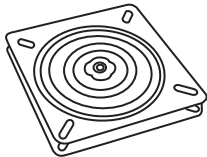



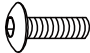



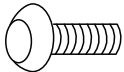
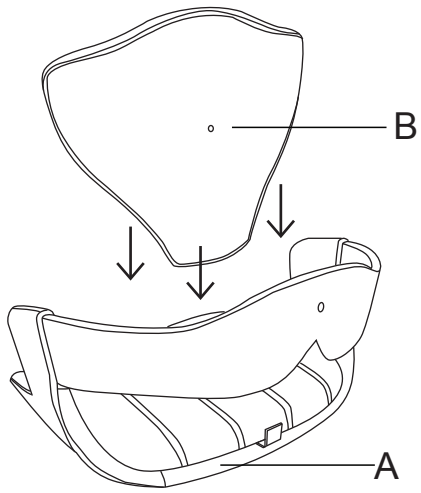


ITEM NO.: 8535B

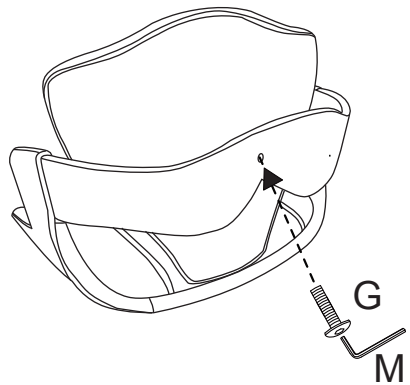


<p>AX1</p> 	<p>BX1</p> 	<p>CX4</p> 	<p>DX1</p> 	<p>EX1</p> 	<p>FX1</p> 		
<p>GX1+1Ext</p>  <p>M6X35mm</p>	<p>HX4+1Ext</p>  <p>M6X30mm</p>	<p>IX2+1Ext</p>  <p>M6X25mm</p>	<p>JX10+1Ext</p>  <p>M6X20mm</p>	<p>KX2</p>  <p>RUBBER WASHER</p>	<p>LX4+2Ext</p>  <p>PLASTIC CAP</p>	<p>MX1</p>  <p>M6</p>	<p>NX1</p>  <p>SPARE FOOTNAIL</p>

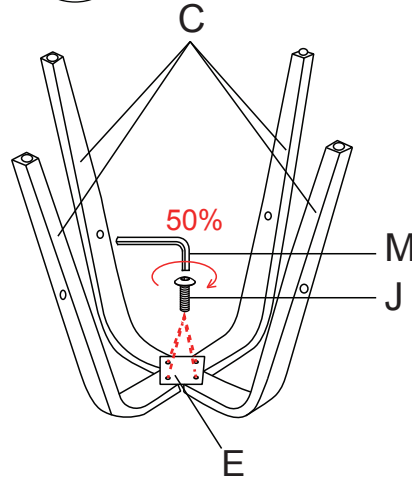
1



2

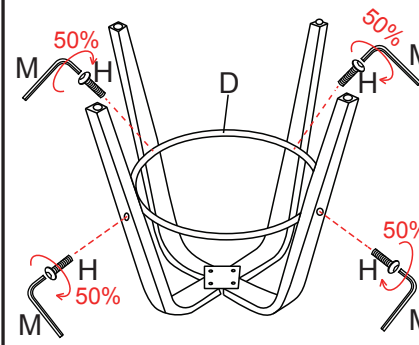


3



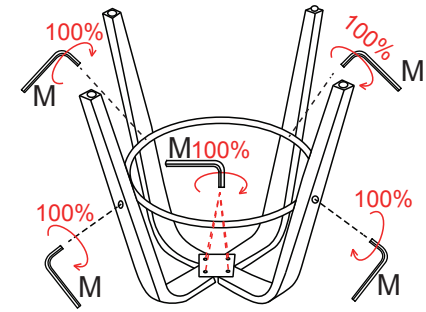
Note: Do NOT tighten the screws(J) in step 3

4



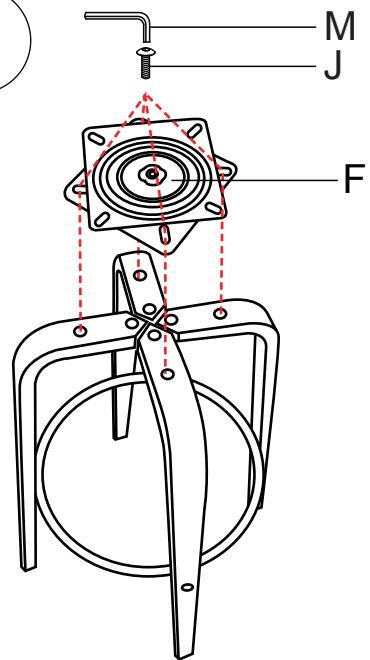
Note: Do NOT tighten the screws(G) in step 4

5

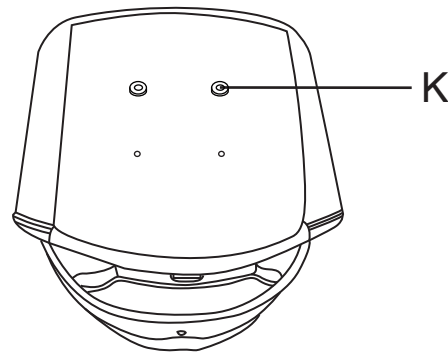


Note: Tighten the screws(J) and screws(H) in step 5

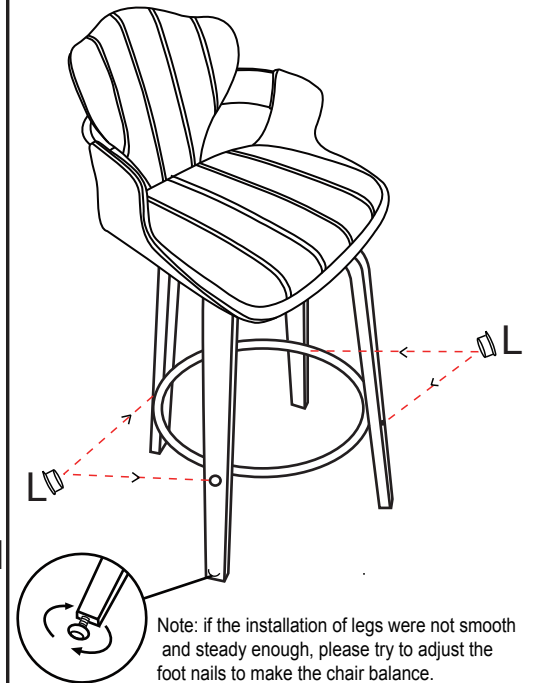
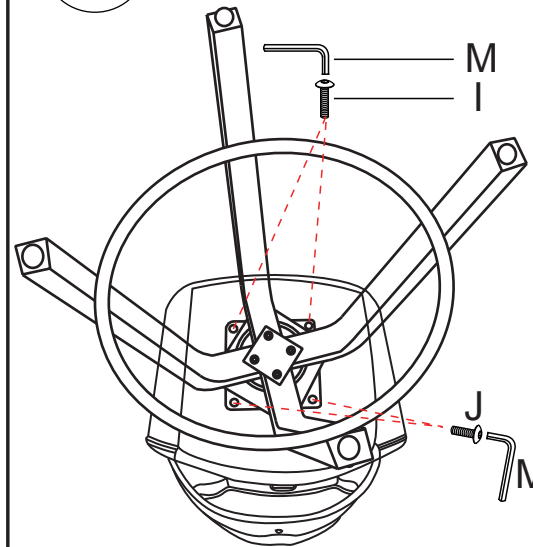
6



7



8



Note: if the installation of legs were not smooth and steady enough, please try to adjust the foot nails to make the chair balance.