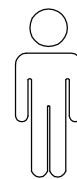
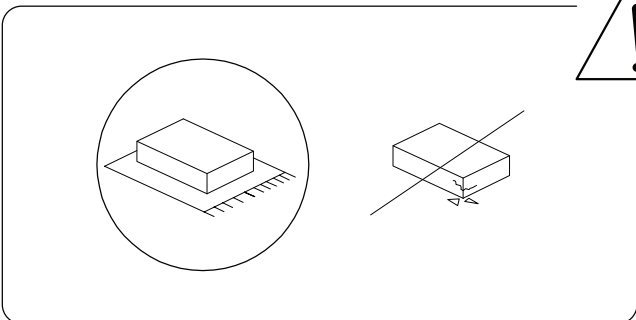
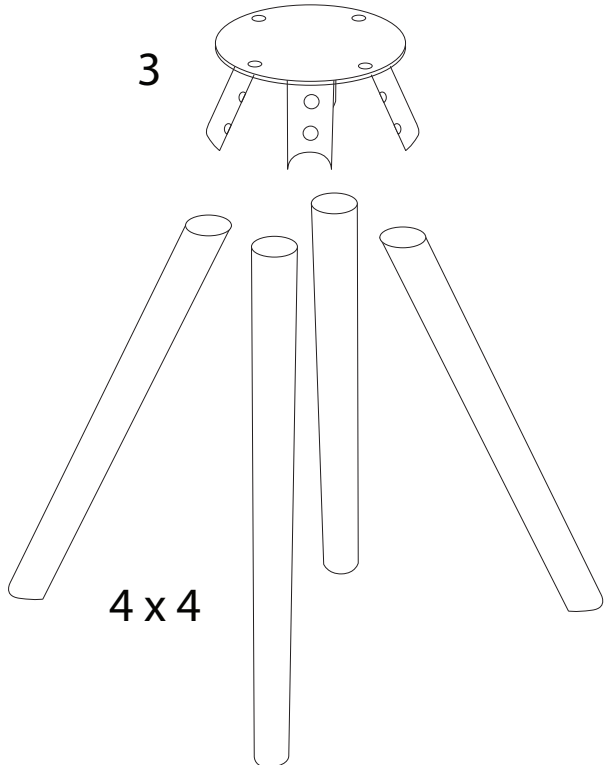
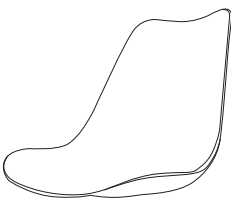

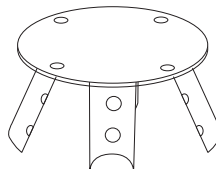



30'

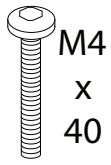


1



<p>1</p>  <p>x 1</p>	<p>2</p>  <p>x 1</p>	<p>3</p>  <p>x 1</p>	<p>4</p>  <p>x 4</p>
---	---	--	---

A



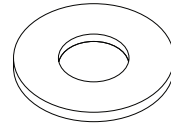
x 8

B



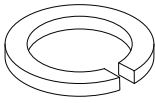
x 4

C



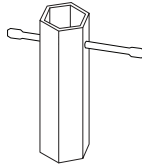
x 4

D



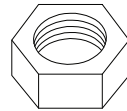
x 4

E



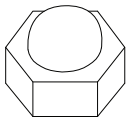
x 1

F



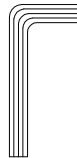
x 8

G



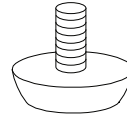
x 8

H



x 1

I



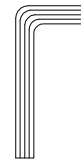
x 4

J



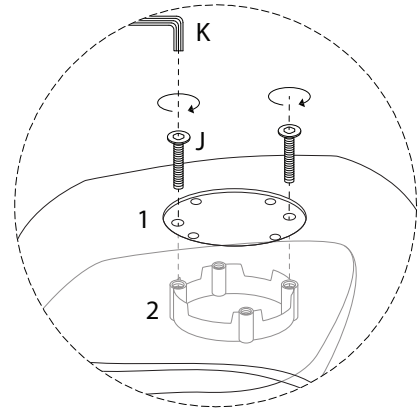
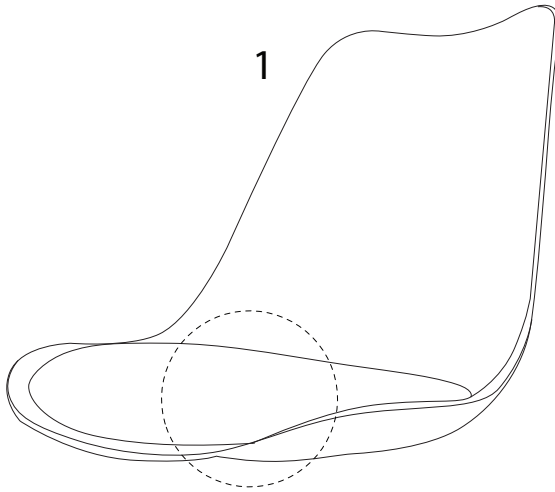
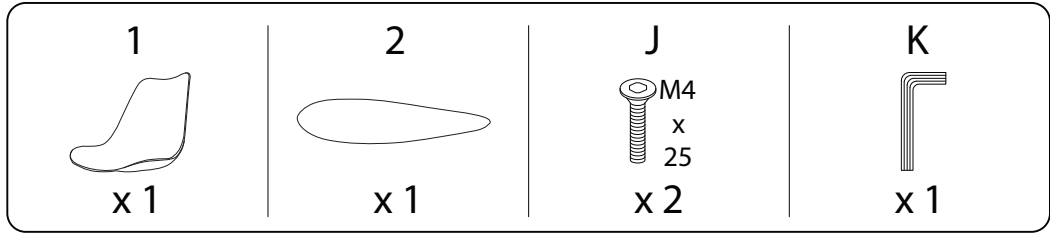
x 2

K

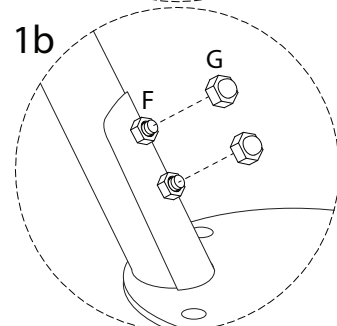
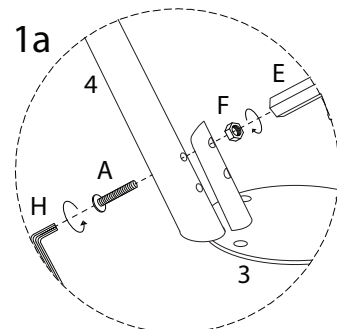
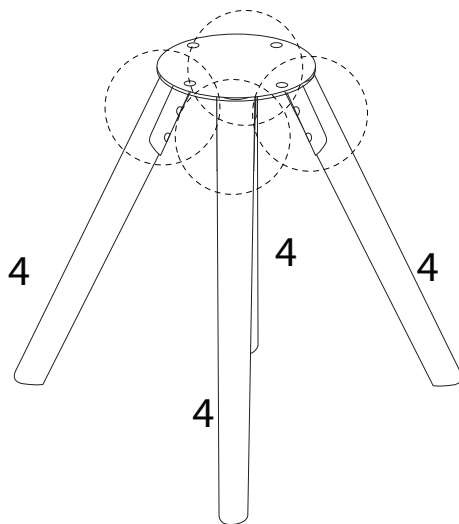
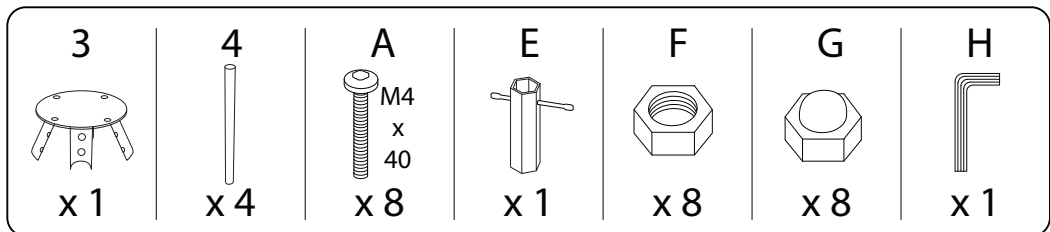


x 1

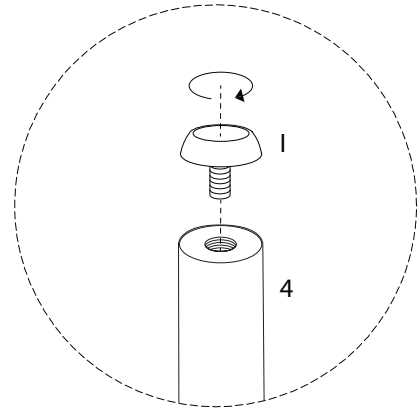
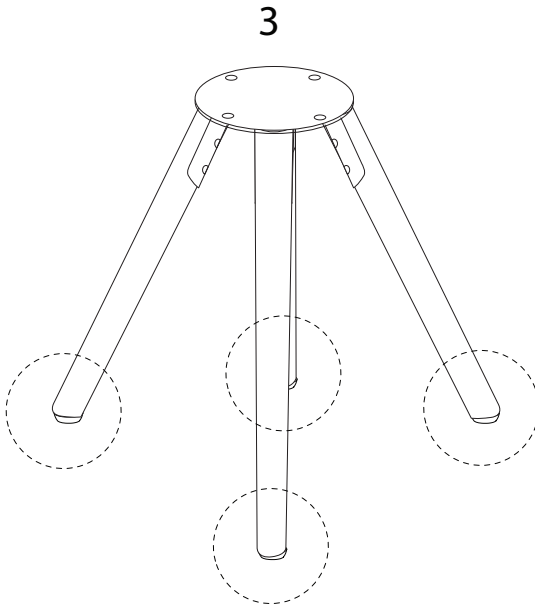
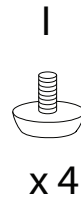
1



2



3



4

