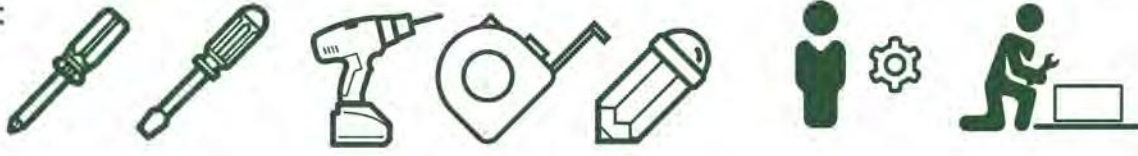


Installation & Assembly



TOOLS:



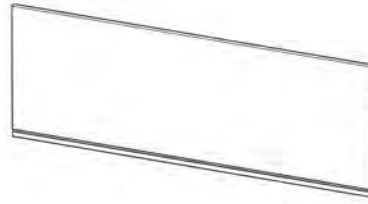
1



2

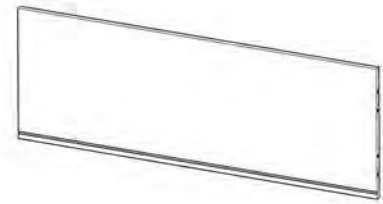


3



4

× 3



5



6

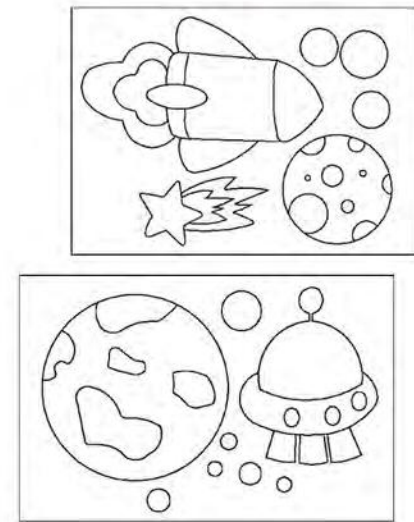
× 4



7



8



UNIT:MM

A
× 14



M6*35

B
× 14



φ 15*10

C
× 12



M4*35

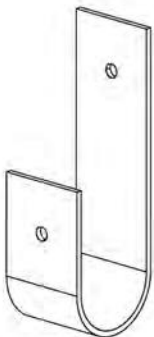
D
× 16



φ 6*30

UNIT:MM

E
× 2



150*25

F
× 2



φ 6*30

G
× 2



M4*12

H
× 4

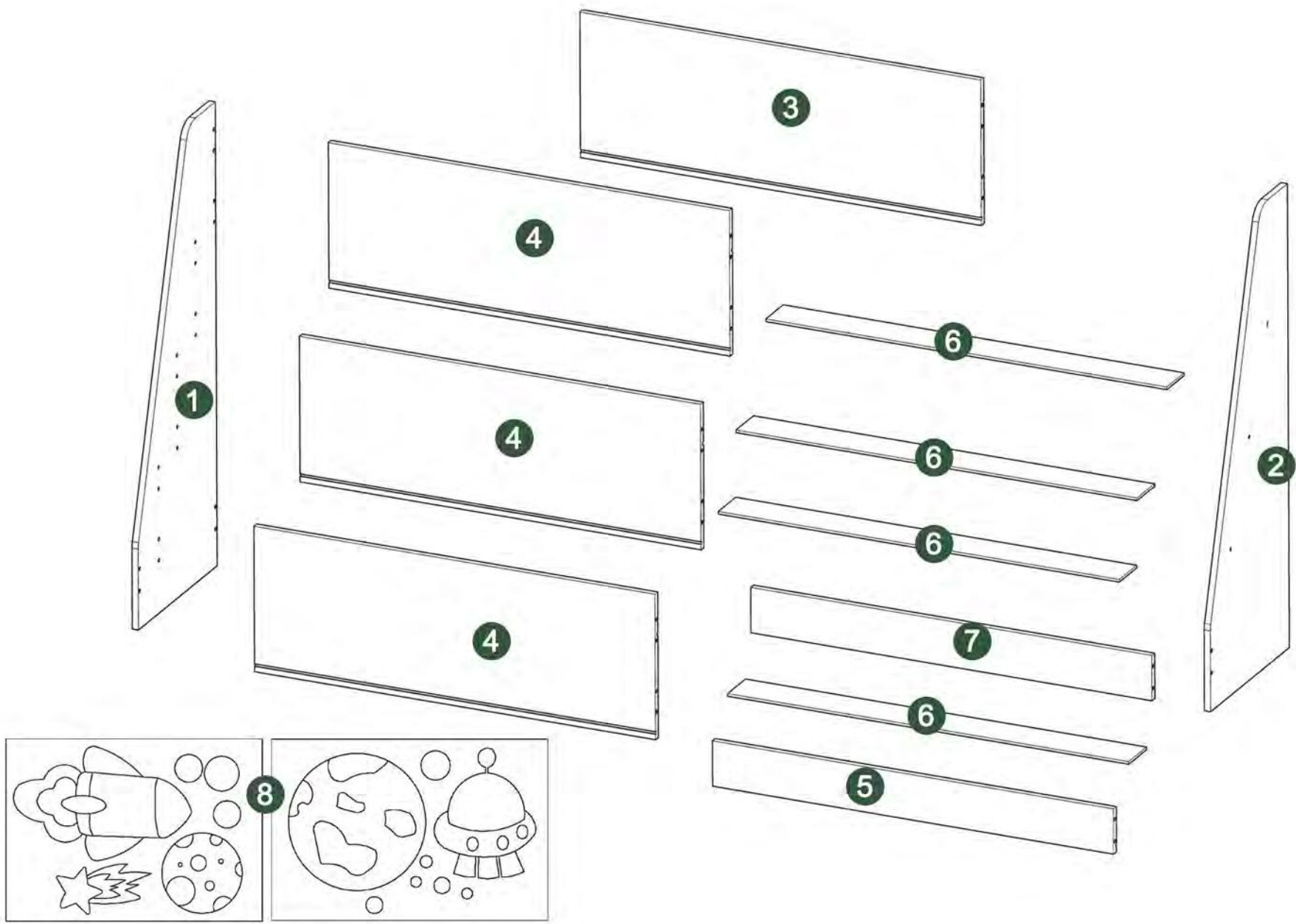


φ 4.5*φ 12*1

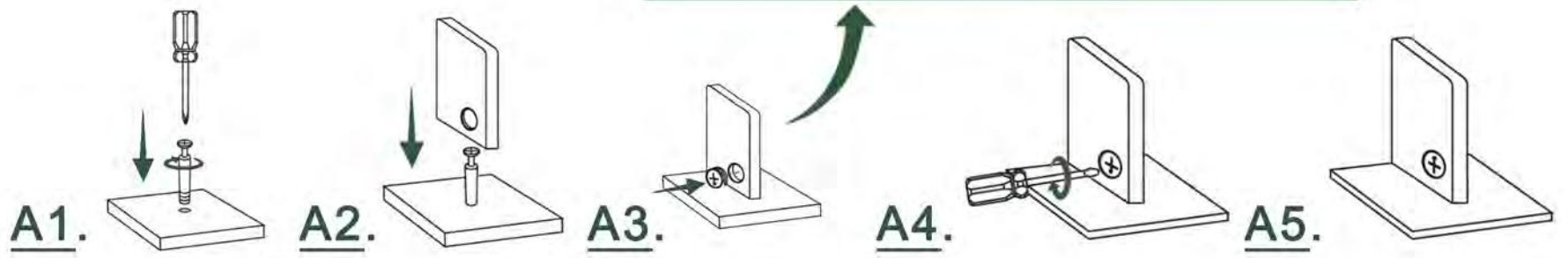
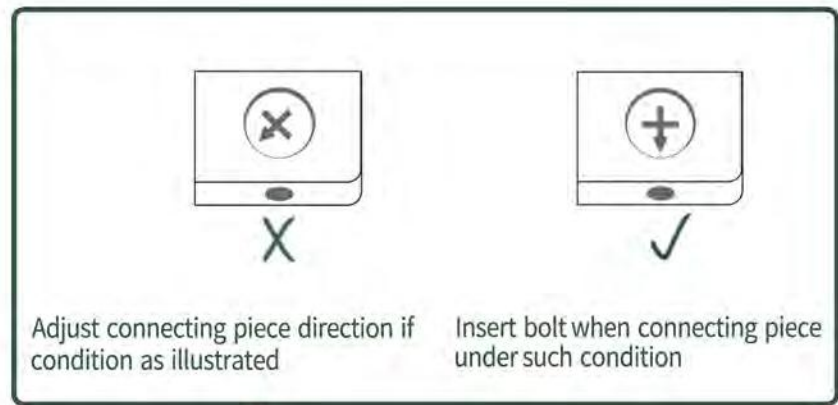
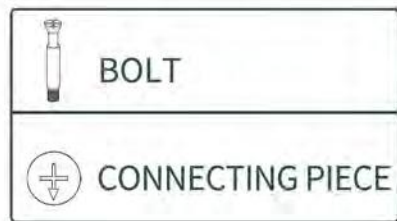
J
× 4



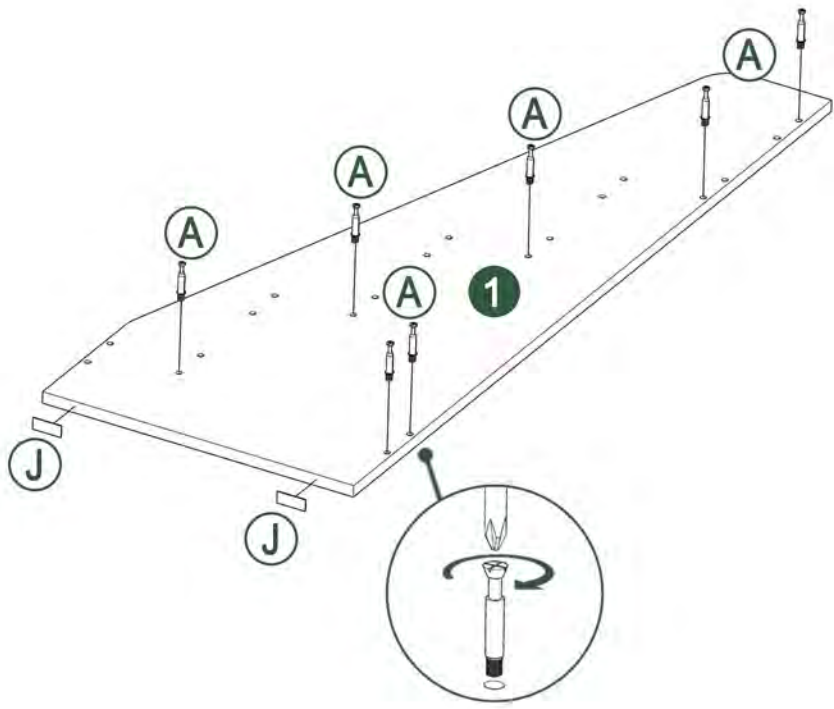
30*11*2



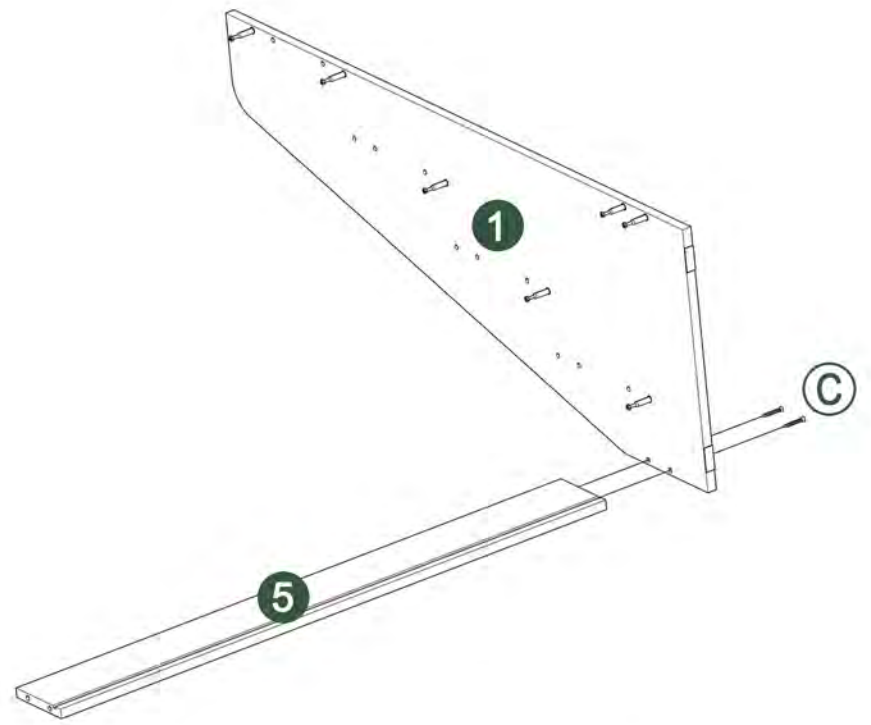
BOLT INSTALLATION AS BELOW:



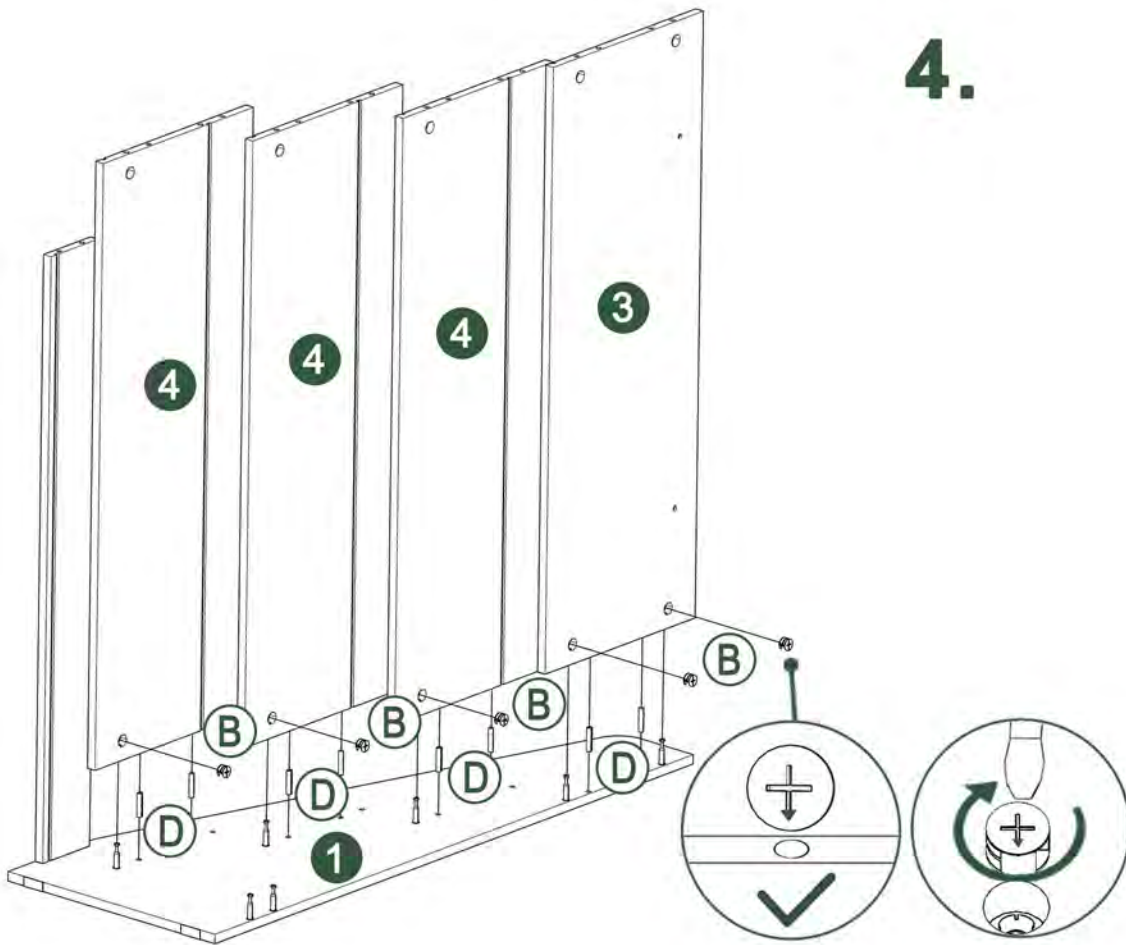
1.



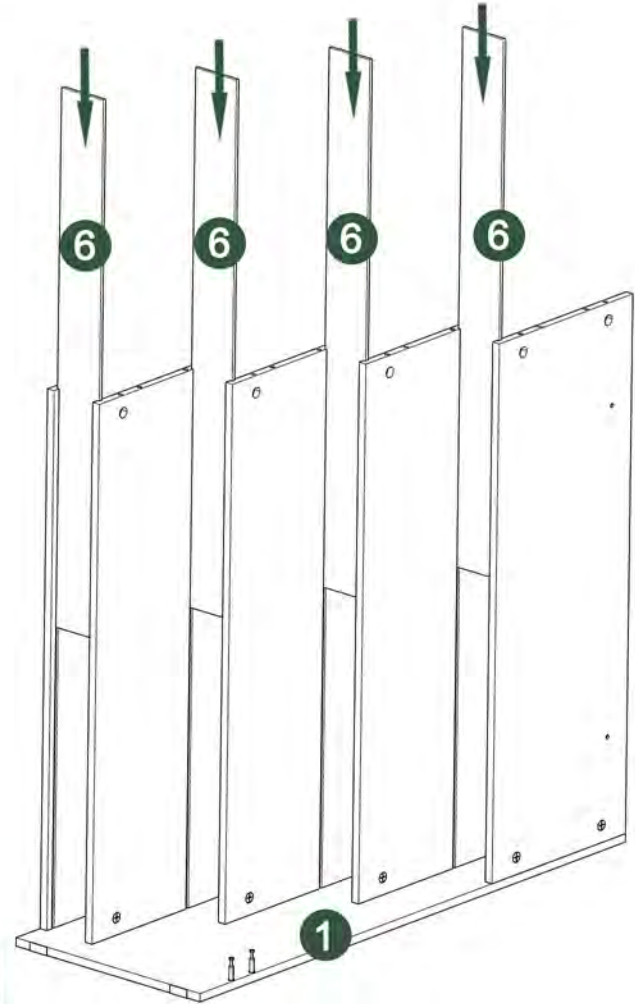
2.



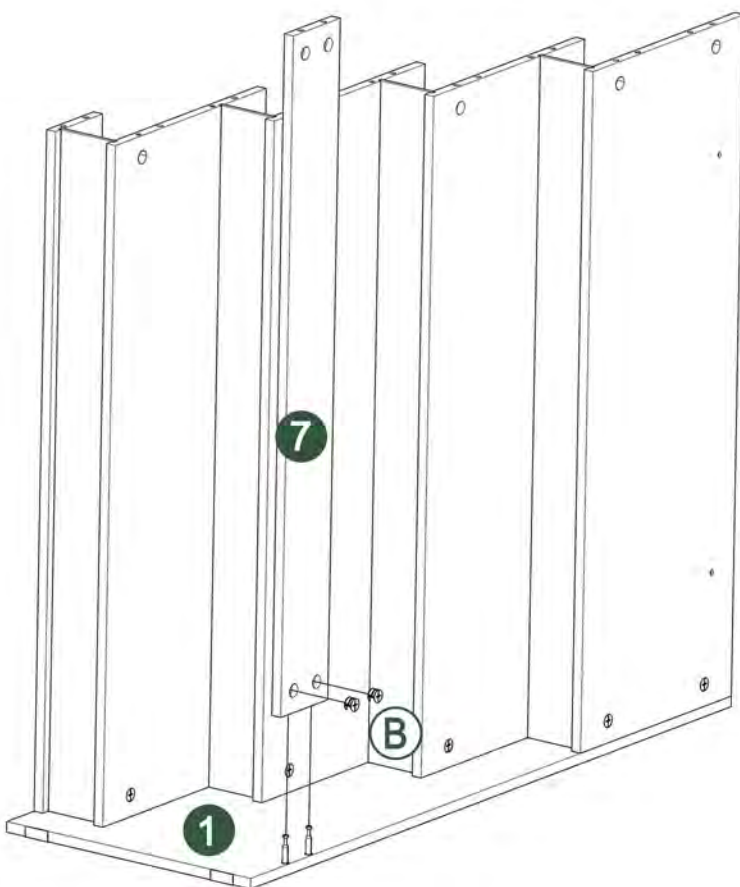
3.



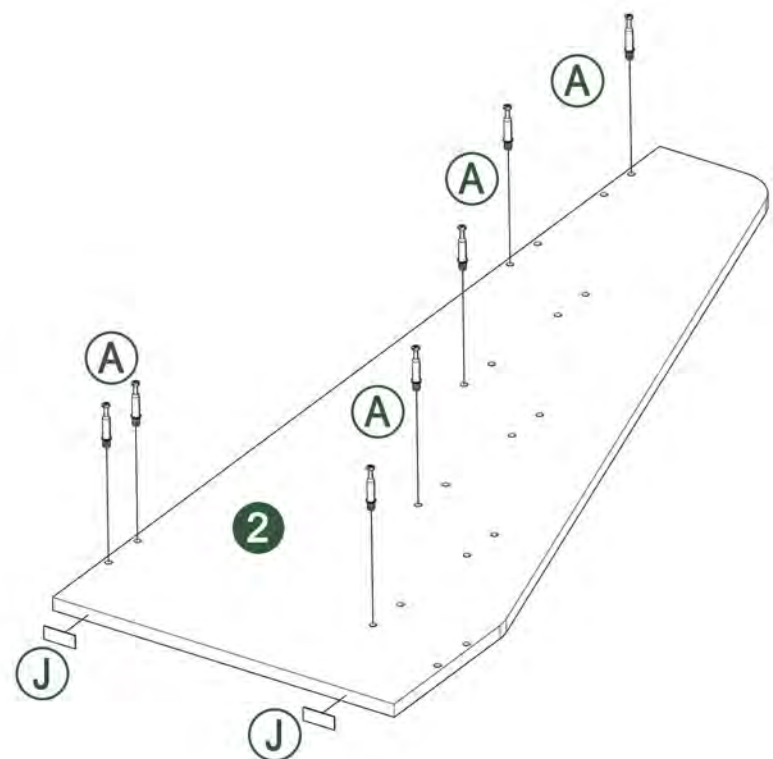
4.



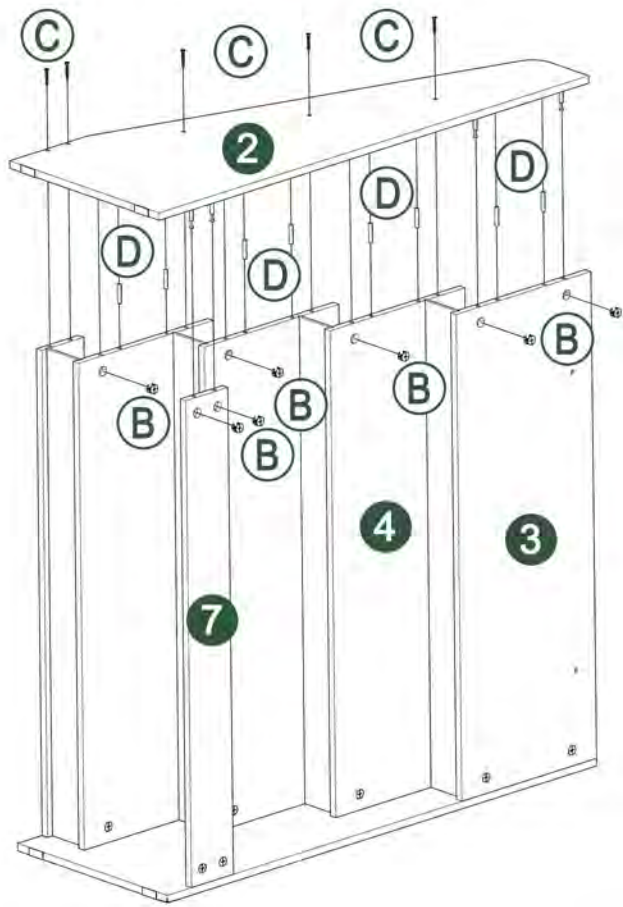
5.



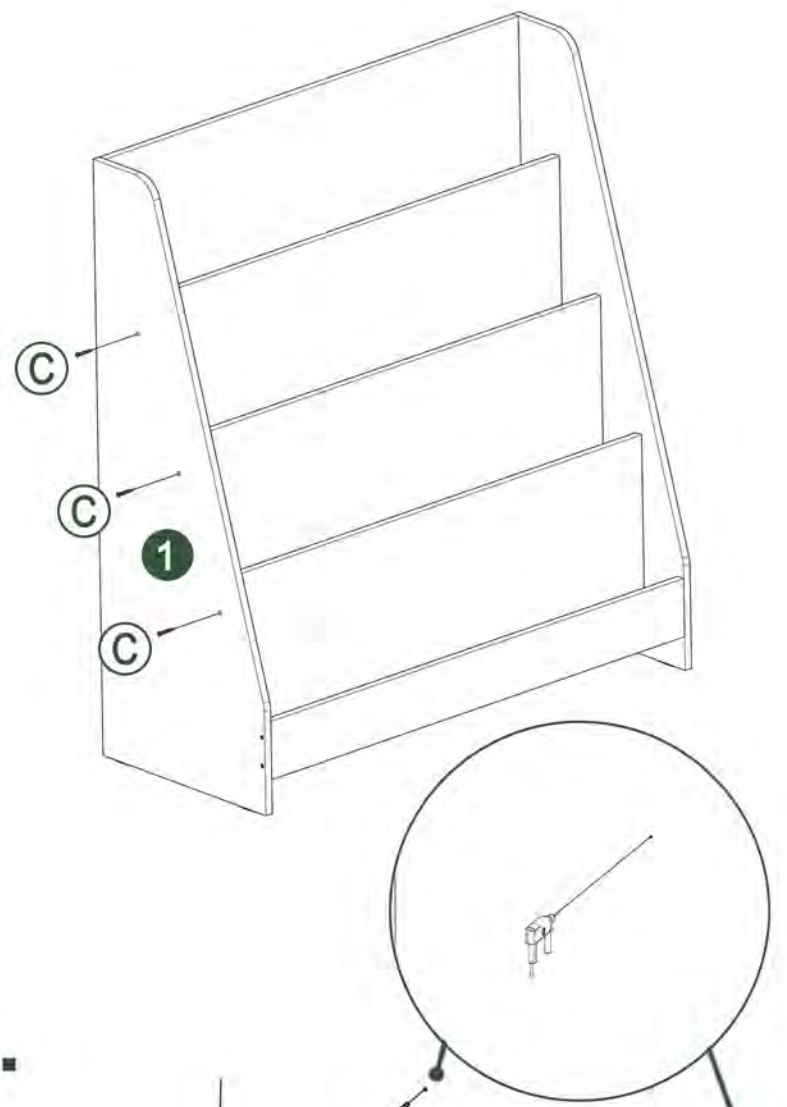
6.



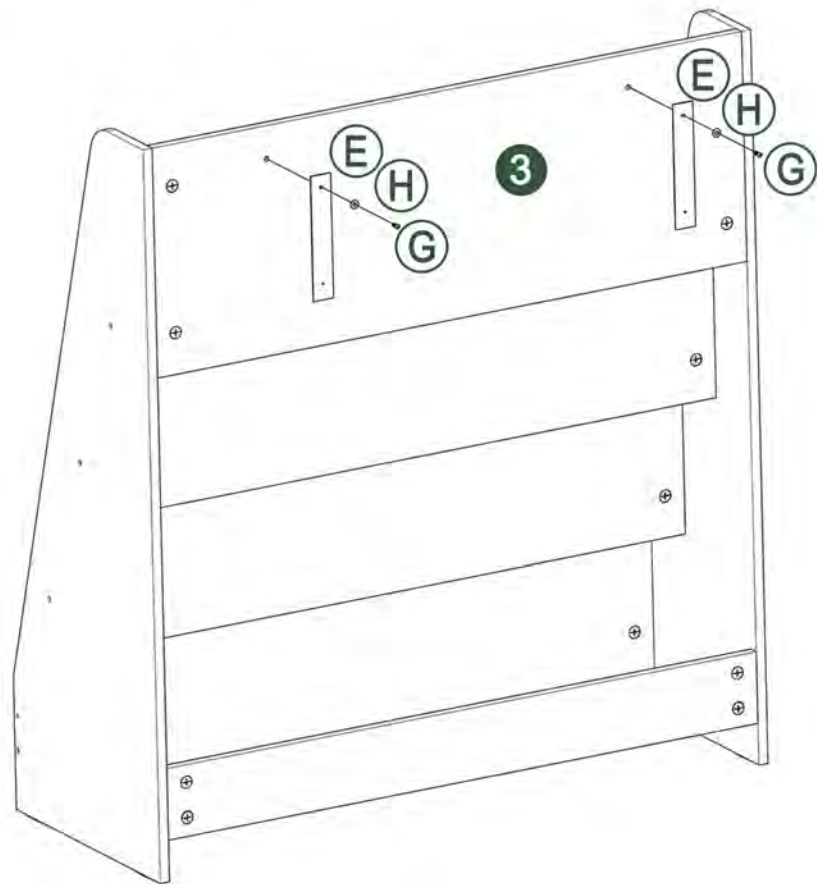
7.



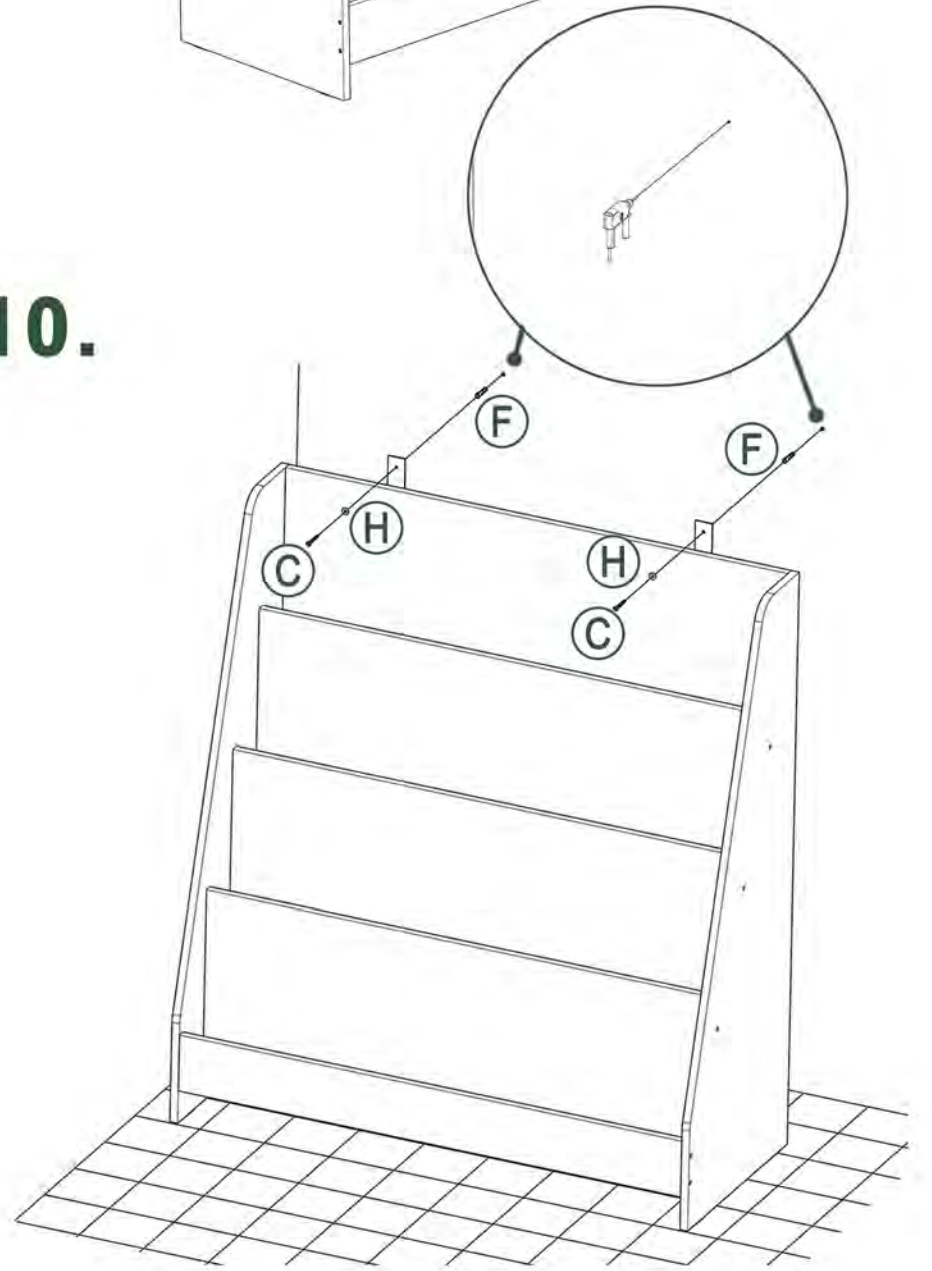
8.



9.



10.



11.

