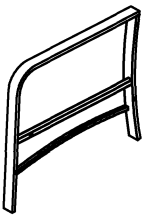
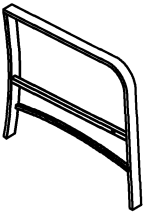
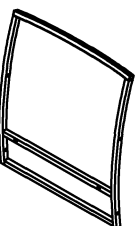
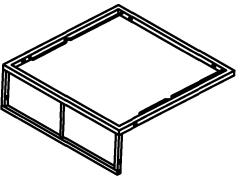



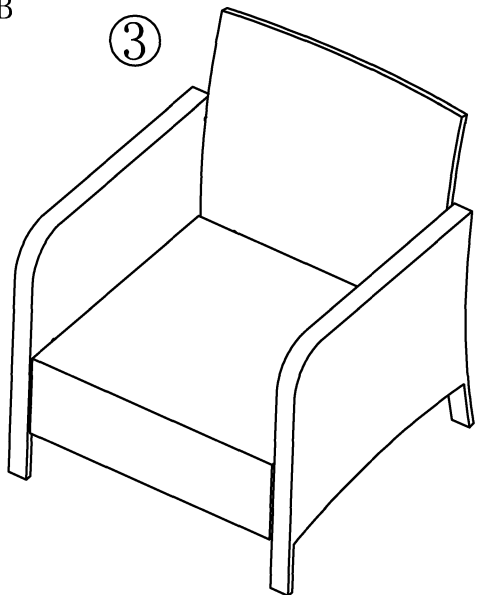
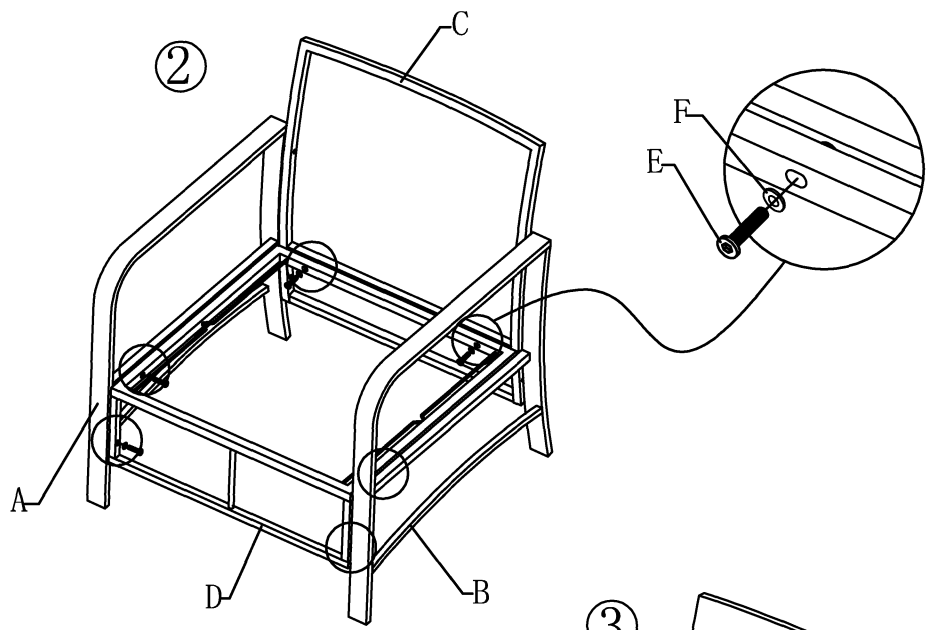
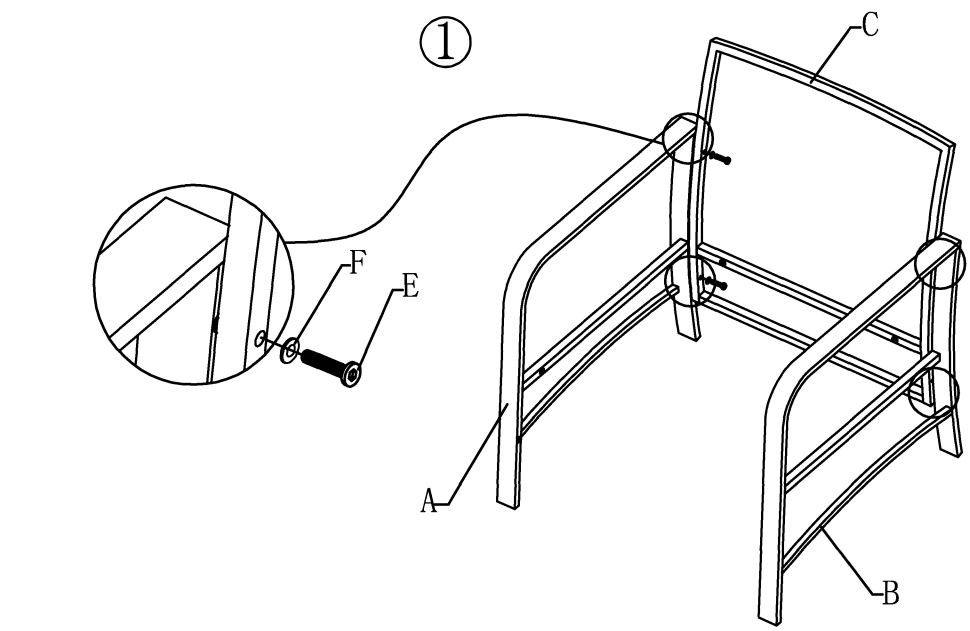


A		1PC
B		1PC
C		1PC
D		1PC
E	 M6*35	10PCS
F		10PCS
G		1PC



DO NOT fully tighten all screws until assembly is completed