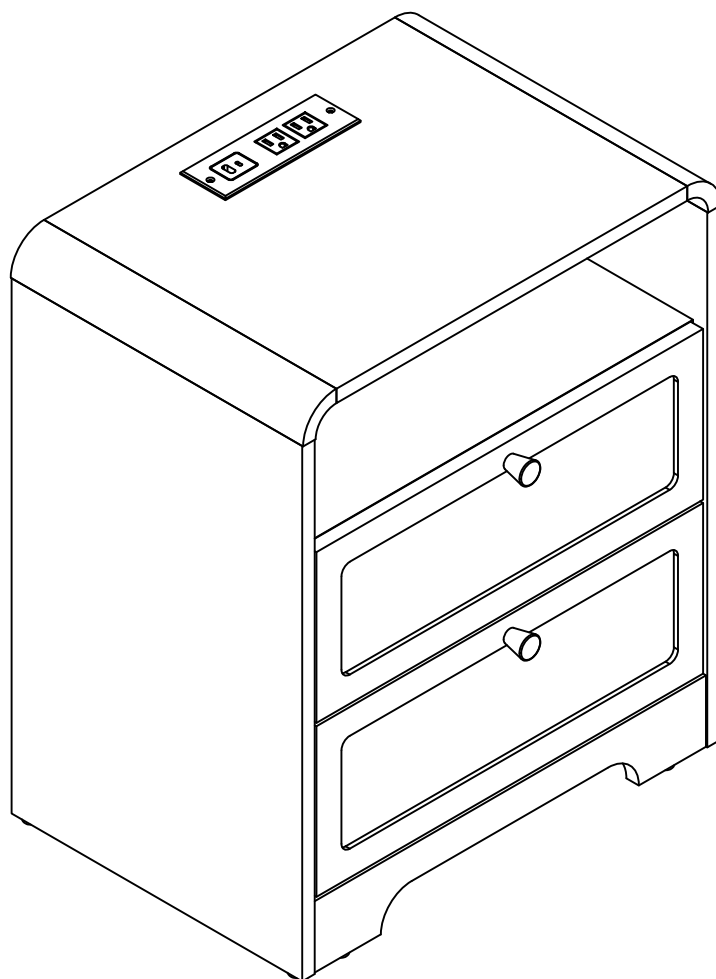


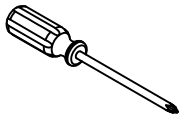
Installation Instruction



Assembling

What you need

- Use the packaging carton as a working surface to prevent product damage during assembly
- Phillips head screwdriver



Weight Limitation



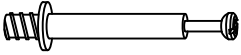
100 | **35**
lbs table top | lbs per

What' included

Code Description	Qty
A Cam Bolt M6X35MM	26
B Cam Lock 15X10MM	26
C Wooden Dowel M8X30MM	18
D Screw M4X40MM	10
E Screw M3.5X14MM	16
F Metal handle	2
G Metal connector	2
H Screw M3.0X14MM	16
I Screw M4X18MM	2
J The back button	12
K Anchor	2
L MATS	6
M Adjustable foot pads	1
N Self-adhesive hole sticker	26
CL Left mother extended orbit	2
CR Right mother extended orbit	2
DL Left public extension track	2
DR Right public extends track	2

The Hardwares

A



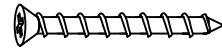
B



C



D



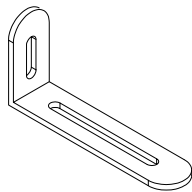
E



F



G



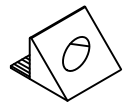
H



I



J



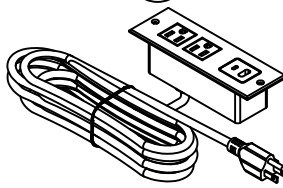
K



L



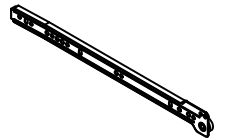
M



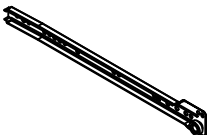
N



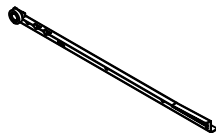
CL



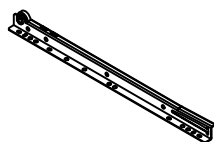
CR



DL



DR



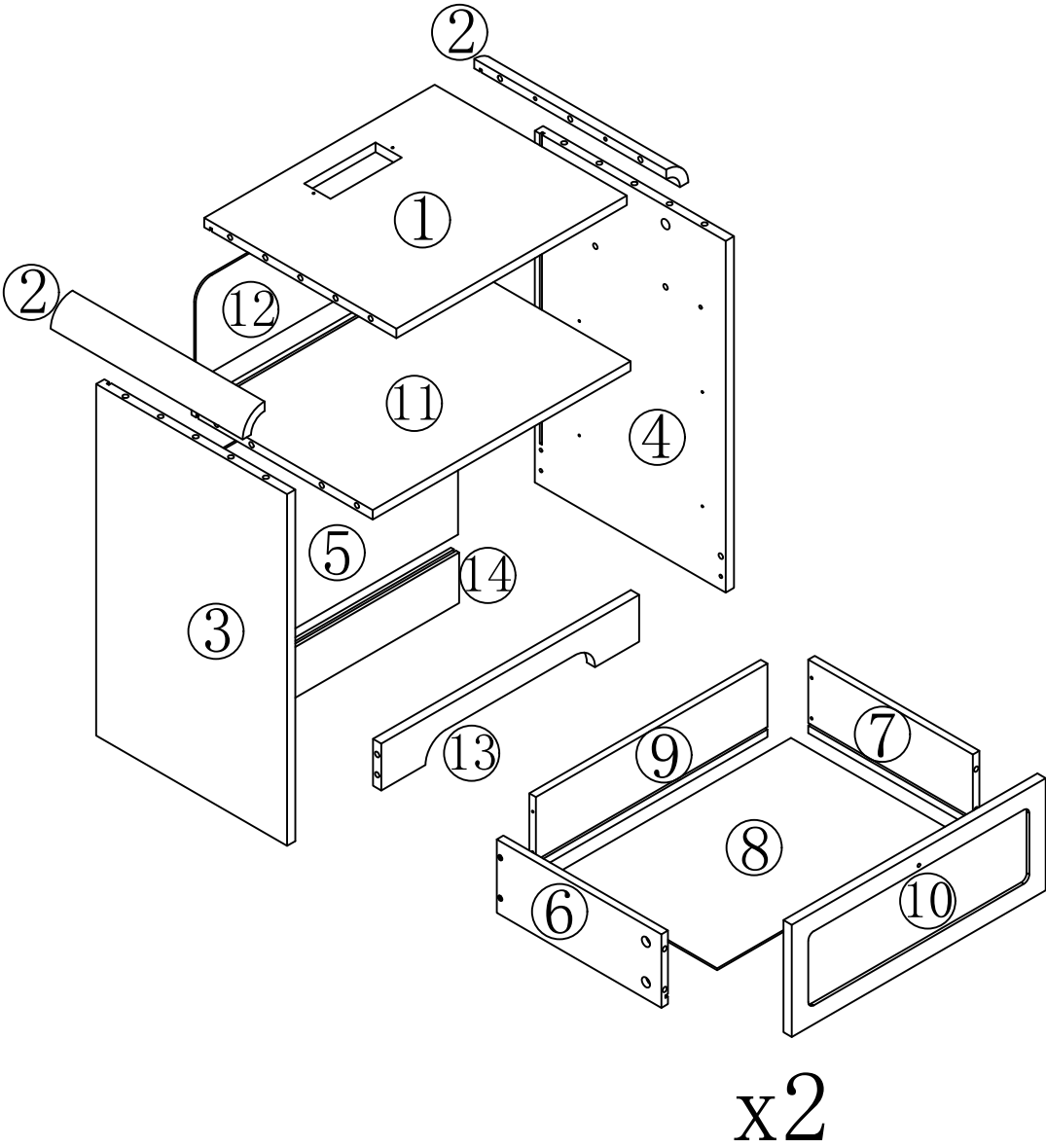
IMPORTANT:

1. Do not tighten bolts / screws completely until all bolts / screws are lined up and inserted into holes.
2. Do not over tighten screws and bolts to avoid stripping
3. You can use a screwdriver. Power tools can also be used. (Be careful with power tools)

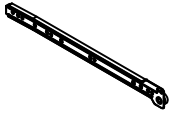
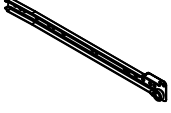
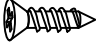
Included Accessories

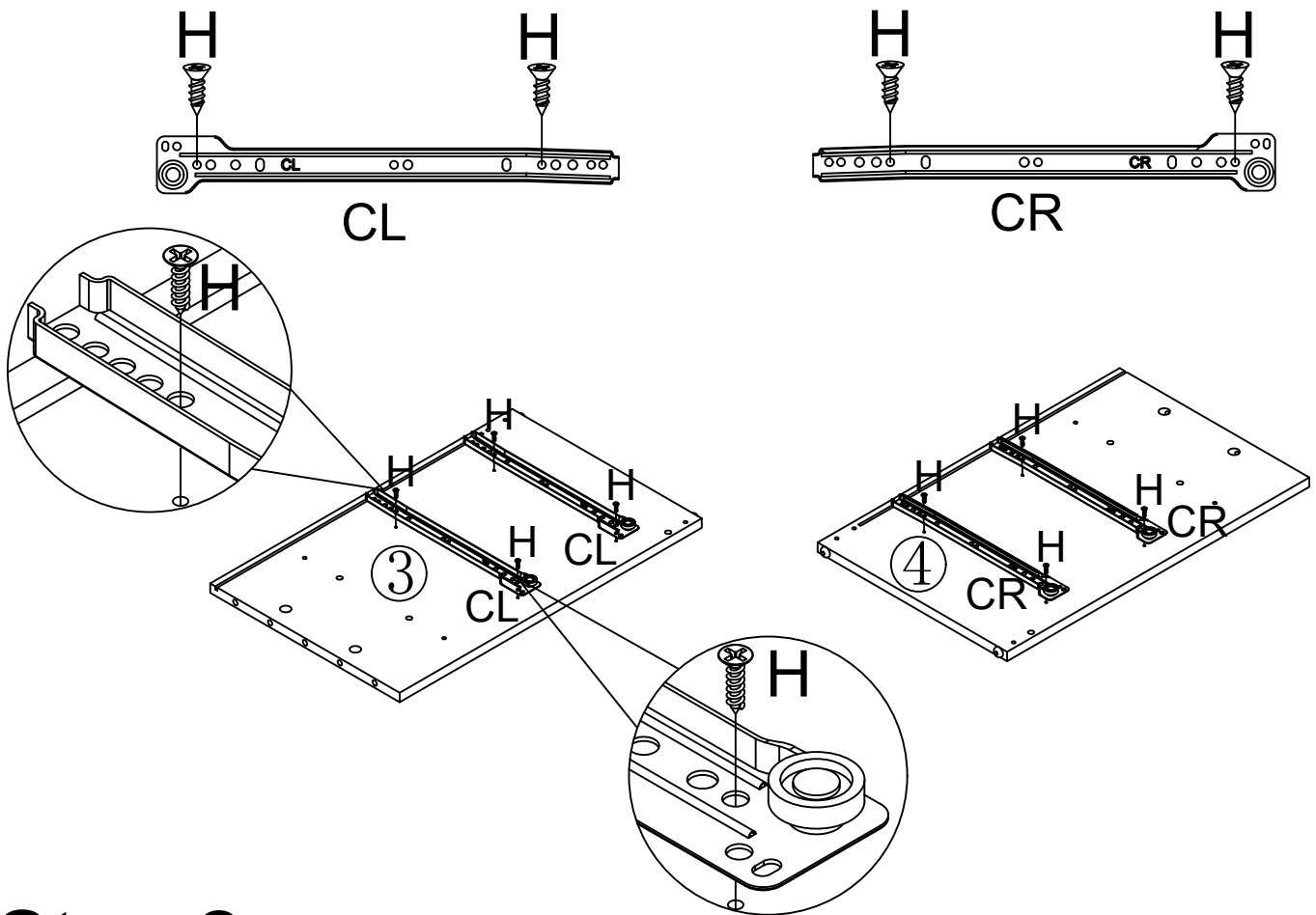
Code	Description	Qty
1	Cabinet Top	1
2	Arc connecting plate	2
3	Left Side Panel	1
4	Right Side Panel	1
5	Upper back plate	1
6	Drawer left panel	2
7	Drawer right side panel	2
8	The drawer bottom	2
9	After the drawer board	2
10	The drawer face	2
11	Fixed shelf board	1
12	below back plate	1
13	Front Support Bar	1
14	Rear bottom support plate	1

The Accessoriess

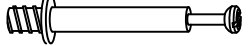


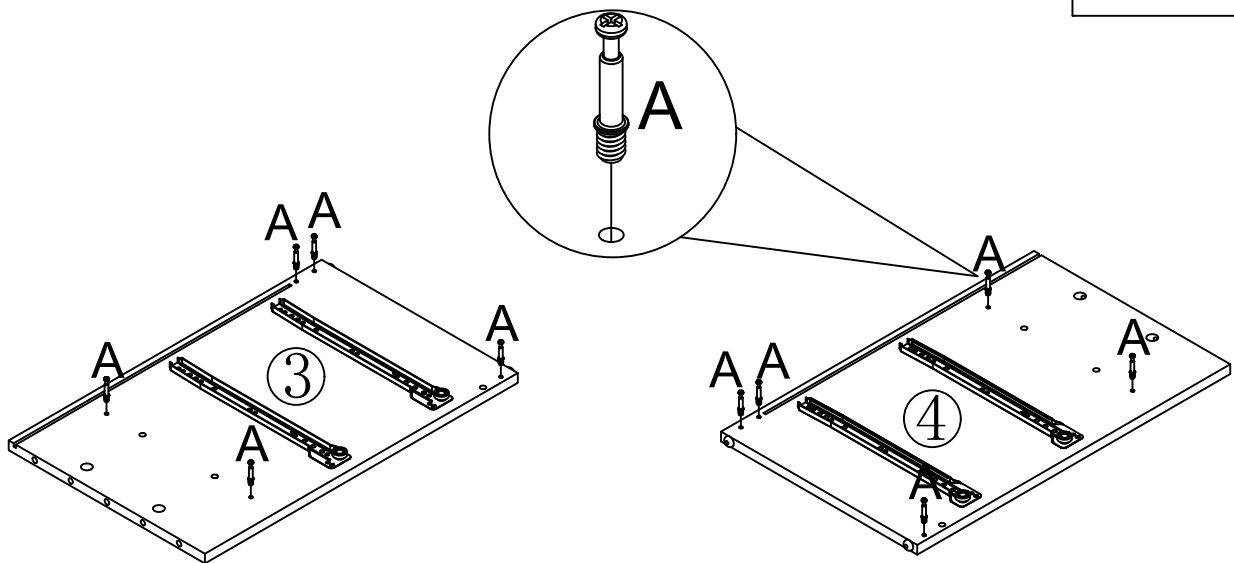
Step 1

CL	×2	CR	×2	H	×8
					




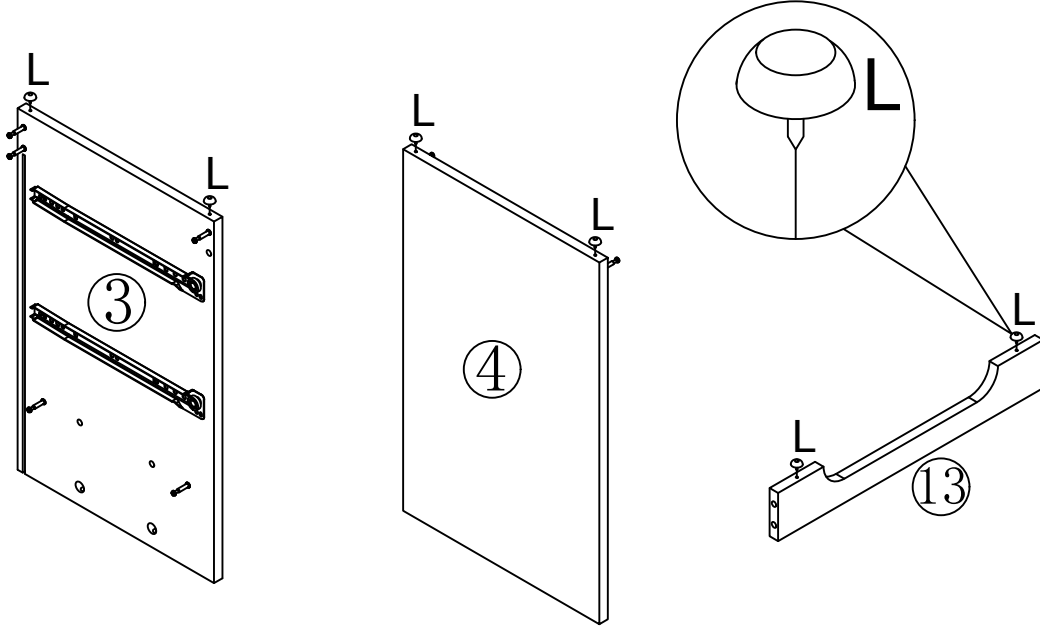
Step 2

A	×10
	






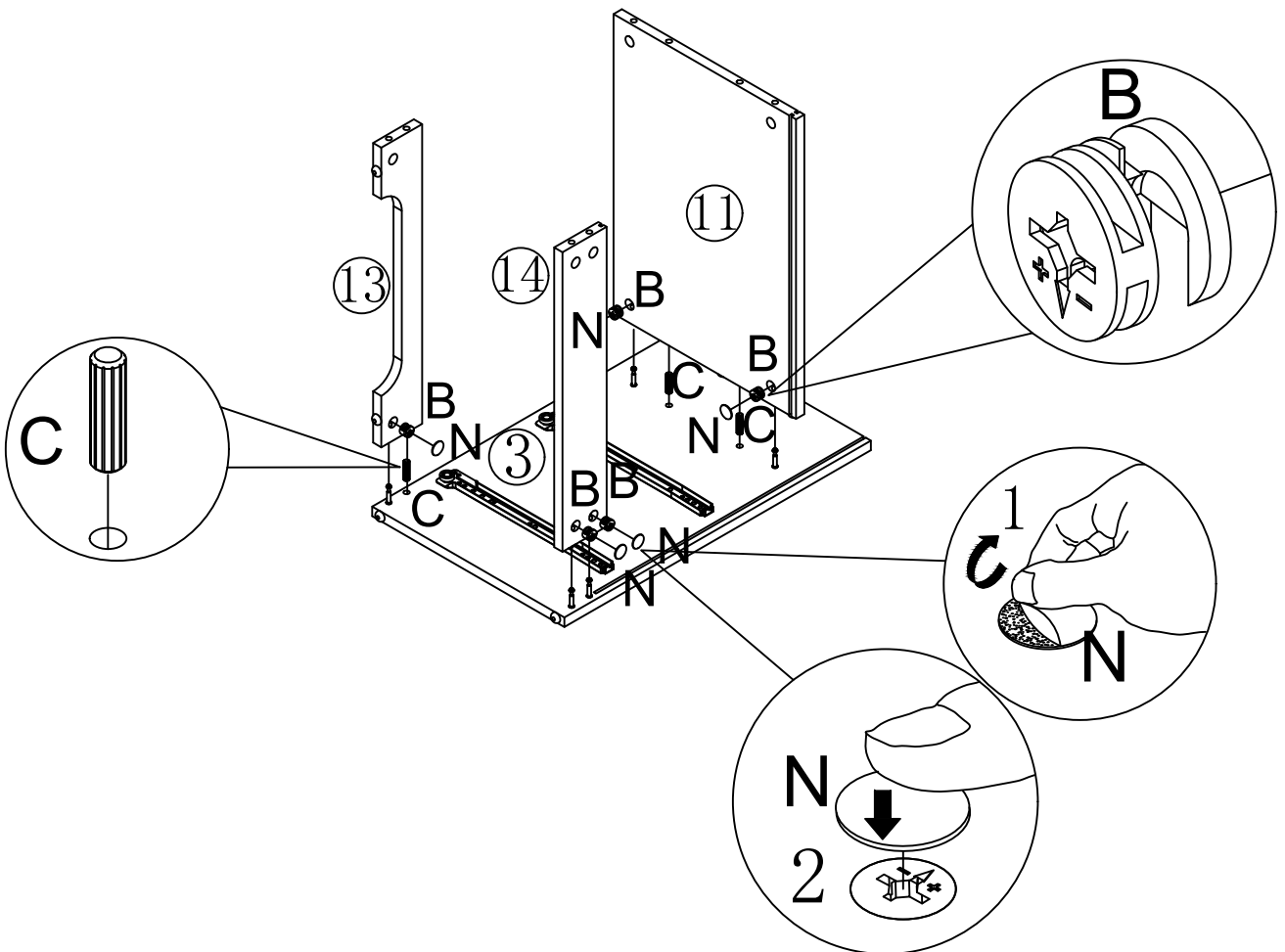
Step 3

L	×6
	

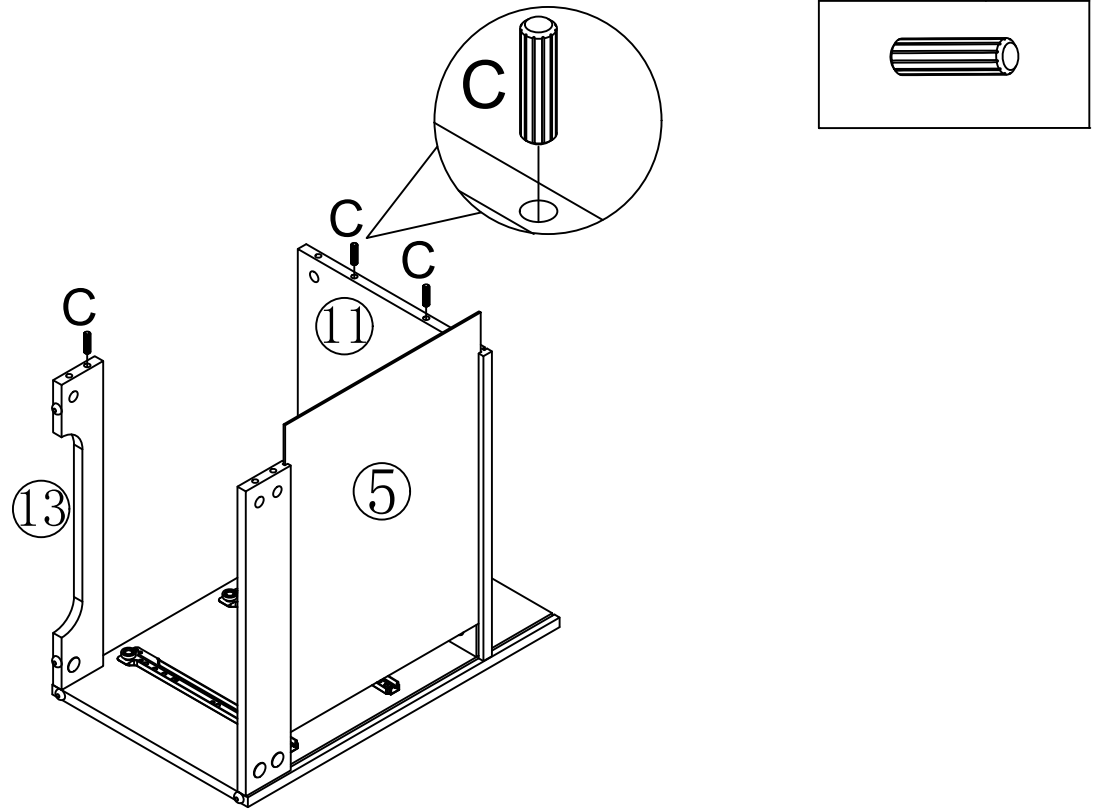


Step 4

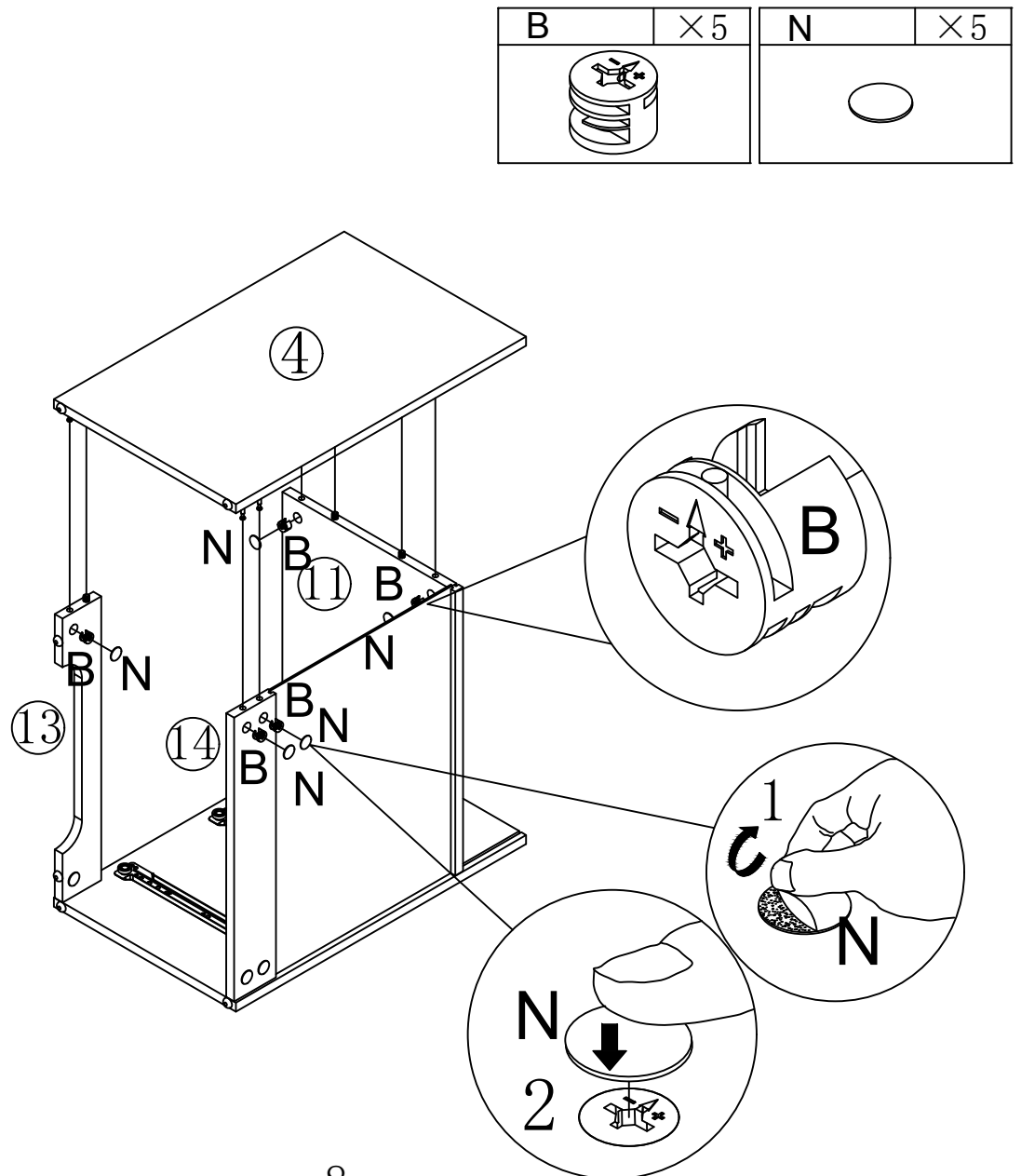
B	×5	C	×3	N	×5
					



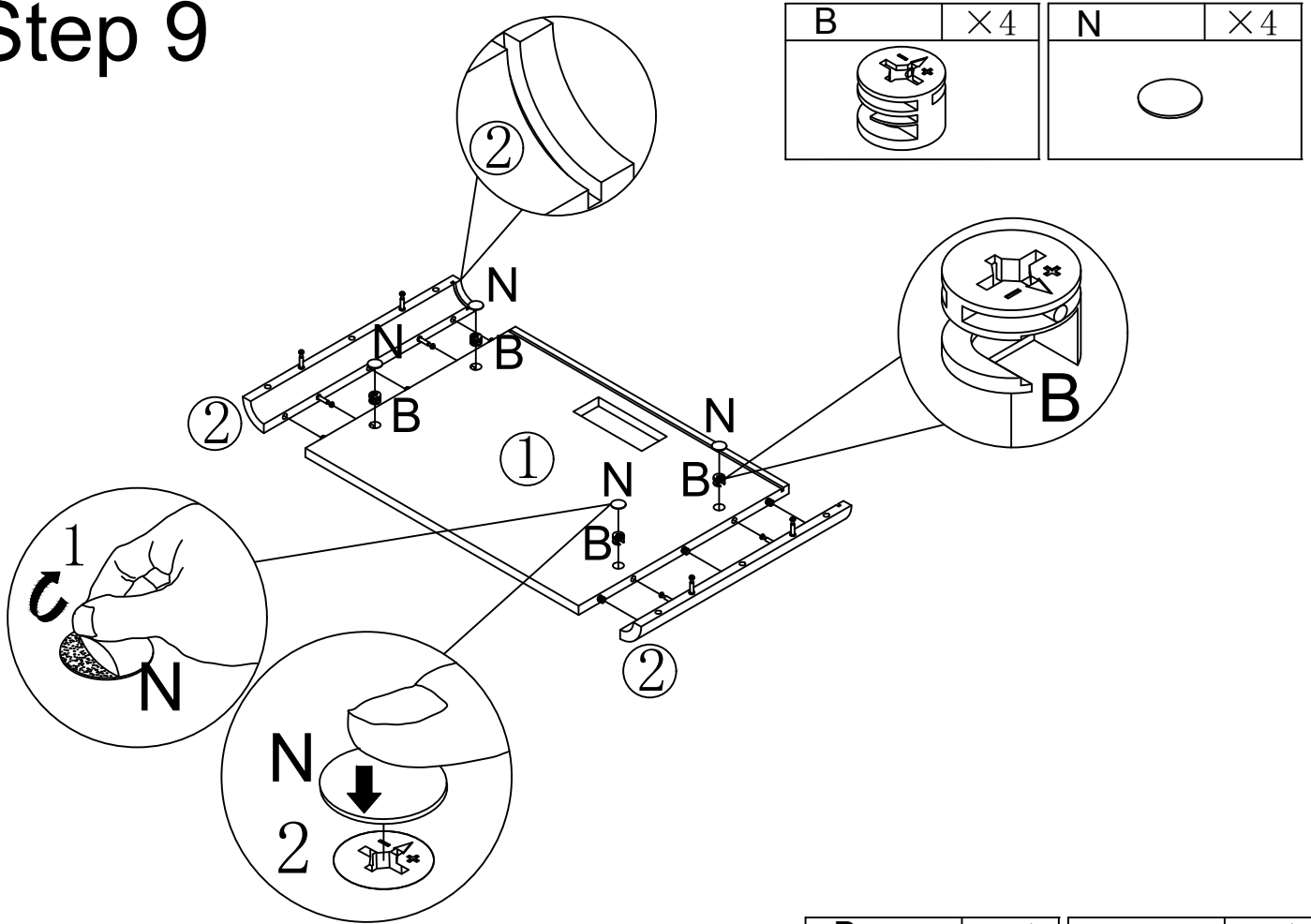
Step 5



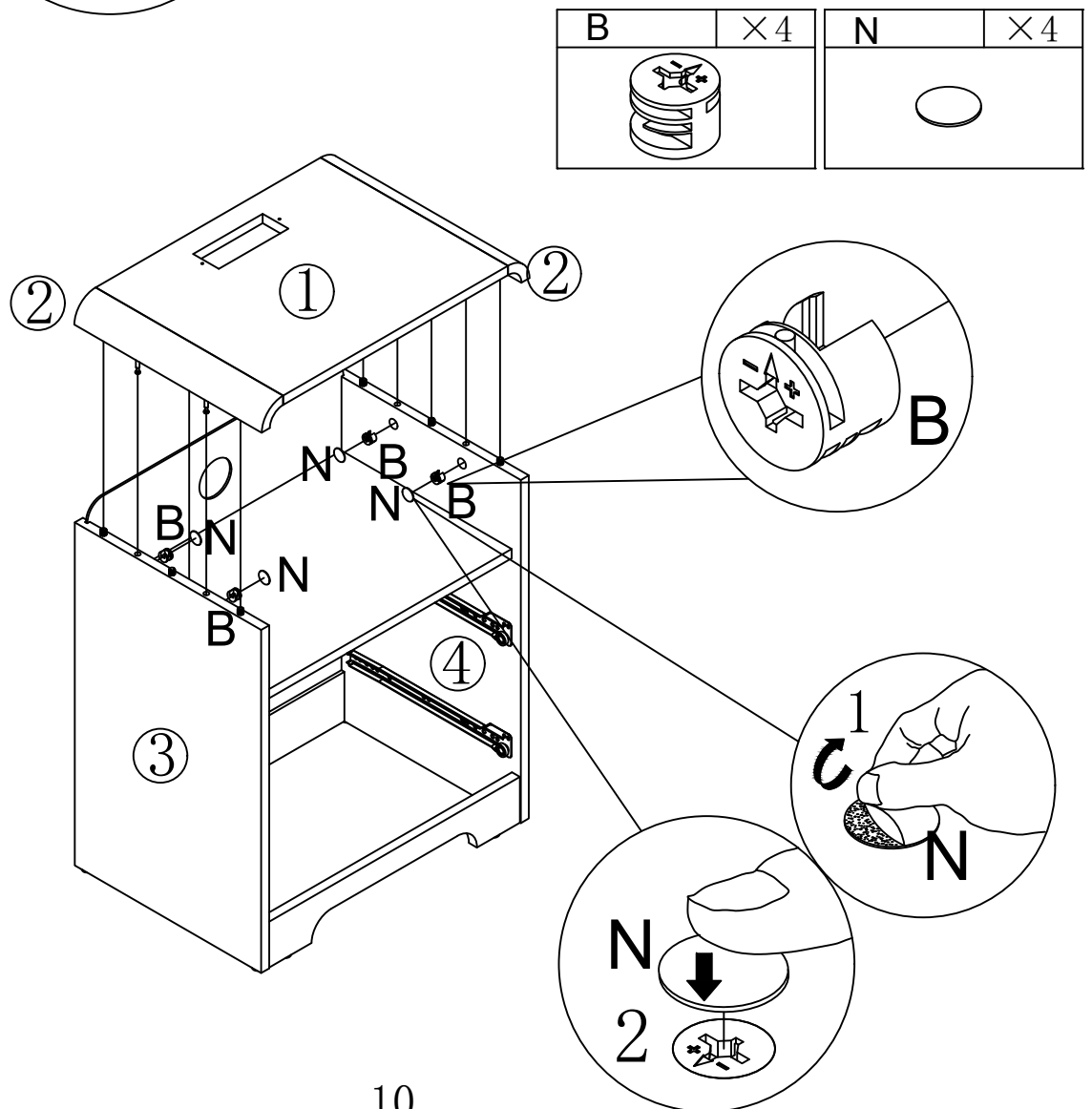
Step 6



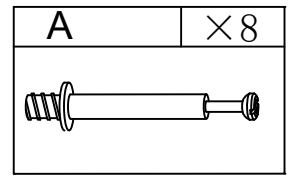
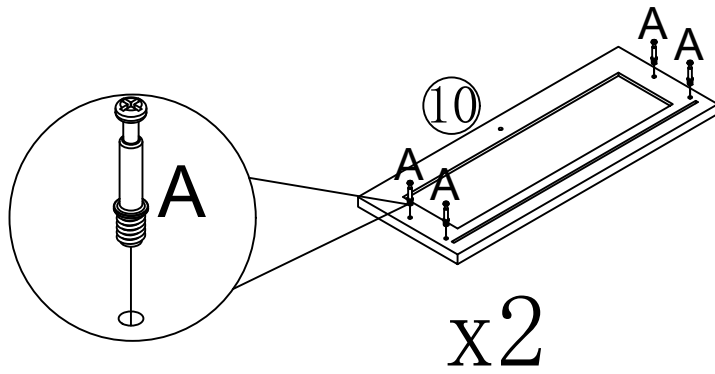
Step 9



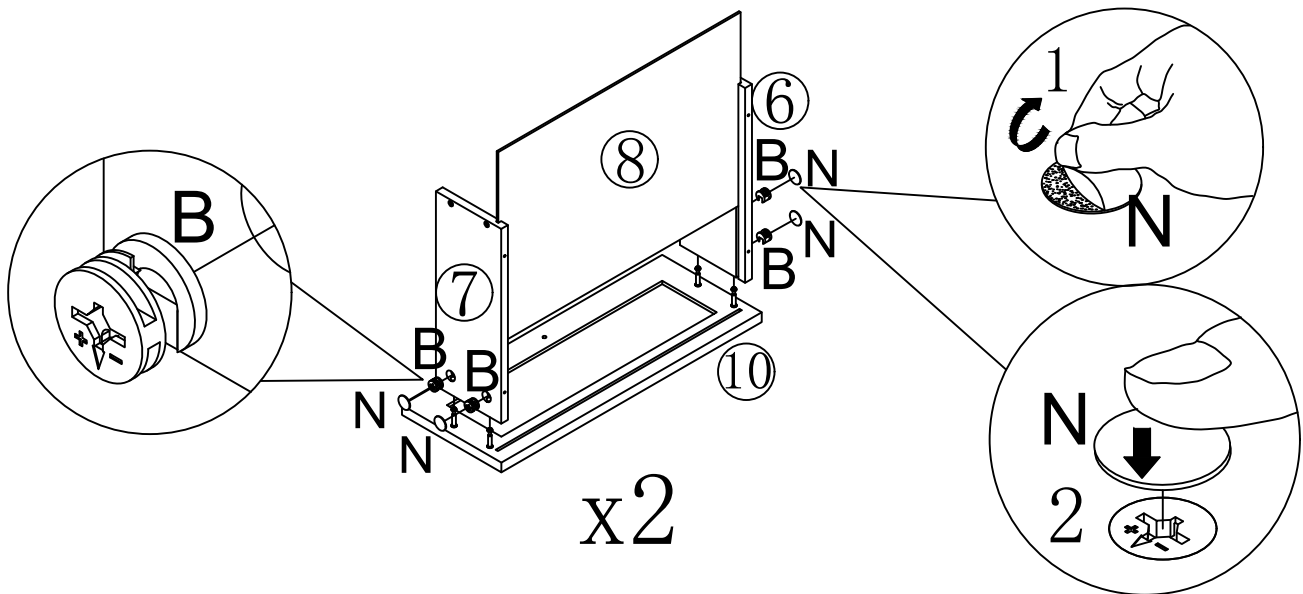
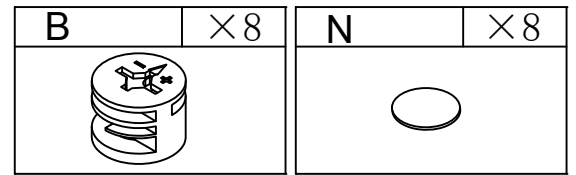
Step 10



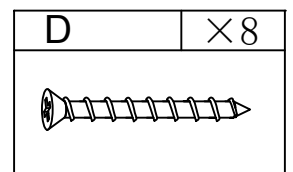
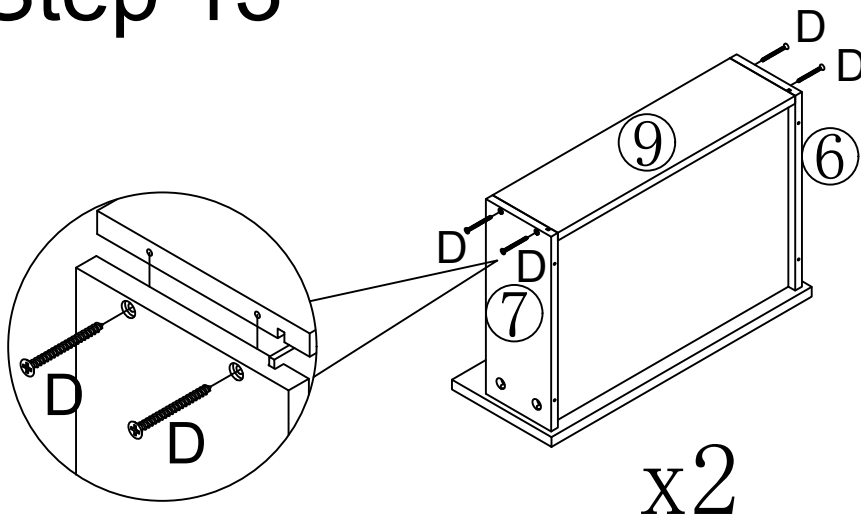
Step 11



Step 12

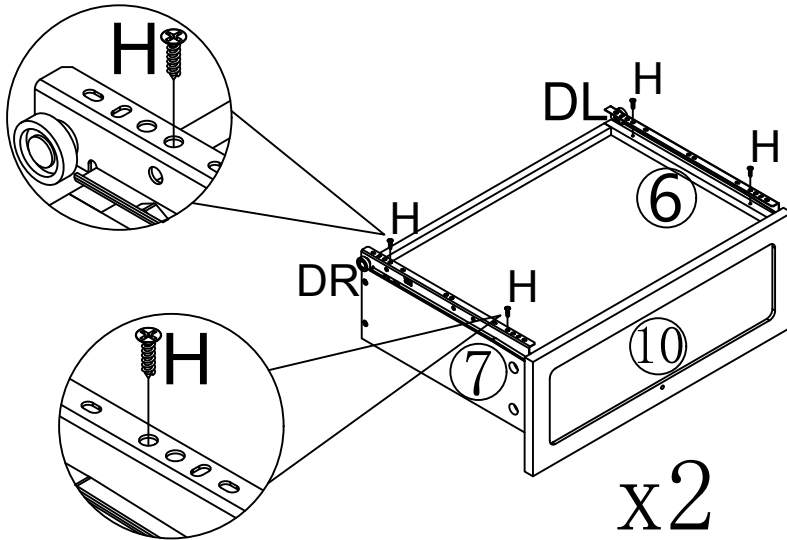
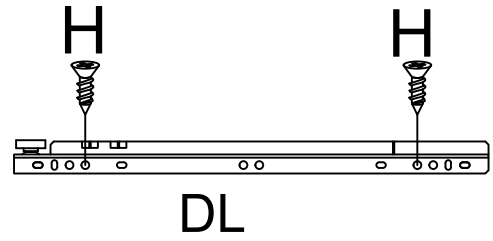
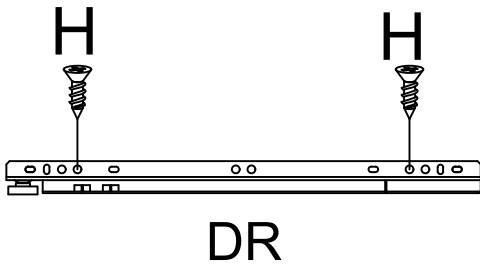


Step 13



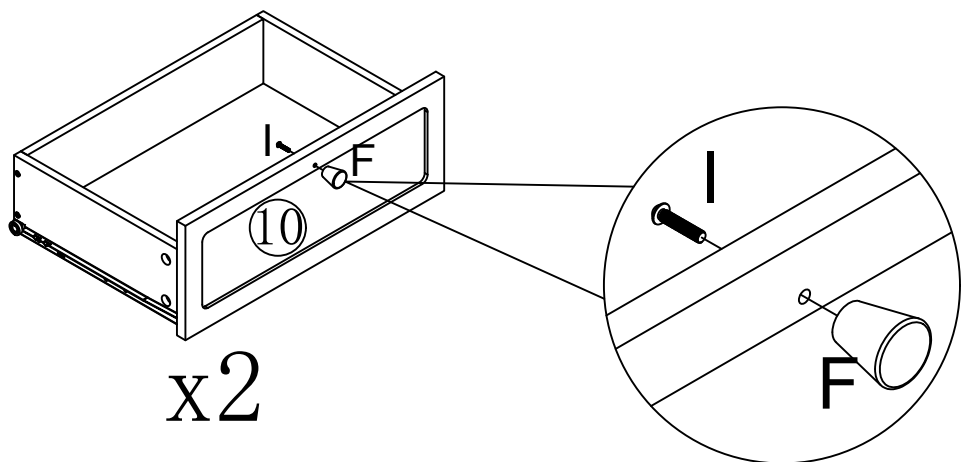
Step 14

DL	×2	DR	×2	H	×8

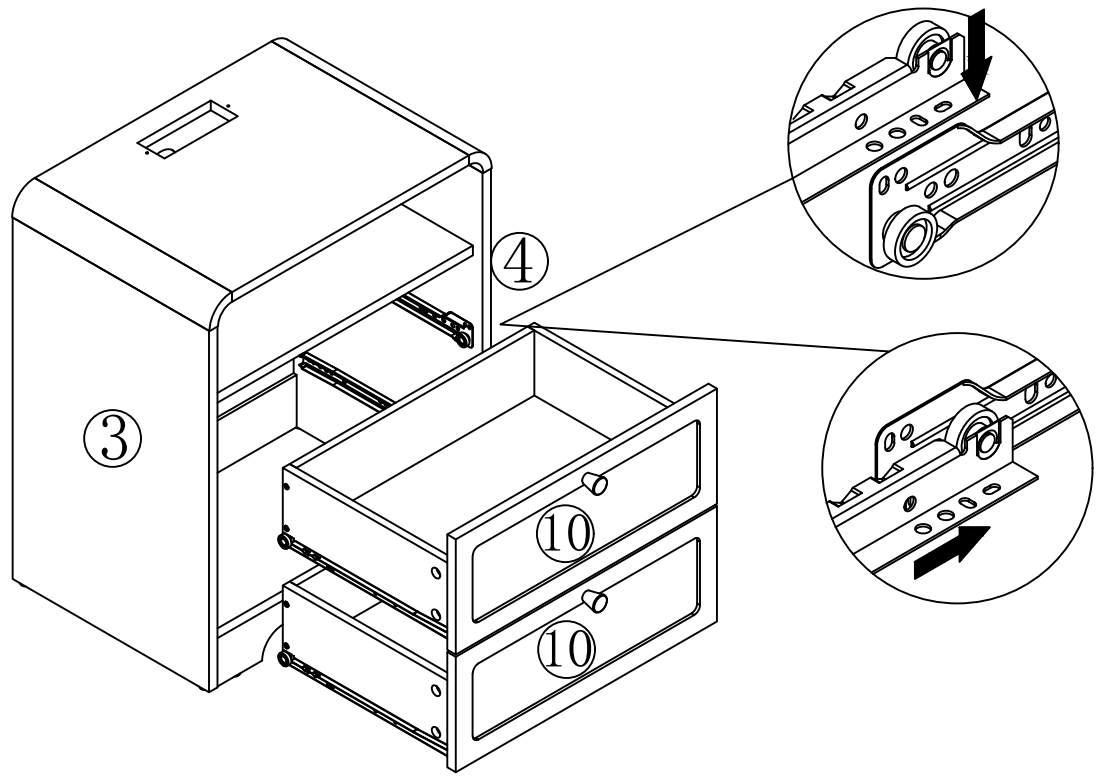


Step 15

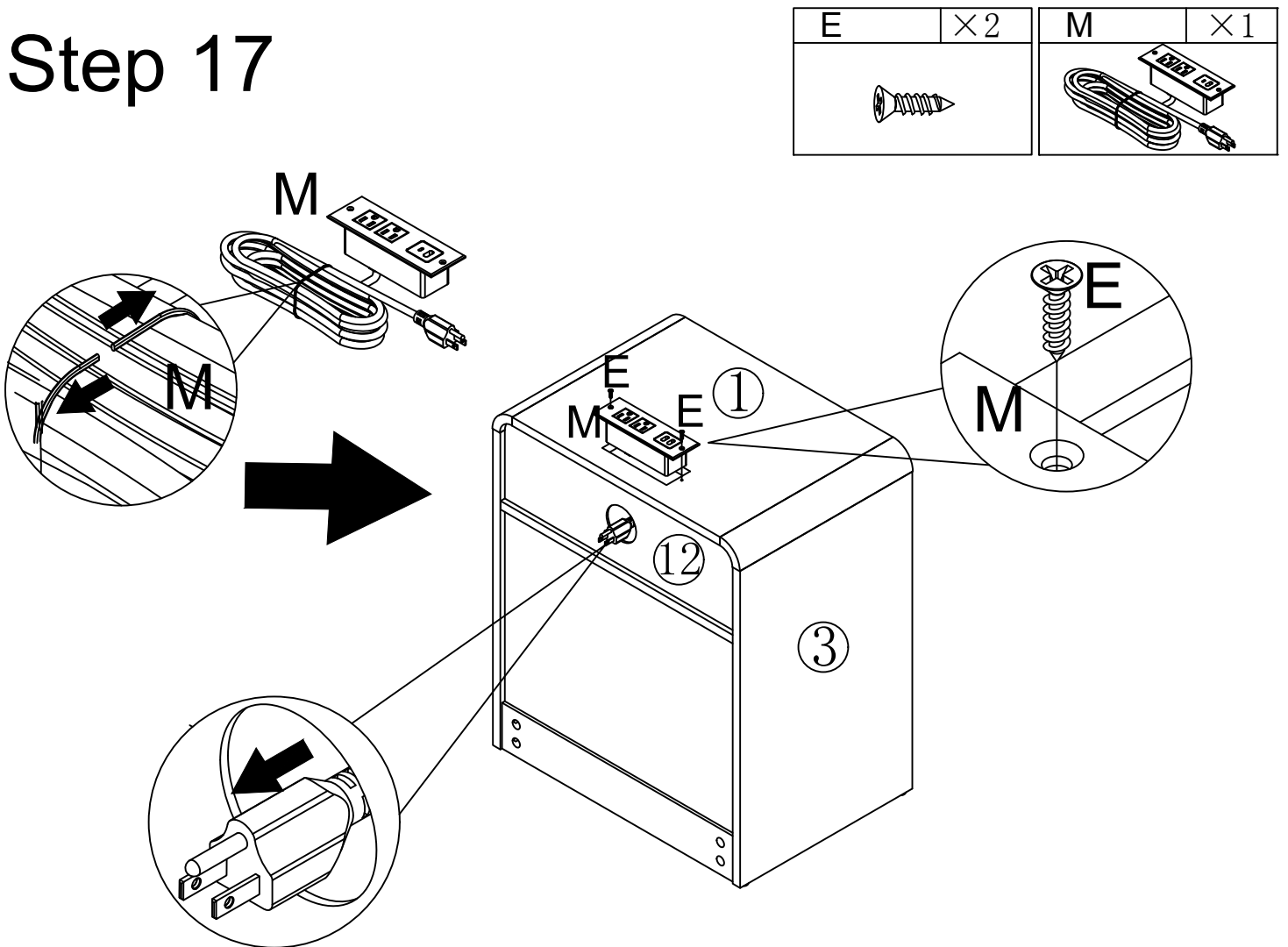
F	×2	I	×2




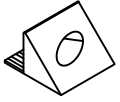
Step 16

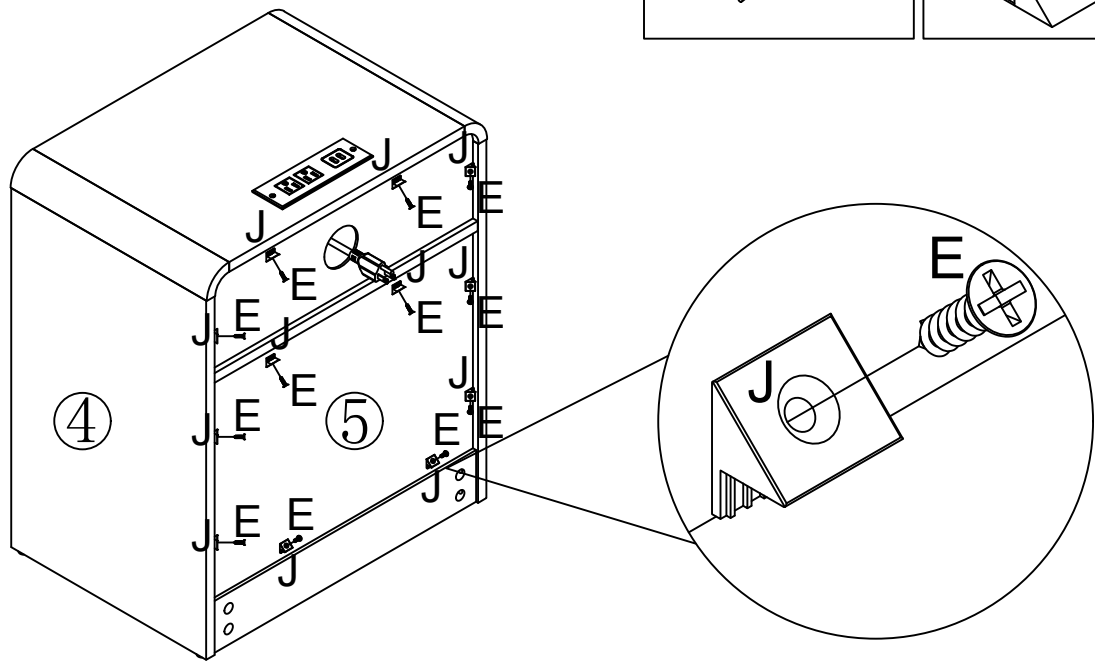


Step 17


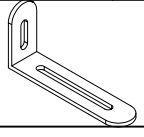



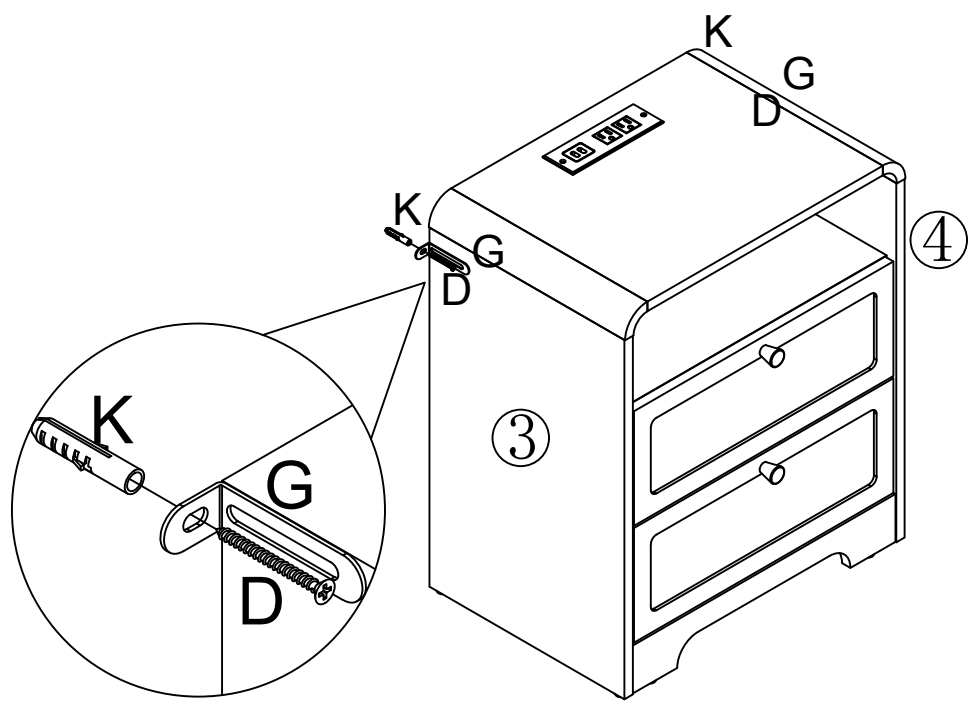
Step 18

E	×12	J	×12
			



Step 19

D	×2	G	×2	K	×2
					



Step 20

E	×2
