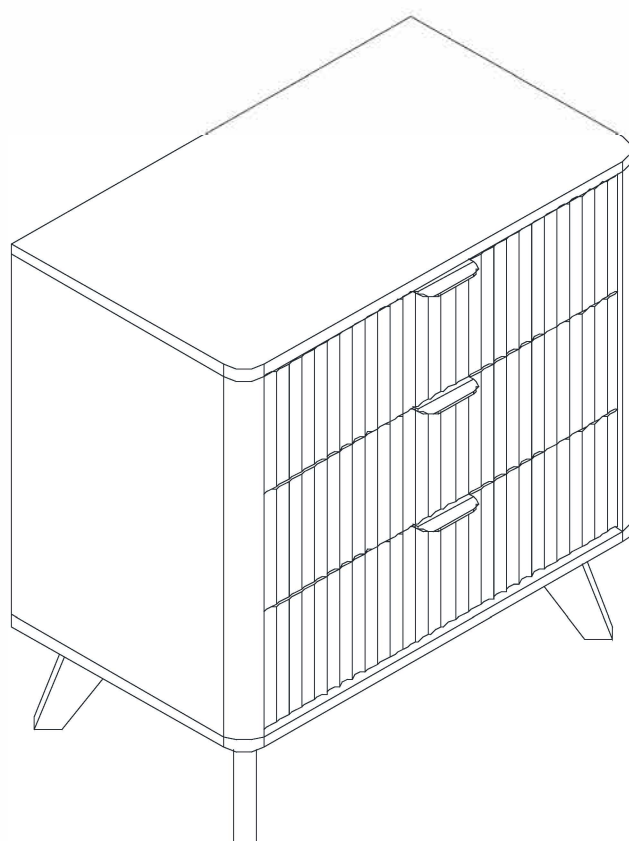
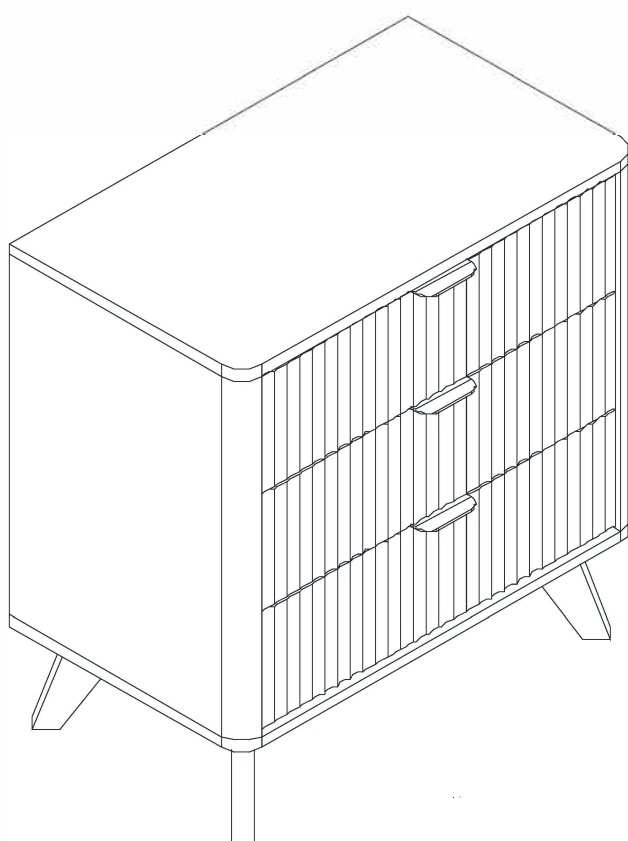


---

# Assembly Instruction

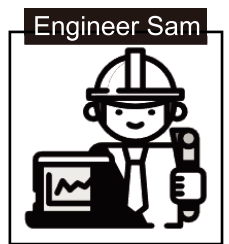
---



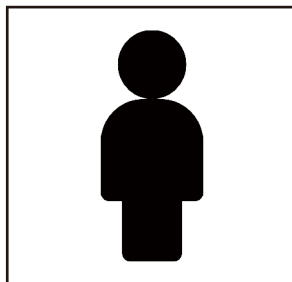
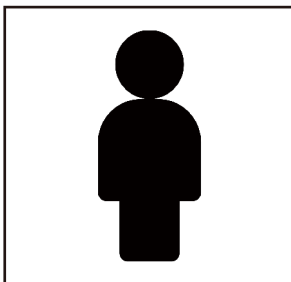
# Note

In order to enhance product durability, extend its lifespan, improve your user experience, and save time, we provide the following suggestions to assist you with the assembly process:

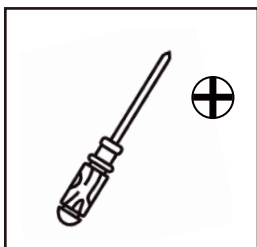
1. Please follow the installation steps to avoid unnecessary effort or assembly failures.
2. We suggest checking all screws every six months to ensure they are secure. If any screws are loose or if there are signs of rust, severe deformation, or wear, please tighten or replace the components promptly to maintain product performance and extend its lifespan.



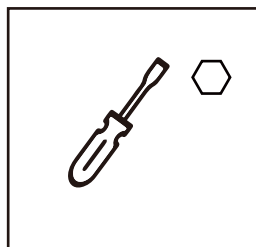
## Person Recommended



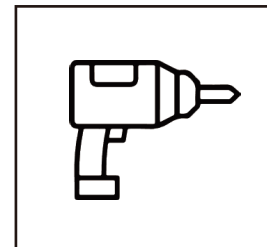
## Tools Recommended



Phillips screwdriver

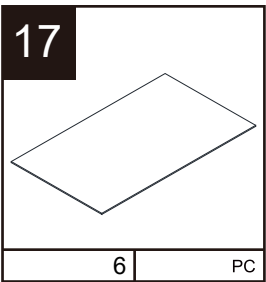
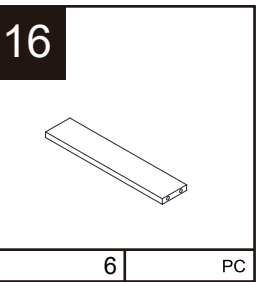
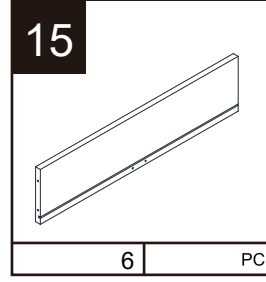
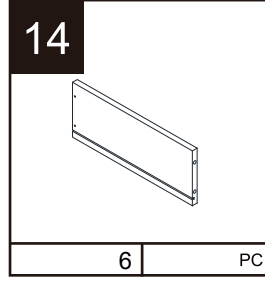
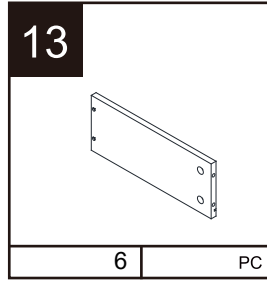
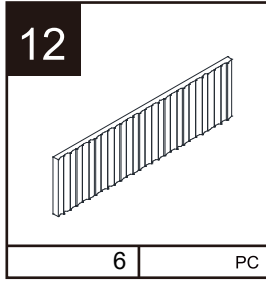
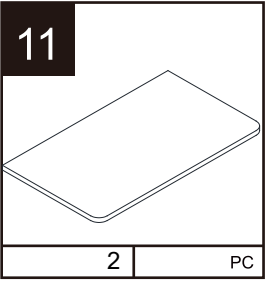
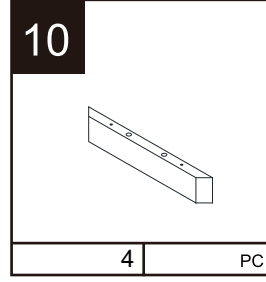
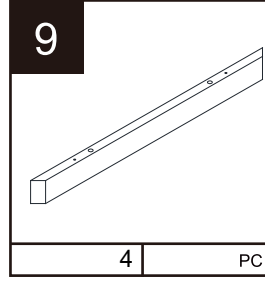
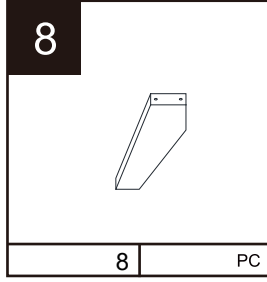
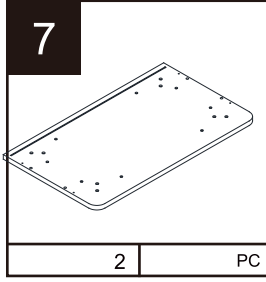
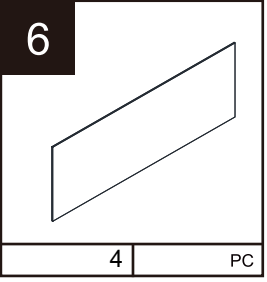
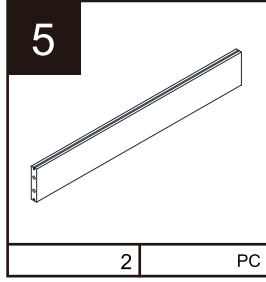
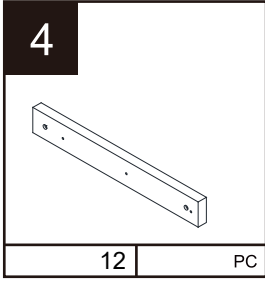
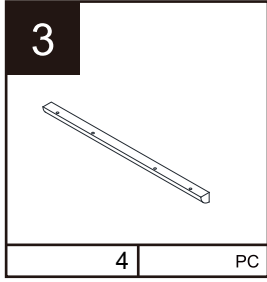
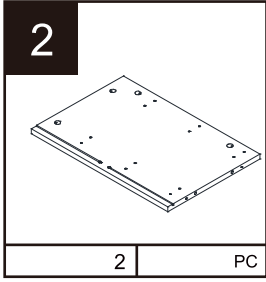
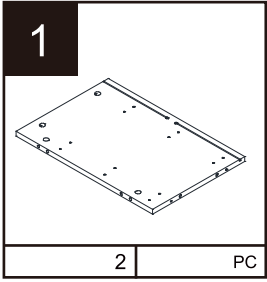


Hex bit socket screwdriver

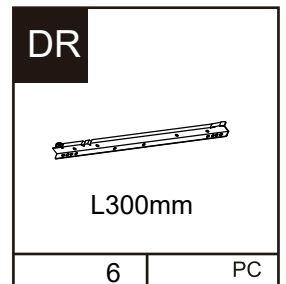
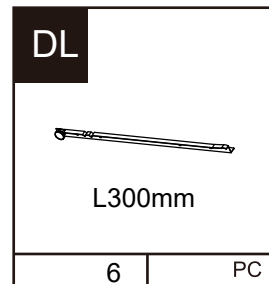
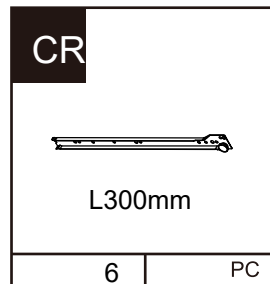
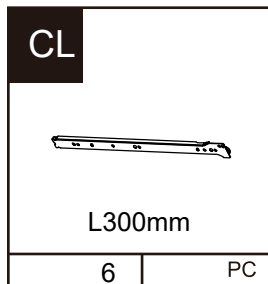
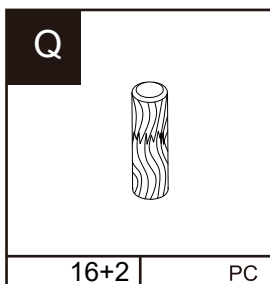
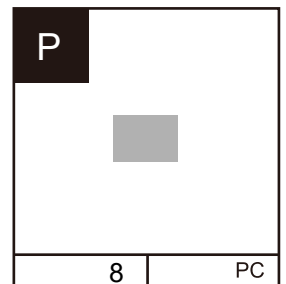
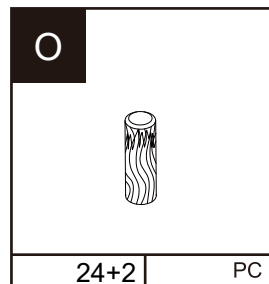
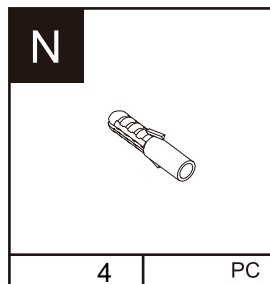
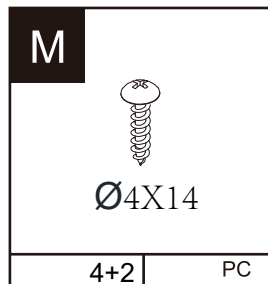
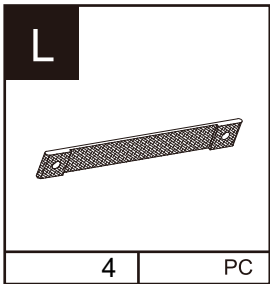
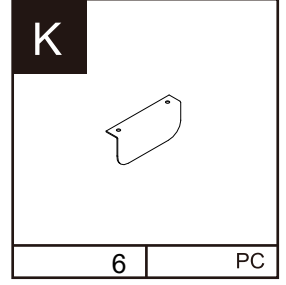
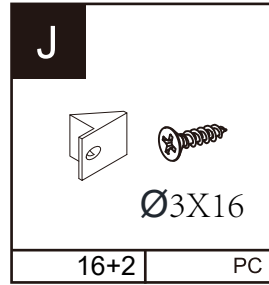
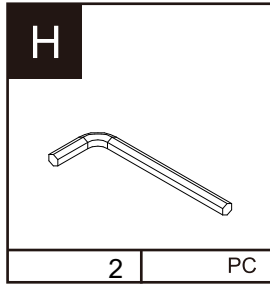
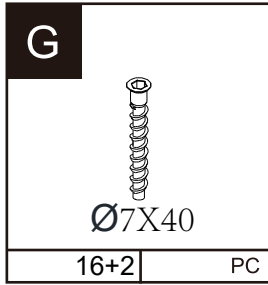
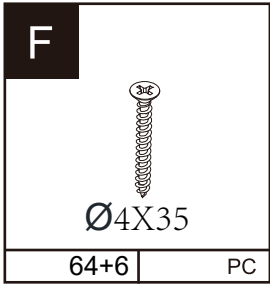
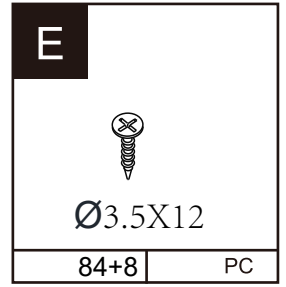
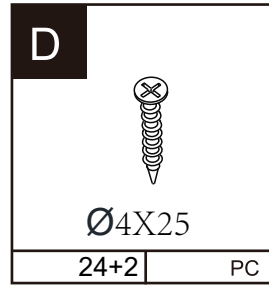
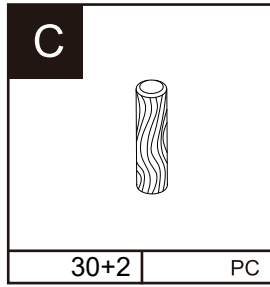
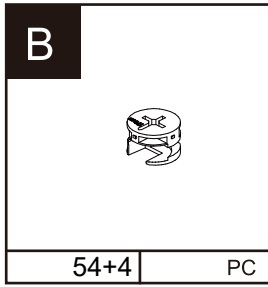
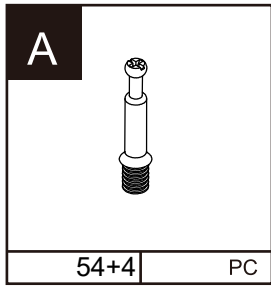


Electric drill

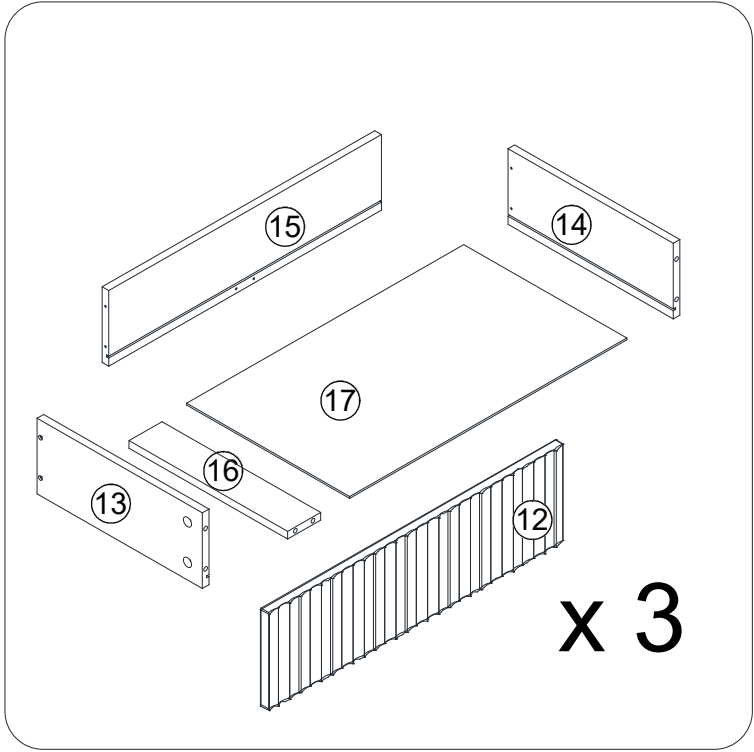
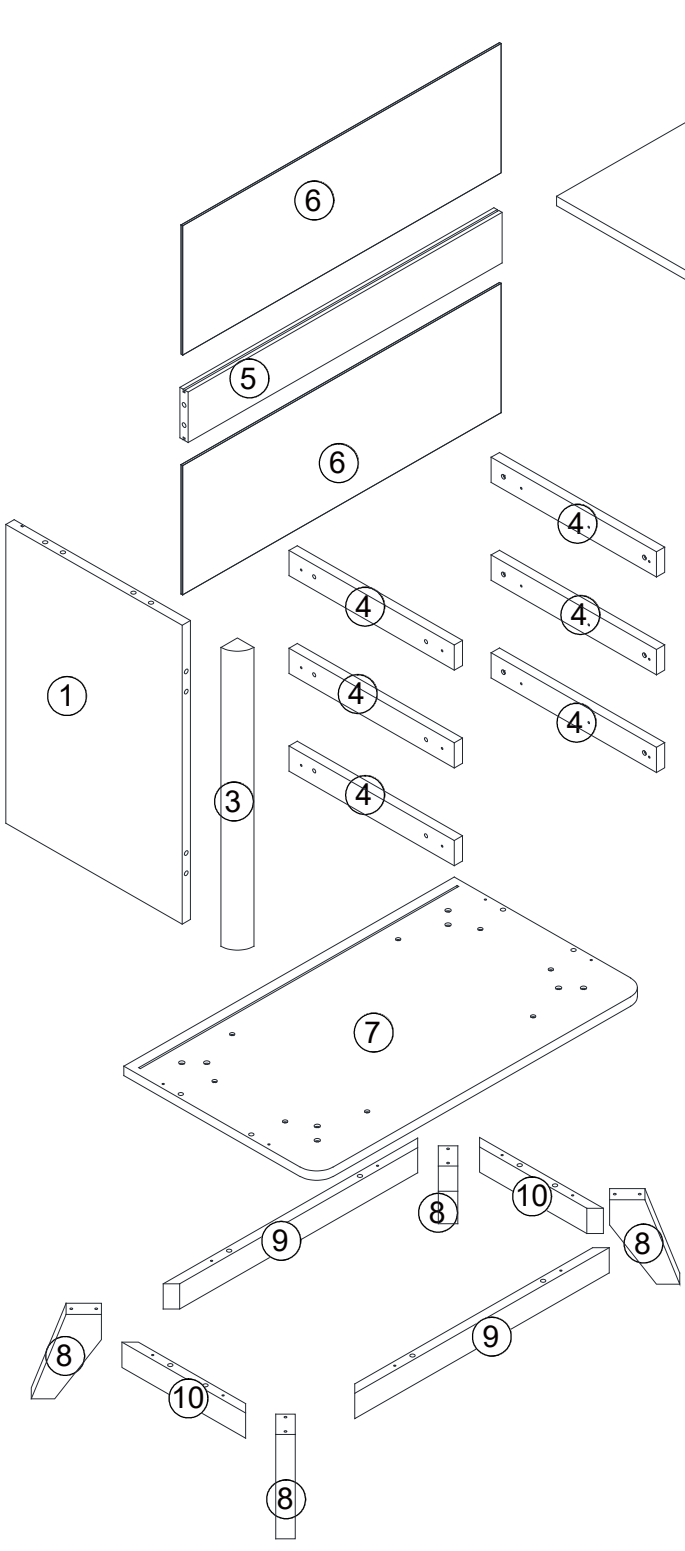
# PARTS



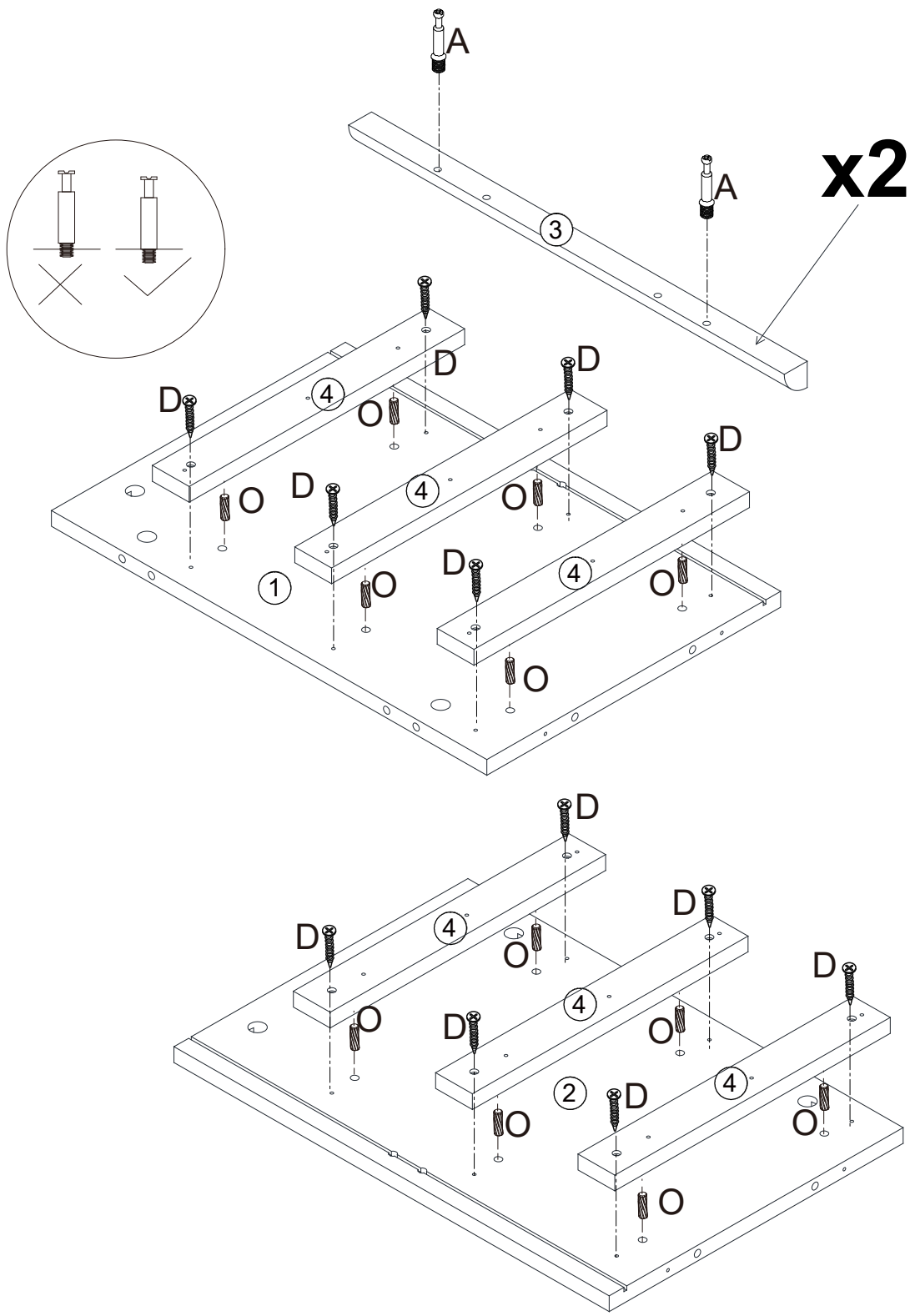
# PARTS






# Exploded Diagrams

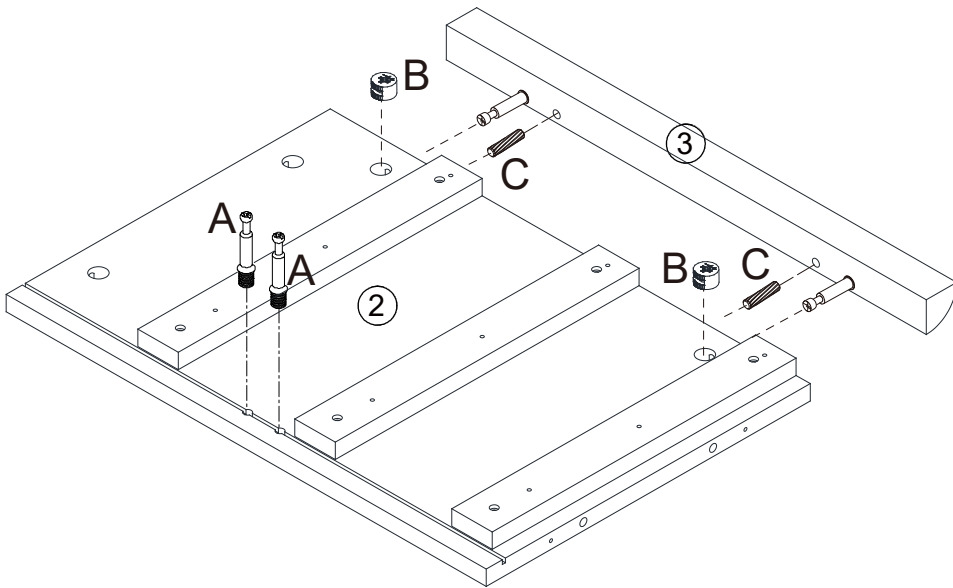
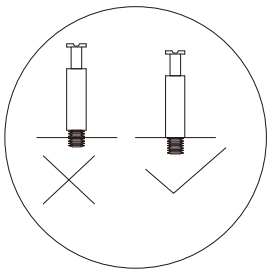
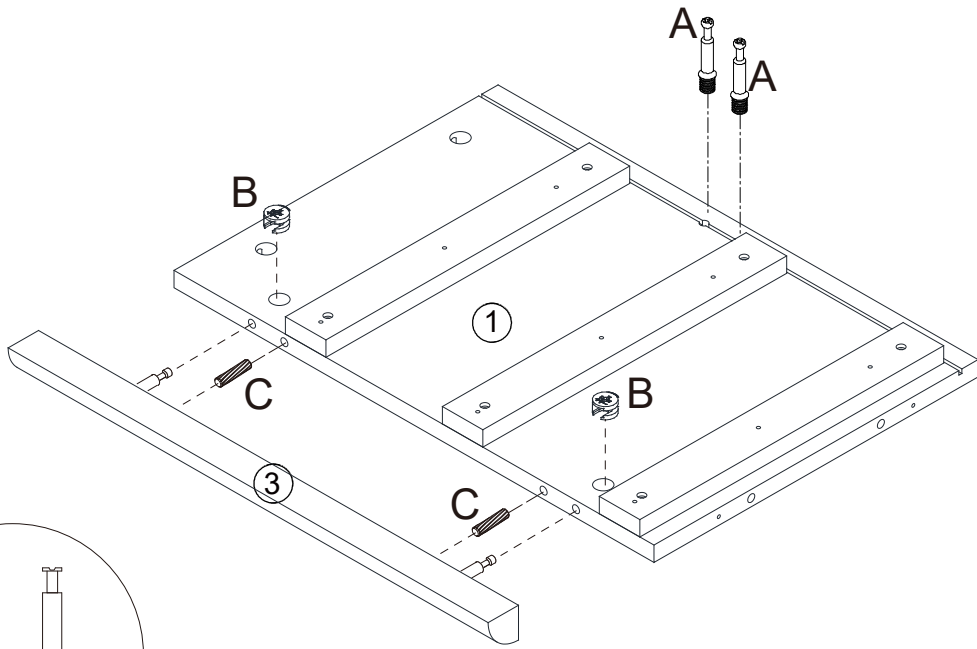





# step 1 /step17

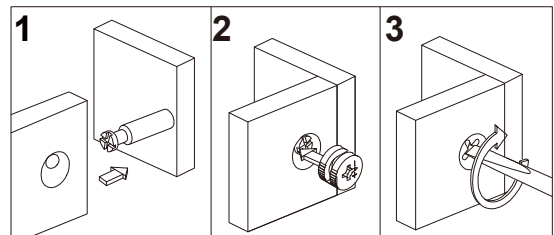


		
<p>A x 4</p>	<p>D x 12</p>	<p>O x 12</p>

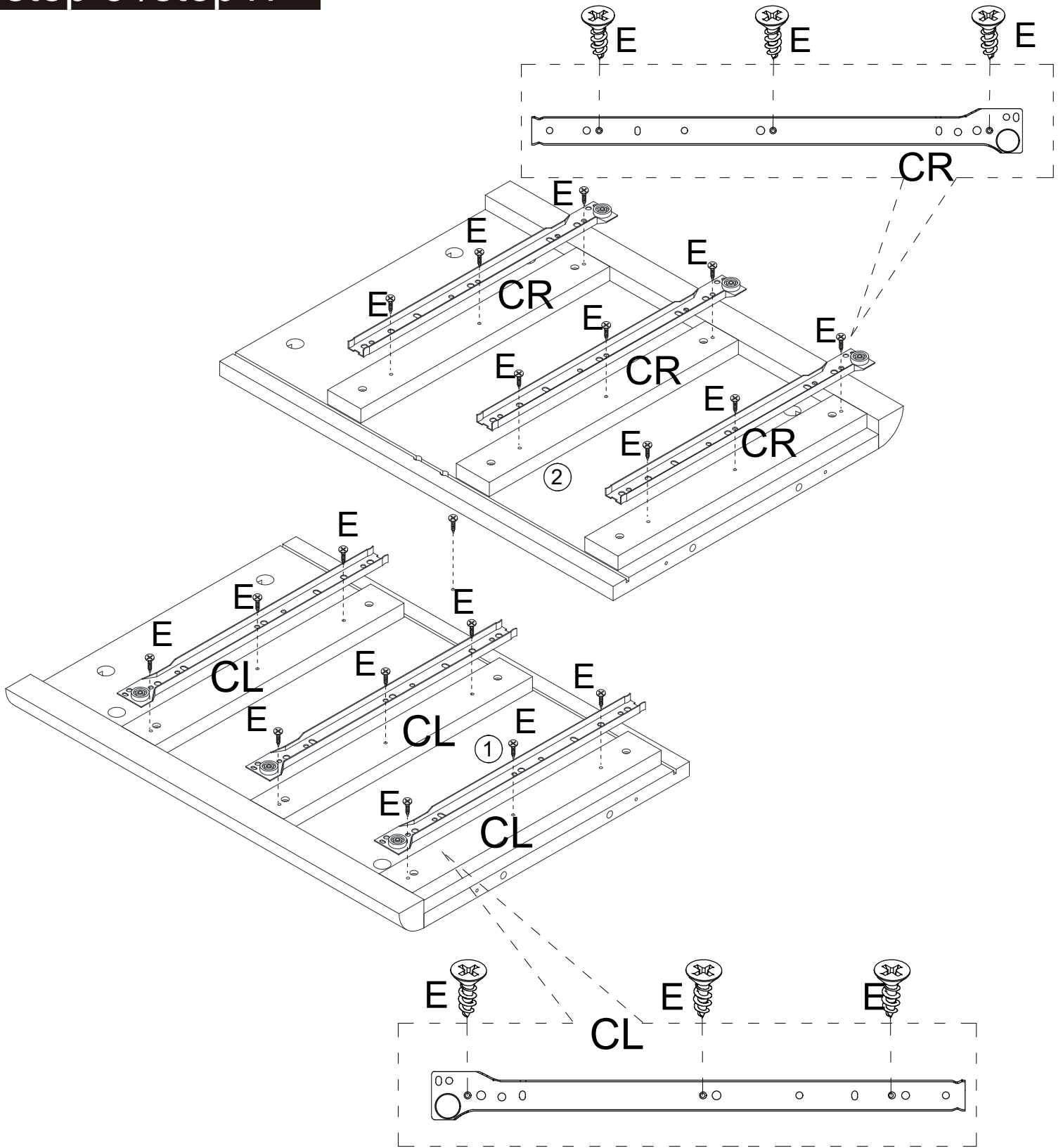
# step 2 /step17






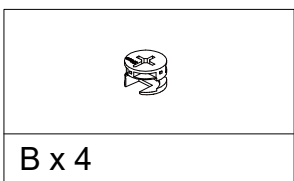
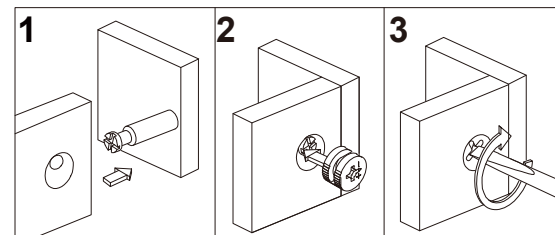
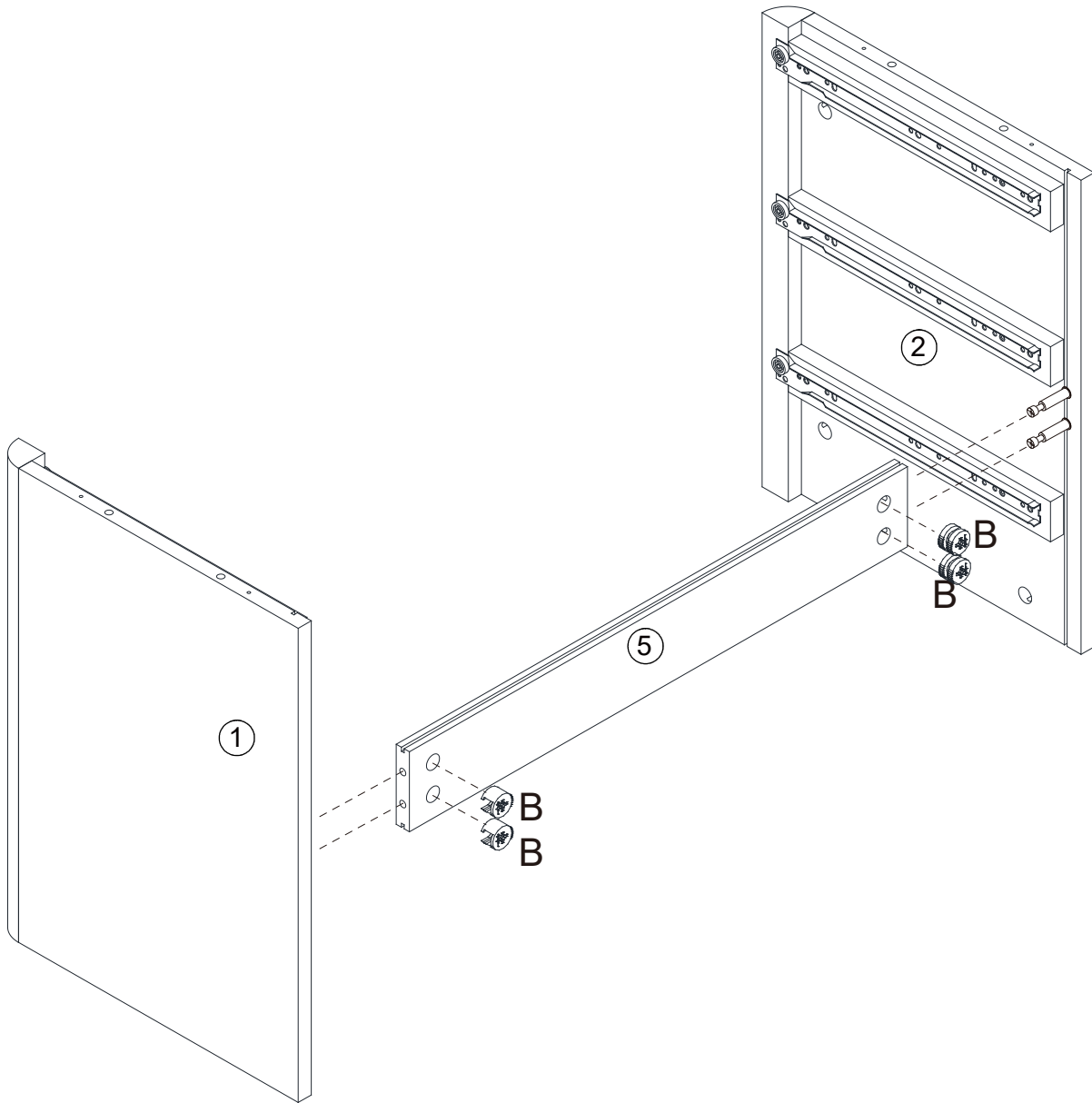
		
A x 4	B x 4	C x 4

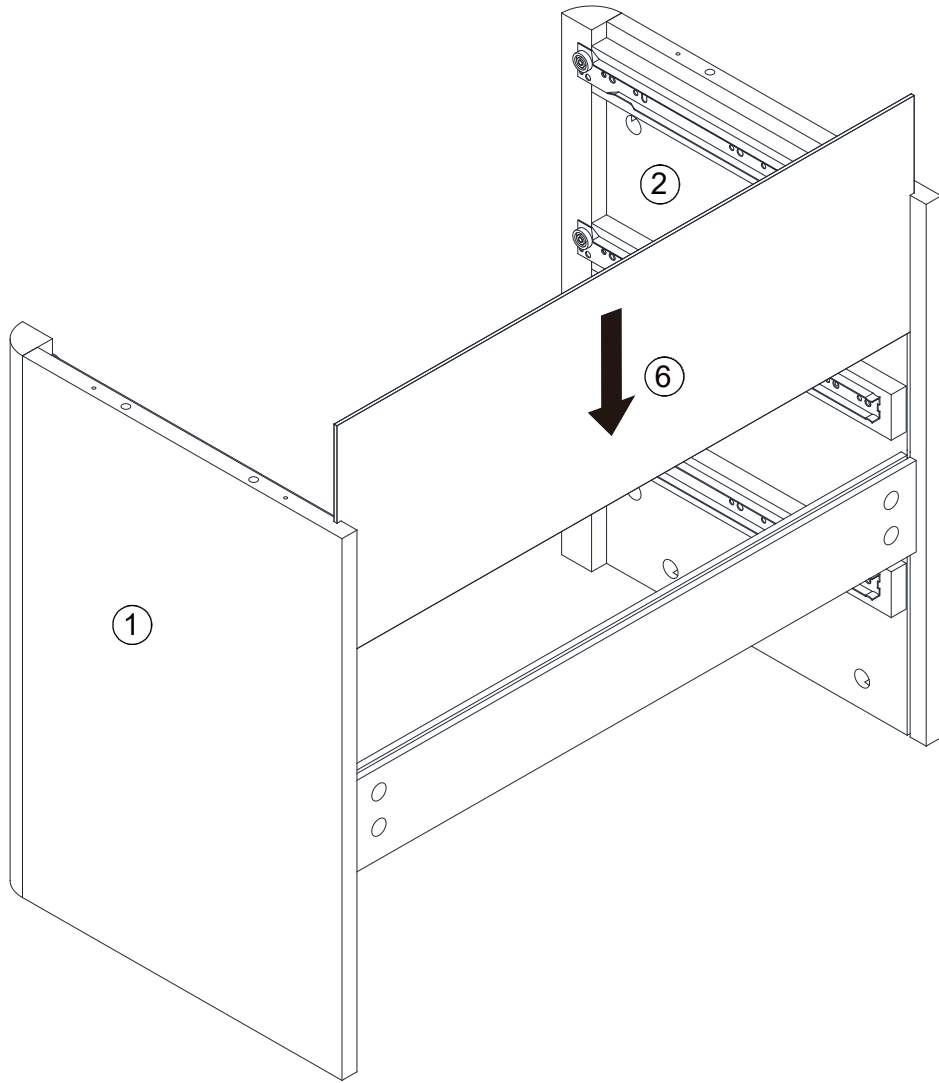


# step 3 / step17

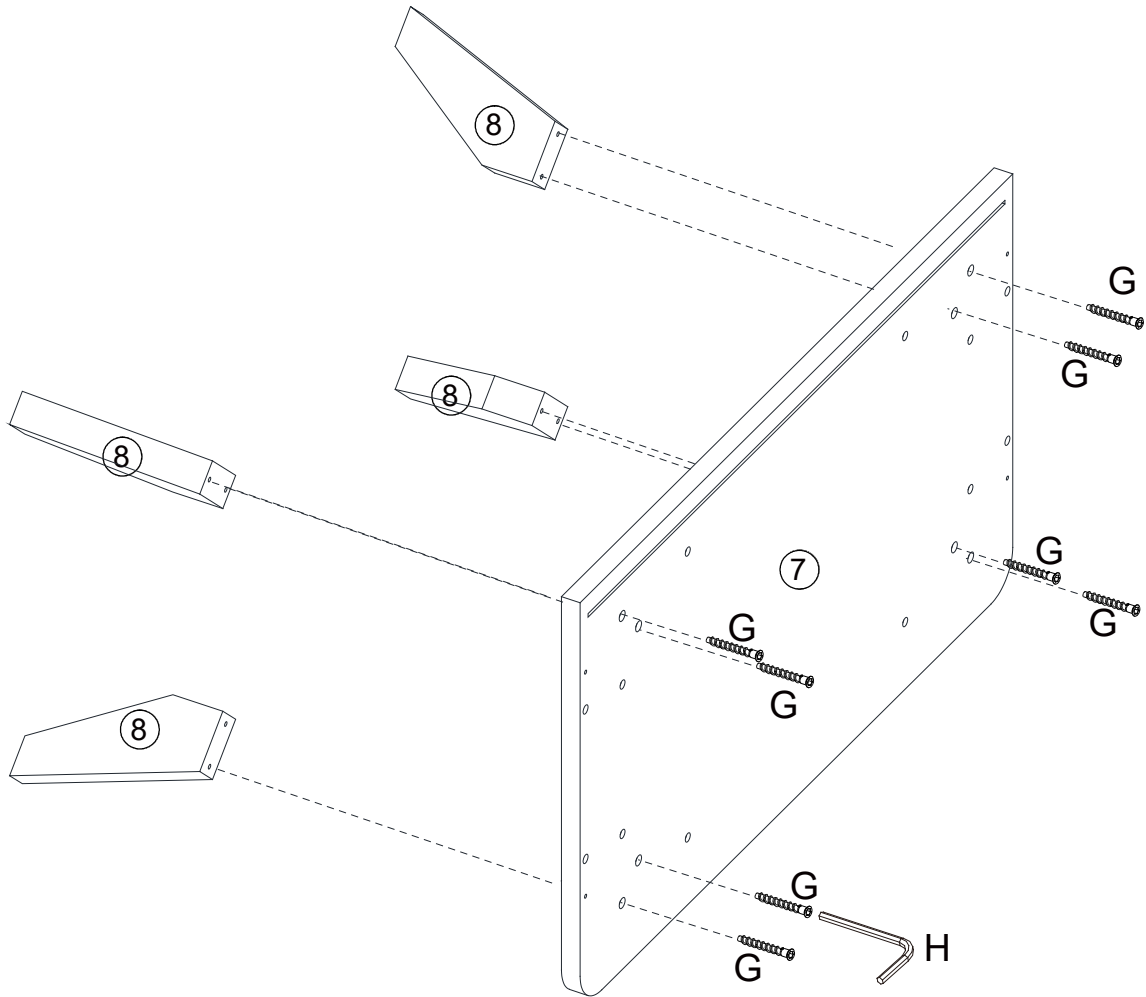



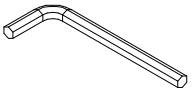
		
E x 18	CL x 3	CR x 3

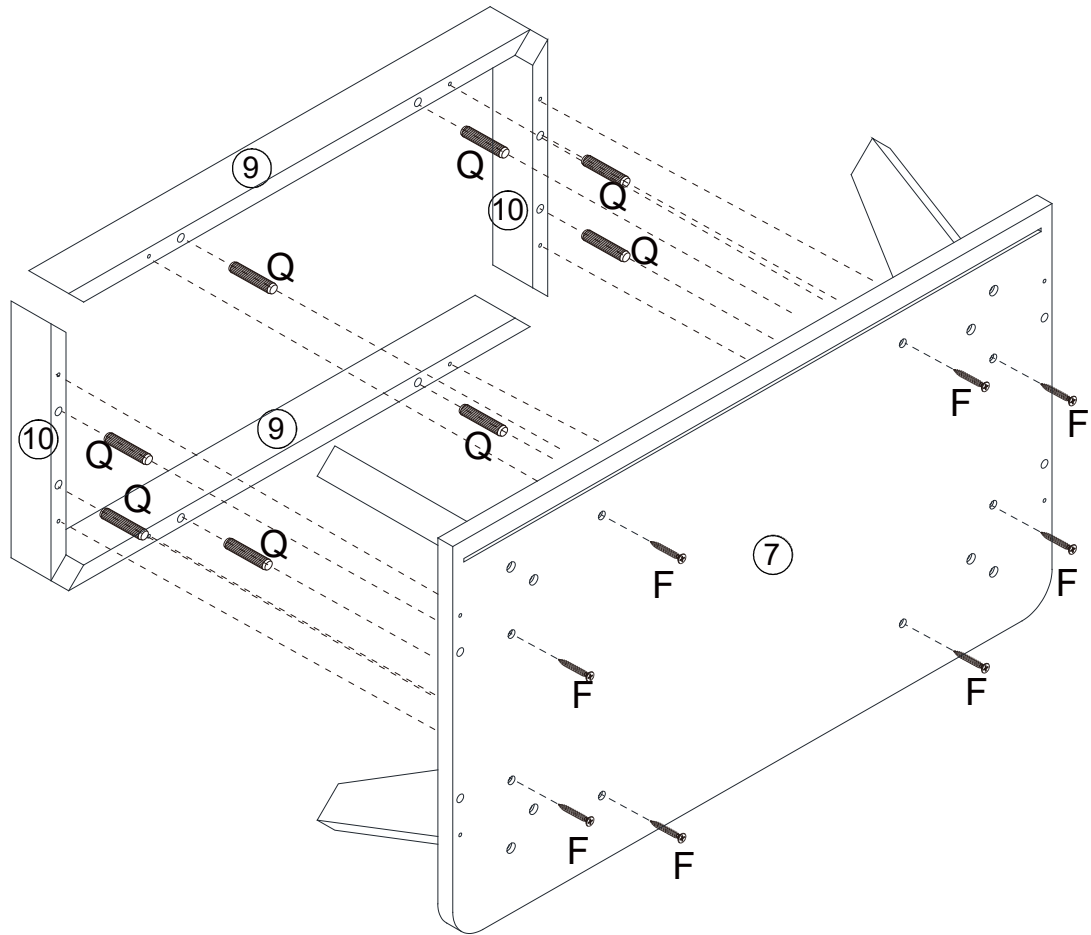






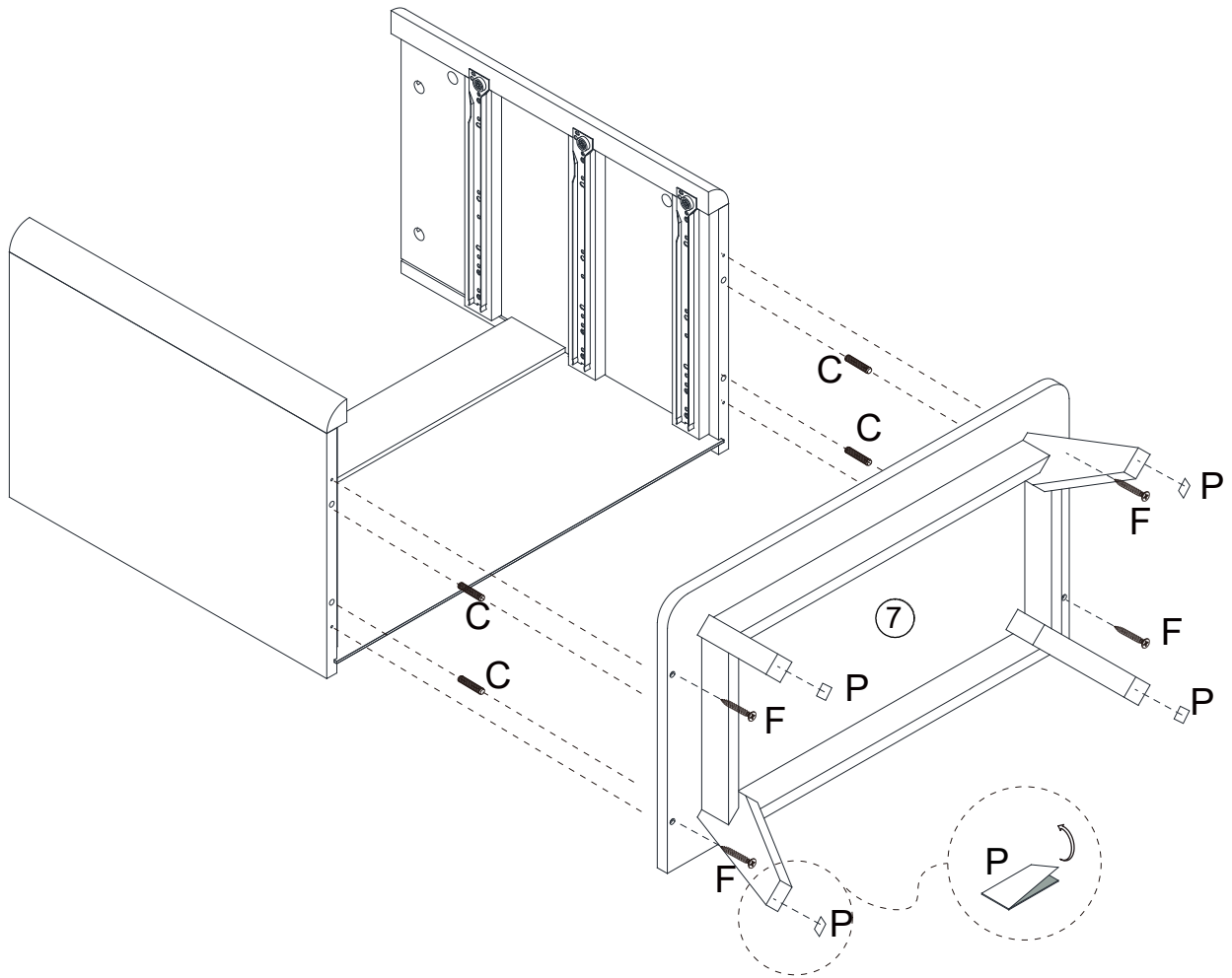
step 6 /step17






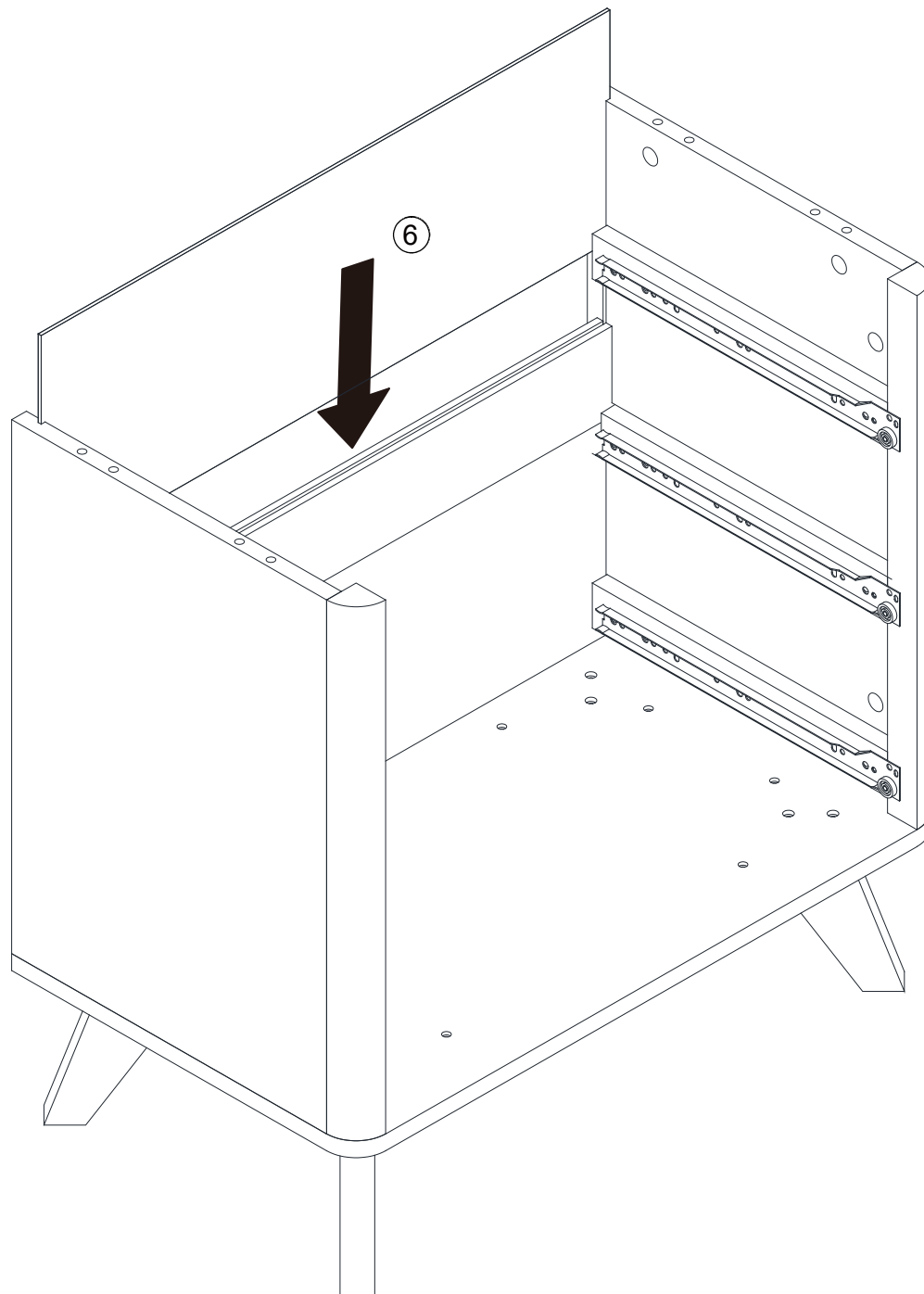
	
G x 8	H x 1

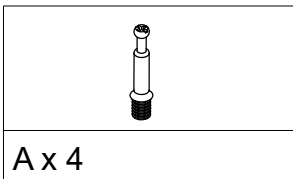
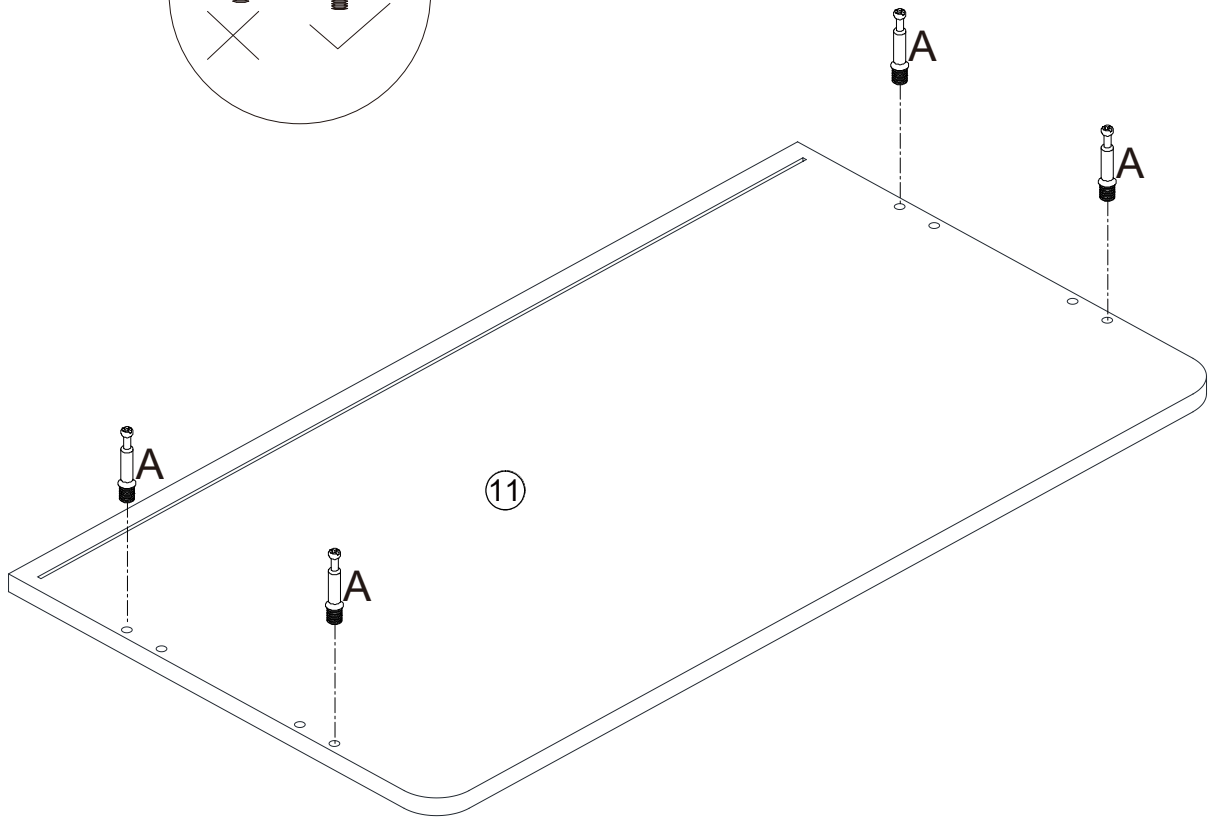
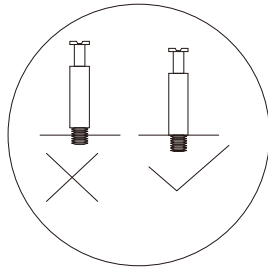


	
Q x 8	F x 8

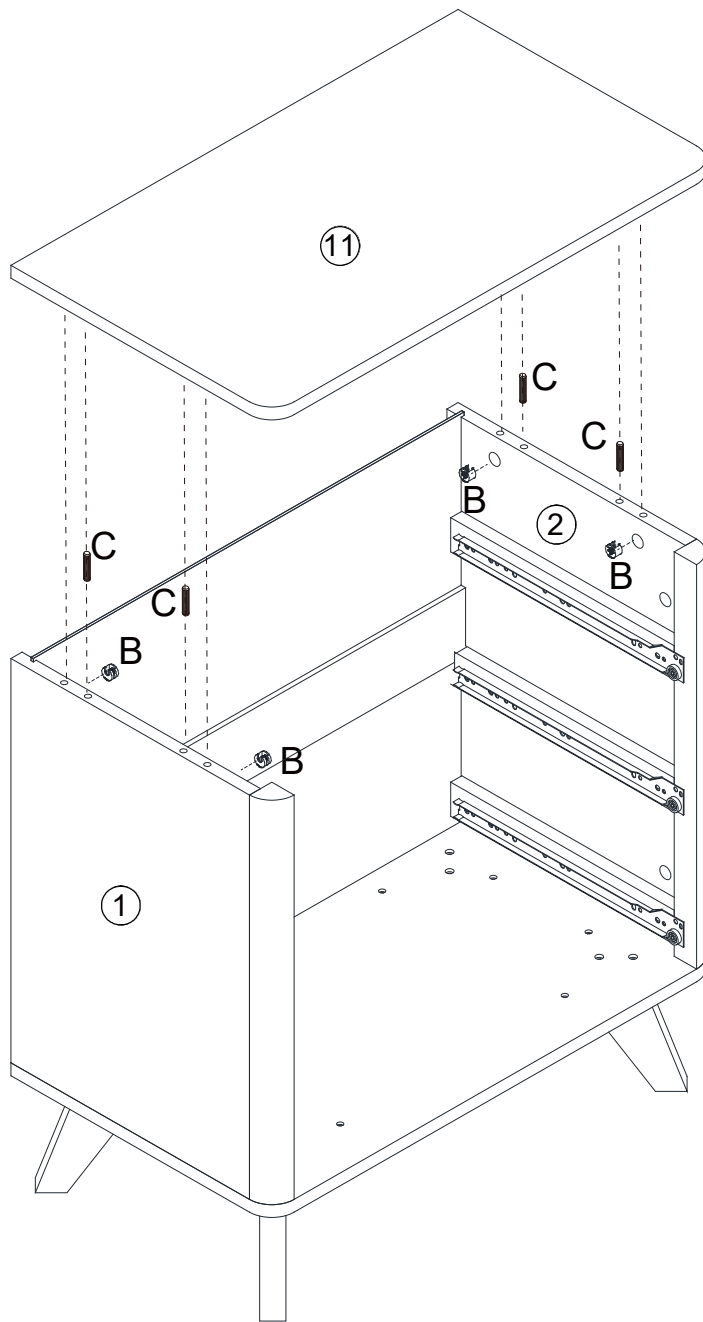




		
C x 4	F x 4	P x 4

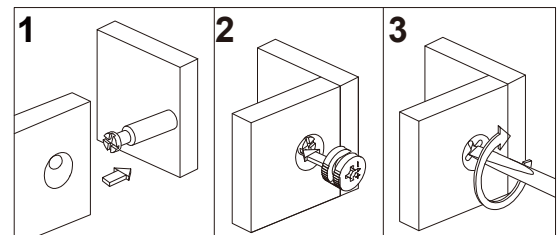


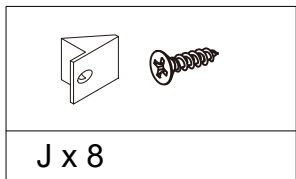
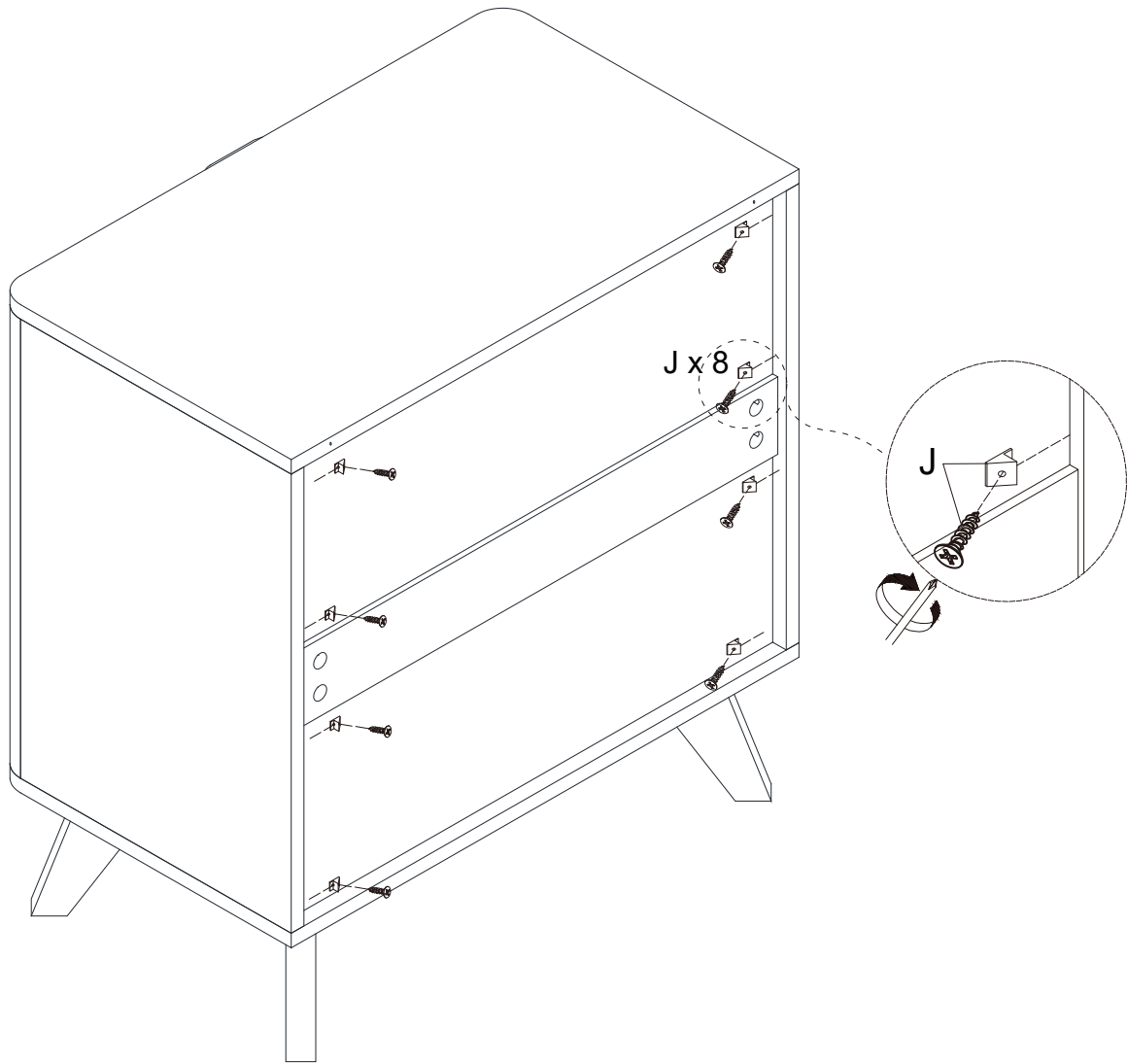


# step 11 /step17

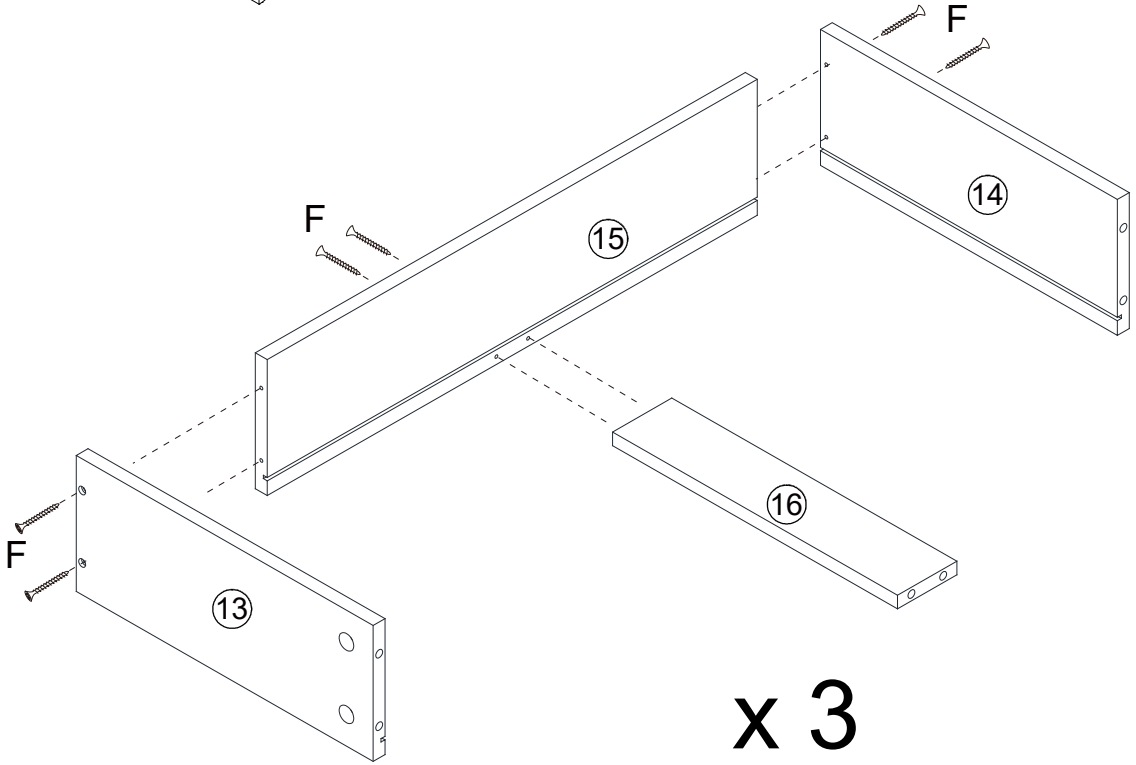
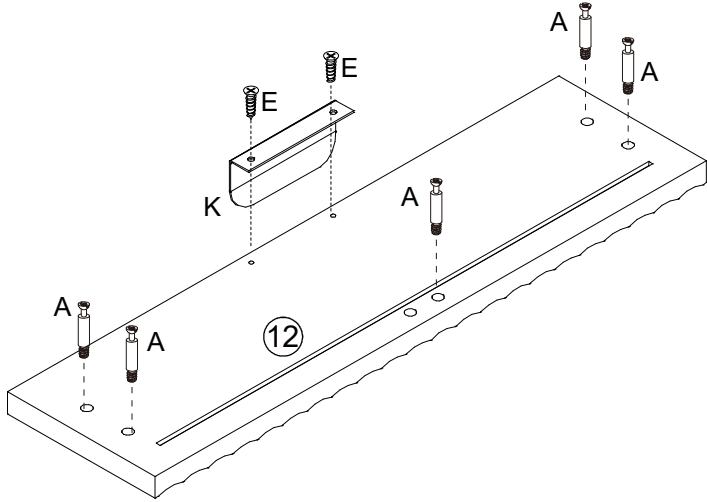


	
B x 4	C x 4







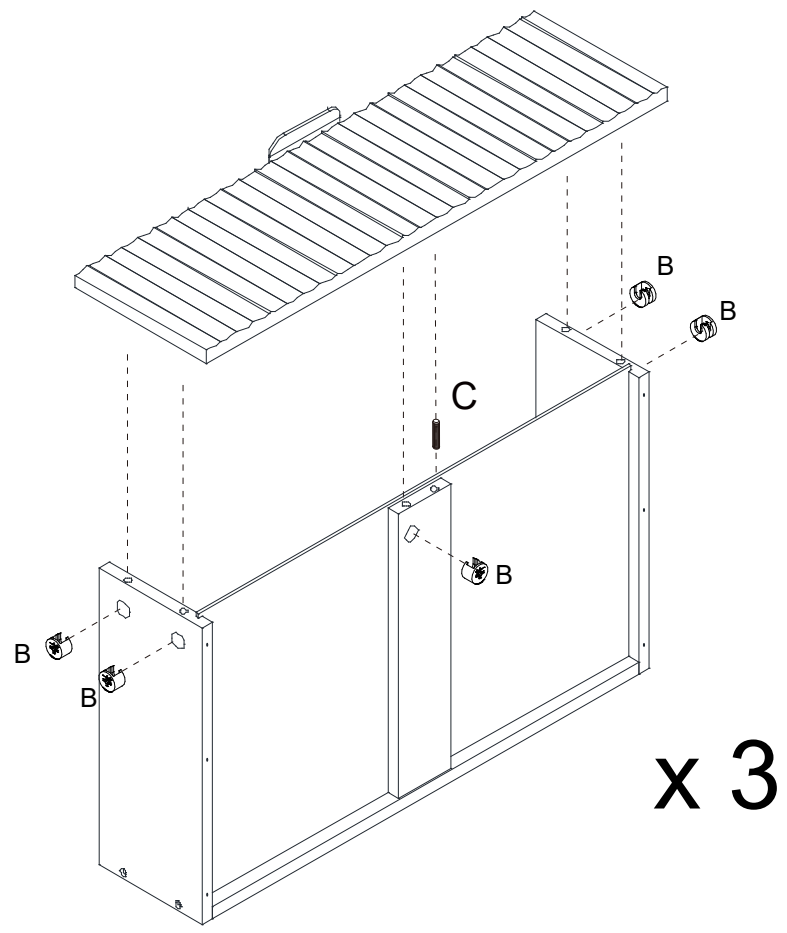
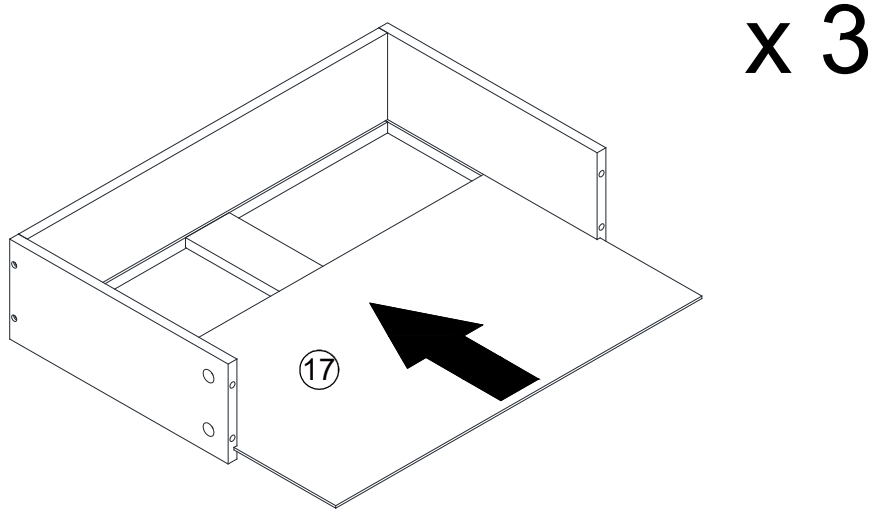




x 3



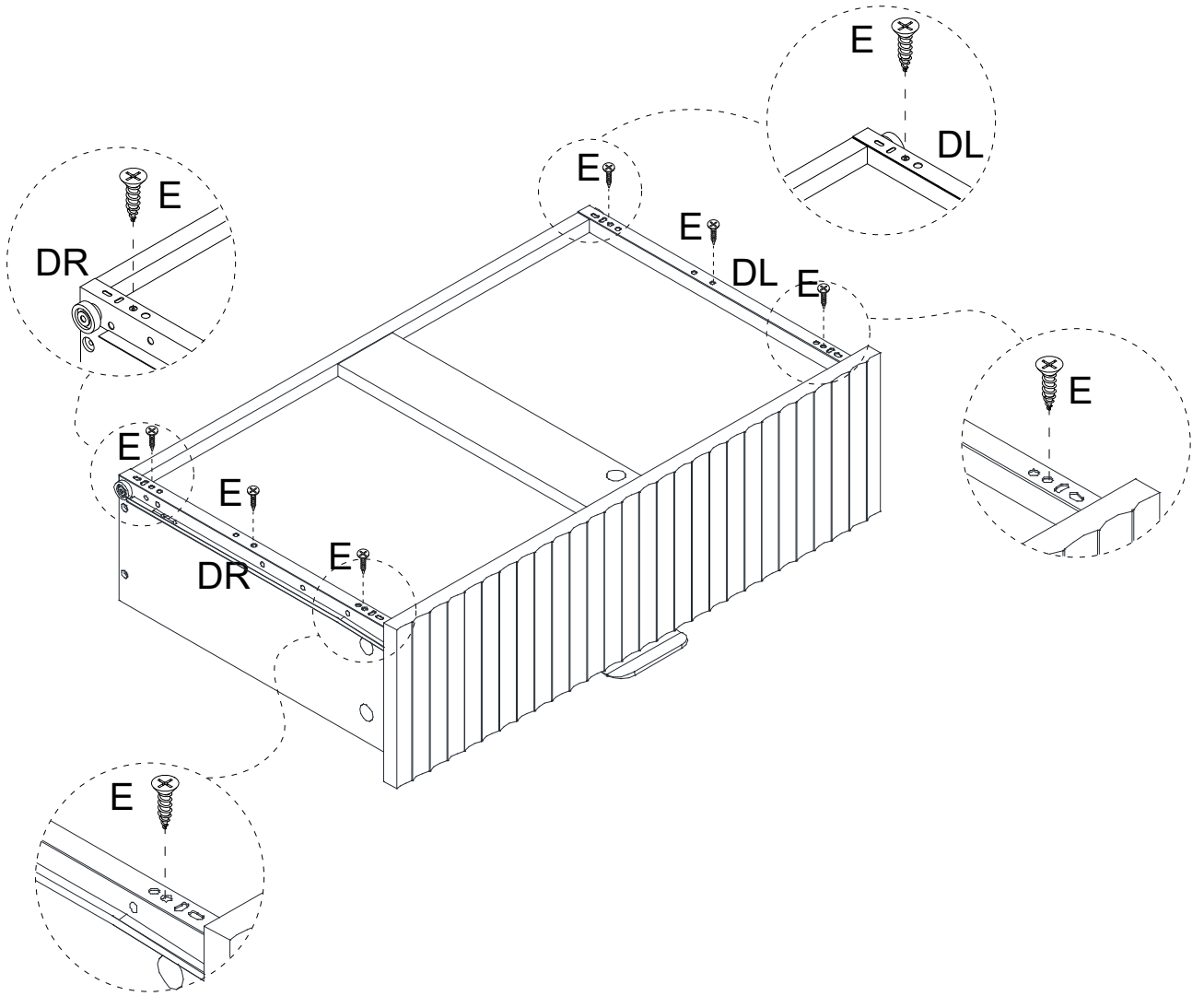
x 3




			
A x 15	F x 18	K x 3	E x 6



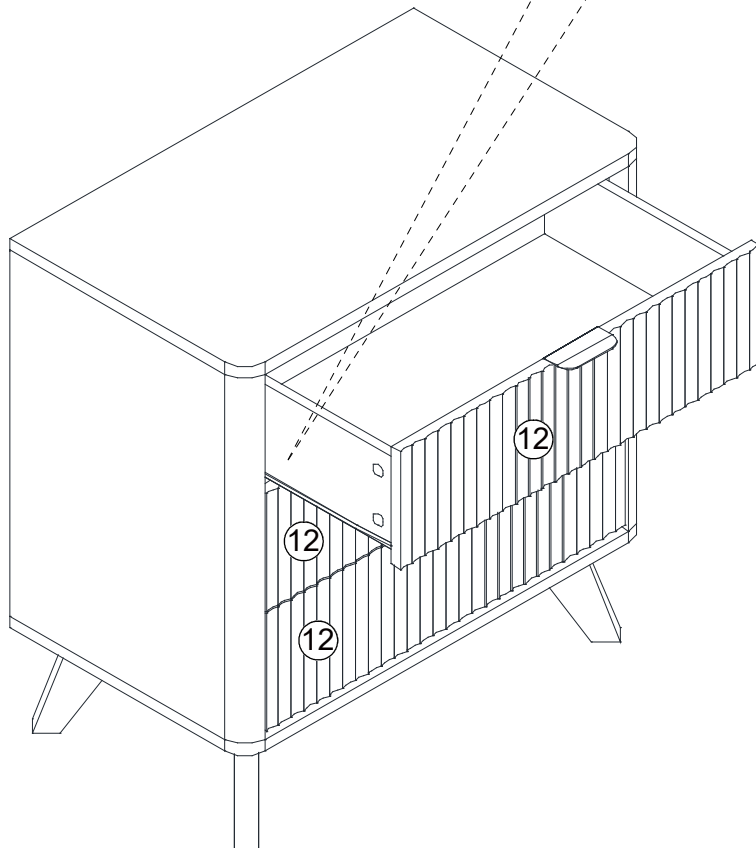
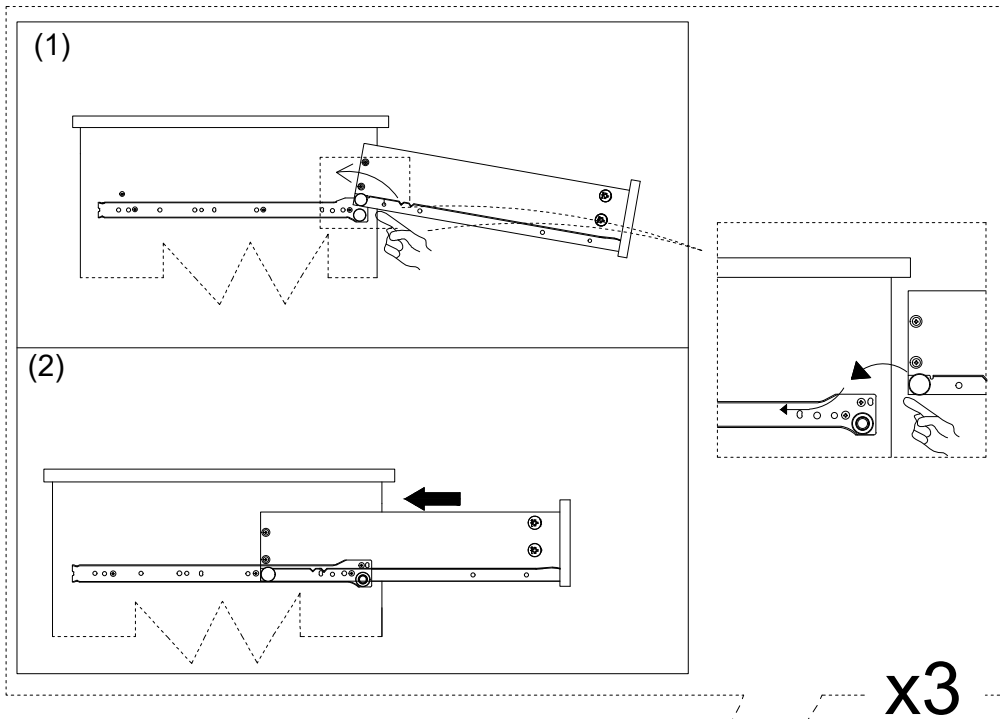
	
B x 15	C x 3

x 3

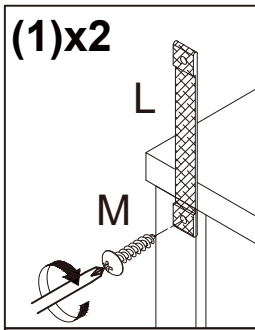


		
E x 18	DL x 3	DR x 3

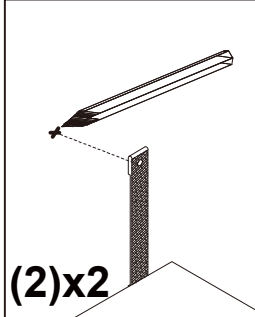
# step 16 /step17



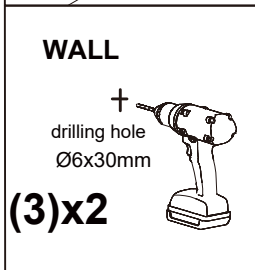
# step 17 /step17



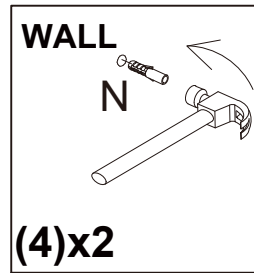
First fix the anti-rewind screw in the reserved hole of the product.



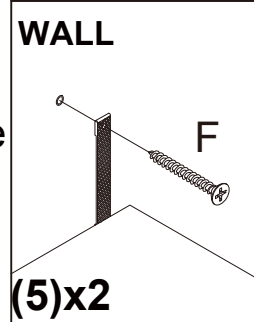
then, use a ruler to measure the approximate height of the product on the wall, and then mark it with a pen.



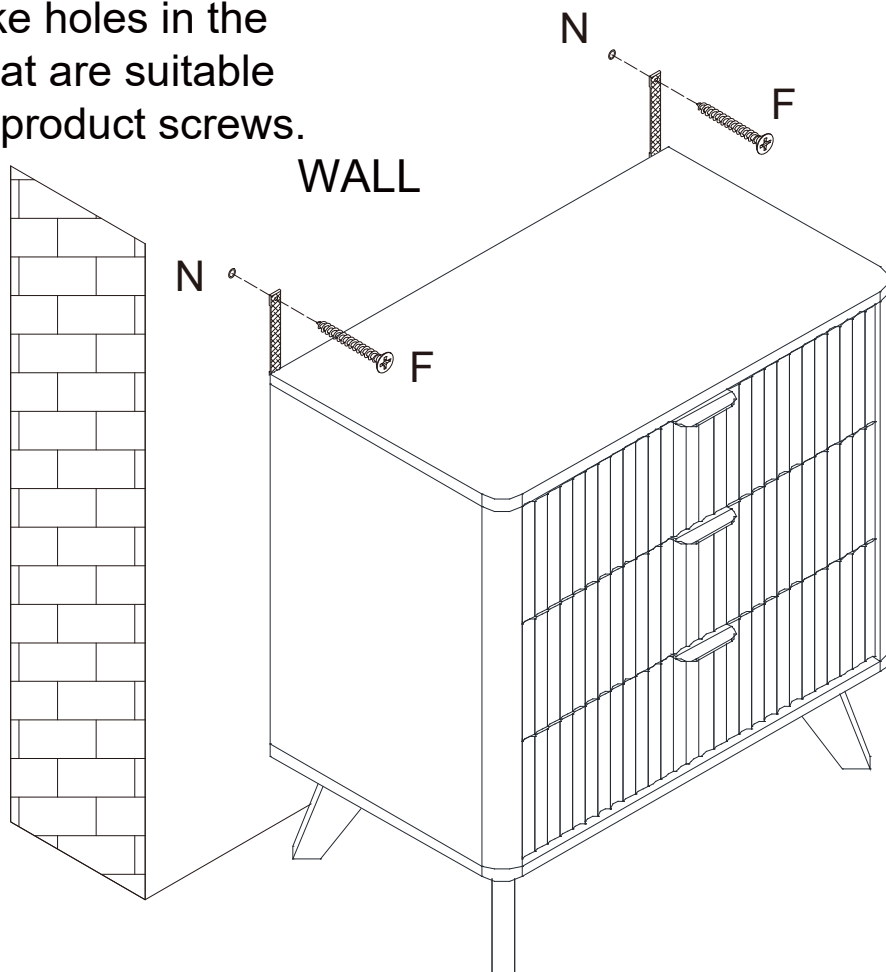
Then use a tape drill to make holes in the wall that are suitable for the product screws.







Then, put the expansion bolt into the hole



Finally, pass the matching screws through the "anti-rewind" and tighten them to fix them on the wall.



			
F X 2	N X 2	L X 2	M X 2

