

ASSEMBLY INSTRUCTIONS COASTER FINE FURNITURE



Fine Furniture for every stage of life

TV CONSOLE

ASSEMBLY INSTRUCTIONS

ASSEMBLY TIPS:

1. Remove hardware from box and sort by size.
2. Please check to see that all hardware and parts are present prior to start of assembly.
3. Please follow attached instructions in the same sequence as numbered to assure fast & easy assembly.



WARNING!

1. Don't attempt to repair or modify parts that are broken or defective. Please contact the store immediately.
2. This product is for home use only and not intended for commercial establishments.

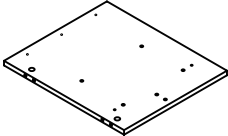
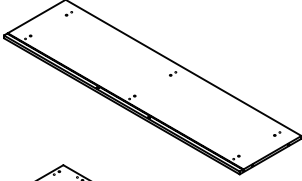
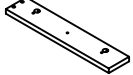
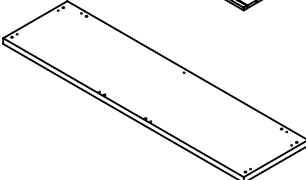
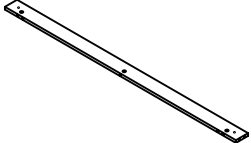
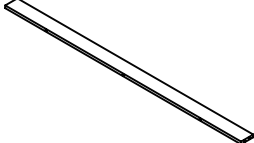

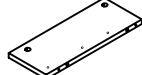
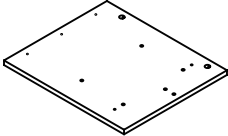
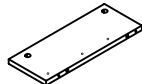
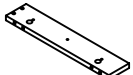
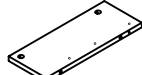
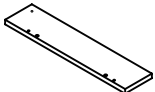
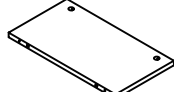
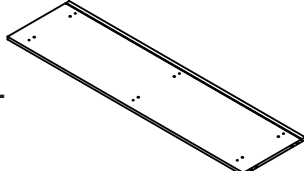
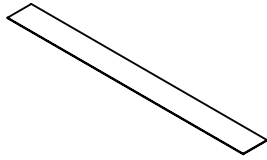


ASSEMBLY TIME

60 MINUTES

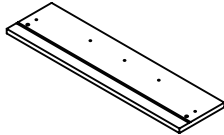

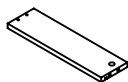
MAX TV SIZE : 65"

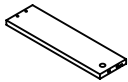
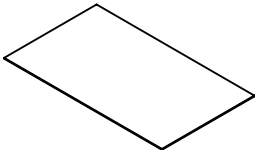
PARTS IDENTIFICATION

| | | | | | | | |
|---|---------------------|---|------|---|----------------------------|---|------|
| A | LEFT SIDE PANEL |  | 1 PC | I | CROSS PANEL |  | 1 PC |
| B | LEFT CROSS BRACE |  | 1 PC | J | TOP PANEL |  | 1 PC |
| C | LONG CROSS BRACE |  | 1 PC | K | LOWER CROSS BRACE |  | 1 PC |
| D | LEFT DIVIDER PANEL |  | 1 PC | L | LOWER LEFT DIVIDER PANEL |  | 1 PC |
| E | RIGHT SIDE PANEL |  | 1 PC | M | LOWER MIDDLE DIVIDER PANEL |  | 1 PC |
| F | RIGHT CROSS BRACE |  | 1 PC | N | LOWER RIGHT DIVIDER PANEL |  | 1 PC |
| G | RIGHT DIVIDER PANEL |  | 1 PC | O | UPPER BACK PANEL |  | 1 PC |
| H | BOTTOM PANEL |  | 1 PC | P | LOWER BACK PANEL |  | 1 PC |

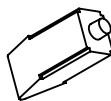










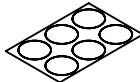

NOTE:

Phillips head screw driver is required in the assembly process; however, manufacturer does not provide this item.

| | | | |
|---|------------------------|---|-------|
| Q | DRAWER FRONT PANEL |  | 2 PCS |
| R | DRAWER BACK PANEL |  | 2 PCS |
| S | LEFT DRAWER SIDE PANEL |  | 2 PCS |

| | | | |
|---|-------------------------|---|-------|
| T | RIGHT DRAWER SIDE PANEL |  | 2 PCS |
| U | DRAWER BOTTOM PANEL |  | 2 PCS |

HARDWARE IDENTIFICATION

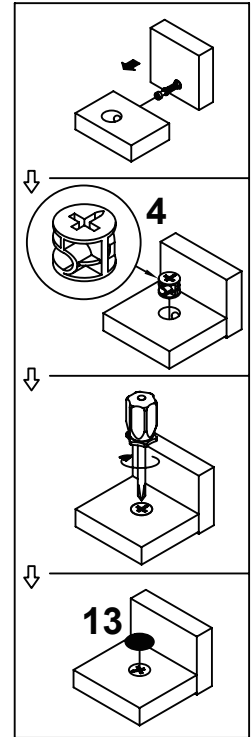
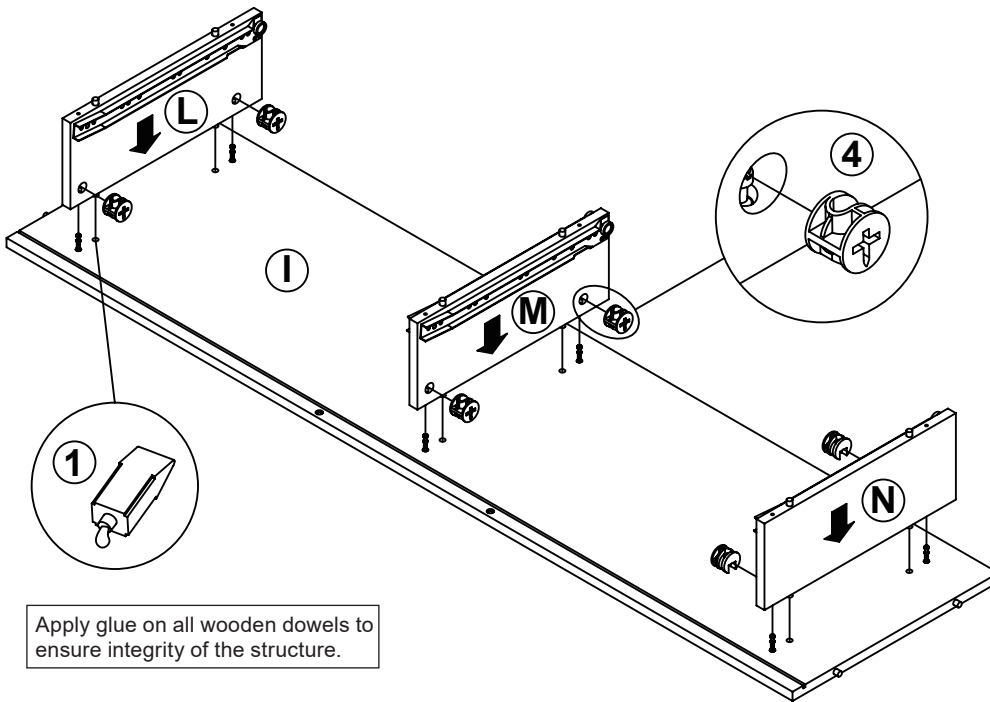
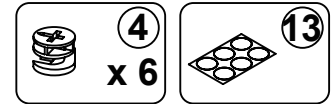
| Z | DESCRIPTION | FIGURE | Q'TY | | DESCRIPTION | FIGURE | Q'TY |
|---|-----------------------------|---|--------|----|------------------------------|---|--------|
| 1 | GLUE 40g |  | 1 PC | 8 | SHORT SCREW Ø 3x10mm SR |  | 24 PCS |
| 2 | WOODEN DOWEL Ø 8x30mm |  | 49 PCS | 9 | PLASTIC FEET Ø 15mm |  | 5 PCS |
| 3 | CAM BOLT Ø 7x35.5mm SR |  | 27 PCS | 10 | HANDLE L = 290mm |  | 2 PCS |
| 4 | CAM LOCK Ø 15x12mm SR |  | 27 PCS | 11 | HANDLE BOLT Ø 4x28mm SR |  | 6 PCS |
| 5 | LONG SCREW Ø 4.5x42mm SR |  | 8 PCS | 12 | ALLEN WRENCH Ø 4x28mm RBW |  | 8 PCS |
| 6 | SCREW Ø 4.3x35mm SR |  | 8 PCS | 13 | STICKER Ø 20mm |  | 5 PCS |
| 7 | RAIL L = 350mm WHT |  | 2 SET | | | | |

Z7,Z10,Z11 not included in blister packaging.

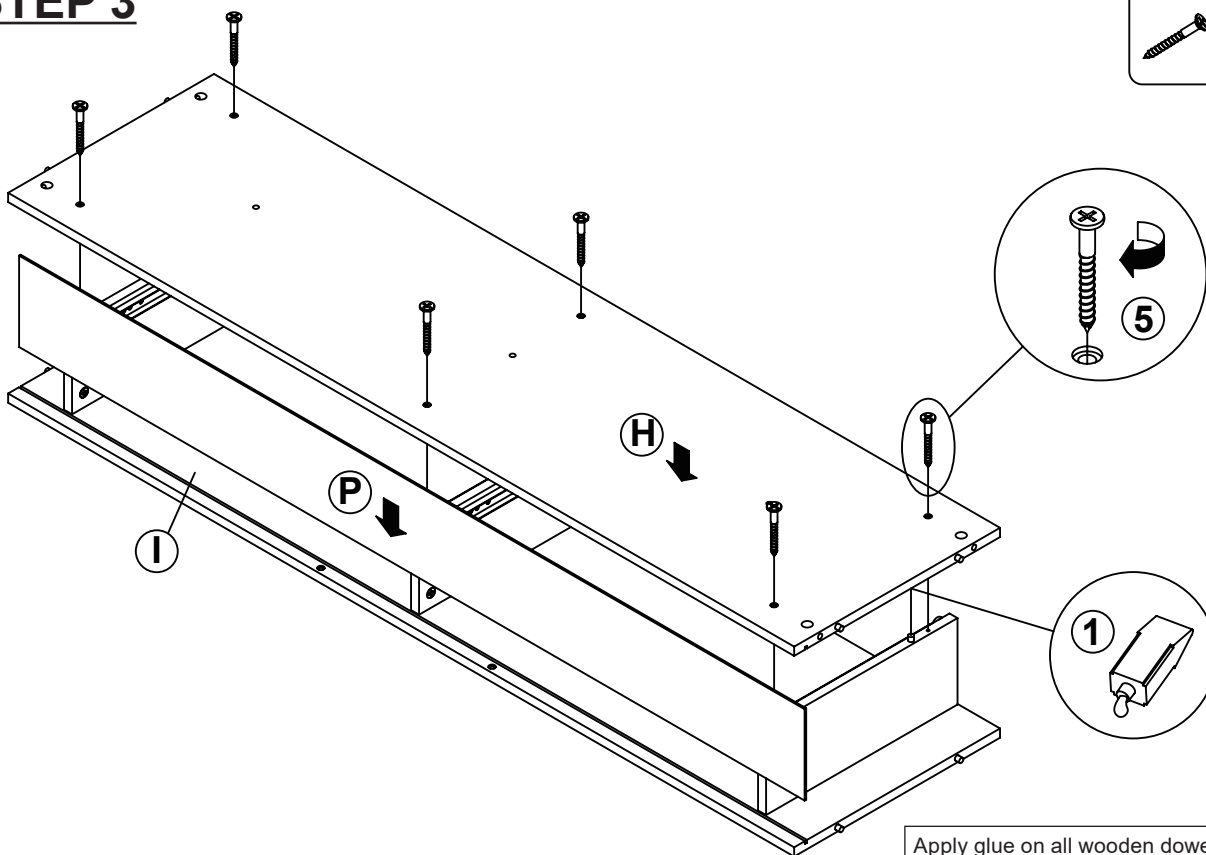
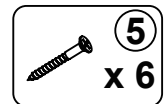
NOTE:

Phillips head screw driver is required in the assembly process; however, manufacturer does not provide this item.

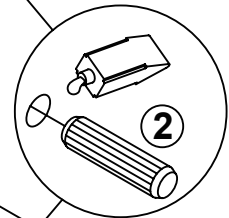
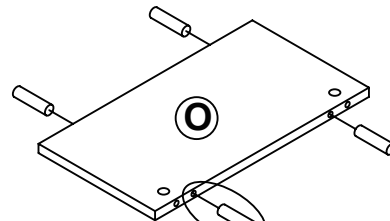
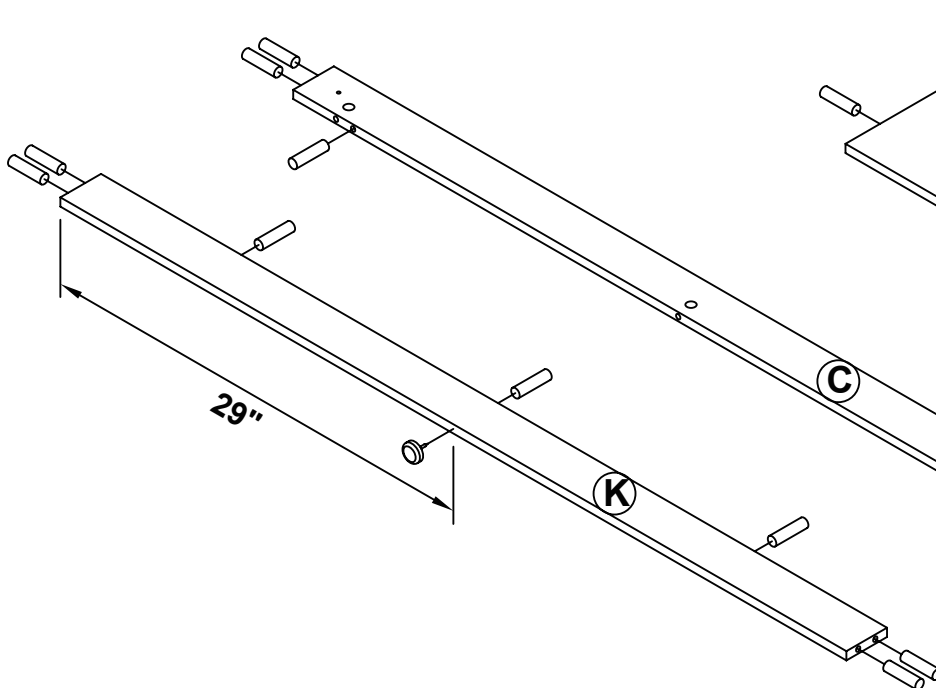
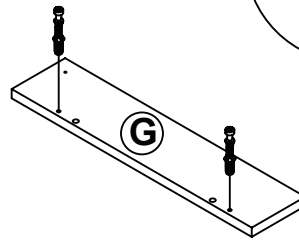
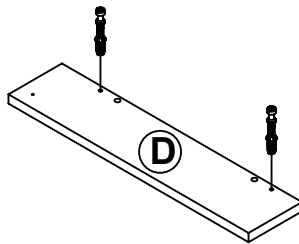
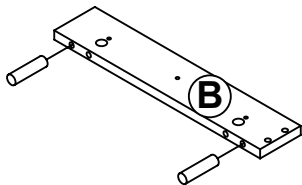
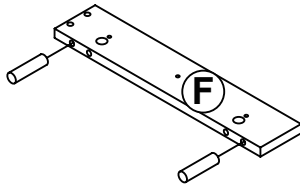
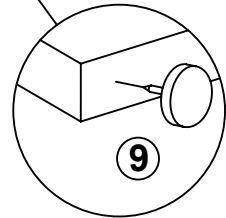
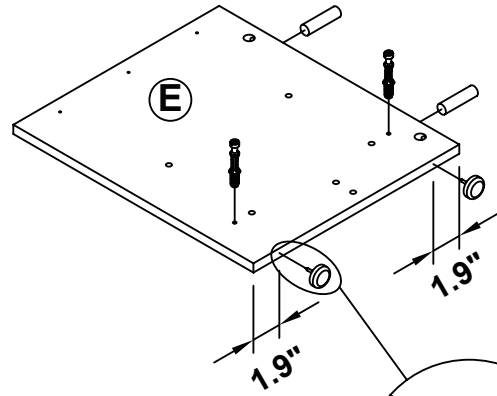
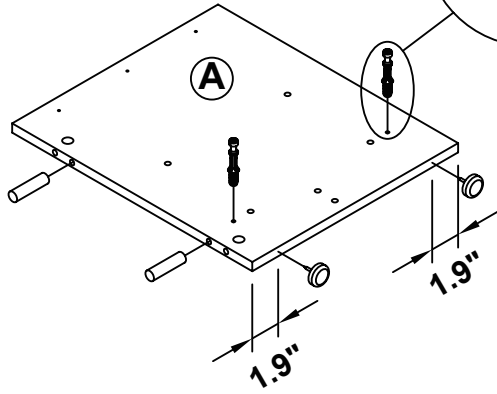
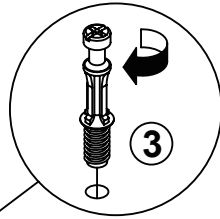
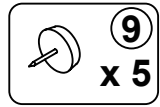
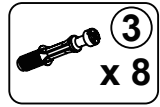
STEP 2



STEP 3

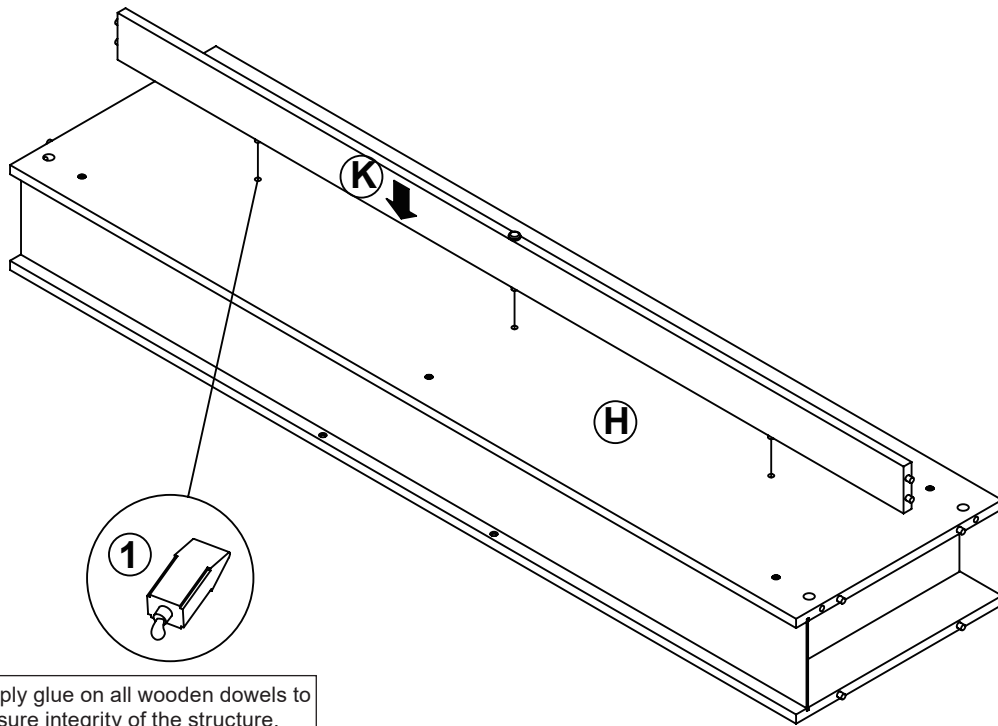


STEP 4

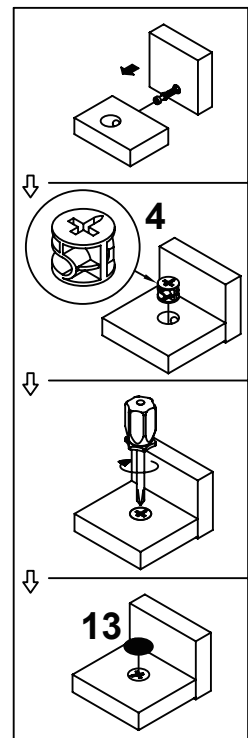
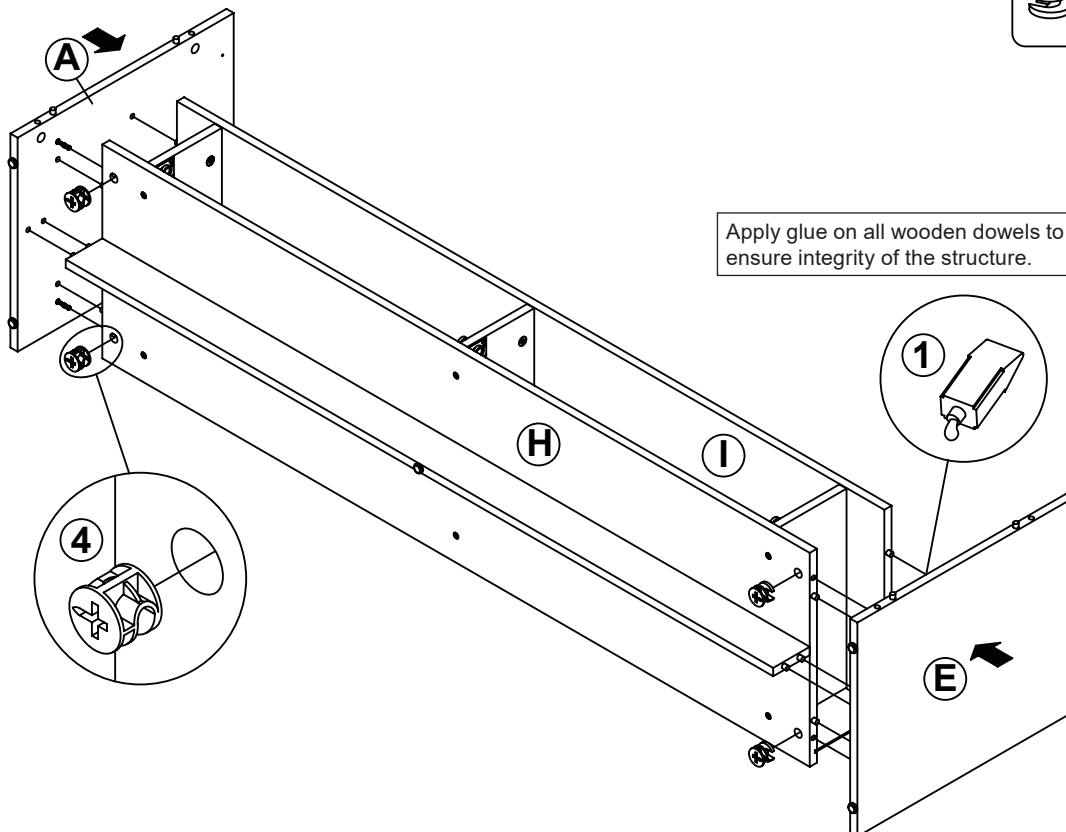
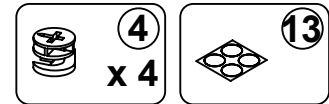


Apply glue on all wooden dowels to ensure integrity of the structure.

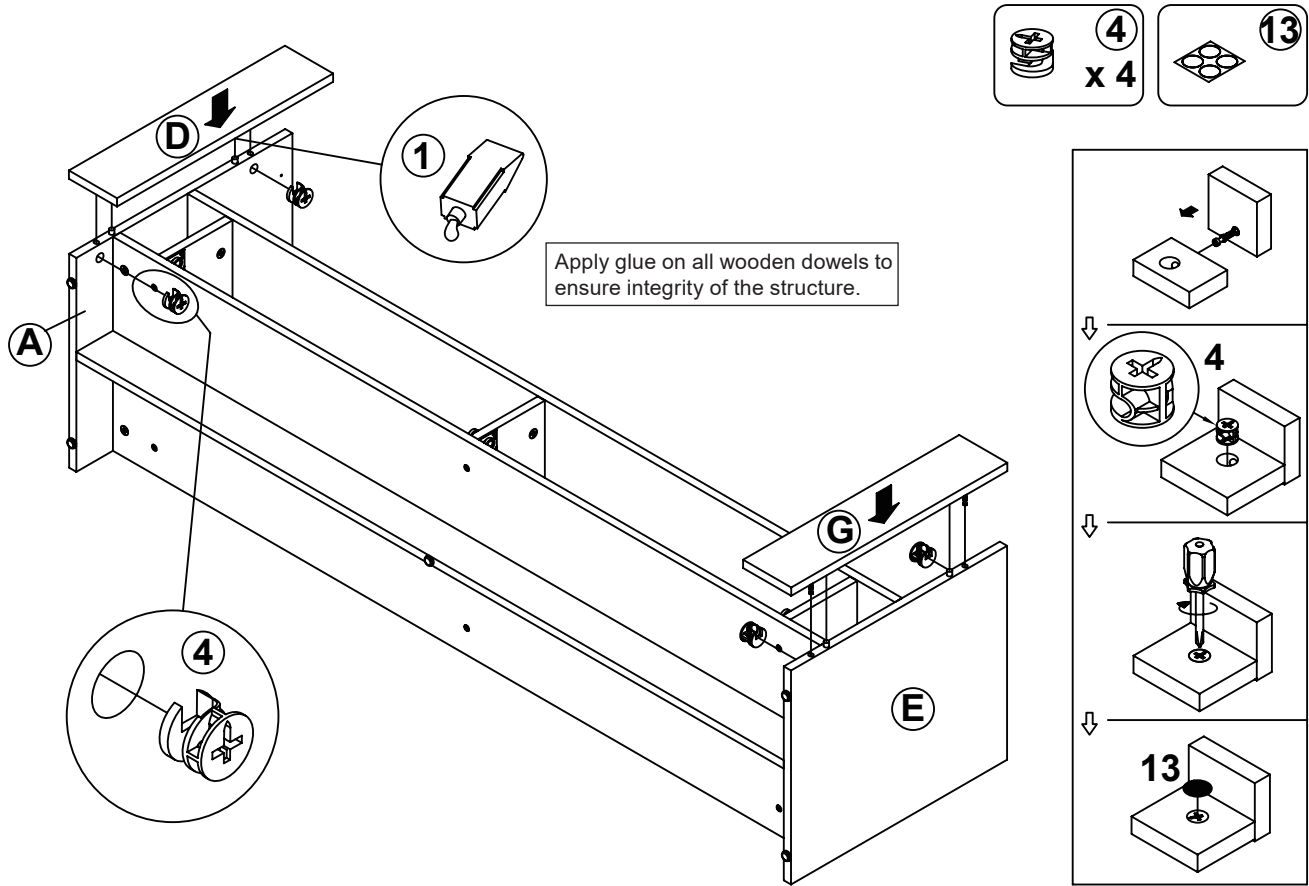
STEP 5



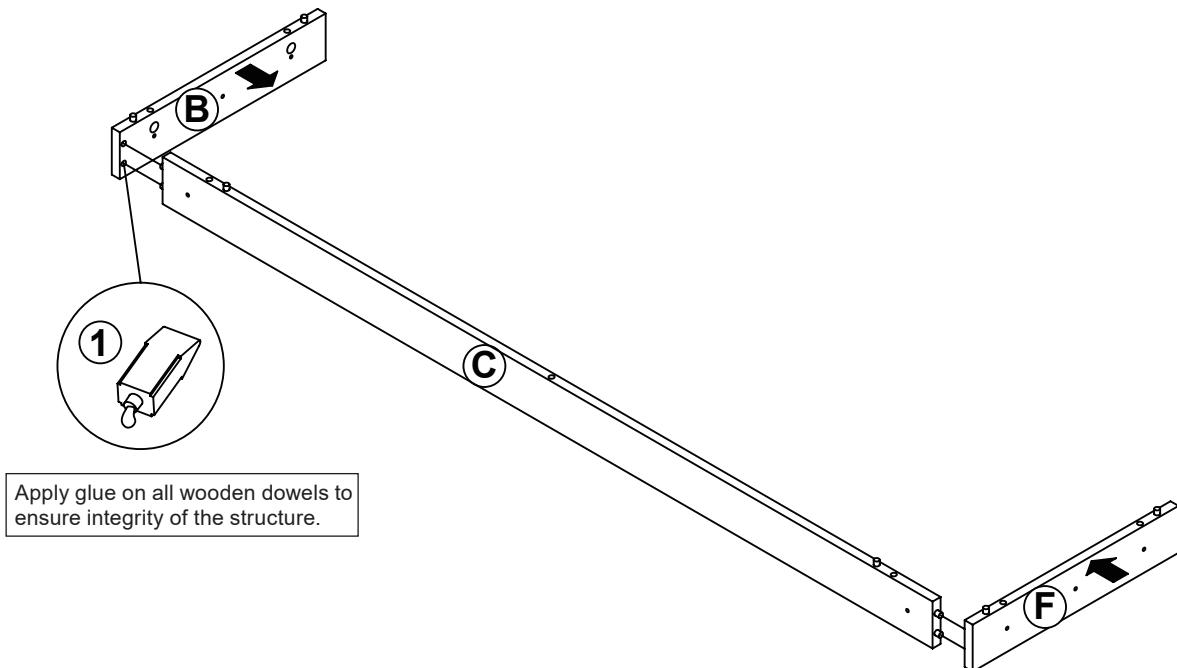
STEP 6



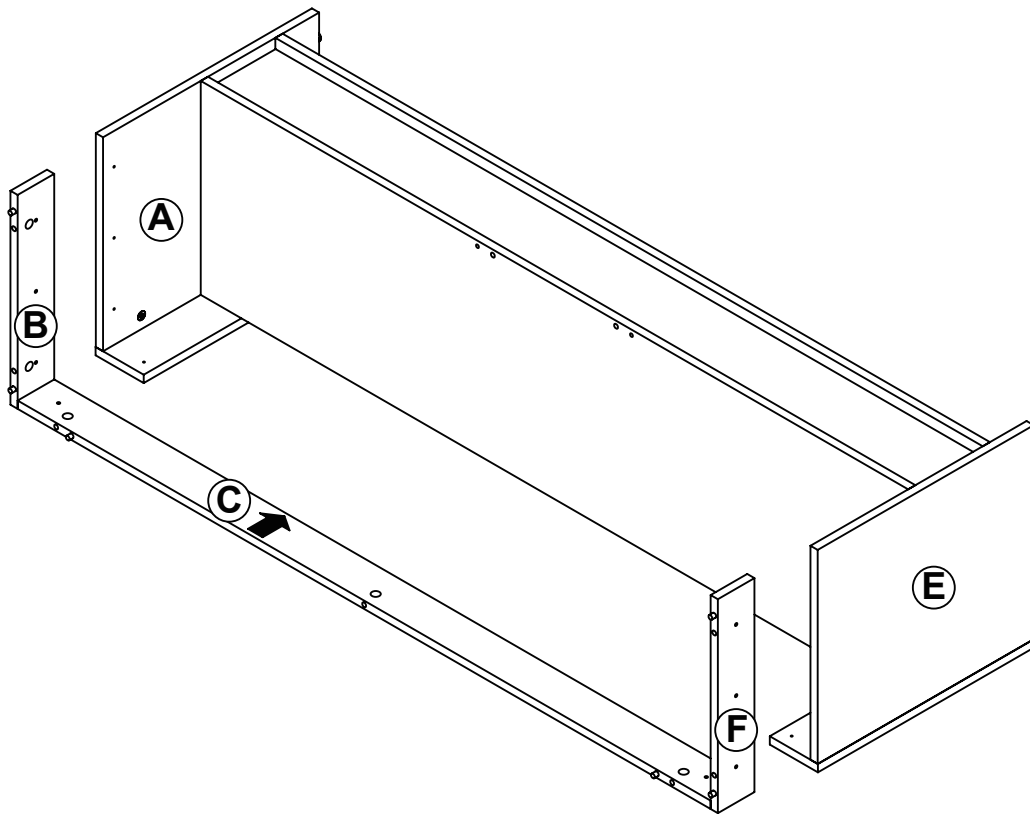
STEP 7



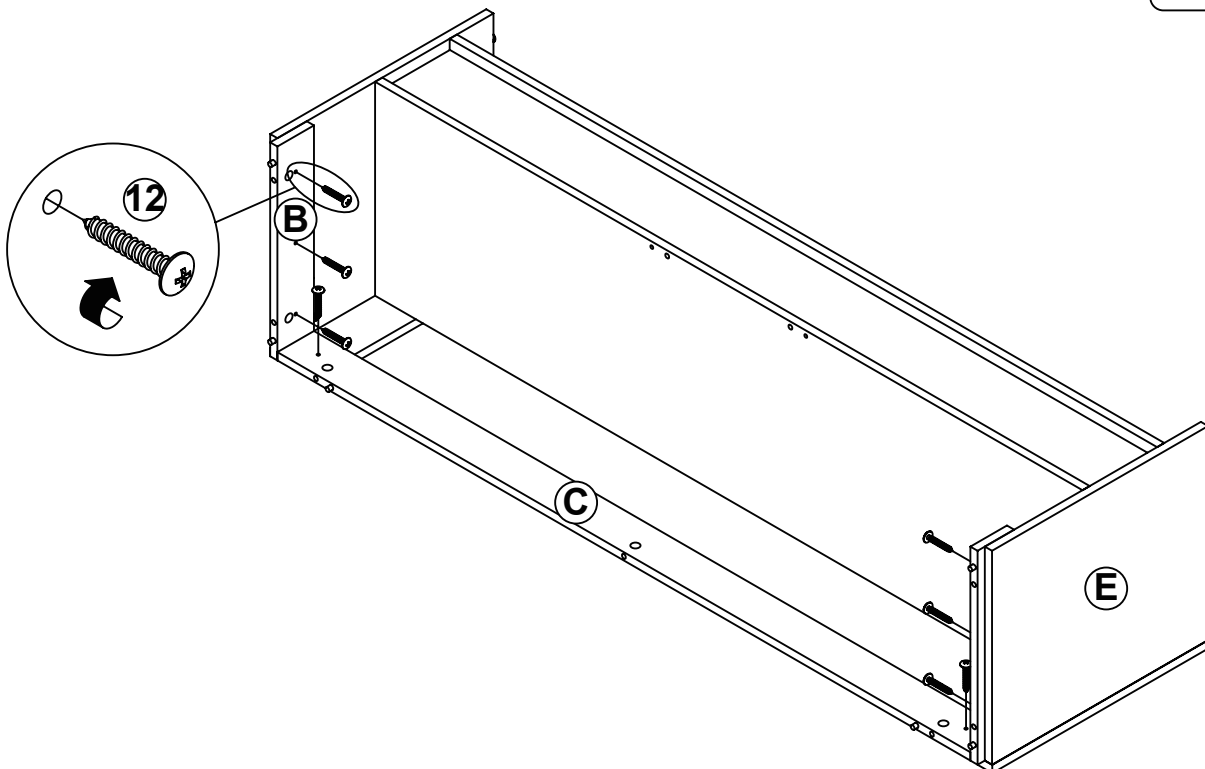
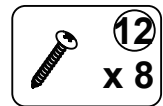
STEP 8



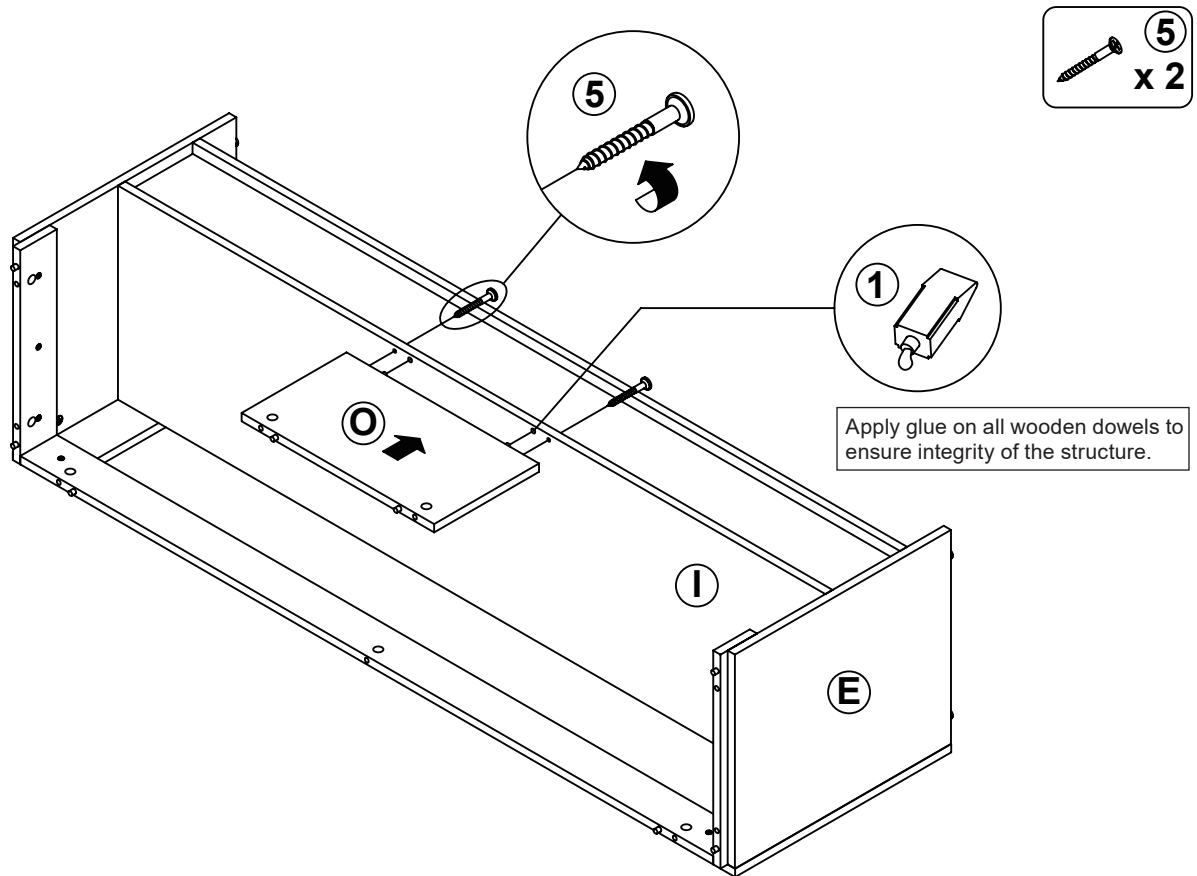
STEP 9



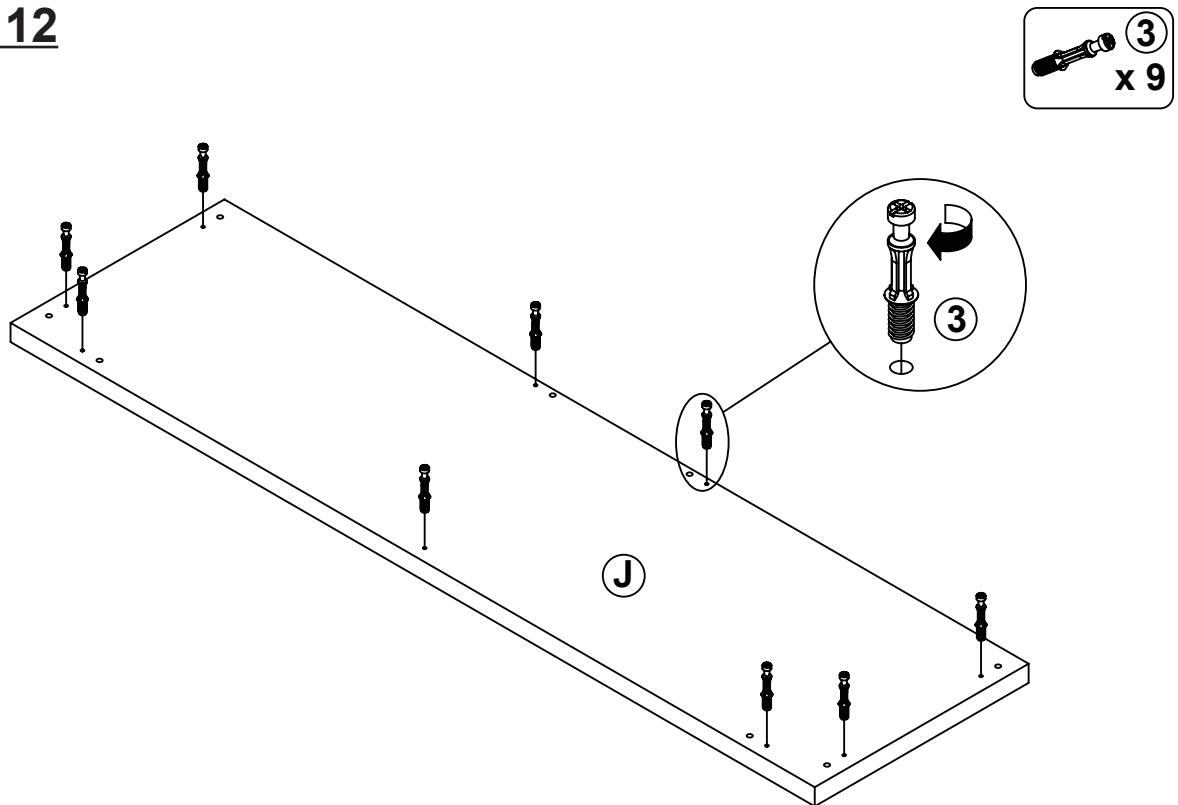
STEP 10



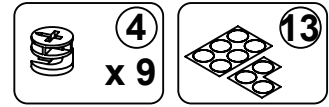
STEP 11



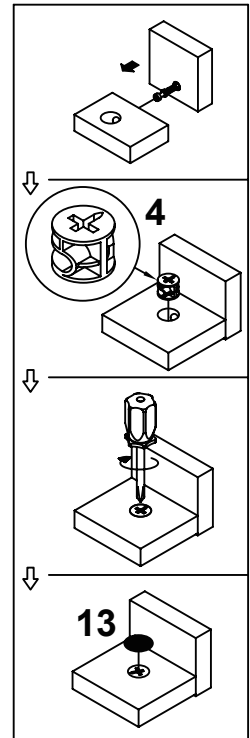
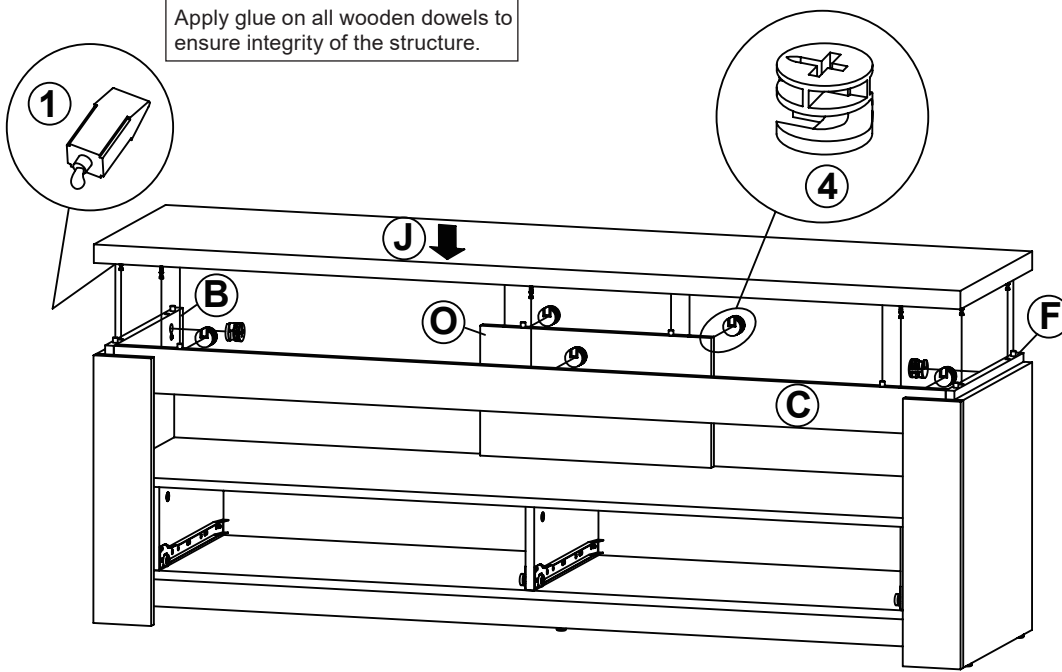
STEP 12



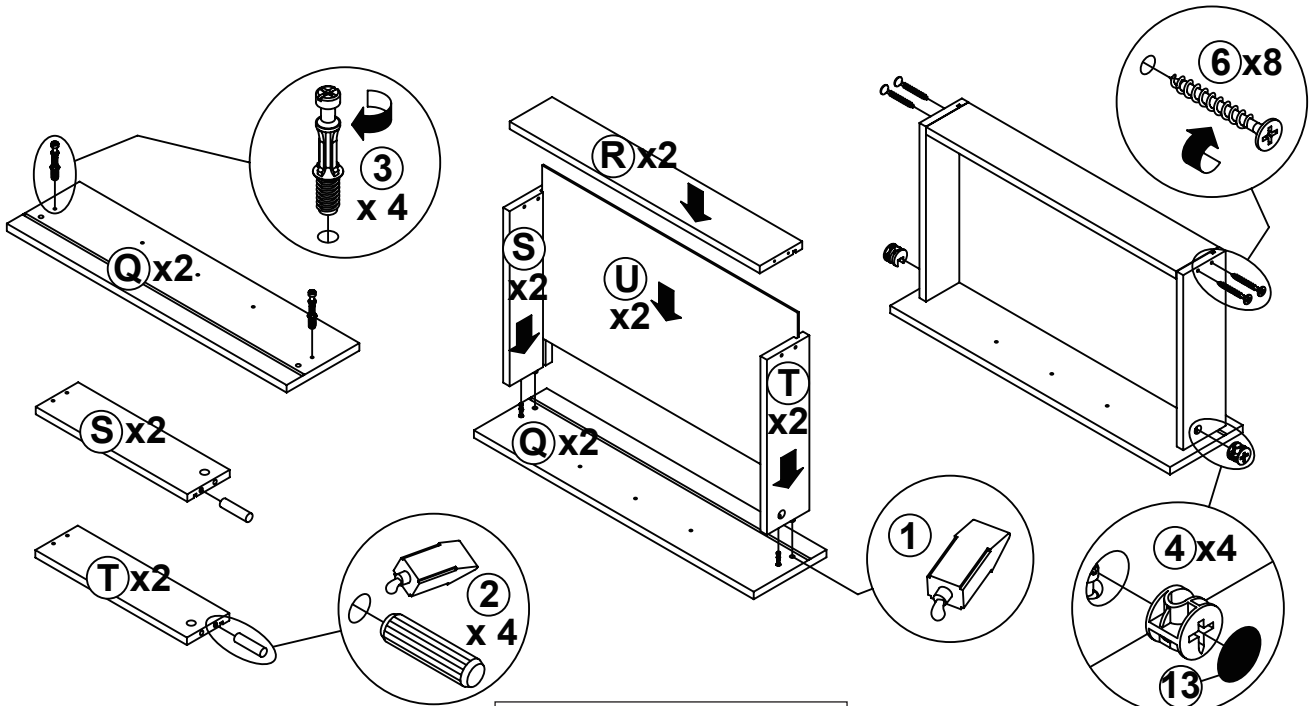
STEP 13



Apply glue on all wooden dowels to ensure integrity of the structure.

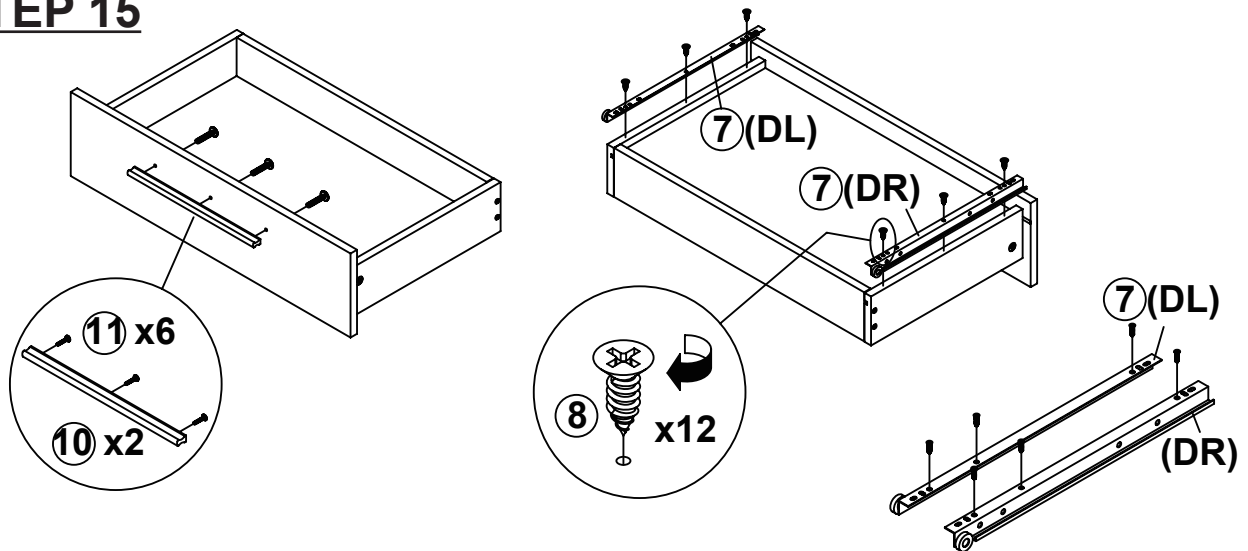


STEP 14

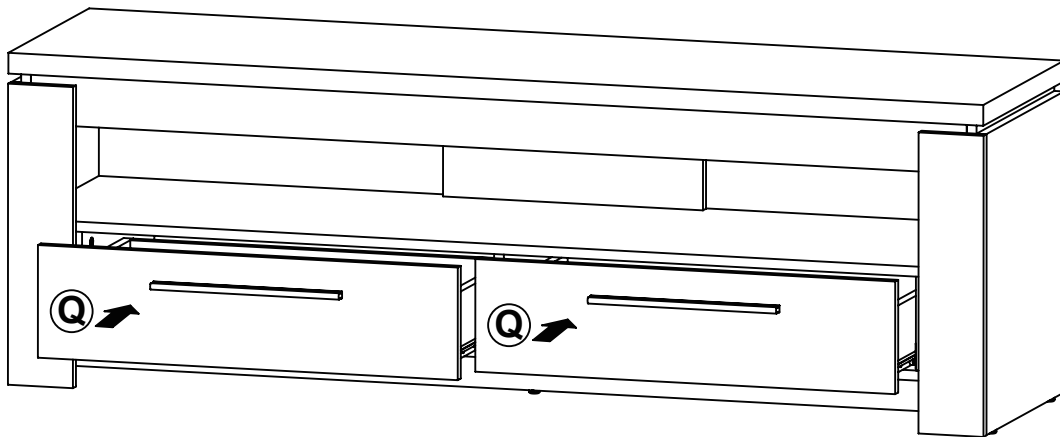


Apply glue on all wooden dowels to ensure integrity of the structure.

STEP 15

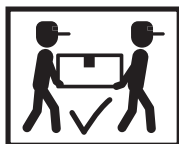
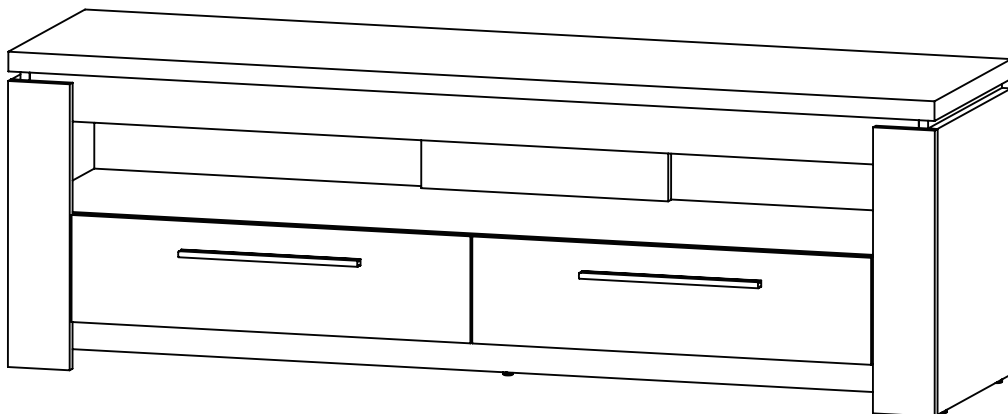


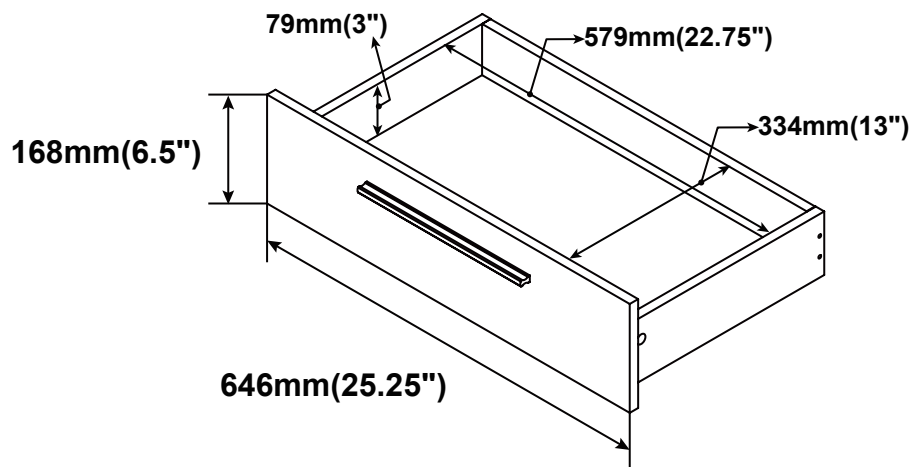
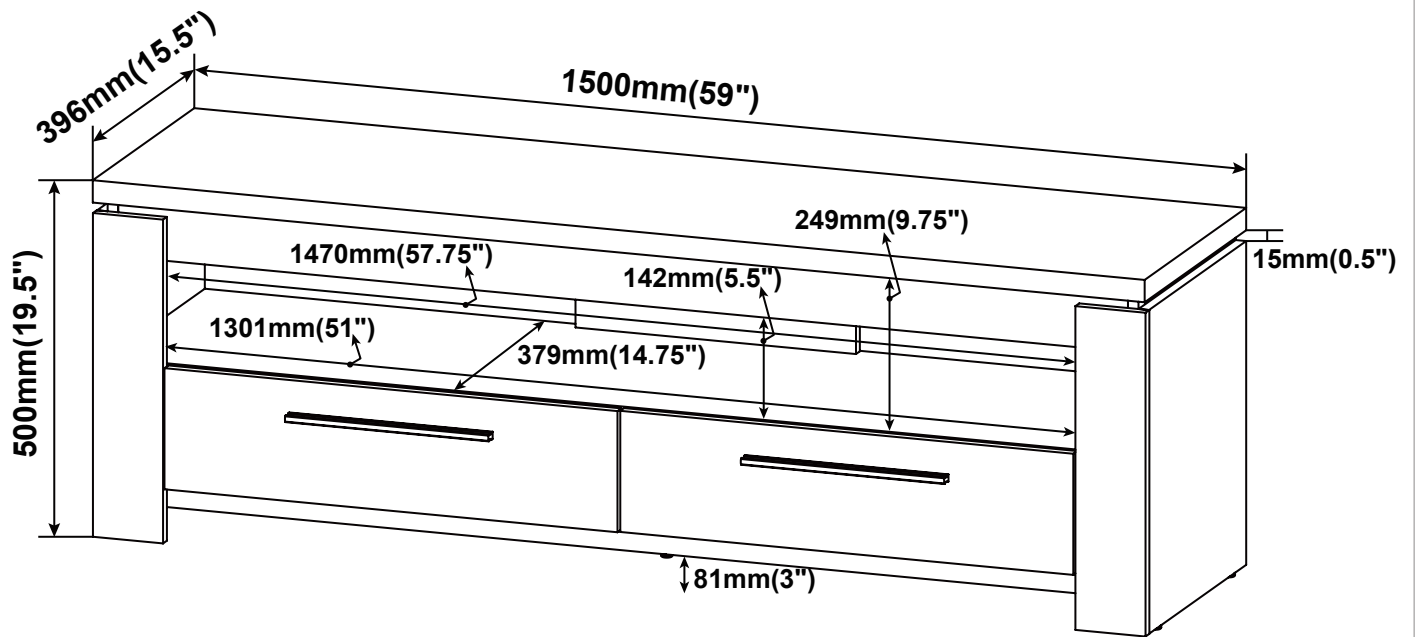
STEP 16



STEP 17

COMPLETE





Note : Dimension tolerance $\pm 5\%$