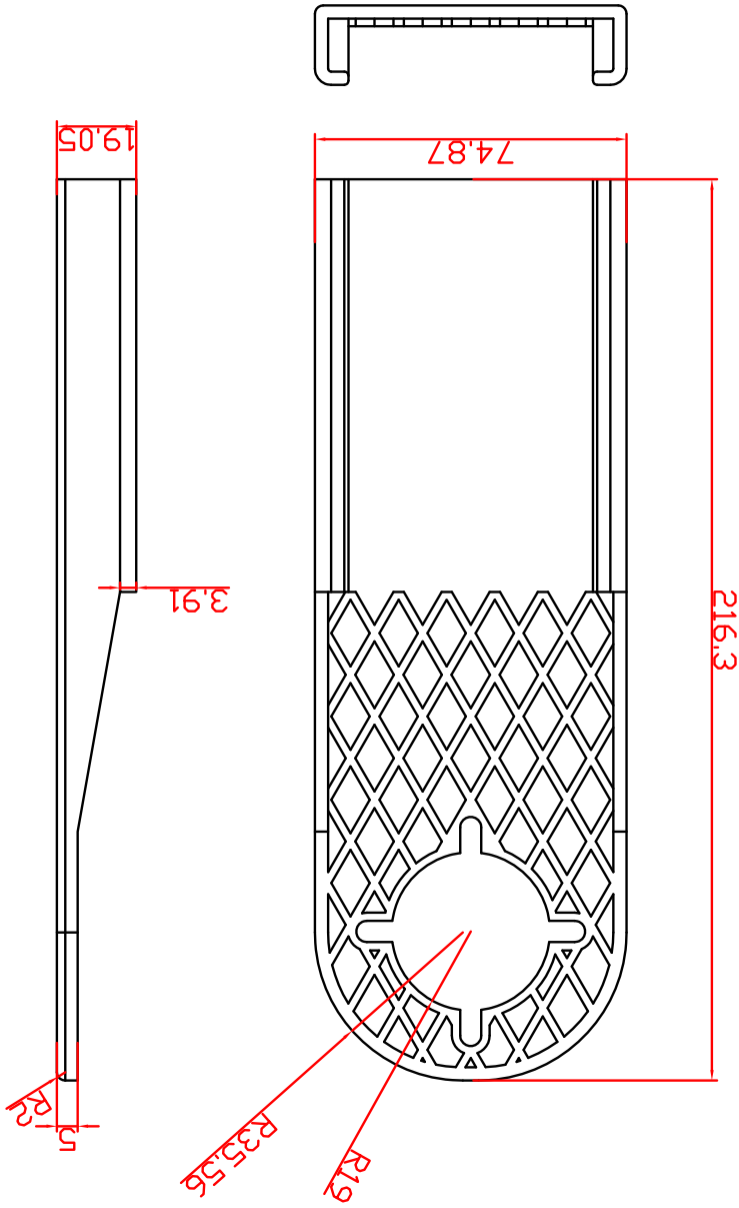
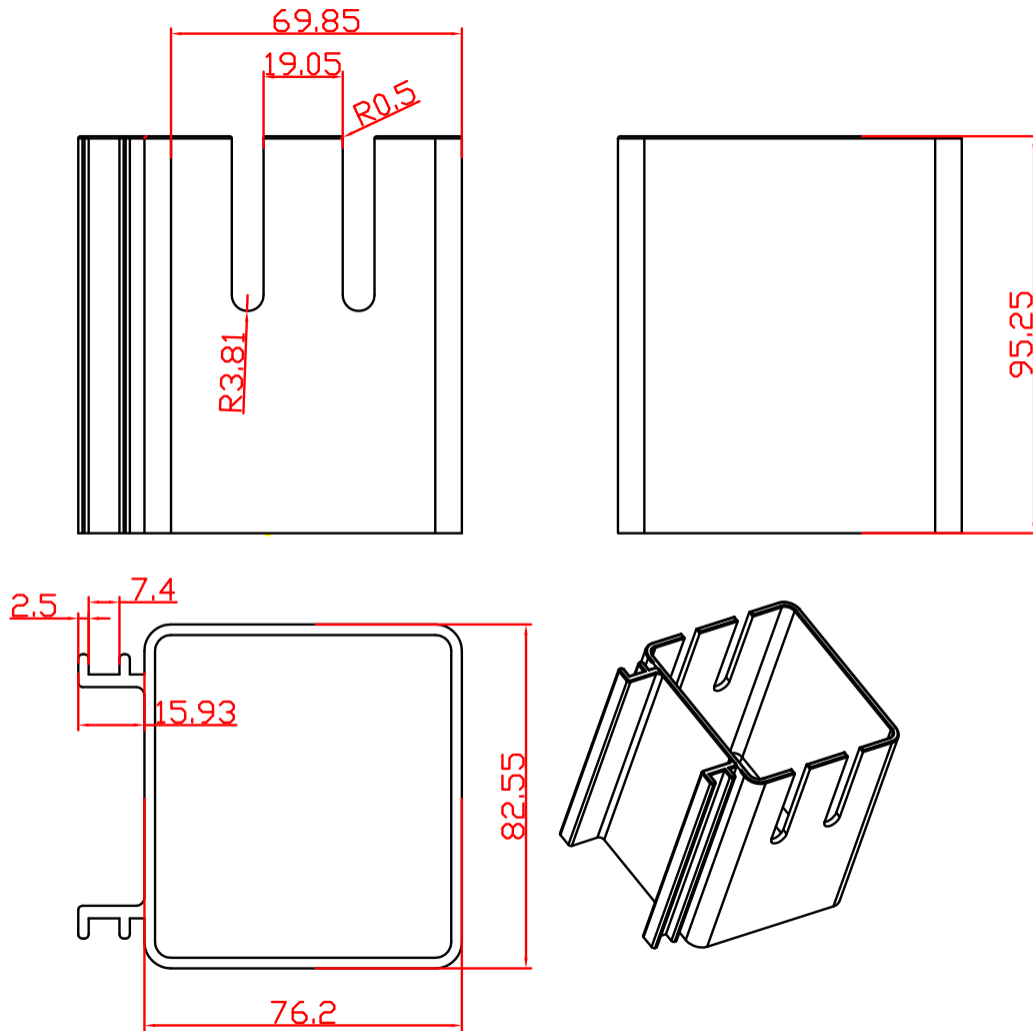


LockDok Bracket (in mm)



LockDok Cup (in mm)



Total Assembled Dimensions: 8 ½" High by 3 ¼" Wide by 3.75" Deep

Mounting Hole is 1 ½" Diameter

Made from High Grade Plastic

4 Weep Holes in bottom of cup for drainage

Designed for Internal Use Only

