

Floor Guide Installation Instructions

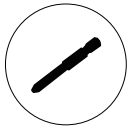
• Packing List

Part Name	floor guide	screws	lag bolt
Picture			
Quantity	1	2	2

• Installation Tools



Drill



Cross
screwdriver bit



Pencil



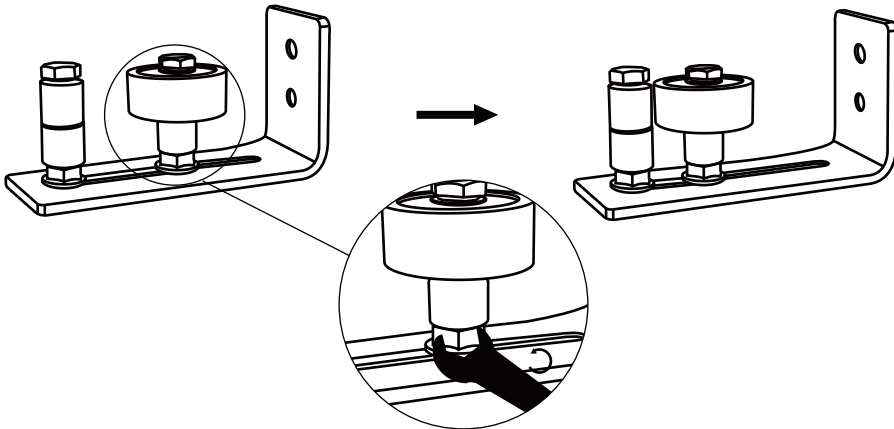
Safety
glasses



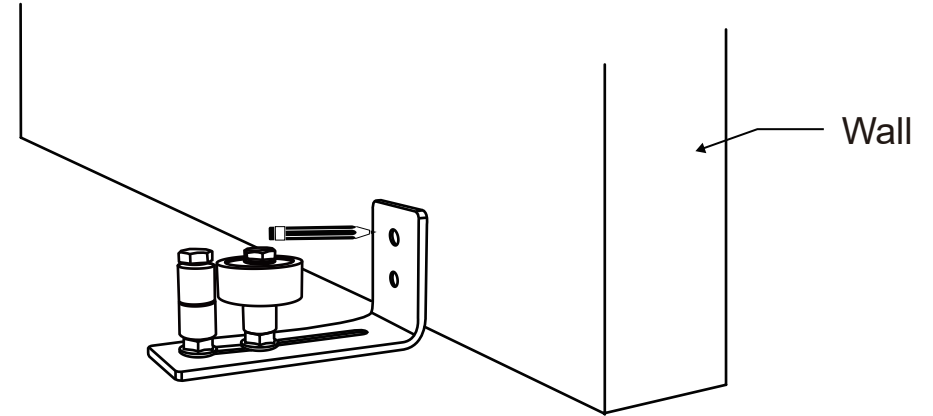
wrench

• Installation Step

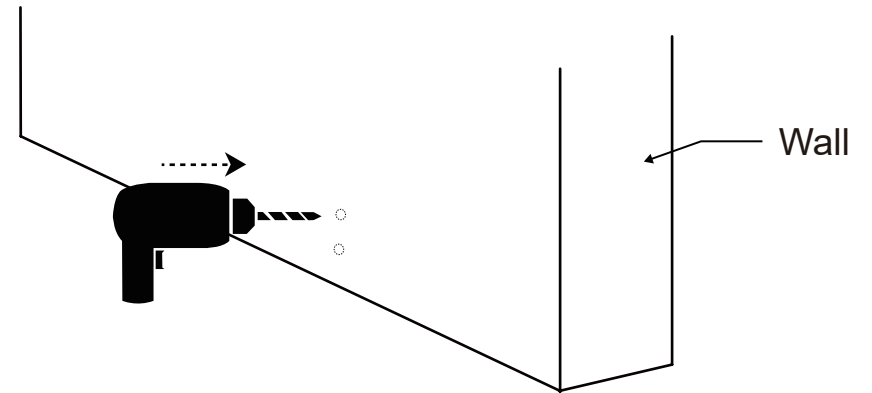
step 1:Get the tools you need before you started. Use the wrench provided to loosen the screw and push the two wheels to one side.



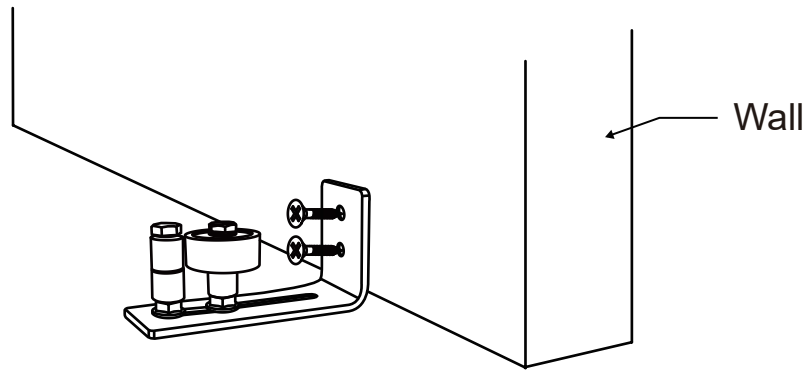
step 2:Hold the floor guide against the side of the wall and mark the location of the pallet holes.



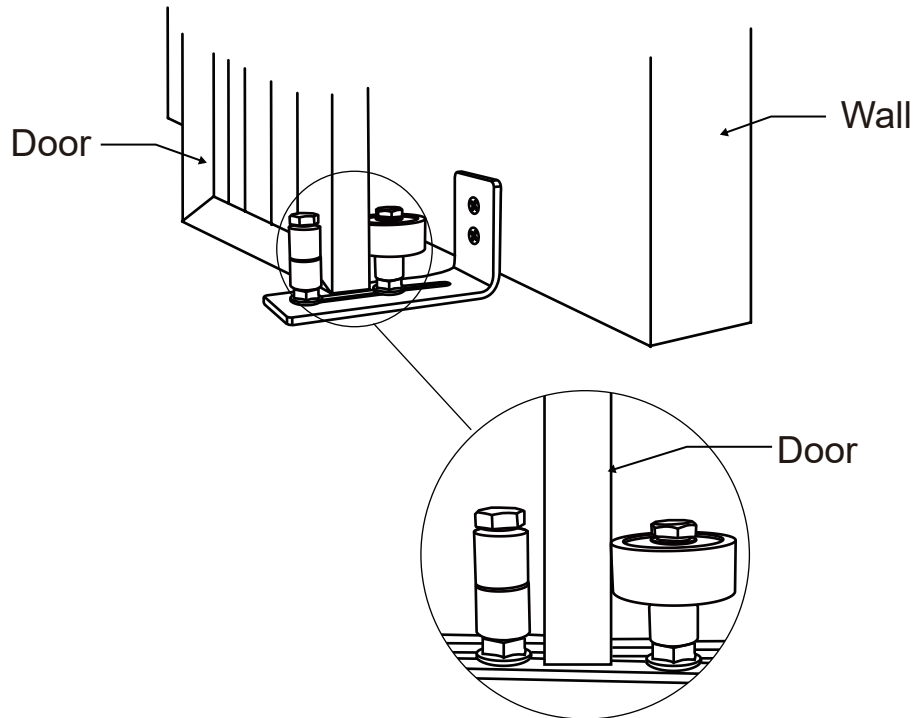
Step 3:Drill 2 pallet holes into the wall in the marked location with 1/8 inch drill bit.



step 4:Secure the striker bar on the wall with the screws.



step 5:Adjust the position of the wheel according to the door thickness. After adjusting, fix it with the wrench.



● **Adjustable Floor Guide** (8 setup options)

