

Instructions for Use

Thank you for purchasing this product. Please be sure to read these instructions carefully before use, assemble it correctly, and keep them properly for future reference.

For Safe Use

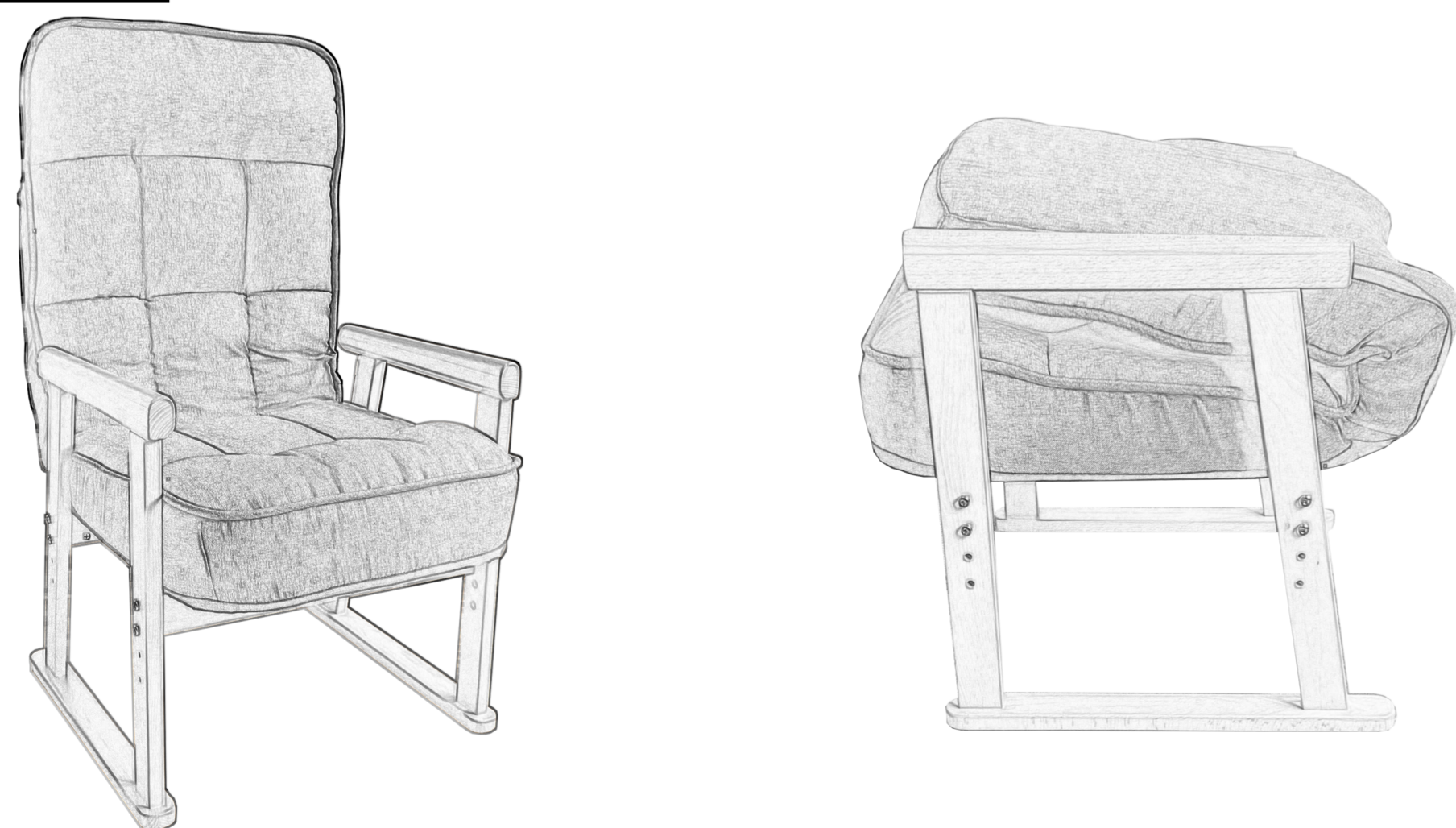


Caution

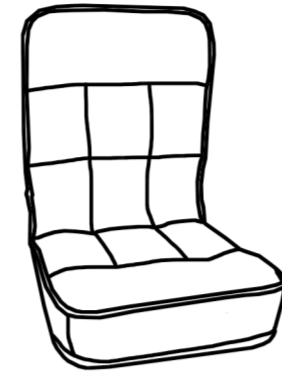
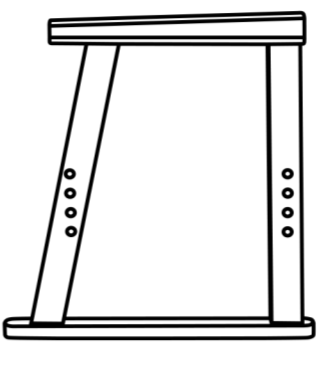

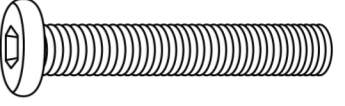
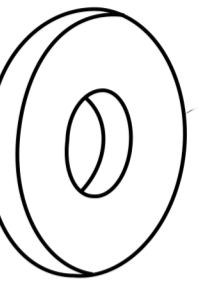
"Caution" indicates potential hazardous conditions that may cause minor or moderate injury if avoided.

- This product is for general household use only. Do not use for business purposes, as this may cause malfunctions, damage, or injuries.
- Do not use for purposes other than intended, as this may cause tipping over.
- Do not place uneven loads or heavy items exceeding the load capacity on the tabletop or shelf board.
- When moving, please remove all items inside and on top before proceeding.
- Please ensure that direct sunlight, heat, or strong winds from heating/cooling appliances do not hit directly. This may cause furniture to deform.
- Do not sit on the tabletop or shelves, move vigorously while seated, or push and play with them. They may break other objects or fall over, causing injury.
- Please place furniture on an even surface to prevent tipping over, which may cause injury or damage.
- Do not modify the product. It may cause injury due to tipping or damage.
- If you hear unusual sounds or feel shaking, please inspect thoroughly and ensure safety.
- This product may appear different in color depending on the viewing angle.
<Care and Storage Instructions>
- If the screws loosen during use, tighten them securely again.

Finished product image



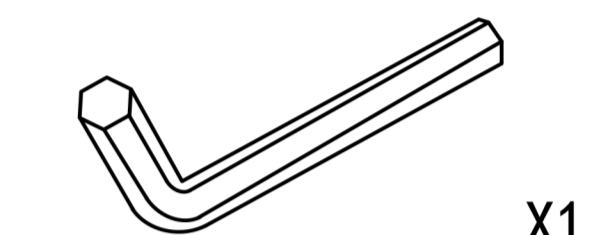
Assembly Instructions

	①	②	③	④	⑤
	Seat	Side Frame	cross bar	Bolt	Washer
Parts	 X1	 X2	 X2	 X4	 X4

TIPS:

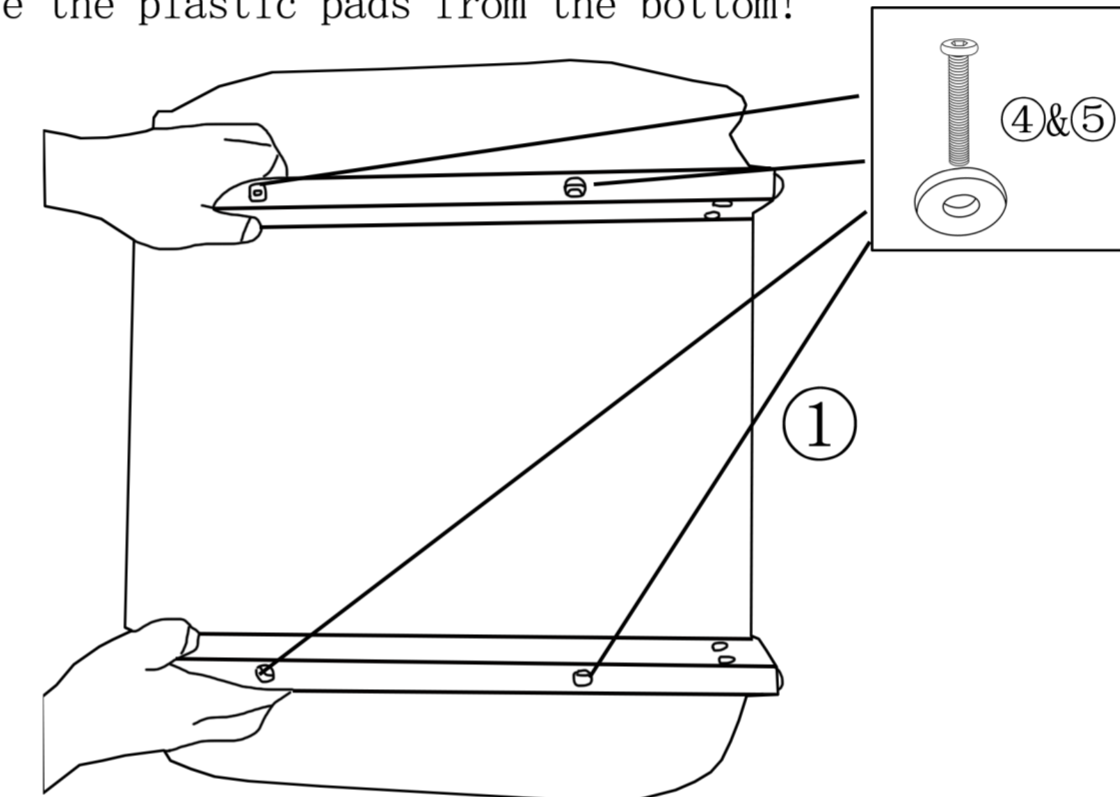
Please confirm the quantity of parts before assembly.

Tighten the screws lightly at first, correct any misalignment, and then tighten them firmly.

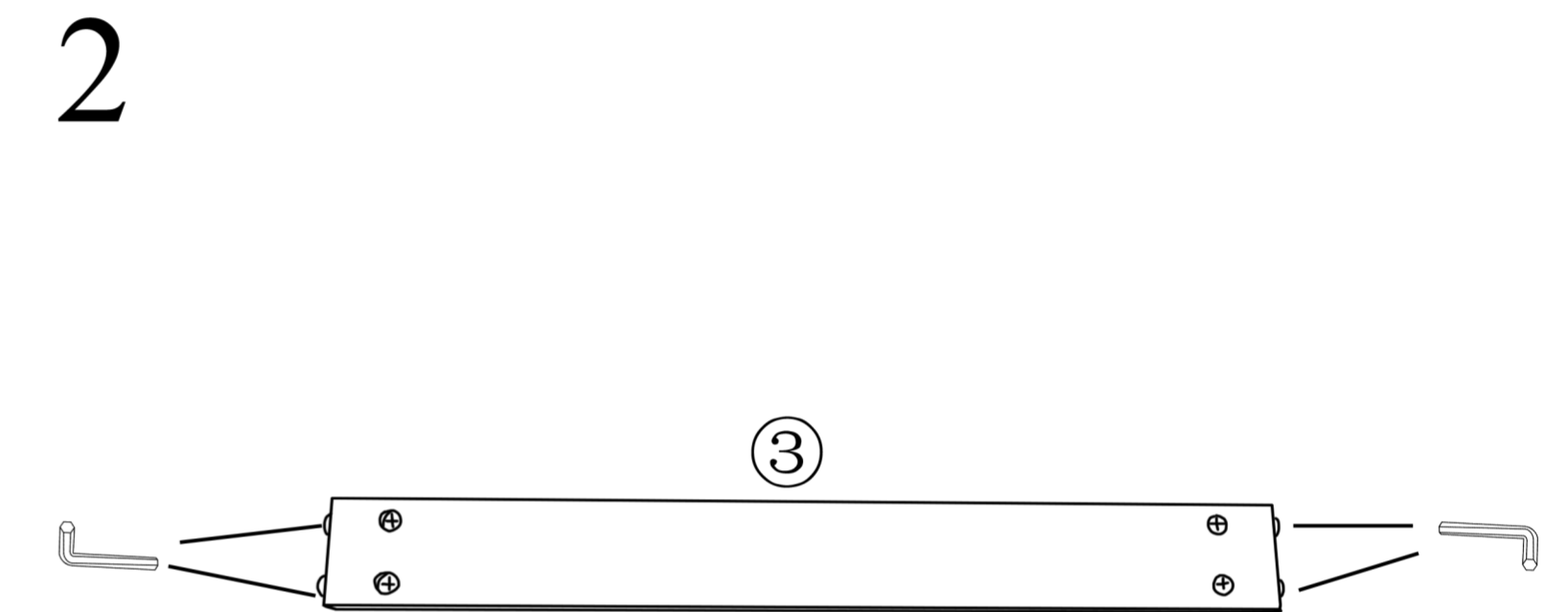


X1

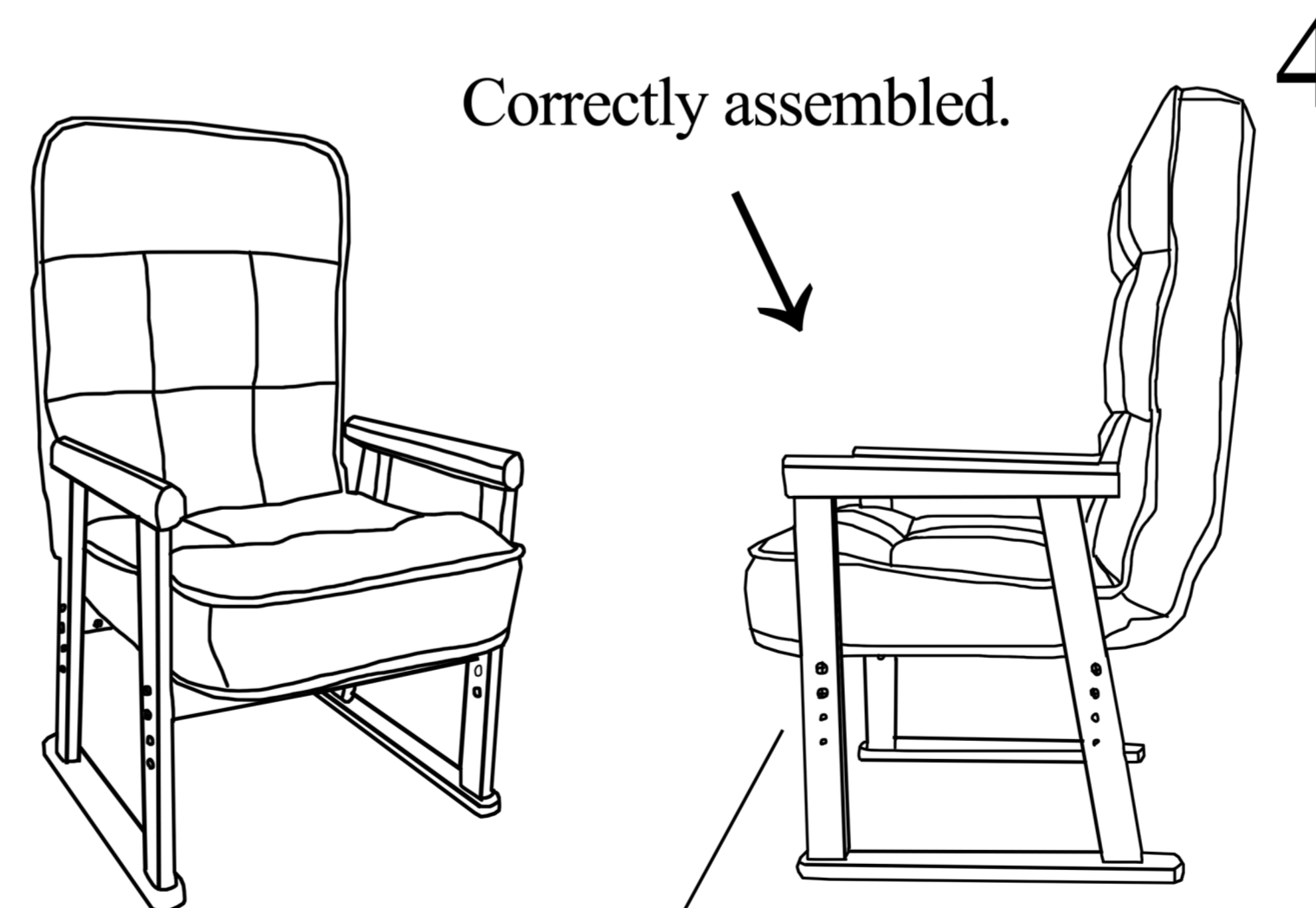
Tip: First remove the plastic pads from the bottom!



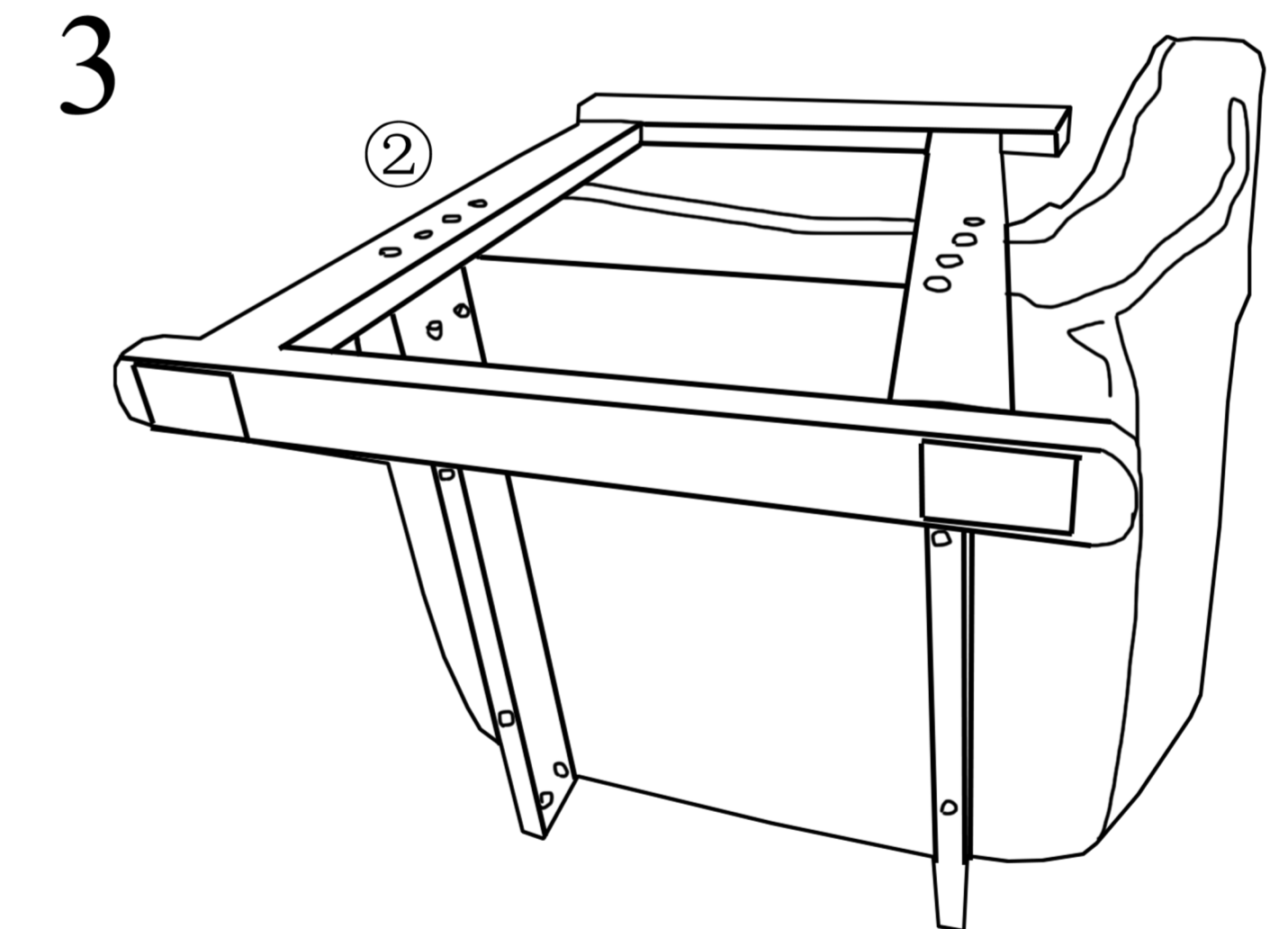
Insert the bolt through the washer and into the hole on the side of the cross bar. Use a hex wrench to slightly tighten and fix the bolt to the bottom of the seat cushion.



Remove the bolts and washers that come pre-attached to the outer sides of the two cross bars.



Note: Install the side frames in the correct orientation. Otherwise, the unit may tip over and cause danger.



Align the holes on the side frame with those on the crossbar at your desired height, then put the removed bolts and washers back in and tighten them.