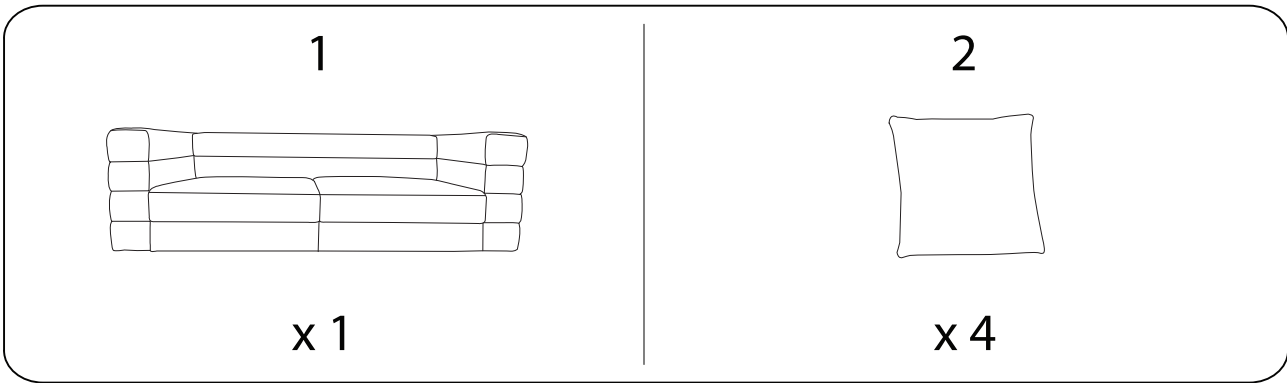
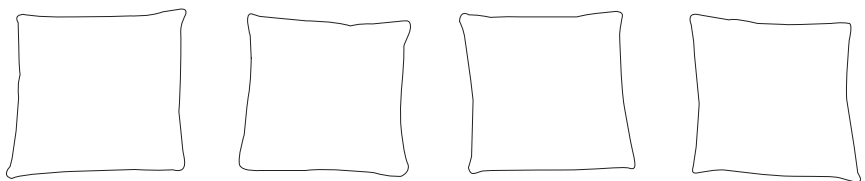


Diagram illustrating assembly instructions and safety warnings:

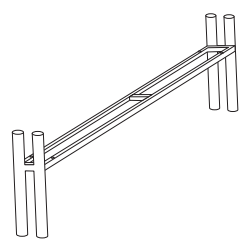
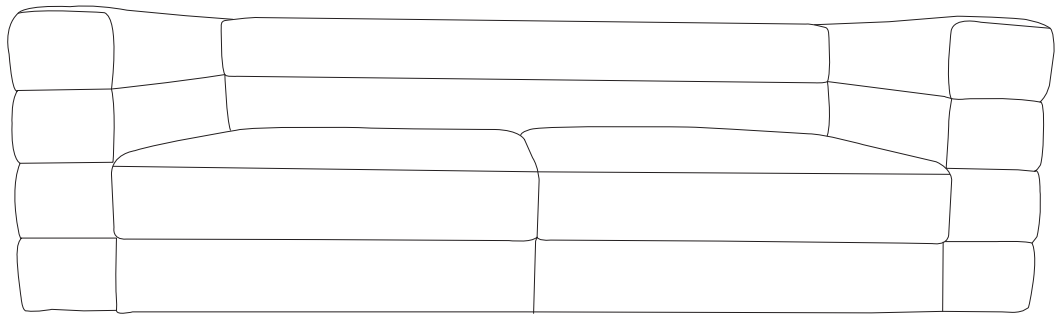
- Warning 1:** A warning triangle with an exclamation mark is shown next to a box containing an L-shaped metal bracket and a power drill with a diagonal slash through it, indicating that a power drill should not be used for this step.
- Warning 2:** A second warning triangle with an exclamation mark is shown next to a box containing a rectangular block being placed on a surface and a diagram of a block being cut by a saw with a diagonal slash, indicating that cutting is not required.
- Time:** A clock icon is shown next to the text "20'", indicating a 20-minute assembly time.
- Personnel:** An icon of a person is shown next to the number "2", indicating that two people are required for assembly.



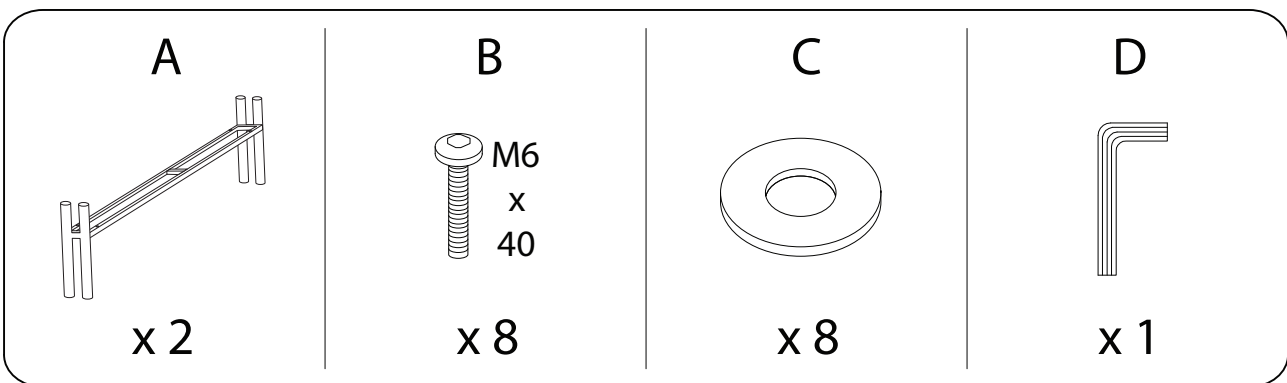
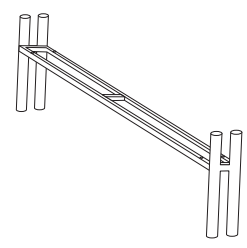
2 x 4



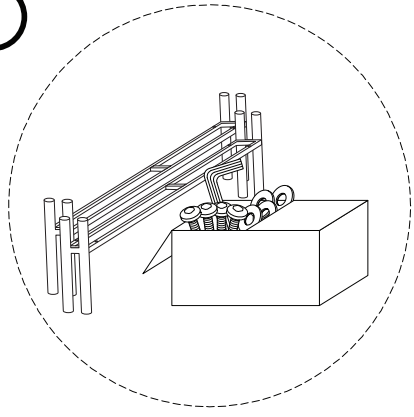
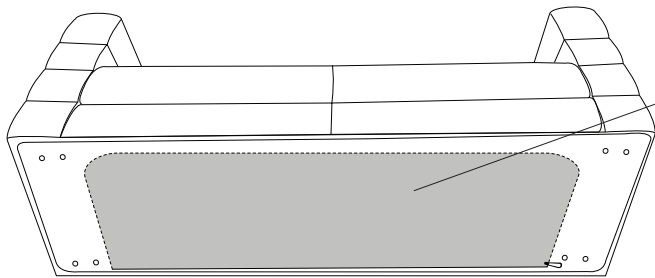
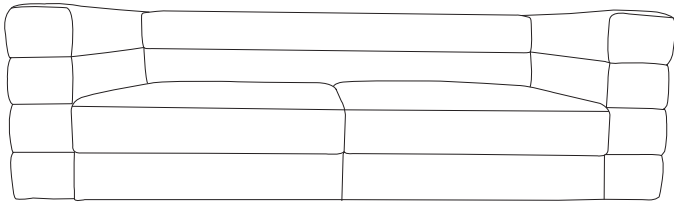
1




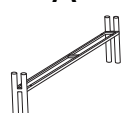


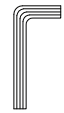
A x 2

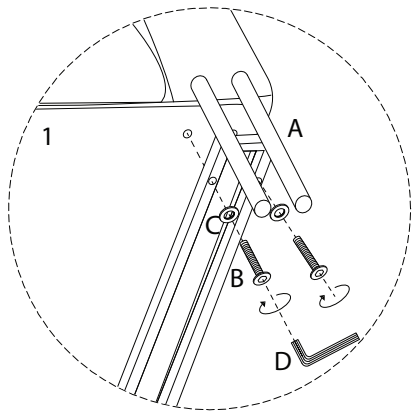
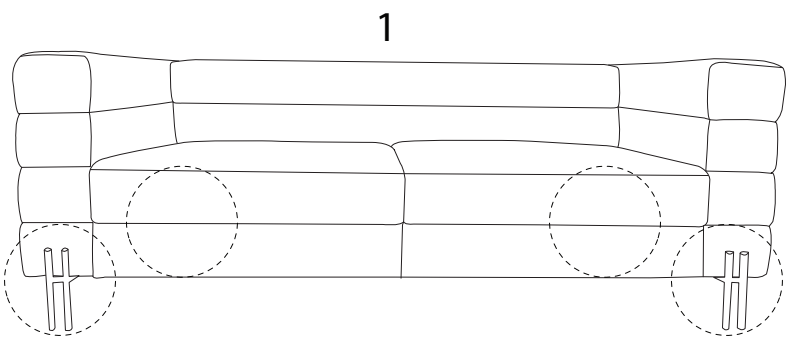


!

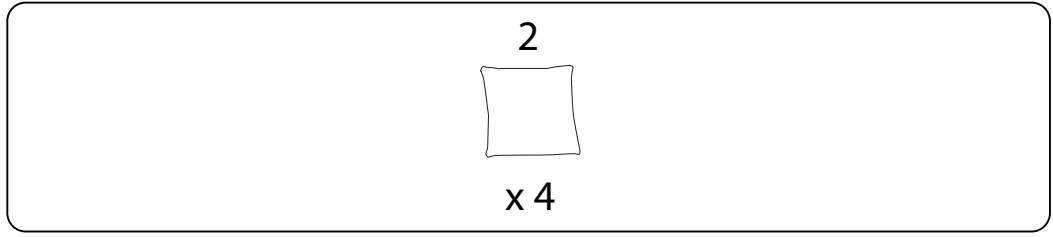


1

| | | | | |
|--|--|---|--|--|
| 1  x 1 | A  x 2 | B  M6 x 40 x 8 | C  x 8 | D  x 1 |
|--|--|---|--|--|



2



2

2

2

2

