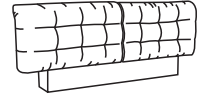
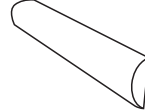
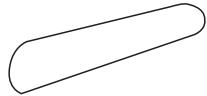



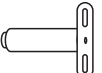
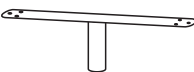

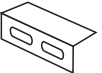



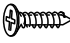
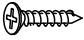



NO	PARTS LIST		QTY
A	HEADBOARD		1PC
B	BED FRAME		2PCS
C	FOOTBOARD		1PC
D	FABRIC		1PC
E	SLAT		1PC

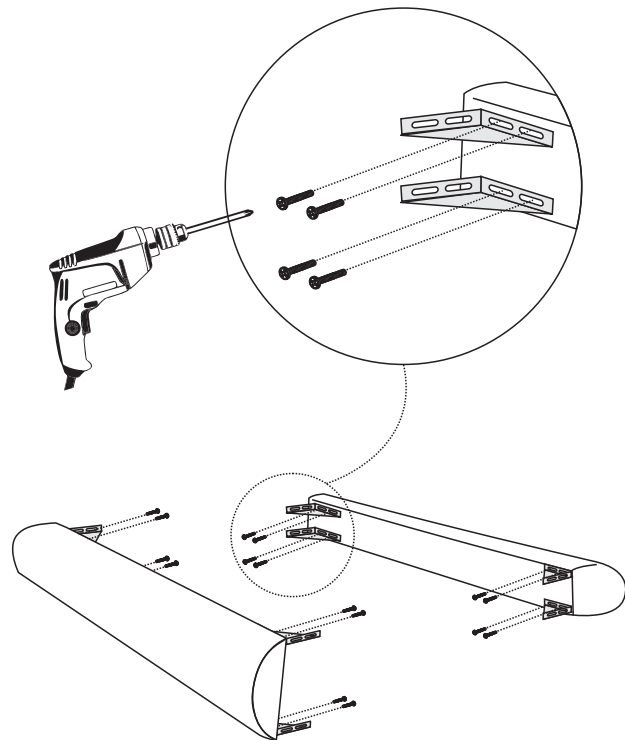
NO	HARDWARE LIST	QTY
B1		6PCS
B2		2PCS
B3		2PCS



NO	HARDWARE LIST	QTY
B4		8PCS
B5		3PCS
B6	 8*25mm	38PCS

NO	HARDWARE LIST	QTY
B7	 8*50mm	4PCS
B8		4PCS
B9	 2.5*30mm	24PCS

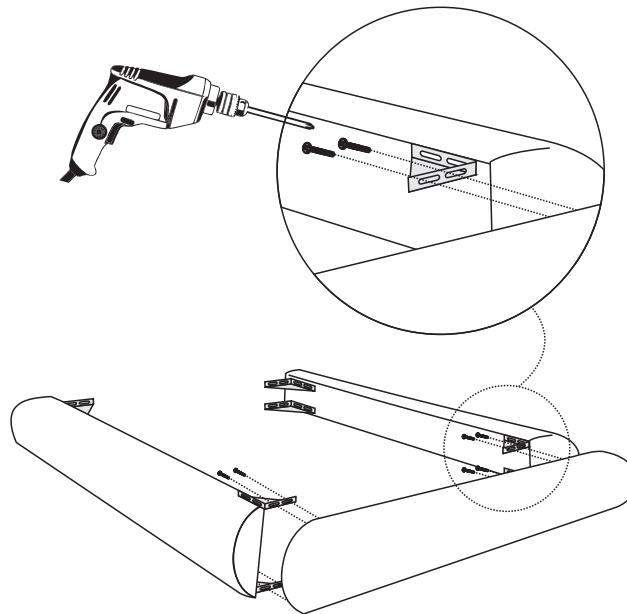
NO	HARDWARE LIST	QTY
B10	 3*30mm	36PCS
B11		8PCS


STEP 1



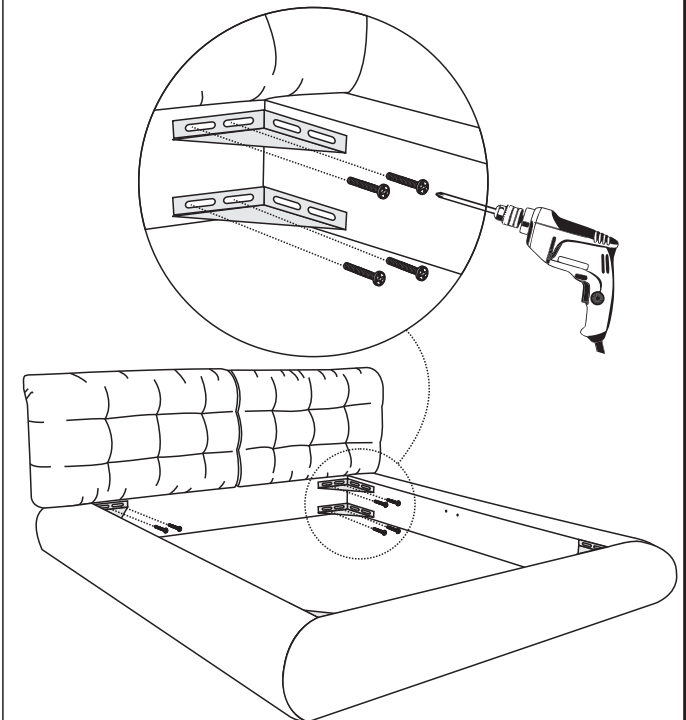
B4		8PCS
B6	 8*25mm	16PCS



STEP 2



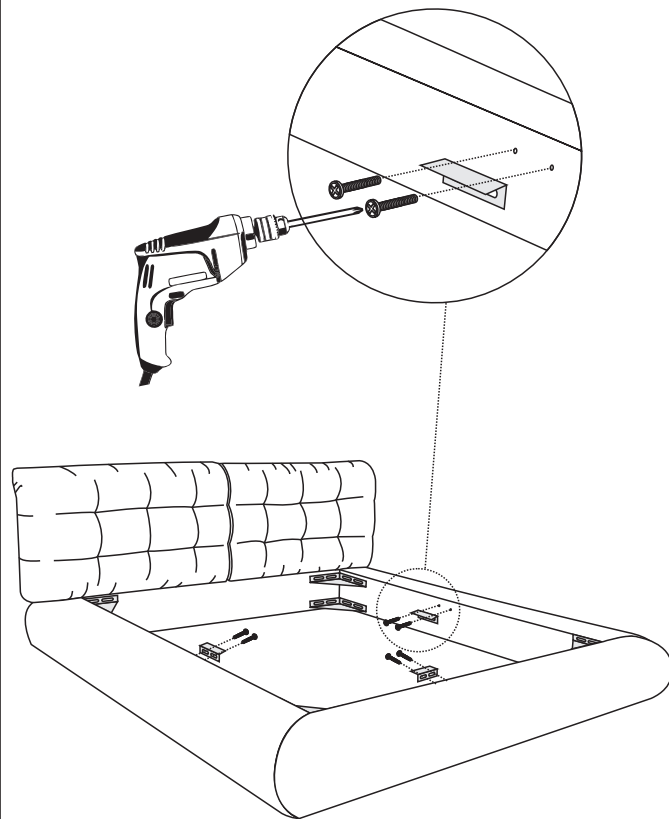
B6	 8*25mm	8PCS
----	--	------

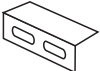

STEP 3



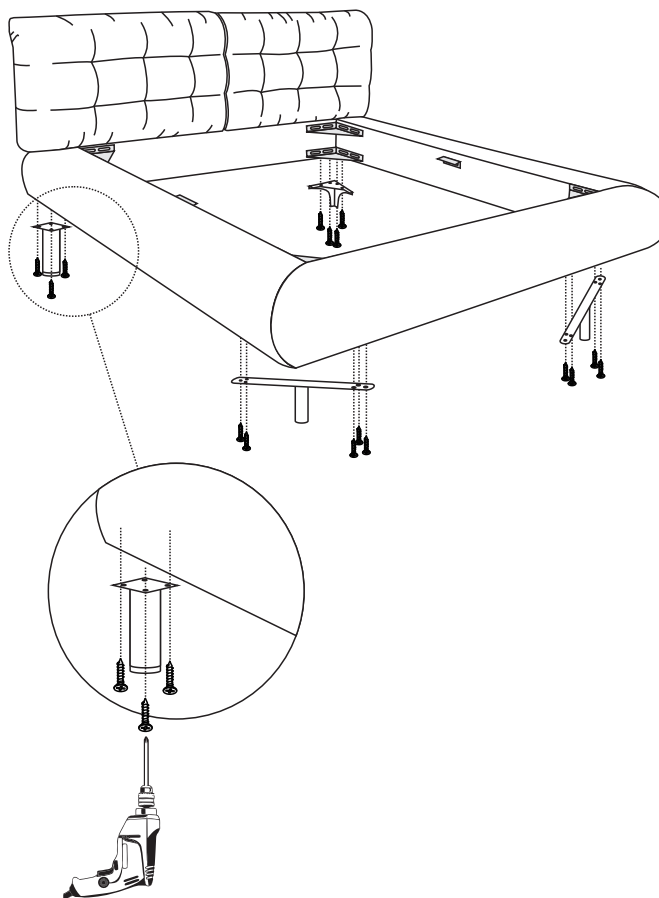
B4		8PCS
B6	 8*25mm	4PCS

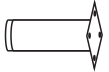

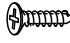
STEP4



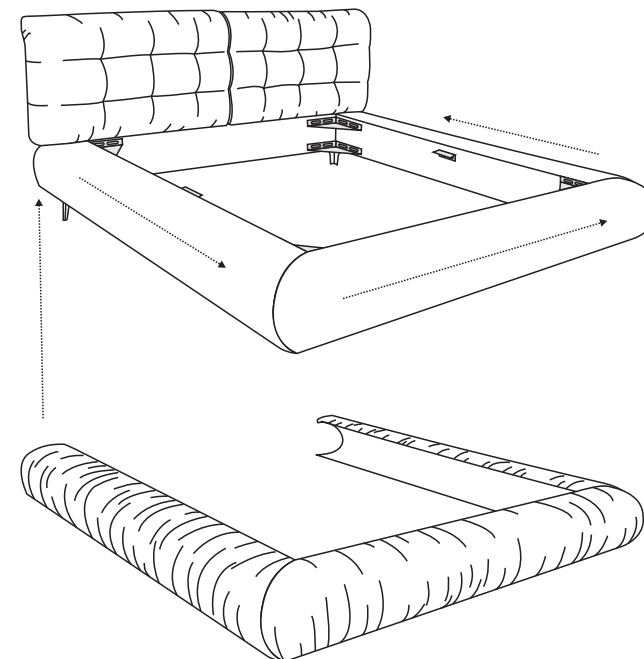
B5		3PCS
B6	 8*25mm	4PCS

STEP 5

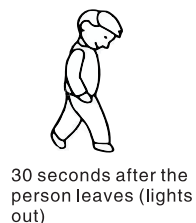
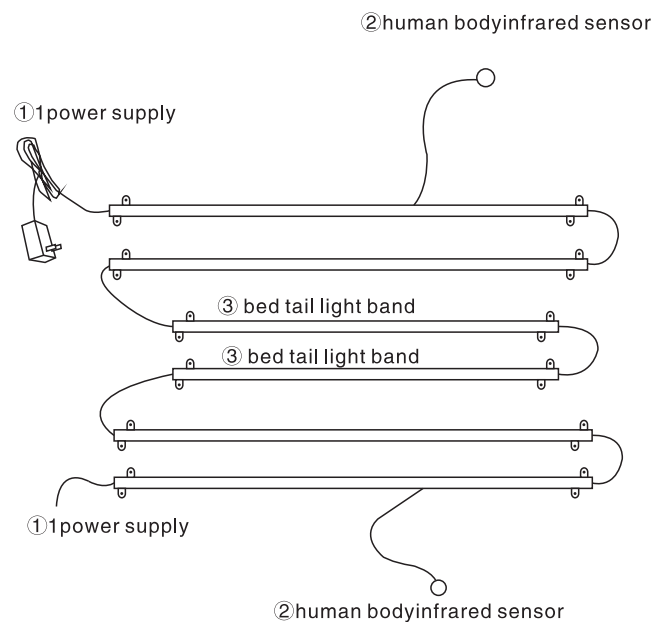


B1		2PCS
B3		2PCS
B9	 3*30mm	20PCS

STEP 6



STEP 7

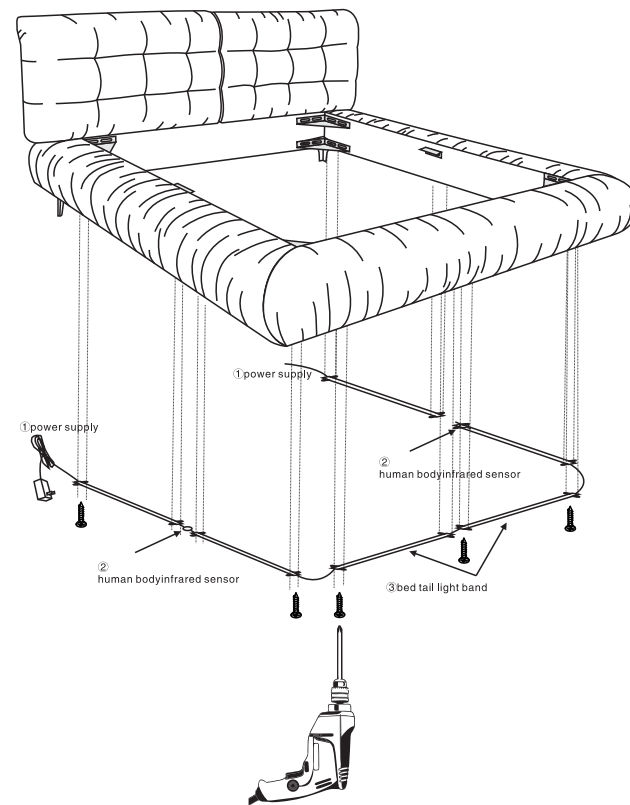



STEP 8

POINTS TO NOTE:

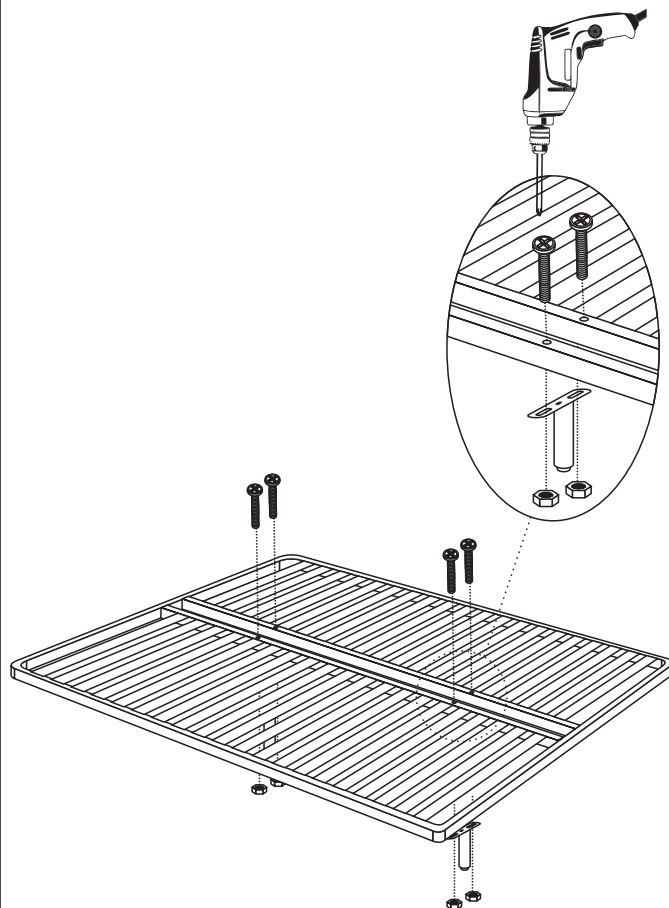
1. Before connecting the power, please check whether the connection between the two sides of the bed and the tail light connector is correct. If not, please reconnect it. Otherwise, short circuit fault (flashing or not lit) will occur. Therefore, it must not be connected wrongly.
2. Inductive probes should be installed in the middle of both bed beams, (The sensor is tilted 45 degrees outwards.)
3. After power up, all lights enter self-test mode: All the lights flash for one second and then turn off. Then the lights will turn on automatically when the user enters the sensor range. The lights will turn off automatically after 30 seconds after the user leaves.

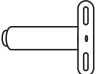


STEP 9



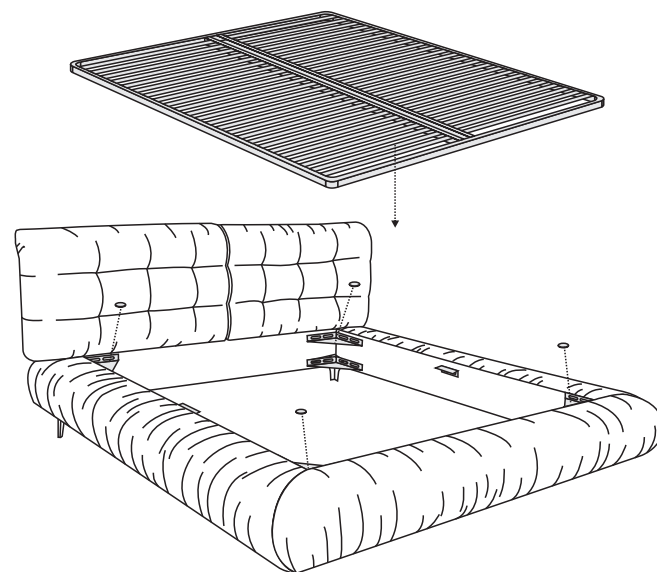
B9		2.5*30mm	24PCS
----	---	----------	-------


STEP 10



B2		2PCS
B7	 8*50mm	4PCS
B8		4PCS

STEP 11



B11		8PCS
-----	---	------

STEP 12

